

Keysight Technologies

Baseband Studio

N5102A Digital Signal Interface Module

The signals you need in the way you need them

Technical Overview



Unlocking Measurement Insights

Flexible Digital Test Stimulus



Figure 1. The interface module with the ESG and a single breakout board ready to be connected to a device under test.

The N5102A Baseband Studio digital signal interface module provides fast and flexible digital inputs or outputs for your E4438C ESG or E8267C PSG vector signal generator. In output mode, you can deliver realistic complex-modulated signals such as W-CDMA, 1xEV-DV, custom pulses, WLAN, TDMA and many others directly to your digital transceivers, components and subsystems. In the input mode, the interface module matches your digital input to the signal generator's baseband system, providing a flexible and calibrated way of upconverting to analog IF, RF or uW frequencies. The interface module adapts to your device with a wide variety of data formats, clock features, and signaling. With its selection of logic types and connector types, the interface module connects easily into your test system, in most cases eliminating the need for custom fixtures.

The digital signal interface module is just one of several Baseband Studio products. Keysight Technologies, Inc. Baseband Studio is a suite of baseband signal applications and accessories for the ESG and PSG vector signal generators that enhance Keysight's signal creation and signal generation tool set. For more details, see Additional Resources on page 8.

Key features

- Provides either digital inputs or digital outputs
- Flexible data formats
 - Variable 4 to 16 bit words on dual 16 bit buses
 - Serial, parallel, and parallel interleaved (DDR)
 - 2's complement and binary offset numbering
 - Selectable MSB or LSB
 - Digital IQ or digital IF1
- Flexible clocking
 - Up to 400 MHz in serial mode, 100 MHz in parallel mode
 - Provision for internal, external, or device clocking
 - Independent data input and output rates
 - Adjustable clock phase and skew
 - Up to four clocks per sample2
- Flexible signal interface
 - Low voltage TTL, CMOS (1.5 V, 1.8 V, 2.5 V, 3.3 V) and LVDS
 - Single cable connects signal generator and interface module
 - Interchangeable break-out boards simplify device connection
- Simple user interface

1. IF is available only in output mode.

2. Multiple clocks/sample only available in parallel and parallel interleaved output mode.

Overcome Digital Design Challenges

Today's shortened design cycles leave little tolerance for empirical test and redesign. At the same time, every new project brings its own demands for different types of baseband devices with different operating parameters. Sharing common test signals between baseband and RF designers reduces the possibility of errors, and having a configurable device interface reduces the time spent developing custom fixtures.

Until now, you could only overcome one of these challenges at a time. Pattern generators provide flexible physical interfaces, but require you to create your own complex test signals. Signal generators and baseband products provide flexible, dependable IP, but require you to design your own physical interface.

With the Baseband Studio digital signal interface module, engineers in the RF and digital baseband design groups can share the same real-world signals to test transceiver performance or verify control algorithms. This allows test of early-stage digital components and subsystems, saving the time and expense of waiting for the design cycles to merge.

Bit Level Access to Keysight's Baseband Signals

In the output mode you get bit-level access to the entire set of complex test signals available in the high performance E4438C ESG and E8267C PSG vector signal generators. The ESG and PSG generate signals that simulate wireless communications, radar, or other real-world transmissions, and the interface module delivers the test signals to the device-under-test (DUT) as digital I/Q or digital IF data.

In the input mode, the module enables direct digital IQ input from your device into the ESG or PSG for upconversion to the desired RF or microwave frequencies. Your transmitter design can be realized by using the vector signal generator's fully calibrated RF path to substitute for your own RF section. This allows you to test your digital baseband subsystem without waiting for the RF section to be completed.

Why use Keysight's baseband generator?

The key benefit of testing with the same complex signal at RF and at baseband is reducing design iterations. Creating your own representations of real-world signals to do this requires a significant investment of time. Testing with a reliable industry-standard signal from Keysight reduces the probability that a component or a subsystem design will need to be revisited during interoperability testing at RF.

Keysight offers both real-time processing and arbitrary waveform capabilities in a single baseband generator. This technology gives you signals that are optimized for a wide array of applications in a single instrument.

Full signal coding

Most of Keysight's signal creation applications include full channel coding necessary for testing bit, block, packet, or frame error rates (BER/BLER/PER/FER). Fully-coded signals include interleaving, convolutional encoding and data modulation per physical layer standards for full decoding of the checksum, CRC, or data bits by receivers and ASICs.

Real-time advantages

Real-time signals are unconstrained by instrument memory limitations. The signals are not stored in memory; they are continually generated and transmitted. Whether you need one or one million frames, the signal is always continuous, with no repetition. This allows seamless data sequences for BER test, and the ability to pull data from a user file stored in the signal generator's memory.

Real-time signals update immediately when signal parameters are changed, without waiting for a waveform to be rebuilt. Applications include Signal Studio for 1xEV-DV, W-CDMA (in real-time mode), GSM/EDGE, and more.

Complex arbitrary waveforms

Keysight's arbitrary waveform (Arb) signal creation increases the complexity of the waveform that can be created. You can simulate wide bandwidth multicarrier signals containing hundreds of channels, add impairments, and vary the parameters between carriers. Arb signals include W-CDMA (in Arb mode), *Bluetooth*[®], enhanced multitone and more.

Deep 64-MSa download memory

If you still need to create proprietary signals, you can do so with Keysight's Advanced Design System (ADS) software or other simulation tools, and download the waveforms into the ESG or PSG arbitrary waveform generator. ADS provides a convenient ESG/PSG link for easier downloads. MATLAB[®] downloads are facilitated using the free ESG/PSG Download Assistant (www.keysight.com/find/downloadassistant).

Pre-calculated waveforms are limited in size by the baseband generator's playback memory. With Option 602, the ESG and PSG offer one of the deepest playback memories in the industry, 64 megasamples (MSa).

Flexible Data Formats

Every new design seems to require data in a new form. To accommodate this shifting landscape, the interface module provides a direct digital connection to or from the ESG/PSG with a highly configurable interface.

Choose from a variety of word sizes

The interface module offers a choice of word sizes, anywhere from 4 to 16 bits.

Choose serial or parallel data

Support for both parallel and serial buses. In serial mode, a corresponding frame trigger is provided. In parallel mode, IQ and QI interleaving are supported, in which samples are transmitted on both positive and negative clock edges. This doubles the data rate on a single bus for support of double data rate (DDR) devices.

Choose your numeric format

Support for both 2's complement and offset binary numbering, for devices with either all positive or positive/negative numbering conventions.

Choose your bit order

Reorder the bits on the bus to transmit most or least significant bit first (MSB or LSB).

Choose IQ or IF

Support for both digital IQ and digital IF¹. In IF mode, the intermediate frequency is 1/4 of the clock rate.

Add or correct IQ impairments

The IQ data can be modified in amplitude and phase with features such as individual I and Q gain, phase rotation, negation and scaling. These features can help the device emulate real-world conditions.

Flexible Clocking

Test equipment should conform to the needs of the DUT. The interface module's flexible clocking structure makes it easy to synchronize the module with the DUT.

Automatic data resampling

Whether the digital data is supplied from your device or delivered to your device, you never have to worry about rate matching. Simply set the clock rate of the interface module, and it takes care of the rest. Automatic resampling guarantees that data will be delivered at the rate you select.

Clock inputs

For easy synchronization with the test device, the module clock can be driven by a variety of sources.

- To use a clock from your test device, simply supply this clock as an input on the device interface bus that connects your device to the interface module, and connect its frequency reference to the ESG/PSG (Figure 2a).
- If you wish the interface module to supply a user-settable clock, simply specify the clock rate in the user interface, and connect the 10 MHz reference signal from the ESG/PSG to the Freq Ref port on the module's front panel (Figure 2b).
- If you want to supply an independent low jitter clock to both the device and the interface module, simply connect the clock to the Ext Clock In port on the rear panel, and connect its frequency reference to the ESG/PSG (Figure 2c).

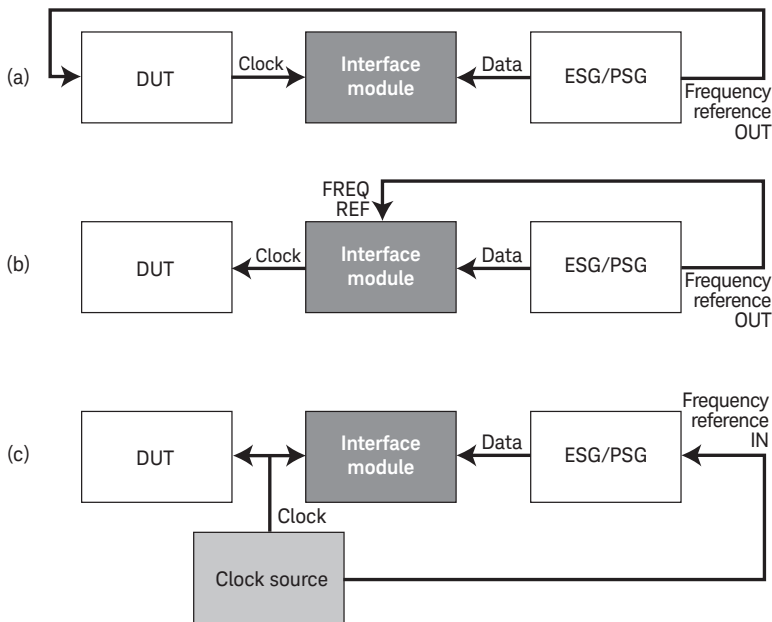


Figure 2. Choose from a variety of clocking options: (a) have the DUT drive the module, (b) use the internal clock from the module, or (c) have an external user-supplied clock source drive the module.

Clock outputs

Multiple output clocks are available so that you can share a common clock with other devices in your system. A clock signal can be provided along with the digital data on the device interface bus. Alternately, the clock output can be taken from an SMA-type connector on the rear panel of the interface module.

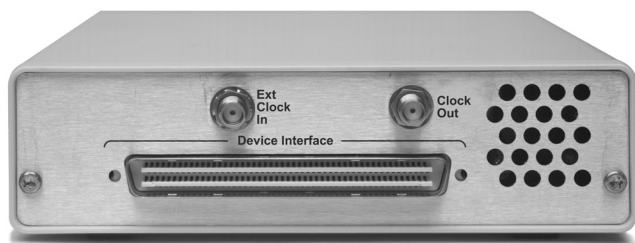


Figure 3. Rear panel clock connectors. Clock the interface module through the device interface bus or the external clock input port. Take the output clock signal from the device interface bus or from the clock output port.

Adjustable clock phase and skew

The user interface makes it simple to align even high-speed clock edges to the valid portion of the data to meet the setup and hold criteria of your test device. For coarse adjustment of the clock edge, you can rotate the clock phase in 90° steps. For extremely fine adjustment at higher clock rates, you can control the clock-to-data skew in tenths of nanoseconds. As you adjust the clock phase and skew, graphics in the user interface show how the clock edges change relative to the data.

Multiple clocks per sample¹

For interfacing the module with over-clocked devices, the clock can be run at a rate two to four times the speed of the digital data throughput. In these cases, each data sample is held constant for two or four clock cycles.

Flexible Signal Interface

A new design often means dealing with a new physical interface. Space requirements, heat dissipation, and noise immunity mean baseband designers require a variety of electrical and physical interfaces. The digital signal interface module can help meet this challenge by turning these into easy menu choices instead of requiring custom adapters and converters.

Electrical interfaces

Now you can test a variety of digital devices without the need for electrical conversions at the test interface. Both single-ended and differential logic types are supported, including low voltage TTL, CMOS (1.5V, 1.8V, 2.5V, 3.3V) and LVDS.

Simple and direct physical interface

The connections between the signal generator, interface module, and DUT are simple and direct – often no custom adapters are required. A single three-meter cable connects the module with the signal generator making it ideal for either rack or bench use. Several interchangeable breakout boards are provided with the module to mate with the following common connectors: 68-pin SCSI, Mictor, Samtec or 0.1 inch headers. If your connector type is not included, a spare header connector is provided to help you mate the module and device connectors.

Clear and convenient UI

The interface module features are easy to set up using simple menus in the ESG or PSG user interface. Using the ESG or PSG keys, you set up the signals you want, then configure the digital data and clock settings. To assist you, graphic displays update to reflect the current settings. The digital signal interface module transforms the incoming complex baseband signals into digital data with the data format, clock rate and electrical interface that you need.

1. This feature is available only in parallel output mode.

Module Features

| Data | |
|--|--|
| ESG complex signal formats supported | 3GPP W-CDMA, HSPDA, cdmaOne (IS-95A), cdma2000® (IS-2000), calibrated AWGN, GSM, EDGE, GPRS/EGPRS, NADC, PDC, PHS, DECT, TETRA, 1xEV-DV, multicarrier 1xEV-DO, TD-SCDMA, 802.11a/b/g WLAN, <i>Bluetooth</i> , enhanced multitone, noise power ratio, custom digital modulation, arbitrary waveform user file |
| PSG complex signal formats supported arbitrary waveform user file | custom digital modulation, two-tone, enhanced multitone, pulse building, noise power ratio, |
| Digital data format | User-selectable: 2's complement or binary offset, IQ (I, I-bar, Q, Q-bar) or digital IF ¹ (real, imaginary) |
| Data port | Dual 16-bit data buses support parallel, parallel IQ interleaved, parallel QI interleaved, or serial port configuration |
| (Device Interface) connector | 144-pin Tyco Z-Dok+ connects to break-out boards (included) that interface with the following connector types: 68-pin SCSI 38-pin dual AMP Mictor 100-pin dual Samtec 20-pin dual 0.1 inch headers 40-pin dual 0.1 inch headers The Z-Dok+ mating connector is also included for custom interfacing. |
| Logic types | Single-ended: LVTTTL, 1.5V CMOS, 1.8V CMOS, 2.5V CMOS, 3.3V CMOS Differential: LVDS |
| Data output resampling | ESG/PSG baseband output is resampled to the arbitrary clock rate set by the user via real-time curve-fit calculations. |
| Clock | |
| Clock input | User selectable: internal clock, device under test DUT clock (Device Interface connector), or external clock (Ext Clock In connector) SMA, 50 Ω, 0 dBm nominal, 1 to 400 MHz |
| Clock output | User selectable: Device Interface connector, or Clock Out connector SMA, 2 Vpp into load > 5K Ω from 1 to 100 kHz, 400 mVpp into 50 Ω load from 100 kHz to 400 MHz |
| Sample rate | User-selectable up to a maximum 100 MHz, but limited by other user settings. In serial mode, the maximum rate is 400 MHz/word size Tables 4-1 through 4-6 in the User's Guide (N5102-90001) supply a complete list of rates for every case. |
| Bit rate | Up to 400 MHz per serial line (400 Mbps LVDS) or 150 MHz per serial line (150 Mbps CMOS/LVTTTL) |
| Serial | 32 lines available |
| Parallel | Up to 100 MHz x word size (1.6 Gbps LVDS, CMOS and LVTTTL) per parallel bus, 2 parallel buses available |
| Clocks per sample | In parallel output mode, the data sample can be held for 1, 2 or 4 clock cycles |
| Clock to data skew | Coarse adjustment in 90° steps from 0 to 270°; fine-adjustment in increments of 100 ps up to 5 ns |
| Clock polarity | Clock signals may be inverted |
| Frequency reference input | 1 to 100 MHz BNC, 50 Ω, 3 dBm ± 6 dB, |
| Power supply (included) | Input: 100 to 240 VAC, 0.7 A, 50 to 60 Hz Output: 5V, 4A DC |

1. IF is only available in output mode.

Signal generator connectivity

The ESG and PSG vector signal generators offer a wide array of I/O capabilities to simplify measurement setups. You can download waveforms to the instrument, upgrade the instrument firmware, or remotely control the instrument with SCPI commands using either 10BaseT LAN or IEEE-488 GPIB. LAN control requires the use of the L-version or later of Keysight IO libraries, downloadable from the Keysight web site: www.keysight.com/find/iolib

Many of Keysight's signal creation personalities come with user-friendly graphical user interfaces (GUIs) and application programming interfaces (APIs), so that you can control them from your PC or within your automated test environment.

Ordering Information

| Digital signal interface module | | |
|--|--|---|
| Model/option | Description | Notes |
| N5102A | Digital signal interface module | Either an E4438C ESG or an E8267C PSG is also required |
| ESG configuration | | |
| Model/option | Description | Notes |
| E4438C | ESG vector signal generator | Firmware C.03.60 or later required |
| E4438C-003 | Enables ESG digital outputs | Either 003 or 004 is required |
| E4438C-004 | Enables ESG digital inputs | Either 003 or 004 is required |
| E4438C-506 (or substitute) | 250 kHz to 6 GHz frequency range | Can substitute option 501, 502, 503 or 504 (lower frequencies) |
| E4438C-UNJ | Enhanced phase noise performance | Only required with E4438C-506 |
| E4438C-602 | Internal baseband generator, 64 MSa memory depth with digital bus capability | Can substitute E4438C-601 (baseband generator 8 MSa memory with digital bus capability) |
| Optional signal creation applications: | | |
| E4438C-400 | 3GPP W-CDMA FDD | |
| E4438C-401 | cdma2000 and IS-95A | |
| E4438C-402 | TDMA: GSM/EDGE/NADC/PDC/PHS/TETRA/DECT | |
| E4438C-403 | Calibrated noise | |
| E4438C-404 | Signal Studio for 1xEV-DO | |
| E4438C-406 | Signal Studio for <i>Bluetooth</i> | |
| E4438C-408 | Signal Studio for enhanced multitone | |
| E4438C-411 | Signal Studio for TD-SCDMA (TSM) | |
| E4438C-414 | Signal Studio for 1xEV-DV and cdma2000 | |
| E4438C-417 | Signal Studio for 802.11 WLAN | |
| E4438C-418 | Signal Studio for HSDPA over W-CDMA | |
| E4438C-421 | Signal Studio for noise power ratio | |
| PSG configuration | | |
| Model/option | Description | Notes |
| E8267C | PSG vector signal generator | Firmware C.03.60 or later required |
| E8267C-003 | Enables PSG digital outputs | Either 003 or 004 is required |
| E8267C-004 | Enables PSG digital inputs | Either 003 or 004 is required |
| E8267C-520 | 250 kHz to 20 GHz frequency range | Required |
| E8267C-UNR | Enhanced phase noise performance | Optional |
| E8267C-602 | Internal baseband generator, 64 MSa memory depth with digital bus capability | Required |
| Optional signal creation applications: | | |
| E8267C-408 | Signal Studio for enhanced multitone | |
| E8267C-420 | Signal Studio for pulse building | |
| E8267C-421 | Signal Studio for noise power ratio | |

ESG and PSG upgrade kits

If you currently own an E4438C ESG vector signal generator with Option E4438C-001 or -002, and wish to add the Option E4438C-601 or -602 baseband generator, please order the upgrade kit: Option E4438CK-601 or E4438CK-602.

If you currently own an E8267C PSG vector signal generator with Option E8267C-002, and wish to add the Option E8267C-602 baseband generator, please order the upgrade kit: Option E8267CK-602.

Additional Resources

Web:

www.keysight.com/find/basebandstudio

Baseband Studio is a suite of baseband signal applications and accessories that currently work with the E4438C ESG and E8267C PSG vector signal generators to emulate real-world signal conditions – simplifying the creation and verification of cellular, wireless networking, and aerospace/defense component and subsystem designs. The N5102A Baseband Studio digital signal interface module delivers ESG and PSG baseband signals as digital I/Q or IF data. A PC equipped with the N5101A Baseband Studio PCI card enables two new software applications: N5110A Baseband Studio for waveform streaming and N5115A Baseband Studio for fading. Baseband Studio for streaming lets you stream unique baseband waveform data of virtually unlimited length from a PC hard drive through an ESG or PSG for RF or microwave signal generation. Baseband Studio for fading provides digitally integrated fading of ESG baseband signals along with calibrated noise in a single easy-to-setup solution.

www.keysight.com/find/esg

www.keysight.com/find/psg

www.keysight.com/find/signalstudio

Literature:

E4438C ESG Vector Signal Generator, Data Sheet
Literature number. 5988-4039EN

E8267C PSG Vector Signal Generator, Data Sheet
Literature number. 5988-6632EN

Baseband Studio for Streaming, Technical Overview
Literature number. 5988-9493EN

Baseband Studio for Fading, Technical Overview
Literature number. 5988-9494EN

myKeysight

myKeysight

www.keysight.com/find/mykeysight

A personalized view into the information most relevant to you.



www.axiestandard.org

AdvancedTCA® Extensions for Instrumentation and Test (AXIe) is an open standard that extends the AdvancedTCA for general purpose and semiconductor test. Keysight is a founding member of the AXIe consortium. ATCA®, AdvancedTCA®, and the ATCA logo are registered US trademarks of the PCI Industrial Computer Manufacturers Group.



www.lxistandard.org

LAN eXtensions for Instruments puts the power of Ethernet and the Web inside your test systems. Keysight is a founding member of the LXI consortium.



www.pxisa.org

PCI eXtensions for Instrumentation (PXI) modular instrumentation delivers a rugged, PC-based high-performance measurement and automation system.



Three-Year Warranty

www.keysight.com/find/ThreeYearWarranty

Keysight's commitment to superior product quality and lower total cost of ownership. The only test and measurement company with three-year warranty standard on all instruments, worldwide.



Keysight Assurance Plans

www.keysight.com/find/AssurancePlans

Up to five years of protection and no budgetary surprises to ensure your instruments are operating to specification so you can rely on accurate measurements.



www.keysight.com/go/quality

Keysight Technologies, Inc.
DEKRA Certified ISO 9001:2008
Quality Management System

Keysight Infoline

Keysight Infoline

www.keysight.com/find/service

Keysight's insight to best in class information management. Free access to your Keysight equipment company reports and e-library.

Keysight Channel Partners

www.keysight.com/find/channelpartners

Get the best of both worlds: Keysight's measurement expertise and product breadth, combined with channel partner convenience.

cdma2000 is a US registered certification mark of the Telecommunications Industry Association.

Bluetooth and the Bluetooth logos are trademarks owned by Bluetooth SIG, Inc., U.S.A. and licensed to Keysight Technologies, Inc.

www.keysight.com/find/basebandstudio

For more information on Keysight Technologies' products, applications or services, please contact your local Keysight office. The complete list is available at: www.keysight.com/find/contactus

Americas

| | |
|---------------|------------------|
| Canada | (877) 894 4414 |
| Brazil | 55 11 3351 7010 |
| Mexico | 001 800 254 2440 |
| United States | (800) 829 4444 |

Asia Pacific

| | |
|--------------------|----------------|
| Australia | 1 800 629 485 |
| China | 800 810 0189 |
| Hong Kong | 800 938 693 |
| India | 1 800 11 2626 |
| Japan | 0120 (421) 345 |
| Korea | 080 769 0800 |
| Malaysia | 1 800 888 848 |
| Singapore | 1 800 375 8100 |
| Taiwan | 0800 047 866 |
| Other AP Countries | (65) 6375 8100 |

Europe & Middle East

| | |
|----------------|---------------|
| Austria | 0800 001122 |
| Belgium | 0800 58580 |
| Finland | 0800 523252 |
| France | 0805 980333 |
| Germany | 0800 6270999 |
| Ireland | 1800 832700 |
| Israel | 1 809 343051 |
| Italy | 800 599100 |
| Luxembourg | +32 800 58580 |
| Netherlands | 0800 0233200 |
| Russia | 8800 5009286 |
| Spain | 800 000154 |
| Sweden | 0200 882255 |
| Switzerland | 0800 805353 |
| | Opt. 1 (DE) |
| | Opt. 2 (FR) |
| | Opt. 3 (IT) |
| United Kingdom | 0800 0260637 |

For other unlisted countries:
www.keysight.com/find/contactus
(BP-04-23-15)