

Waveguide Adapters

50 Years of
Excellence

5.85-26.5 GHz

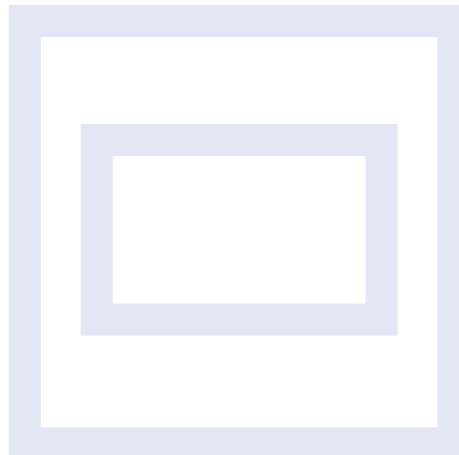
Miniature Waveguide To Coaxial Adapters SMA, 3.5mm, 2.9mm Types

- Low VSWR
- Low Insertion Loss
- Lightweight
- Precision Coaxial Connectors Either SMA, 3.5mm or 2.9mm



Specifications

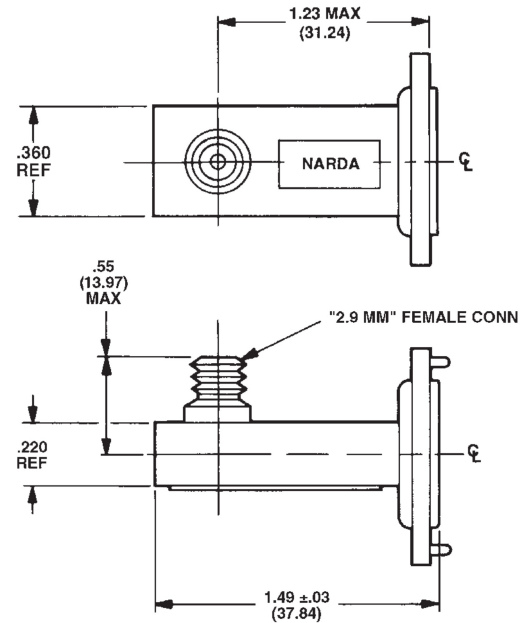
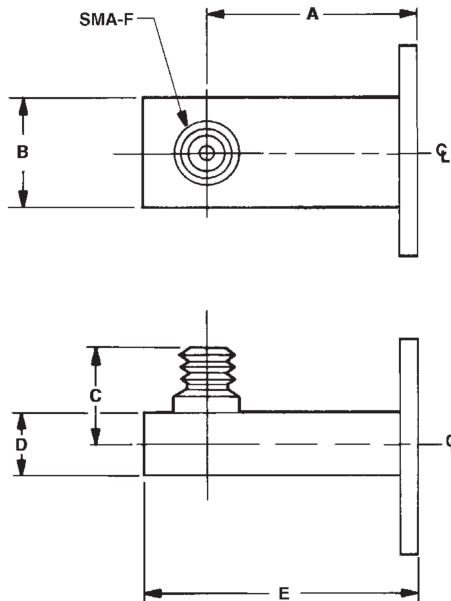
FREQUENCY RANGE (GHz)	MODEL	BAND	WAVEGUIDE SIZE	FLANGE TYPE	FLANGE Equivalent To	VSWR (Max)	WEIGHT Oz	Gr
SMA								
5.85-8.2	4602	C	WR-137	Cover	UG-441/U	1.1	6	171
8.2-12.4	4601	X	WR-90	Cover	UG-135/U	1.25	4.0	113
12.4-18.0	4609	KU	WR-62	Cover	UG-418/U	1.25	4.0	113
3.5 mm								
18.0-26.5	4608B	K	WR-42	Cover	UG-595/U	1.25	4.0	113
2.9 mm								
26.5-40	V4607	Ka	WR-28	Cover	UG599/U	1.20	2	60


narda

 an  communications company

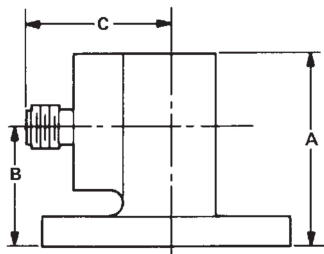
 435 MORELAND ROAD • HAUPPAUGE, NY 11788
 USA TEL: (1) 631 231-1700 • INT'L TEL: (1) 631 231-1390 • FAX (1) 631 231-1711
 E-MAIL: nardaeast@L-3COM.com • www.nardamicrowave.com

Outline Drawings



MODEL V4607

MODEL	A	B	C	D	E
4602	2.03 (51.5)	1.50 (38.1)	1.13 (28.7)	.81 (20.5)	2.65 (67.3)



MODEL	A MAX	B MAX	C MAX	CONNECTOR
4601	1.22 (30.9)	.80 (20.3)	.83 (21.0)	SMA-F
4609	1.02 (25.9)	.77 (19.5)	.71 (18.0)	SMA-F
4608B	1.01 (25.6)	.75 (19.0)	.77 (19.5)	3.5 mm

Dimensions in parentheses are in millimeters and for reference only.

All dimensions max. unless otherwise specified.

