

Anritsu envision : ensure

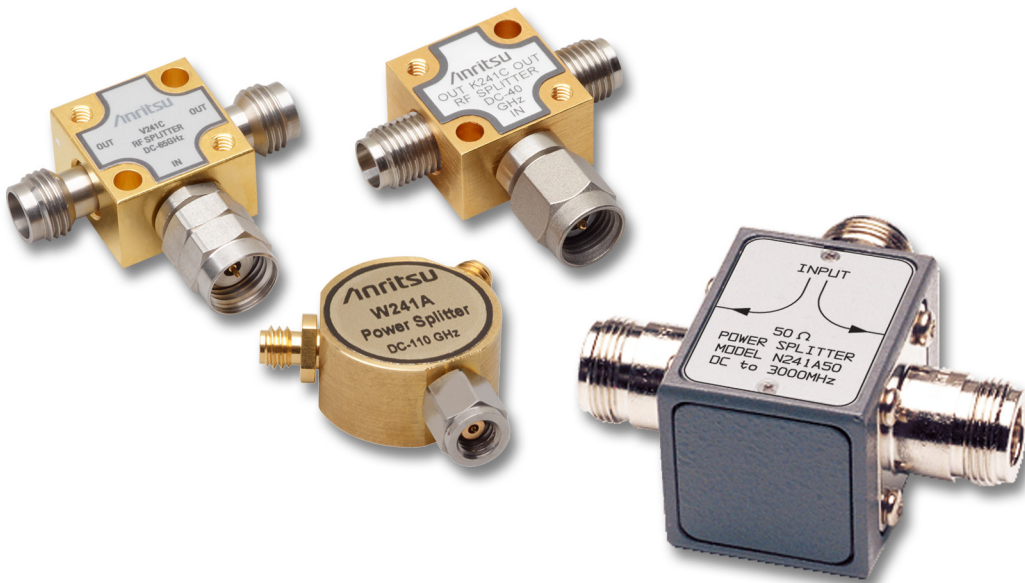
Precision Power Splitters

W241A
DC to 110 GHz

K241 Series
DC to 40 GHz/DC to 26.5 GHz

V241C
DC to 65 GHz

N241A50
DC to 3.0 GHz



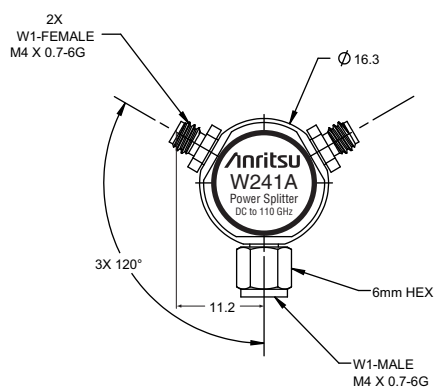
Introduction

Anritsu produces precision power splitters that cover frequencies up to 110 GHz and 1 watt input power. All Anritsu microwave power splitters are symmetrical, two-resistor designs that can be used in applications where signals from DC to 110 GHz must be accurately divided for ratio measurements. They provide excellent flatness and effective output SWR.

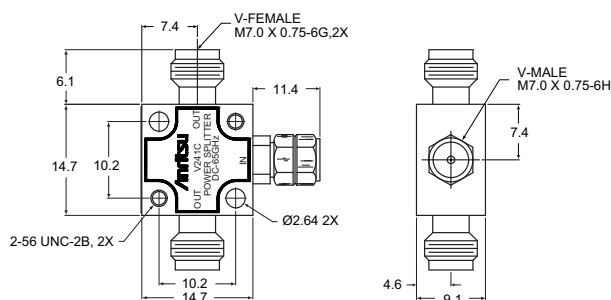
Features

- DC to 110 GHz frequency range
- W1 Connectors™ are compatible with 1 mm connectors
- V Connectors™ are compatible with 2.4 mm connectors
- K Connectors™ are compatible with 3.5 mm and SMA connectors
- Excellent flatness and effective output SWR
- All power splitters are available in 50 Ω characteristic impedance
- Design is robust and well suited for high frequency system and instrumentation applications
- Anritsu offers metrology grade adapters and calibration devices for better repeatability and performance

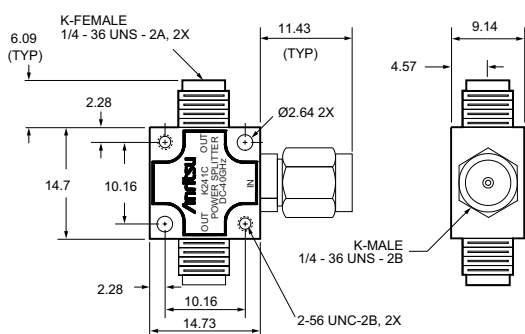
Dimensions



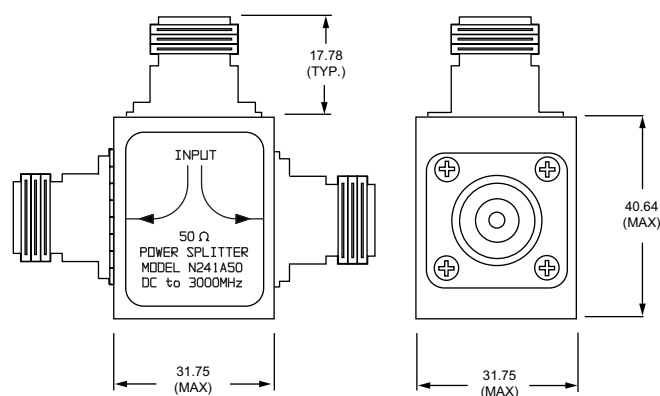
W241A



V241C



K241x



N241A50

All dimensions in mm

Typical specifications are not tested and are not warranted. They are generally representative of characteristic performance. Warranty: 1 year; Calibration period: 6 months

Available Models

Model	Frequency Range	Connectors	Impedance	Input Power
W241A	DC to 110 GHz	W1(m) to W1(f)	50 Ω	0.2 W
V241C	DC to 65 GHz	V(m) to V(f)	50 Ω	1.0 W
K241C	DC to 40 GHz	K(m) to K(f)	50 Ω	1.0 W
K241B	DC to 26.5 GHz	K(m) to K(f)	50 Ω	1.0 W
N241A50	DC to 3.0 GHz	N(f) to N(f)	50 Ω	0.5 W

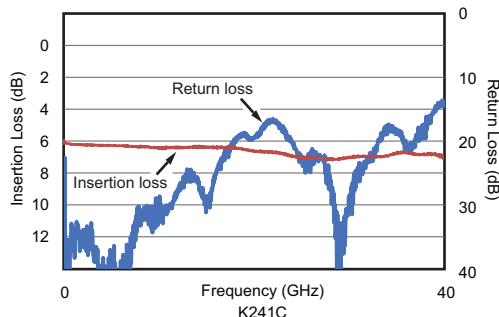
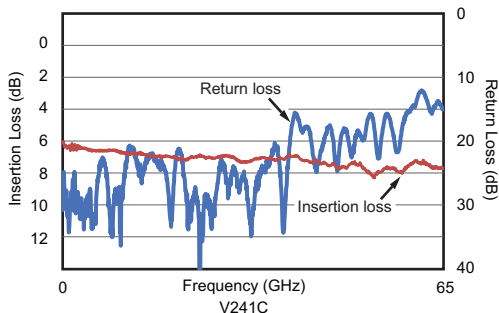
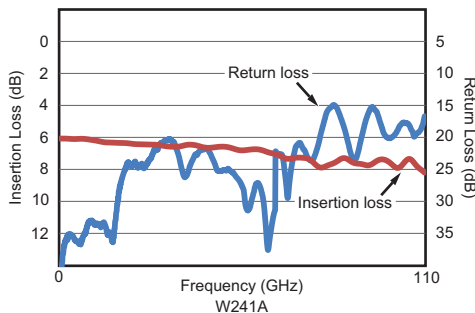
Specifications

General

Insertion Loss Temperature Coefficient	0.001 dB/dB/°C max
Temperature Range	Operating: 0 °C to +70 °C; Non-operating: -55 °C to +125 °C
Weight	W241A: 16 g V241C: 43 g K241C: 43 g K241B: 43 g N241A50: 182 g

Insertion/Return Loss, Match, and Transmission Tracking

Model	Frequency Range	Insertion Loss (max)	Input Return Loss (min)	Effective Output Match (min)	Transmission Tracking Amplitude (max)
W241A	DC to 2.5 GHz	7.00 dB	20.00 dB	18.00 dB	0.25 dB
	> 2.5 GHz to 20 GHz	7.00 dB	20.00 dB	18.00 dB	0.40 dB
	> 20 GHz to 50 GHz	7.50 dB	15.00 dB	14.00 dB	0.40 dB
	> 50 GHz to 67 GHz	8.25 dB	15.00 dB	14.00 dB	0.40 dB
	> 67 GHz to 85 GHz	9.00 dB	10.00 dB	8.00 dB	1.00 dB
	> 85 GHz to 105 GHz	9.00 dB	10.00 dB	8.00 dB	1.00 dB
	> 105 GHz to 110 GHz	9.50 dB	9.00 dB	6.00 dB	1.00 dB
V241C	DC to 18 GHz	8.5 dB	8.95 dB	9.54 dB	
	>18 GHz to 40 GHz	9.5 dB	7.97 dB	8.01 dB	
	>40 GHz to 65 GHz	10.5 dB	6.98 dB	7.04 dB	
K241C	DC to 26.5 GHz	7.5 dB	14.72 dB	14.72 dB	
	>26.5 GHz to 40 GHz	8.5 dB	9.97 dB	11.73 dB	
K241B	DC to 26.5 GHz	7.5 dB	14.72 dB	14.72 dB	
N241A50	DC to 3.0 GHz	7.5 dB	17.69 dB	17.69 dB	



All plots typical.

Environmental (per MIL-STD-202F)

Temperature Shock	-55 °C to +150 °C
Humidity	95% at 40 °C, 96 hours, Test 103B, Condition B
Shock	100 G peak sawtooth, method 213, Condition B
Vibration	Sinewave: 10 Hz to 2000 Hz, 0.06" DA, method 204, test condition D Random: 50 Hz to 2000 Hz, 11.6 Grms, Power Spectral Density 0.1 Grms 2 Hz, Method 214, Test Condition 1, Letter D
Salt Spray ¹	5% concentration for 48 hours, Method 101D, Condition B
Voltage withstanding	500 VAC RMS, 60 seconds, method 301

Regulatory Compliance

European Union	RoHS Directive 2011/65/EU
----------------	---------------------------

Ordering Information

Precision Power Splitters

Part Number	Description
W241A	DC to 110 GHz, W1(m) to W1(f), 50 Ω
W241A-099	Premium Calibration to ISO17025 and ANSI/NCSL Z540-1. Includes calibration certificate, test report, and uncertainty data.
V241C	DC to 65 GHz, V(m) to V(f), 50 Ω
K241C	DC to 40 GHz, K(m) to K(f), 50 Ω
K241B	DC to 26.5 GHz, K(m) to K(f), 50 Ω
N241A50	DC to 3.0 GHz, N(f) to N(f), 50 Ω

1. Salt spray does not apply to the W241A splitters.

Training at Anritsu

Anritsu has designed courses to help you stay up to date with technologies important to your job. For available training courses, visit: www.anritsu.com/training



• United States

Anritsu Company

450 Century Parkway, Suite 190, Allen,
TX 75013 U.S.A.
Toll Free: +1-800-267-4878
Phone: +1-972-644-1777

• Canada

Anritsu Electronics Ltd.

700 Silver Seven Road, Suite 120, Kanata,
Ontario K2V 1C3, Canada
Phone: +1-613-591-2003
Fax: +1-613-591-1006

• Brazil

Anritsu Eletronica Ltda.

Praça Amadeu Amaral, 27 - 1 Andar
01327-010 - Bela Vista - Sao Paulo - SP
Brazil
Phone: +55-11-3283-2511
Fax: +55-11-3288-6940

• Mexico

Anritsu Company, S.A. de C.V.

Blvd Miguel de Cervantes Saavedra #169 Piso 1,
Col. Granada
Mexico, Ciudad de Mexico, 11520, MEXICO
Phone: +52-55-4169-7104

• United Kingdom

Anritsu EMEA L td.

200 Capability Green, Luton, Bedfordshire, LU1 3LU,
U.K.
Phone: +44-1582-433200
Fax: +44-1582-731303

• France

Anritsu S.A.

12 avenue du Québec, Bâtiment Iris 1- Silic 612,
91140 VILLEBON SUR YVETTE, France
Phone: +33-1-60-92-15-50
Fax: +33-1-64-46-10-65

• Germany

Anritsu GmbH

Nemetschek Haus, Konrad-Zuse-Platz 1
81829 München, Germany
Phone: +49-89-442308-0
Fax: +49-89-442308-55

• Italy

Anritsu S.r.l.

Via Elio Vittorini 129, 00144 Roma, Italy
Phone: +39-6-509-9711
Fax: +39-6-502-2425

List Revision Date: 20180621

• Sweden

Anritsu AB

Isafjordsgatan 32C, 164 40 KISTA, Sweden
Phone: +46-8-534-707-00

• Finland

Anritsu AB

Teknobulevardi 3-5, FI-01530 VANTAA, Finland
Phone: +358-20-741-8100
Fax: +358-20-741-8111

• Denmark

Anritsu A/S

Torveporten 2, 2500 Valby, Denmark
Phone: +45-7211-2200
Fax: +45-7211-2210

• Russia

Anritsu EMEA Ltd.

Representation Office in Russia

Tverskaya str. 16/2, bld. 1, 7th floor.
Moscow, 125009, Russia
Phone: +7-495-363-1694
Fax: +7-495-935-8962

• Spain

Anritsu EMEA Ltd.

Representation Office in Spain

Edificio Cuzco IV, Po. de la Castellana, 141, Pta. 5
28046, Madrid, Spain
Phone: +34-915-726-761
Fax: +34-915-726-621

• United Arab Emirates

Anritsu EMEA Ltd.

Dubai Liaison Office

902, Aurora Tower,
P O Box: 500311- Dubai Internet City
Dubai, United Arab Emirates
Phone: +971-4-3758479
Fax: +971-4-4249036

• India

Anritsu India Private Limited

6th Floor, Indiqube ETA, No.38/4, Adjacent to EMC2,
Doddanekundi, Outer Ring Road, Bengaluru - 560048,
India
Phone: +91-80-6728-1300
Fax: +91-80-6728-1301

• Singapore

Anritsu Pte. Ltd.

11 Chang Charn Road, #04-01, Shriro House
Singapore 159640
Phone: +65-6282-2400
Fax: +65-6282-2533

• P.R. China (Shanghai)

Anritsu (China) Co., Ltd.

Room 2701-2705, Tower A,
New Caohejing International Business Center
No. 391 Gui Ping Road Shanghai, 200233, P.R. China
Phone: +86-21-6237-0898
Fax: +86-21-6237-0899

• P.R. China (Hong Kong)

Anritsu Company Ltd.

Unit 1006-7, 10/F., Greenfield Tower, Concordia Plaza,
No. 1 Science Museum Road, Tsim Sha Tsui East,
Kowloon, Hong Kong, P.R. China
Phone: +852-2301-4980
Fax: +852-2301-3545

• Japan

Anritsu Corporation

8-5, Tamura-cho, Atsugi-shi, Kanagawa, 243-0016
Japan
Phone: +81-46-296-6509
Fax: +81-46-225-8352

• Korea

Anritsu Corporation, Ltd.

5FL, 235 Pangyoyeok-ro, Bundang-gu, Seongnam-si,
Gyeonggi-do, 13494 Korea
Phone: +82-31-696-7750
Fax: +82-31-696-7751

• Australia

Anritsu Pty. Ltd.

Unit 20, 21-35 Ricketts Road,
Mount Waverley, Victoria 3149, Australia
Phone: +61-3-9558-8177
Fax: +61-3-9558-8255

• Taiwan

Anritsu Company Inc.

7F, No. 316, Sec. 1, NeiHu Rd., Taipei 114, Taiwan
Phone: +886-2-8751-1816
Fax: +886-2-8751-1817