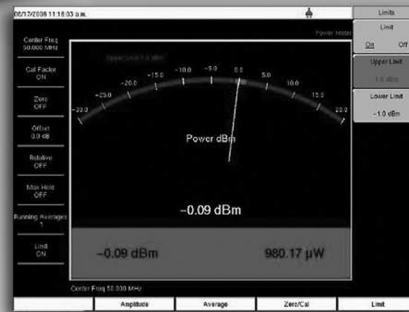


Anritsu envision : ensure

# High Accuracy Power Sensor

## PSN50

50 MHz to 6 GHz



## Introduction

The High Accuracy Power Sensors are the latest addition to Anritsu's handheld products. They are designed to provide field users with a practical power sensor solution for base station testing by delivering bench top accuracy to the field environment. The 50 MHz to 6 GHz PSN50 sensor delivers true RMS measurements from -30 to +20 dBm, enabling users to make accurate measurements for both CW and digitally modulated signals such as GSM/GPRS/EDGE, CDMA/EV-DO, WCDMA/HSDPA, and WiMAX. The sensor connects to BTS Master and Spectrum Master products with the USB interface. The RS-232 serial port is used to connect to legacy handheld products.

## Key Features and Highlights

- 50 MHz to 6 GHz Frequency Range  
Accurate measurements over a wide frequency range.
- -30 to +20 dBm Dynamic Range  
True RMS measurements over a 50 dB Dynamic Range enabling users to make accurate CW and modulated power measurements. Important for service providers. A small error in power can have a significant impact on coverage area.
- Cal Factor Correction  
Improve overall accuracy by correcting for efficiency and mismatch losses.
- Zero  
Remove noise and improve overall accuracy for low level signals (< -20 dBm)
- Averaging  
Apply averaging to signals with high variation.
- Max Hold  
Displays the maximum value of the non-averaged data. Good for frequency hopping signals.
- Limit Setup  
Turns on limits and setup PASS/FAIL criteria for the measurements. The results are color coded: Green-Pass, Red-Fail
- Dual Display  
View Power readings linearly in Watt and logarithmically in dBm without selecting the units.
- Offset Compensation  
Remove any attenuators connected to the sensor.

Table of Contents

Definitions.....3  
PSN50 Specifications.....4  
Ordering Information.....4  
PSN50 CalXpert™.....5

Definitions

Specifications	All specifications and characteristics apply under the following conditions, unless otherwise stated:
Temperature Range	Over the 23 °C ± 5 °C temperature range.
Warm-Up Time	After 30 minutes of warm-up time, where the instrument is left in the ON state.
Uncertainty	A coverage factor of x1 is applied to the measurement uncertainties to facilitate comparison with other industry handheld analyzers.
Calibration Cycle	Calibration is within the recommended 12 month period (residual specifications also require calibration kit calibration cycle adherence.) All specifications subject to change without notice. For the most current data sheet, please visit the Anritsu web site: <a href="http://www.anritsu.com">www.anritsu.com</a>

## PSN50 Specifications

### Sensor

Measurement Range	-30 to +20 dBm
Frequency Range	50 MHz to 6 GHz
Input Connector	Type N, male, 50 $\Omega$
Max Input Without Damage	+33 dBm, $\pm$ 25 VDC
Input Return Loss	50 MHz to 2 GHz: $\geq$ 26 dB 2 GHz to 6 GHz: $\geq$ 20 dB

### Accuracy

Total RSS Measurement Uncertainty	$\pm$ 0.16 dB (0 $^{\circ}$ C to 50 $^{\circ}$ C) Excludes mismatch errors, noise, zero set, zero drift for levels < -20 dBm, and digital modulation uncertainty between +17 and +20 dBm.
Noise	20 nW max
Zero Set	20 nW
Zero Drift	10 nW max (After 30 min warm-up)
Sensor Linearity	$\pm$ 0.13 dB max
Sensor Cal Factor Uncertainty	$\pm$ 0.06 dB
Temperature Compensation	$\pm$ 0.06 dB max
Continuous digital modulation uncertainty	+ 0.06 dB (+17 to +20 dBm)

### System

Measurement Resolution	0.01 dB
Offset Range	$\pm$ 60 dB

### Power Requirements (required when using RS-232 interface)

Supply Voltage	8 to 18 Vdc
Supply Current	< 100 mA

### Interfaces

RS-232	Serial Interface
Mini-B USB	USB 2.0 compatible

## Ordering Information

### Part Number Description

PSN50	High Accuracy Power Sensor, 50 MHz to 6 GHz
3-1010-122	Attenuator (Bi-directional), 20 dB, 5 Watt, DC to 12.4 GHz, N(m) to N(f)
3-1010-123	Attenuator (Bi-directional), 30 dB, 50 Watt, DC to 8.5 GHz, N(m) to N(f)
3-1010-124	Attenuator (Bi-directional), 40 dB, 100 Watt, DC to 8.5 GHz, N(m) to N(f)
2300-534	PSN50 CalXpert™
41KA-10	10 dB Fixed Attenuator
34NFK50	K to N Adapter

**PSN50 CalXpert™**

**Software Application for Calibrating PSN50 Power Sensors**

PSN50 CalXpert™ is a calibration wizard that guides you through the range connection test and performs the necessary operations to upload calibration data into the power sensor. It provides a convenient way to:

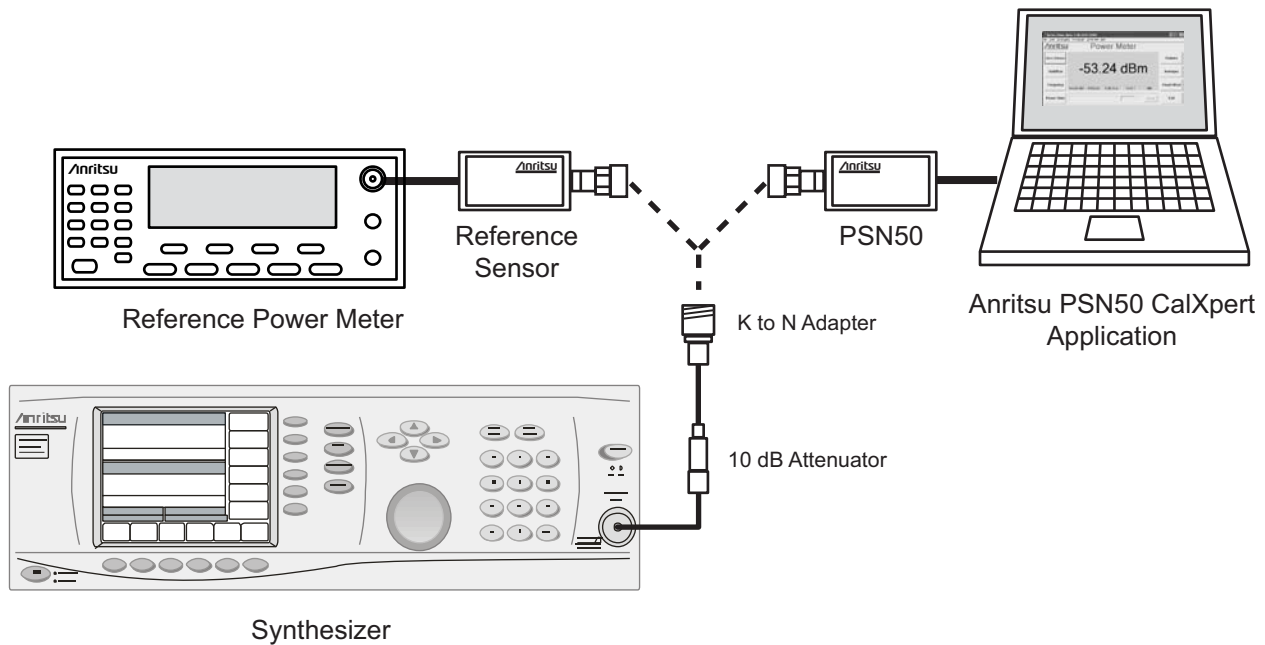
- Perform range connection characterization
- Upload the new range connection characterization data into the sensor
- Upload 50 MHz sensitivity calibration and calibration factor data into the sensor\*
- Provide a report of new and old calibration data

As a precaution, PSN50 CalXpert™ will also retain a file of the old calibration data that the user can restore to the sensor using PSN50 CalXpert™ if required.

\*PSN50 CalXpert does not control the full suite of equipment to obtain sensitivity calibration and calibration factor data – it is assumed that users have access to an appropriately equipped calibration lab to obtain this data. PSN50 CalXpert can be used with a PC to read the responses of the power sensor during the gathering of calibration factor and sensitivity data.

**Equipment Requirements** For performing range connection characterization and to upload calibration data into the sensor.

Computer equipped	Intel® Pentium® III with 1 GB RAM or Intel® Pentium® IV with 512 MB RAM, or equivalent (Intel® Pentium® IV with 1 GB RAM recommended) Microsoft® Windows Vista® (32-bit only), Windows XP or Windows 2000 Microsoft® .NET 3.5 100 MB hard-disk free space Display resolution 1024 × 768 USB 2.0 full speed (compatible with USB 1.0 and 1.1) interface CD-ROM drive
Synthesizer	50 MHz to 6 GHz, +15 dBm minimum (Anritsu MG3690 Series)
Reference Power Meter and Sensor	Absolute power accuracy better than 0.5 dB (Anritsu MA24106A or ML2437A, with MA2442D)
10 dB Fixed Attenuator	1.25 SWR from 50 MHz to 6 GHz (Anritsu 41KA-10)
K to N Adapter	Anritsu 34NFK50



Typical Equipment Setup for Range Connection Characterization

## Training at Anritsu

Anritsu has designed courses to help you stay up to date with technologies important to your job. For available training courses, visit: [www.anritsu.com/training](http://www.anritsu.com/training)



### • United States

#### Anritsu Company

1155 East Collins Blvd, Suite 100  
Richardson, TX 75081, U.S.A.  
Toll Free: 1-800-267-4878  
Phone: +1-972-644-1777  
Fax: +1-972-671-1877

### • Canada

#### Anritsu Electronics Ltd.

700 Silver Seven Road, Suite 120  
Kanata, Ontario K2V 1C3, Canada  
Phone: +1-613-591-2003  
Fax: +1-613-591-1006

### • Brazil

#### Anritsu Eletrônica Ltda.

Praça Amadeu Amaral, 27 - 1 Andar  
01327-010 Bela Vista, São Paulo, SP, Brazil  
Phone: +55-11-3283-2511  
Fax: +55-11-3288-6940

### • Mexico

#### Anritsu Company, S.A. de C.V.

Av. Ejército Nacional No. 579 Piso 9, Col. Granada  
11520 México, D.F., México  
Phone: +52-55-1101-2370  
Fax: +52-55-5254-3147

### • United Kingdom

#### Anritsu EMEA Ltd.

200 Capability Green  
Luton, Bedfordshire LU1 3LU  
United Kingdom  
Phone: +44-1582-433280  
Fax: +44-1582-731303

### • France

#### Anritsu S.A.

12 Avenue du Québec  
Bâtiment Iris 1-Silic 612  
91140 Villebon-sur-Yvette, France  
Phone: +33-1-60-92-15-50  
Fax: +33-1-64-46-10-65

### • Germany

#### Anritsu GmbH

Nemetschek Haus, Konrad-Zuse-Platz 1  
81829 München, Germany  
Phone: +49-89-442308-0  
Fax: +49-89-442308-55

### • Italy

#### Anritsu S.r.l.

Via Elio Vittorini 129  
00144 Roma, Italy  
Phone: +39-06-509-9711  
Fax: +39-06-502-2425

### • Sweden

#### Anritsu AB

Kistagången 20B  
164 40 KISTA, Sweden  
Phone: +46-8-534-707-00  
Fax: +46-8-534-707-30

### • Finland

#### Anritsu AB

Teknobulevardi 3-5  
FI-01530 Vantaa, Finland  
Phone: +358-20-741-8100  
Fax: +358-20-741-8111

### • Denmark

#### Anritsu A/S

Kay Fiskers Plads 9  
2300 Copenhagen S, Denmark  
Phone: +45-7211-2200  
Fax: +45-7211-2210

### • Russia

#### Anritsu EMEA Ltd.

##### Representation Office in Russia

Tverskaya str. 16/2, bld. 1, 7th floor  
Moscow, 125009, Russia  
Phone: +7-495-363-1694  
Fax: +7-495-935-8962

### • Spain

#### Anritsu EMEA Ltd.

##### Representation Office in Spain

Edificio Cuzco IV, Po. de la Castellana, 141, Pta. 8  
28046, Madrid, Spain  
Phone: +34-915-726-761  
Fax: +34-915-726-621

### • United Arab Emirates

#### Anritsu EMEA Ltd.

##### Dubai Liaison Office

902, Aurora Tower,  
P O Box: 500311- Dubai Internet City  
Dubai, United Arab Emirates  
Phone: +971-4-3758479  
Fax: +971-4-4249036

### • India

#### Anritsu India Private Limited

2nd & 3rd Floor, #837/1, Binnamangla 1st Stage  
Indiranagar, 100ft Road, Bangalore - 560038, India  
Phone: +91-80-4058-1300  
Fax: +91-80-4058-1301

### • Singapore

#### Anritsu Pte. Ltd.

11 Chang Charn Road, #04-01, Shriro House  
Singapore 159640  
Phone: +65-6282-2400  
Fax: +65-6282-2533

### • P.R. China (Shanghai)

#### Anritsu (China) Co., Ltd.

27th Floor, Tower A  
New Caohejing International Business Center  
No. 391 Gui Ping Road Shanghai, Xu Hui Di District  
Shanghai 200233, P.R. China  
Phone: +86-21-6237-0898  
Fax: +86-21-6237-0899

### • P.R. China (Hong Kong)

#### Anritsu Company Ltd.

Unit 1006-7, 10/F., Greenfield Tower  
Concordia Plaza  
No. 1 Science Museum Road, Tsim Sha Tsui East  
Kowloon, Hong Kong, P. R. China  
Phone: +852-2301-4980  
Fax: +852-2301-3545

### • Japan

#### Anritsu Corporation

8-5, Tamura-cho, Atsugi-shi  
Kanagawa, 243-0016 Japan  
Phone: +81-46-296-1221  
Fax: +81-46-296-1238

### • Korea

#### Anritsu Corporation, Ltd.

5FL, 235 Pangyoyeok-ro, Bundang-gu, Seongnam-si  
Gyeonggi-do, 13494 Korea  
Phone: +82-31-696-7750  
Fax: +82-31-696-7751

### • Australia

#### Anritsu Pty. Ltd.

Unit 20, 21-35 Ricketts Road,  
Mount Waverley, Victoria 3149, Australia  
Phone: +61-3-9558-8177  
Fax: +61-3-9558-8255

### • Taiwan

#### Anritsu Company Inc.

7F, No. 316, Sec. 1, Neihu Rd, Taipei 114, Taiwan  
Phone: +886-2-8751-1816  
Fax: +886-2-8751-1817

List Revision Date: 20160317