

High Voltage Differential Probes

P5200 * P5205 * P5210

Features

- Bandwidths up to 100 MHz
- Up to 5,600 V Differential (DC + pk AC)
- Up to 2,200 V Common (RMS)
- Overrange Indicator
- Safety Certified
- Switchable Attenuation
- Switchable Bandwidth Limit

Applications

- Floating Measurements
- Switching Power Supply Design
- Motor Drive Design
- Electronic Ballast Design
- CRT Display Design
- Power Converter Design and Service
- Power Device Evaluation

The P5200 can be used with any oscilloscope and enables users to **safely** make measurements of floating circuits with their oscilloscope grounded. The P5200 Active Differential Probe converts floating signals to low voltage ground referenced signals that can be displayed safely and easily on any ground referenced oscilloscope.



P5205.

[> Features](#)

[Ordering Information](#)

[Pricing Information](#)

[Request a Quote](#)

P5200.



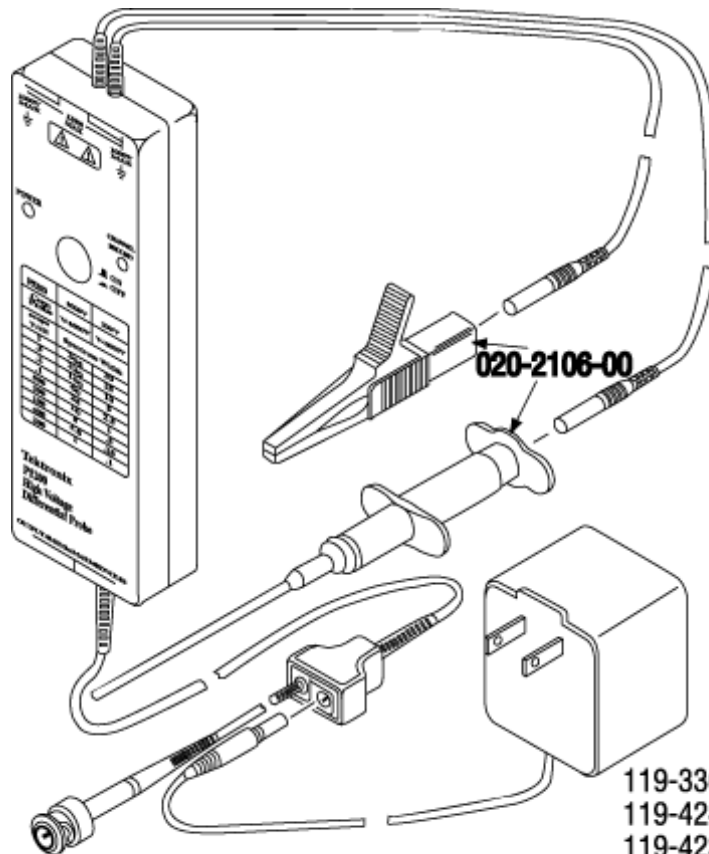
The P5210 is a Differential Probe that is capable of measuring floating voltages up to 5,600 V (DC + pk AC) **safely** and has a bandwidth up to 50 MHz. It is supplied with two sizes of hook tips and has an overrange visual and oral indicator which warns the user when they are exceeding the linear range of the probe. It can be used with Tektronix TEKPROBE™ interface oscilloscopes directly or with any oscilloscope with the use of

the 1103 TEKPROBE Power Supply.

P5210.

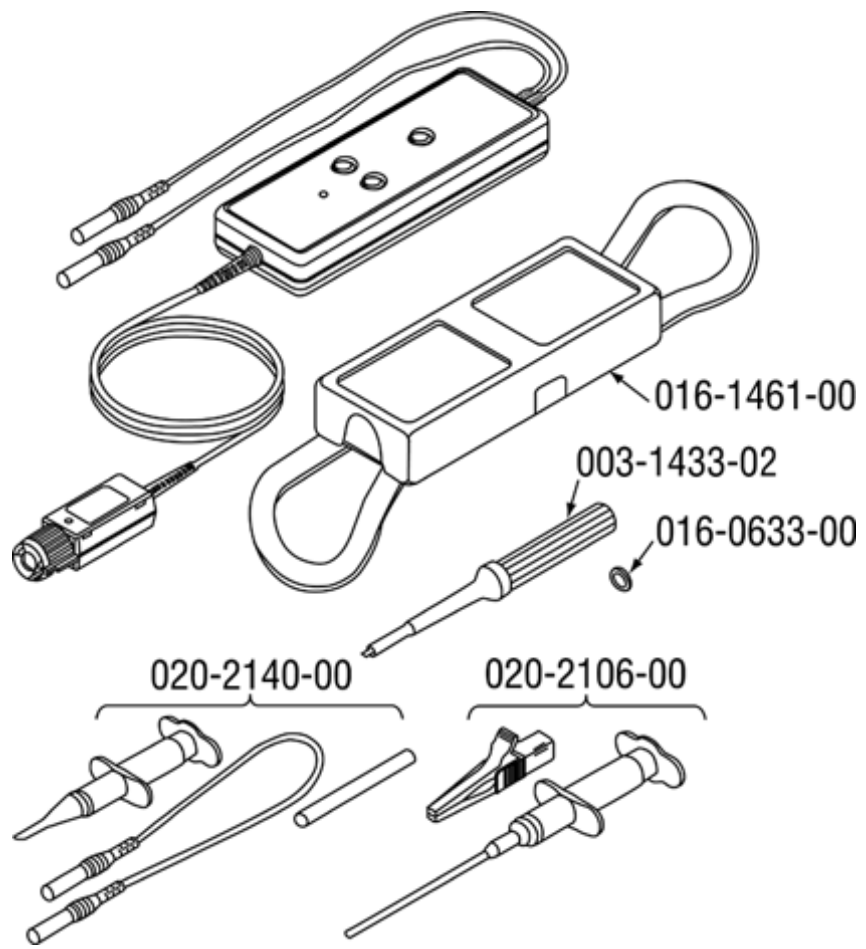


The P5205 is a 100 MHz Active Differential Probe capable of measuring fast rise times of signals in floating circuits. This 1300 V differential probe can measure **safely** voltages in IGBT circuits such as motor drives or power converters. It is specifically designed to operate on Tektronix oscilloscopes with TEKPROBE interface.

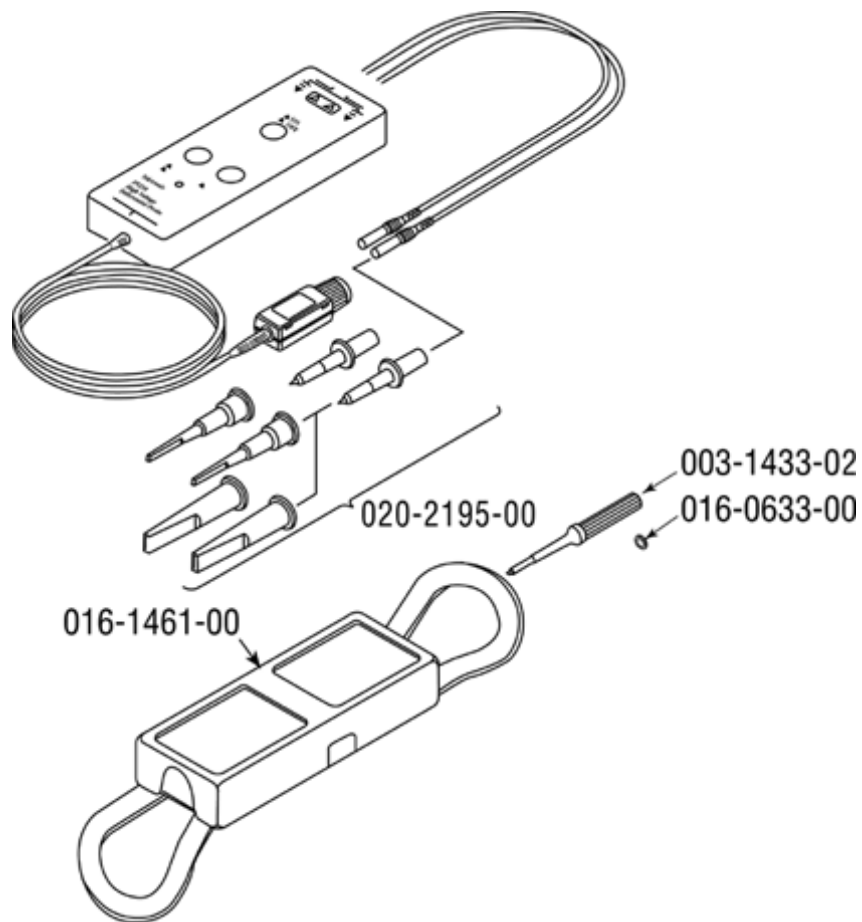


- 119-3306-00 US
- 119-4240-00 Euro
- 119-4239-00 UK
- 119-4238-00 Aust
- 119-4241-00 Japan

P5200.



P5205.



P5210.

Specifications	P5200	P5205	P5210
Differential Voltage DC + pk AC	1300 V	1300 V	5600 V
Bandwidth (-3 dB)	25 MHz	100 MHz	50 MHz
Common Mode Voltage DC + pk AC	1300 V	1300 V	5600 V
Common Mode Voltage RMS CAT II	1000 V	1000 V	2200 V
Common Mode Voltage RMS CAT III	600 V	600 V	1000 V
Attenuation (switchable)	50X/500X	50X/500X	100X/1000X
CMRR @ 60 Hz/1 MHz (typical)	80 dB/50 dB	80 dB/50 dB	80 dB/50 dB
Input R (each input)	4 megaohm	4 megaohm	8 megaohm
Input C (each input)	7 pF	7 pF	7 pF
Power Source	AC wall adapter	TEKPROBE®	TEKPROBE
Safety (all)	UL3111-1/CSA1010.1/CSA1010.2.031/IEC61010-2-031/EN61010-2-031		

Compatible Products	ALL	TDS400/500/600/700/ TDS3000/7054/7104 and 11000 Series	TDS400/500/600/700/ TDS3000/7054/7104 and 11000 Series
---------------------	-----	--	--

[↑ Top of Page](#)

[> Features](#)

[Ordering Information](#)

[Pricing Information](#)

[Request a Quote](#)



Tektronix Measurement products are manufactured in ISO registered facilities.



49A-10733-4p561, 06/1997, 08/03/2000