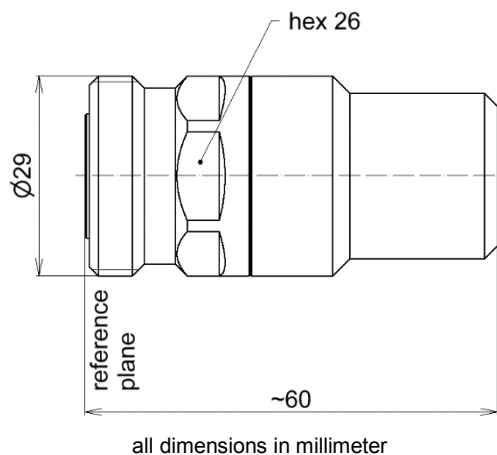


PRECISION LOAD || BN 533732R000



Radio frequency characteristics

Interface type	7-16 socket per IEC 61169-4
Frequency range	DC to 7.5 GHz
Impedance	50 Ω
DC-resistance	50 $\Omega \pm 0.5 \Omega$
Return loss, min.	44 dB @ DC to 7.5 GHz
Power rating, max.	0.5 W

General mechanical data

Center conductor material / surface finish	CuBe age hardened / gold-plated
Outer conductor material / surface finish	copper alloy / gold-plated
Insulation	cross linked polystyrene
Other metallic parts / surface finish	copper alloy / gold-plated
Weight, approx.	0.17 kg
Marking	laser engraving

General environmental conditions

Operation	
Ambient temperature range	+18 to +28°C
Storage	
Ambient temperature range	-40 to +70°C
Relative humidity	95% (non condensing)

Scope of delivery and accessories

Scope of delivery	certificate of calibration, handling instructions
-------------------	---