

# Agilent R/Q/U/V281A,B mm-Wave-to-Coax Adapters 26.5 to 65 GHz

## Technical Overview

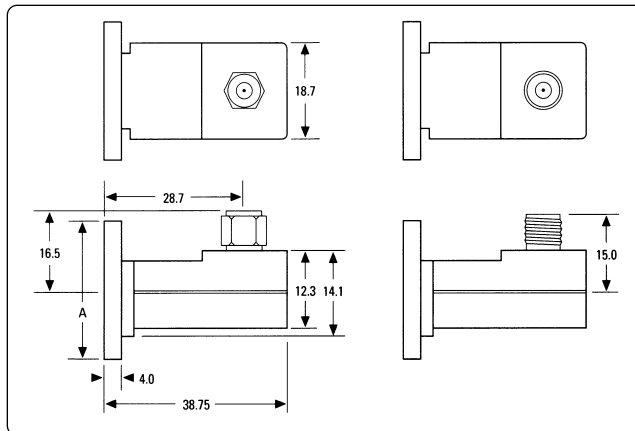


**Dimensions  
in millimeters**  
A = R281: 19.3  
Q281: 28.7  
U281: 28.7

- Excellent repeatability
- Measurement versatility
- WR-28, WR-22, WR-19, WR-15 (R, Q, U, V band) waveguide
- Precision 1.85 mm and 2.4 mm coax connectors

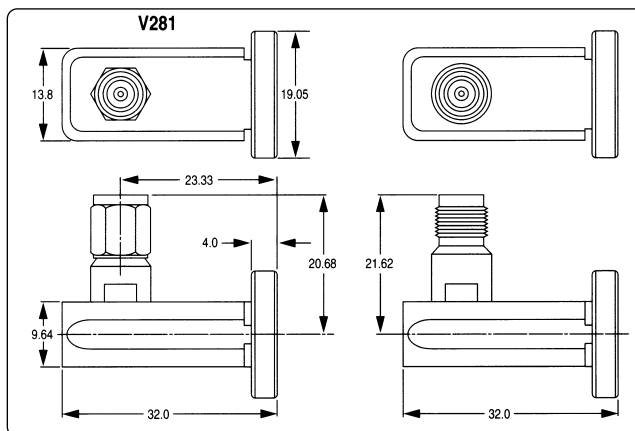
### Increased measurement versatility

The Agilent Technologies 281 family of precision millimeter waveguide-to-coax adapters offer coax measurements to 65 GHz. These adapters provide a simple, low SWR transition between transmission media. You are able to take advantage of stable, low loss and low SWR waveguide when measuring coaxial devices at higher frequencies, or keep the convenience of coax, even when testing waveguide components. R/Q/U/V281 adapters increase the versatility of existing test sets to measure both coax and waveguide components.



### Excellent accuracy

Low SWR transitions reduce mismatch uncertainty and excellent repeatability ensures consistent measurements. Available with both male and female connectors, these adapters help microwave engineers combine the best test components from each transmission media. With the R/Q/U/V281 adapters, engineers can balance the merits of coax and waveguide to achieve the best combination of accuracy, cost and ease-of-use.



## Specifications

**Specifications** describe the instrument's warranted performance over the temperature range 0 to 55°C (except where noted). **Supplemental Characteristics** are intended to provide information useful in applying the instrument by giving typical but nonwarranted performance parameters. These are denoted as "typical", "nominal" or "approximate".

Coax-to-waveguide adapters			Supplemental characteristics			
Model number	Coax connector type <sup>1</sup>	Waveguide number	Frequency (GHZ)	Return loss <sup>2</sup>	Insertion loss <sup>4</sup>	Repeatability <sup>2,3</sup> typically better than:
R281A	2.4 mm (f)	WR-28	26.5 to 40	≥24 dB	≤0.3 dB	≥50 dB
R281B	2.4 mm (m)	WR-28	26.5 to 40	≥24 dB	≤0.3 dB	≥50 dB
Q281A	2.4 mm (f)	WR-22	33 to 50	≥22 dB	≤0.3 dB	≥50 dB
Q281B	2.4 mm (m)	WR-22	33 to 50	≥22 dB	≤0.3 dB	≥50 dB
U281A	1.85 mm (f)	WR-19	40 to 60	≥22 dB <sup>5</sup>	≤0.5 dB	≥50 dB
U281B	1.85 mm (m)	WR-19	40 to 60	≥22 dB <sup>5</sup>	≤0.5 dB	≥50 dB
V281A	1.85 mm (f)	WR-15	50 to 67	≥20 dB	≤0.5 dB	≥50 dB
			67 to 70	≥20 dB <sup>(typical)</sup>		
V281B	1.85 mm (m)	WR-15	50 to 67	≥20 dB	≤0.5 dB	≥50 dB
			67 to 70	≥20 dB <sup>(typical)</sup>		

1 f = jack, m = plug

2 At the coaxial port only

3 Repeatability =  $20 \log | \Delta G |$  where  $| G_{m1} - G_{m2} |$ . This is the difference between two measurements  $G_{m1}$  and  $G_{m2}$  before and after one disconnect/connect cycle at the coax port. Repeatability depends upon proper torque and pin depth.

4 Typical maximum insertion loss for single adapter

5 Typical for single adapter. Mated pair return loss warranted to ≥18 dB.

## Environment

R/Q/U/V281A,B environmental specifications

	Non-operating	Operating
Temperature	-55 to +75° C	0 to +55° C
Humidity	<95% relative at +40° C	<95% relative at +40° C
Altitude	≤15,300 meters (50,000 ft)	<4,600 meters (15,000 ft)

Note: Storage or operation within an environment other than that specified above may cause damage to the product and may void the warranty.

Non-operating environmental specifications apply to storage and shipment. Products should be stored in a clean, dry environment. Operating environmental specifications apply when the product is in use.

## Care, connection and torque

Connector torque and pin depth specifications

Connector type	Torque (±0.5 lb-in)	Torque wrench no.	Connector pin depth (male or female)	Pin depth gage kit part no.	End cap part no.
1.85 mm	8 lb-in (90 N-cm)	8710-1765	U281: 0 to 0.03 mm (0 to 0.0012 in)	85056-60018 (m)	1401-0202 (f)
			V281: 0 to 0.0152 mm (0 to 0.0006 in)	85056-60017 (f)	1401-0208 (m)
2.4 mm	8 lb-in (90 N-cm)	8710-1765	0 to 0.038 mm (0 to 0.0015 in)		1401-0202 (f) 1401-0208 (m)

## Protective caps for waveguide flange

R band 5040-0359  
Q band 1401-0211  
U band 1401-0211  
V band 1401-0227

## Mating 2.4 mm connectors with 1.85 mm connectors

The 1.85 mm coaxial end of the U/V281A,B adapters can be mated directly with 2.4 mm connectors.

## Agilent Technologies' Test and Measurement Support, Services, and Assistance

Agilent Technologies aims to maximize the value you receive, while minimizing your risk and problems. We strive to ensure that you get the test and measurement capabilities you paid for and obtain the support you need. Our extensive support resources and services can help you choose the right Agilent products for your applications and apply them successfully. Every instrument and system we sell has a global warranty. Support is available for at least five years beyond the production life of the product. Two concepts underlie Agilent's overall support policy: "Our Promise" and "Your Advantage."

### Our Promise

Our Promise means your Agilent test and measurement equipment will meet its advertised performance and functionality. When you are choosing new equipment, we will help you with product information, including realistic performance specifications and practical recommendations from experienced test engineers. When you use Agilent equipment, we can verify that it works properly, help with product operation, and provide basic measurement assistance for the use of specified capabilities, at no extra cost upon request. Many self-help tools are available.

### Your Advantage

Your Advantage means that Agilent offers a wide range of additional expert test and measurement services, which you can purchase according to your unique technical and business needs. Solve problems efficiently and gain a competitive edge by contracting with us for calibration, extra-cost upgrades, out-of-warranty repairs, and onsite education and training, as well as design, system integration, project management, and other professional engineering services. Experienced Agilent engineers and technicians worldwide can help you maximize your productivity, optimize the return on investment of your Agilent instruments and systems, and obtain dependable measurement accuracy for the life of those products.

### Agilent T&M Software and Connectivity

Agilent's Test and Measurement software and connectivity products, solutions and developer network allows you to take time out of connecting your instruments to your computer with tools based on PC standards, so you can focus on your tasks, not on your connections. Visit [www.agilent.com/find/connectivity](http://www.agilent.com/find/connectivity) for more information.

### By internet, phone, or fax, get assistance with all your test & measurement needs

#### Phone or Fax

##### United States:

(tel) 800 452 4844

##### Canada:

(tel) 877 894 4414

(fax) 905 282 6495

##### China:

(tel) 800 810 0189

(fax) 800 820 2816

##### Europe:

(tel) (31 20) 547 2323

(fax) (31 20) 547 2390

##### Japan:

(tel) (81) 426 56 7832

(fax) (81) 426 56 7840

##### Korea:

(tel) (82 2) 2004 5004

(fax) (82 2) 2004 5115

##### Latin America:

(tel) (305) 269 7500

(fax) (305) 269 7599

##### Taiwan:

(tel) 0800 047 866

(fax) 0800 286 331

##### Other Asia Pacific Countries:

(tel) (65) 6375 8100

(fax) (65) 6836 0252

Email: [tm\\_asia@agilent.com](mailto:tm_asia@agilent.com)

### Online Assistance

[www.agilent.com/find/assist](http://www.agilent.com/find/assist)

Product specifications and descriptions in this document subject to change without notice.

© Agilent Technologies, Inc. 2001, 2004  
Printed in USA, February 4, 2004  
5965-1225E



Agilent Technologies