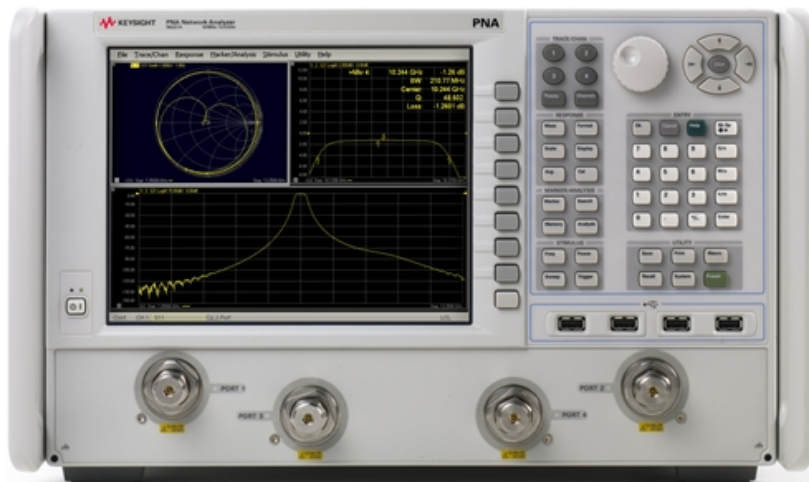


Keysight 2-Port and 4-Port PNA Network Analyzer

N5221A 10 MHz to 13.5 GHz

N5222A 10 MHz to 26.5 GHz



Data Sheet and
Technical
Specifications

Documentation Warranty

THE MATERIAL CONTAINED IN THIS DOCUMENT IS PROVIDED "AS IS," AND IS SUBJECT TO BEING CHANGED, WITHOUT NOTICE, IN FUTURE EDITIONS. FURTHER, TO THE MAXIMUM EXTENT PERMITTED BY APPLICABLE LAW, KEYSIGHT DISCLAIMS ALL WARRANTIES, EITHER EXPRESS OR IMPLIED WITH REGARD TO THIS MANUAL AND ANY INFORMATION CONTAINED HEREIN, INCLUDING BUT NOT LIMITED TO THE IMPLIED WARRANTIES OF MERCHANTABILITY AND FITNESS FOR A PARTICULAR PURPOSE. KEYSIGHT SHALL NOT BE LIABLE FOR ERRORS OR FOR INCIDENTAL OR CONSEQUENTIAL DAMAGES IN CONNECTION WITH THE FURNISHING, USE, OR PERFORMANCE OF THIS DOCUMENT OR ANY INFORMATION CONTAINED HEREIN. SHOULD KEYSIGHT AND THE USER HAVE A SEPARATE WRITTEN AGREEMENT WITH WARRANTY TERMS COVERING THE MATERIAL IN THIS DOCUMENT THAT CONFLICT WITH THESE TERMS, THE WARRANTY TERMS IN THE SEPARATE AGREEMENT WILL CONTROL.

U.S. Government Rights

U.S. Government Rights. The Software is "commercial computer software," as defined by Federal Acquisition Regulation ("FAR") 2.101. Pursuant to FAR 12.212 and 27.405-3 and Department of Defense FAR Supplement ("DFARS") 227.7202, the U.S. government acquires commercial computer software under the same terms by which the software is customarily provided to the public. Accordingly, Keysight provides the Software to U.S. government customers under its standard commercial license, which is embodied in its End User License Agreement (EULA), a copy of which can be found at <http://www.keysight.com/find/sweula>. The license set forth in the EULA represents the exclusive authority by which the U.S. government may use, modify, distribute, or disclose the Software. The EULA and the license set forth therein, does not require or permit, among other things, that Keysight: (1) Furnish technical information related to commercial computer software or commercial computer software documentation that is not customarily provided to the public; or (2) Relinquish to, or otherwise provide, the government rights in excess of these rights customarily provided to the public to use, modify, reproduce, release, perform, display, or disclose commercial computer software or commercial computer software documentation. No additional government requirements beyond those set forth in the EULA shall apply, except to the extent that those terms, rights, or licenses are explicitly required from all providers of commercial computer software pursuant to the FAR and the DFARS and are set forth specifically in writing elsewhere in the EULA. Keysight shall be under no obligation to update, revise or otherwise modify the Software. With respect to any technical data as defined by FAR 2.101, pursuant to FAR 12.211 and 27.404.2 and DFARS 227.7102, the U.S. government acquires no greater than Limited Rights as defined in FAR 27.401 or DFARS 227.7103-5 (c), as applicable in any technical data.

Definitions.....	6
Corrected System Performance.....	7
System Dynamic Range and Receiver Dynamic Range	7
Table 1a. System Dynamic Range and Receiver Dynamic Range, N5221A, Option 200 or 400	8
Table 1b. System Dynamic Range and Receiver Dynamic Range, N5222A, Option 200 or 400.....	8
Table 2. System Dynamic Range at Test Port (dB).....	9
Table 3. Extended Dynamic Range at Direct Receiver Access Input (dB) - Specification.....	9
Corrected System Performance, All Options.....	10
Table 4a. N5221A and N5222A with 85052B Calibration Kit - Specification.....	11
Table 4b. N5221A and N5222A with N4691B 2-Port Electronic Calibration Module	12
Table 4c. N5221A and N5222A with N4433A 4-Port Electronic Calibration Module.....	13
Uncorrected System Performance.....	14
Table 5a. Error Terms (dB), All Ports, All Options - Specifications.....	14
Table 5b. Error Terms (dB), All Ports, All Options - Typical.....	14
Test Port Output	15
Table 6. Frequency Information, All Options	15
Table 7a. Maximum Leveled Power (dBm) - Specification	15
Table 7b. Maximum Leveled Power (dBm) - Typical	16
Table 8. Power Level Accuracy (dB), All Options	16
Table 9a. Power Level Linearity (dB), All Options - Specification	16
Table 9b. Power Level Linearity (dB), All Options - Specification	17
Table 10a. Power Sweep Range (dB), All Options - Specification	17
Table 10b. Power Sweep Range (dB), All Options - Typical	17
Table 11. Nominal (Preset) Power (dBm)	18
Table 12. Power Resolution and Maximum/Minimum Settable Power, All Options	18
Table 13. 2 nd and 3 rd Harmonics at Max Specified Power (dBc) All Options - Typical	18
Table 14. Non-Harmonic Spurs at Nominal Power (dBc), All Options - Typical.....	18
Table 15. Phase Noise (dBc/Hz), All Options - Typical.....	19
Test Port Input	20
Table 16. Test Port Noise Floor (dBm) @ 10 Hz IFBW, All Options.....	20
Table 17. Direct Receiver Access Input Noise Floor (dBm), Options 201, 217, 219, 401, 417, 419	20
Table 18a. 0.1 dB Receiver Compression at Test Port (dBm), Option 201, 217, 219, 401, 417, 419 - Typical..	21
Table 18b. Receiver Compression at Test Port Power - Specification	21
Table 18c. Receiver Compression at Test Port Power - Specification	21
Table 19. Trace Noise Magnitude (dB rms).....	22

Table 20. Trace Noise Phase (deg rms)	22
Table 21. Reference Level Magnitude, All Options - Specification	22
Table 22. Stability, All Options - Typical	23
Table 23. Damage Input Level	23
Dynamic Accuracy	24
Table 24. N5221A and N5222A Dynamic Accuracy	24
Table 25. Group Delay - Typical	26
General Information	27
Table 26. Miscellaneous Information	27
Table 27. Front Panel Information, All Options	27
Table 28. Rear Panel Information, All Options	28
Table 29. Analyzer Dimensions and Weight	32
Regulatory and Environmental Information.....	32
Measurement Throughput Summary.....	33
Table 30a. Typical Cycle Time (ms) for Measurement Completion, All Models / Options	33
Table 30b. N5221A Typical Cycle Time (ms) for Full-Span Measurement Completion	33
Table 30c. N5222A Typical Cycle Time (ms) for Full-Span Measurement Completion	34
Table 31. Cycle Time vs. IF Bandwidth - Typical.....	34
Table 32. Cycle Time vs. Number of Points - Typical	34
Table 33. Data Transfer Time (ms) - Typical.....	35
Specifications: Front-Panel Jumpers	37
Table 34. Measurement Receiver Inputs (dBm) – Typical	37
Table 35. Reference Receiver Inputs and Reference Source Outputs (dBm) - Typical	38
Table 36. Reference Receiver Inputs and Reference Source Outputs (dBm) - Typical	38
Table 37. Source Outputs (dBm) - Typical	39
Table 38. Coupler Inputs (dB) - Typical	39
Table 39. Damage Level - Typical	40
Test Set Block Diagrams.....	41
N5221A and N5222A Option 200 (2-port base model)	41
N5221A and N5222A Option 201	42
N5221A and N5222A Option 217	42
N5221A and N5222A Option 219	43
N5221A and N5222A Option 400 (4-port base model)	44
N5221A and N5222A Option 401	44
N5221A and N5222A Option 417	45

N5221A and N5222A Option 419	45
Receiver Block Diagram	46

This is a complete list of the technical specifications for the N5221A and N5222A PNA Series network analyzers with the following options. See block diagrams for all models and options beginning on page 41.

2-Port Models

Option 200 - 2-port base model with standard test set.

Option 201 - To base model, adds front-panel jumpers and R1 receiver switch.

Option 217 - To base model, adds front-panel jumpers, R1 receiver switch, and source and receiver attenuators (extended power range).

Option 219 - To base model, adds front-panel jumpers, R1 receiver switch, source and receiver attenuators (extended power range), and bias-tees.

4-Port Models

Option 400 - 4-port base model with standard test set.

Option 401 - To base model, adds front-panel jumpers and R1 receiver switch.

Option 417 - To base model, adds front-panel jumpers, R1 receiver switch, and source and receiver attenuators (extended power range).

Option 419 - To base model, adds front-panel jumpers, R1 receiver switch, source and receiver attenuators (extended power range), and bias-tees.

Notes

This document provides technical specifications for the 85052B, N4691B and N4433A calibration kits.

Please download our free Uncertainty Calculator from http://www.keysight.com/find/na_calculator to generate the curves for your calibration kit and PNA setup.

For all tables in this data sheet, the specified performance at the exact frequency of a break is the degraded value of the two specifications at that frequency.

Definitions

All specifications and characteristics apply over a 25 °C ±5 °C range (unless otherwise stated) and 90 minutes after the instrument has been turned on.

Specification (spec.): Warranted performance. Specifications include guardbands to account for the expected statistical performance distribution, measurement uncertainties, and changes in performance due to environmental conditions.

Characteristic (char.): A performance parameter that the product is expected to meet before it leaves the factory, but that is not verified in the field and is not covered by the product warranty. A characteristic includes the same guardbands as a specification.

Typical (typ.): Expected performance of an average unit which does not include guardbands. It is not covered by the product warranty.

Nominal (nom.): A general, descriptive term that does not imply a level of performance. It is not covered by the product warranty.

Calibration: The process of measuring known standards to characterize a network analyzer's systematic (repeatable) errors.

Corrected (residual): Indicates performance after error correction (calibration). It is determined by the quality of calibration standards and how well "known" they are, plus system repeatability, stability, and noise.

Uncorrected (raw): Indicates instrument performance without error correction. The uncorrected performance affects the stability of a calibration.

Standard: When referring to the analyzer, this includes no options unless noted otherwise.

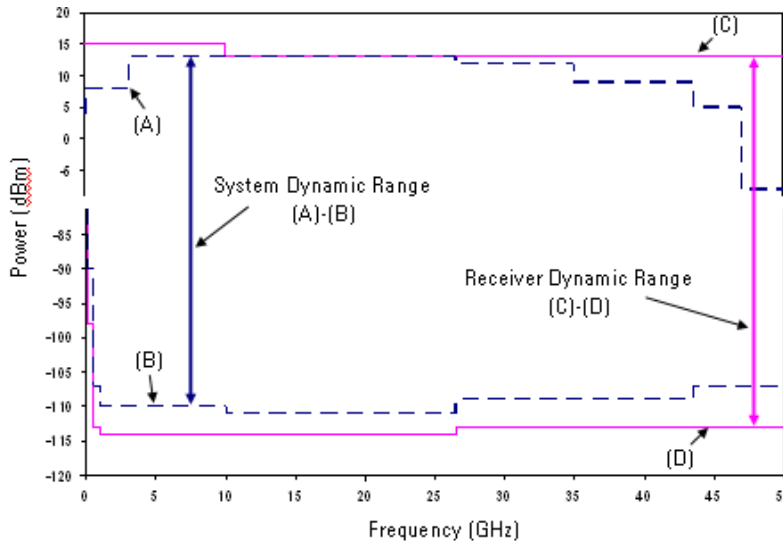
Corrected System Performance

The specifications in this section apply for measurements made with the N5221A and N5222A PNA network analyzers with the following conditions:

- § 10 Hz IF bandwidth
- § No averaging applied to data
- § Isolation calibration with an averaging factor of 8

System Dynamic Range and Receiver Dynamic Range

- § **System Dynamic Range** is defined as the specified source maximum output power (spec) minus the noise floor (spec).
- § **Extended Dynamic Range at Direct Access Input** is defined as the specified source maximum output power (spec) minus the direct receiver access input noise floor (spec).
- § **Receiver Dynamic Range** is defined as the test port compression at 0.1 dB (typical) minus the noise floor (typical).



NOTE

The effective dynamic range must take measurement uncertainties and interfering signals into account. This set-up should only be used when the receiver input will never exceed its maximum receiver input. When the analyzer is in segment sweep mode, it can have predefined frequency segments which will output a higher power level when the extended dynamic range is required (i.e. devices with high insertion loss), and reduced power when the maximum receiver input level will occur (i.e. devices with low insertion loss). The extended range is only available in one-path transmission measurements.

It may typically be degraded at particular frequencies below 500 MHz due to spurious receiver residuals.

Table 1a. System Dynamic Range and Receiver Dynamic Range, N5221A, Option 200 or 400

Description	Specification			Typical		
	System Dynamic Range (dB) (A)-(B)	Max Leveled Output Power (dBm) (A)	Test Port Noise Floor (dBm) (B)	Receiver Dynamic Range (dB) (C)-(D)	0.1 dB Compression at Test Port (dBm) (C)	Test Port Noise Floor (dBm) (D)
10 MHz to 50 MHz	94	12	-82	103	15	-88
50 MHz to 100 MHz	108	13	-95	118	15	-103
100 MHz to 500 MHz	118	13	-105	122	12	-110
500 MHz to 2 GHz	127	13	-114	130	12	-118
2 GHz to 13.5 GHz	127	13	-114	131	12	-119

Table 1b. System Dynamic Range and Receiver Dynamic Range, N5222A, Option 200 or 400

Description	Specification			Typical		
	System Dynamic Range (dB) (A)-(B)	Max Leveled Output Power (dBm) (A)	Test Port Noise Floor (dBm) (B)	Receiver Dynamic Range (dB) (C)-(D)	0.1 dB Compression at Test Port (dBm) (C)	Test Port Noise Floor (dBm) (D)
10 MHz to 50 MHz	94	12	-82	103	15	-88
50 MHz to 100 MHz	108	13	-95	118	15	-103
100 MHz to 500 MHz	118	13	-105	122	12	-110
500 MHz to 2 GHz	127	13	-114	130	12	-118
2 GHz to 13.5 GHz	127	13	-114	131	12	-119
13.5 GHz to 20 GHz	127	13	-114	132	12	-120
20 GHz to 24 GHz	124	13	-111	128	10	-118
24 GHz to 26.5 GHz	114	7	-107	126	10	-116

Table 2. System Dynamic Range at Test Port (dB)

Description	Specification			Typical		
	Option 200, 400	Option 201, 401	Option 217, 219, 417, 419	Option 200, 400	Option 201, 401	Option 217, 219, 417, 419
10 MHz to 50 MHz	94	94	94	108	108	108
50 MHz to 100 MHz	108	108	108	123	123	123
100 MHz to 500 MHz	118	118	118	130	130	130
500 MHz to 2 GHz	127	127	127	138	138	138
2 GHz to 3.2 GHz	127	127	127	139	139	139
3.2 GHz to 10 GHz	127	127	127	141	141	141
10 GHz to 13.5 GHz	127	127	127	141	141	140
13.5 GHz to 16 GHz	127	127	127	140	140	139
16 GHz to 20 GHz	127	127	124	140	140	138
20 GHz to 24 GHz	124	124	121	136	136	134
24 GHz to 26.5 GHz	114	114	111	130	130	128

Table 3. Extended Dynamic Range at Direct Receiver Access Input (dB) - Specification

Description	Option 201, 401	Option 217, 219, 417, 419
10 MHz to 50 MHz	130	130
50 MHz to 100 MHz	120	120
100 MHz to 500 MHz	130	130
500 MHz to 19 GHz	139	139
19 GHz to 20 GHz	139	136
20 GHz to 24 GHz	136	133
24 GHz to 26.5 GHz	126	123

Corrected System Performance, All Options

For any S_{ii} reflection measurement:

- $S_{jj} = 0$.

For any S_{ij} transmission measurement:

- $S_{ji} = S_{ij}$ when $S_{ij} \leq 1$
- $S_{ji} = 1/S_{ij}$ when $S_{ij} > 1$
- $S_{kk} = 0$ for all k

Applies to the N5221A/2A Option 200, 201, 217, 219, 400, 401, 417 or 419 analyzers, 85131F flexible test port cable set, and a full 2-port calibration. Also applies to the following condition:

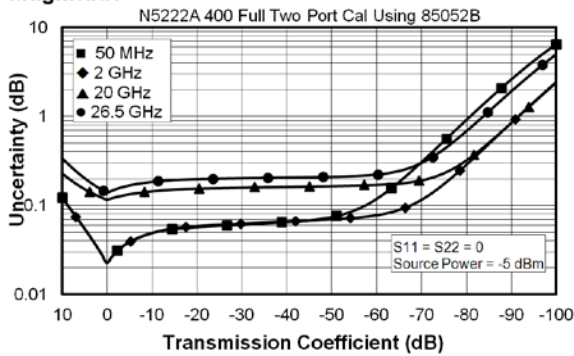
Environmental temperature $23^{\circ} \pm 3^{\circ} \text{C}$, with $< 1^{\circ} \text{C}$ deviation from calibration temperature

Table 4a. N5221A and N5222A with 85052B Calibration Kit - Specification

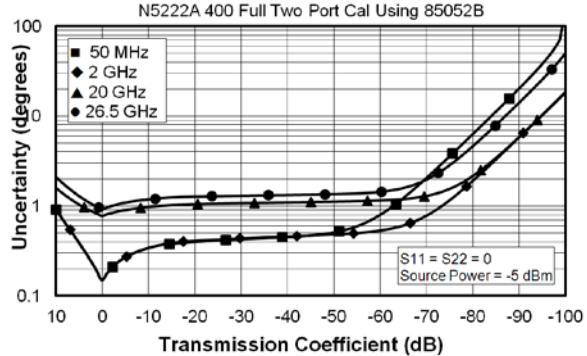
Description	Specification (dB)					
	10 MHz to 50 MHz	50 MHz to 500 MHz	500 MHz to 2 GHz	2 GHz to 13.5 GHz	13.5 GHz to 20 GHz	20 GHz to 26.5 GHz
Directivity	48	48	48	44	44	44
Source Match	40	40	40	31	31	31
Load Match	48	48	48	44	44	44
Reflection Tracking						
Mag	±0.003	±0.003	±0.003	±0.006	±0.006	±0.006
Phase (°)	±0.020	±0.020	±0.020	±0.040	±0.040	±0.040
Transmission Tracking						
Mag	±0.034	±0.017	±0.017	±0.091	±0.104	±0.119
Phase (°)	±0.225	±0.110	±0.110	±0.602	±0.688	±0.788

Transmission Uncertainty, All Options

Magnitude

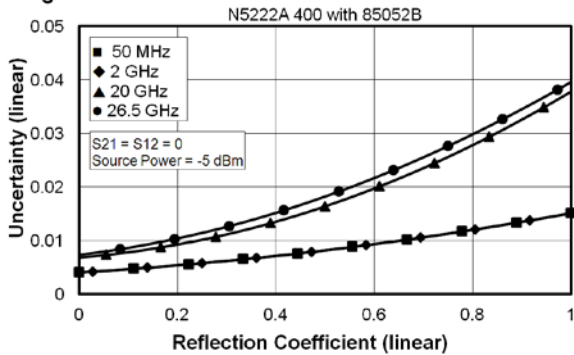


Phase



Reflection Uncertainty, All Options

Magnitude



Phase

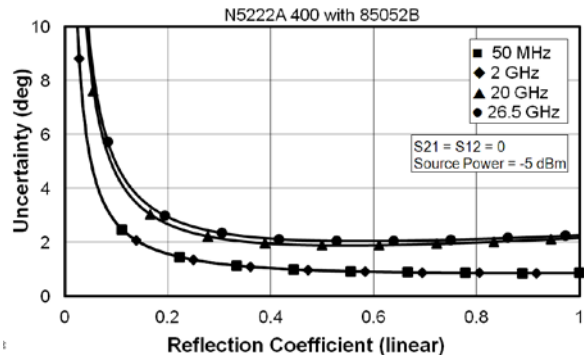
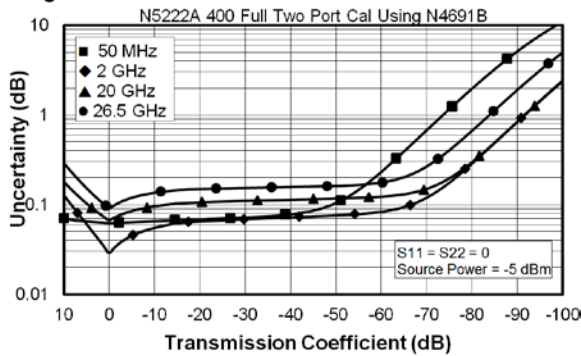


Table 4b. N5221A and N5222A with N4691B 2-Port Electronic Calibration Module

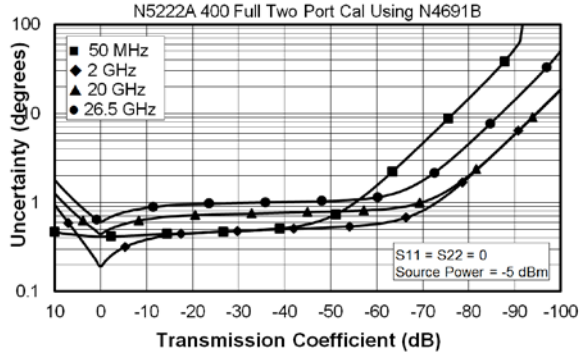
Description	Specification (dB)					
	10 MHz to 50 MHz	50 MHz to 500 MHz	500 MHz to 2 GHz	2 GHz to 13.5 GHz	13.5 GHz to 20 GHz	20 GHz to 26.5 GHz
Directivity	46	46	52	46	46	44
Source Match	41	41	47	42	42	40
Load Match	40	40	46	41	40	38
Reflection Tracking						
Mag	±0.050	±0.050	±0.020	±0.040	±0.040	±0.050
Phase (°)	±0.330	±0.330	±0.132	±0.264	±0.264	±0.330
Transmission Tracking						
Mag	±0.062	±0.056	±0.023	±0.054	±0.055	±0.072
Phase (°)	±0.410	±0.370	±0.152	±0.354	±0.365	±0.473

Transmission Uncertainty, All Options

Magnitude

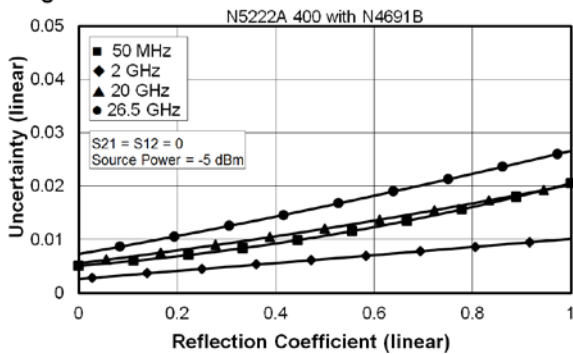


Phase



Reflection Uncertainty, All Options

Magnitude



Phase

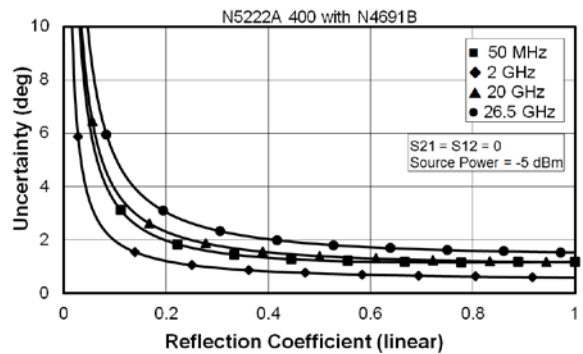
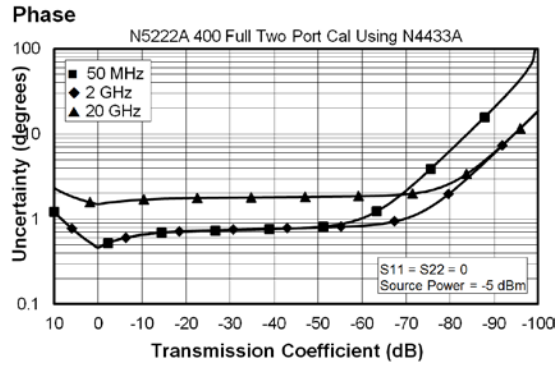
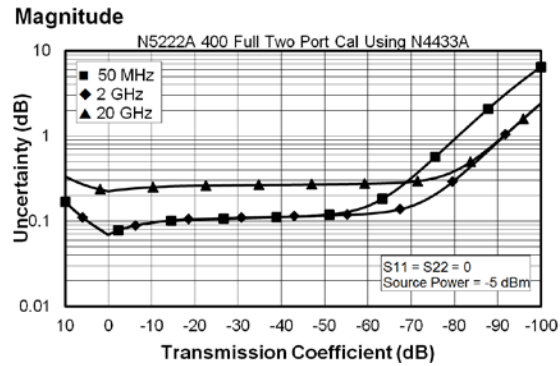


Table 4c. N5221A and N5222A with N4433A 4-Port Electronic Calibration Module

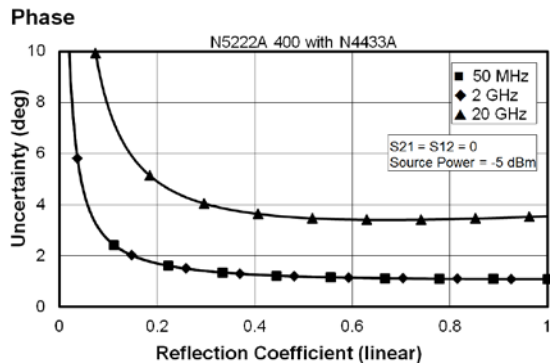
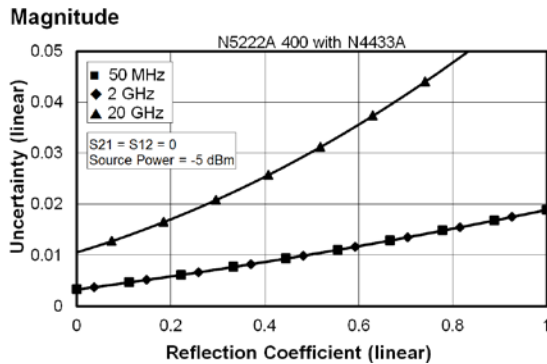
NOTE Uncertainty curves for the N4433A are created using a 2-port calibration. Multiport uncertainties are not supported at this time.

Description	Specification (dB)				
	10 MHz to 50 MHz	50 MHz to 500 MHz	500 MHz to 2 GHz	2 GHz to 13.5 GHz	13.5 GHz to 20 GHz
Directivity	50	50	50	45	40
Source Match	42	42	42	37	31
Load Match	40	41	41	35	29
Reflection Tracking					
Mag	±0.060	±0.060	±0.060	±0.100	±0.180
Phase (°)	±0.396	±0.396	±0.396	±0.660	±1.188
Transmission Tracking					
Mag	±0.068	±0.064	±0.064	±0.115	±0.210
Phase (°)	±0.447	±0.421	±0.421	±0.761	±1.387

Transmission Uncertainty, All Options



Reflection Uncertainty, All Options



Uncorrected System Performance

Specifications apply to following conditions:

- Over environmental temperature of 25 °C ±5 °C, with less than 1°C variation from the calibration temperature.
- Cable loss not included in Transmission Tracking.
- Crosstalk measurement conditions: normalized to a thru, measured with shorts on all ports, 10 Hz IF bandwidth, averaging factor of 8, alternate mode, source power set to the specified maximum power.

Table 5a. Error Terms (dB), All Ports, All Options - Specifications

Description	Directivity	Source Match	Load Match	Transmission Tracking	Reflection Tracking	Crosstalk
10 MHz to 50 MHz	16	11	11	--	--	--
50 MHz to 3.2 GHz	24	18	17	--	--	--
3.2 GHz to 10 GHz	23	14	13	--	--	--
10 GHz to 16 GHz	16	12	10	--	--	--
16 GHz to 24 GHz	16	10	9	--	--	--
24 GHz to 26.5 GHz	16	8	8	--	--	--

Table 5b. Error Terms (dB), All Ports, All Options - Typical

Description	Directivity	Source Match	Load Match	Transmission Tracking	Reflection Tracking	Crosstalk
10 MHz to 50 MHz	23	17	16	+/- 1.5	+/- 1.5	-84
50 MHz to 100 MHz	29	29	28	+/- 1.5	+/- 1.5	-90
100 MHz to 500 MHz	29	29	28	+/- 1.5	+/- 1.5	-110
500 MHz to 3.2 GHz	31	24	22	+/- 1.5	+/- 1.5	-120
3.2 GHz to 10 GHz	25	19	17	+/- 1.5	+/- 1.5	-122
10 GHz to 13.5 GHz	21	17	15	+/- 1.5	+/- 1.5	-122
13.5 GHz to 16 GHz	20	16	15	+/- 1.5	+/- 1.5	-122
16 GHz to 20 GHz	20	15	15	+/- 1.5	+/- 1.5	-122
20 GHz to 24 GHz	19	13	13	+/- 1.5	+/- 1.5	-117
24 GHz to 26.5 GHz	20	13	13	+/- 1.5	+/- 1.5	-114

Test Port Output

See Block diagrams for all models and option beginning on page 41.

Table 6. Frequency Information, All Options

Description	Specification	Typical
N5221A Frequency Range	10 MHz to 13.5 GHz	--
N5222A Frequency Range	10 MHz to 26.5 GHz	--
Frequency Resolution	1 Hz	--
Frequency Accuracy	+/- 1 ppm	--
Frequency Stability	--	+/-0.05 ppm, -10° to 70° C ¹ +/-0.1 ppm/yr maximum ²

¹ Assumes no variation in time.

² Assumes no variation in temperature.

Table 7a. Maximum Leveled Power (dBm) - Specification

Description	Option 200, 400, 201, 401		Option 217, 417, 219, 419	
	Port 1, Port 3	Port 2, Port 4	Port 1, Port 3	Port 2, Port 4
10 MHz to 50 MHz	12	12	12	12
50 MHz to 16 GHz	13	13	13	13
16 GHz to 20 GHz	13	12	10	10
20 GHz to 24 GHz	13	10	10	7
24 GHz to 26.5 GHz	7	5	4	2

Table 7b. Maximum Leveled Power (dBm) - Typical

Description	Option 200, 400, 201, 401		Option 217, 417, 219, 419	
	Port 1, Port 3	Port 2, Port 4	Port 1, Port 3	Port 2, Port 4
10 MHz to 50 MHz	20	17	20	17
50 MHz to 500 MHz	20	18	20	18
500 MHz to 1 GHz	20	20	19	20
1 GHz to 3.2 GHz	19	20	19	20
3.2 GHz to 10 GHz	22	21	22	21
10 GHz to 13.5 GHz	22	19	21	18
13.5 GHz to 16 GHz	20	18	19	17
16 GHz to 20 GHz	20	16	18	14
20 GHz to 24 GHz	18	14	16	12
24 GHz to 26.5 GHz	14	11	12	9

Table 8. Power Level Accuracy (dB) at Nominal Power¹, All Options

Description	Specification	Typical
10 MHz to 50 MHz	+/- 1.5	+/- 0.5
50 MHz to 500 MHz	+/- 1.0	+/- 0.2
500 MHz to 3.2 GHz	+/- 1.0	+/- 0.1
3.2 GHz to 10 GHz	+/- 1.0	+/- 0.2
10 GHz to 13.5 GHz	+/- 1.2	+/- 0.2
13.5 GHz to 18 GHz	+/- 2.0	+/- 0.3
18 GHz to 26.5 GHz	+/- 2.5	+/- 0.4

¹ Level accuracy at power other than nominal power, Power Level Accuracy (dB) at Nominal Power + Power Level Linearity (dB).

Table 9a. Power Level Linearity¹ (dB), All Options - Specification

Description	Port 1 or 3 ²	Port 1 or 3 ²	Port 1 or 3 ²
	-25dBm ≤ P < -20dBm	-20dBm ≤ P < -15dBm	P ≥ -15dBm
10 MHz to 50 MHz	+/-2.0	+/-1.5	+/-1.5
50 MHz to 26.5 GHz	+/-1.5	+/-1.5	+/-1.5

¹ Referenced to nominal power.

² Either port can be used as the source port.

Table 9b. Power Level Linearity¹ (dB), All Options - Specification

Description	Port 2 or 4 ²		Port 2 or 4 ²
	-25dBm ≤ P < -20dBm	-20dBm ≤ P < -15dBm	P ≥ -15dBm
10 MHz to 50 MHz	+/-2.5	+/-1.5	+/-1.5
50 MHz to 500 MHz	+/-2.0	+/-1.5	+/-1.5
500 MHz to 26.5 GHz	+/-1.5	+/-1.5	+/-1.5

¹ Referenced to nominal power.

² Either port can be used as the source port.

Table 10a. Power Sweep Range (dB), All Options - Specification

Description	Option 200, 400, 201, 401		Option 217, 417, 219, 419	
	Port 1, Port 3	Port 2, Port 4	Port 1, Port 3	Port 2, Port 4
10 MHz to 50 MHz	37	37	37	37
50 MHz to 16 GHz	38	38	38	38
16 GHz to 20 GHz	38	37	35	35
20 GHz to 24 GHz	38	35	35	32
24 GHz to 26.5 GHz	32	30	29	27

Table 10b. Power Sweep Range (dB), All Options - Typical

Description	Option 200, 400, 201, 401		Option 217, 417, 219, 419	
	Port 1, Port 3	Port 2, Port 4	Port 1, Port 3	Port 2, Port 4
10 MHz to 50 MHz	47	44	47	44
50 MHz to 500 MHz	47	45	47	45
500 MHz to 1 GHz	47	47	46	47
1 GHz to 3.2 GHz	46	47	46	47
3.2 GHz to 10 GHz	49	48	49	48
10 GHz to 13.5 GHz	49	46	48	45
13.5 GHz to 16 GHz	47	45	46	44
16 GHz to 20 GHz	47	43	45	41
20 GHz to 24 GHz	45	41	43	39
24 GHz to 26.5 GHz	41	38	39	36

Table 11. Nominal (Preset) Power (dBm)

Description	Option 200, 201, 400, 401	Option 217, 219, 417, 419
Preset Power	0	-5

Table 12. Power Resolution and Maximum/Minimum Settable Power, All Options

Description	Specification (dB)	Typical (dBm)
Power Resolution	0.01	--
Maximum Settable Power	--	30
Minimum Settable Power		
Option 200, 201, 400, 401	--	-30
Option 217, 219, 417, 419	--	-95

Table 13. 2nd and 3rd Harmonics at Max Specified Power (dBc) All Options - Typical

Listed frequency is harmonic frequency; test at max specified power

Description	N5221A	N5222A
20 MHz to 4 GHz	-15	-15
4 GHz to 13.5 GHz	-19	-19
13.5 GHz to 24 GHz	--	-19
24 GHz to 26.5 GHz	--	-21

Table 14. Non-Harmonic Spurs at Nominal Power (dBc), All Options - Typical

Offset frequency = 30 kHz to 5 MHz

Description	Based on 8kHz offset Frac-N	Based on 100kHz offset Frac-N
10 MHz to 500 MHz	-50	-50
500 MHz to 2 GHz	-60	-42
2 GHz to 4 GHz	-57	-45
4 GHz to 8 GHz	-51	-39
8 GHz to 16 GHz	-45	-33
16 GHz to 26.5 GHz	-39	-27

Table 15. Phase Noise (dBc/Hz), All Options - Typical

Description	1 kHz Offset	10 kHz Offset	100 kHz Offset	1 MHz Offset
10 MHz to 50 MHz	-100	-95	-95	-120
50 MHz to 1 GHz	-107	-117	-112	-127
1 GHz to 2 GHz	-101	-111	-106	-121
2 GHz to 4 GHz	-95	-105	-100	-115
4 GHz to 8 GHz	-89	-99	-94	-109
8 GHz to 16 GHz	-83	-93	-88	-103
16 GHz to 26.5 GHz	-77	-87	-82	-97

Test Port Input

Table 16. Test Port Noise Floor (dBm) @ 10 Hz IFBW, All Options

Total average (rms) noise power calculated as the mean value of a linear magnitude trace expressed in dBm.
May typically be degraded at particular frequencies below 500 MHz due to spurious receiver residuals.

Description	Specification		Typical	
	N5221A	N5222A	N5221A	N5222A
10 MHz to 50 MHz	-82	-82	-88	-88
50 MHz to 100 MHz	-95	-95	-103	-103
100 MHz to 500 MHz	-105	-105	-110	-110
500 MHz to 2 GHz	-114	-114	-118	-118
2 GHz to 13.5 GHz	-114	-114	-119	-119
13.5 GHz to 20 GHz	--	-114	--	-120
20 GHz to 24 GHz	--	-111	--	-118
24 GHz to 26.5 GHz	--	-107	--	-116

Table 17. Direct Receiver Access Input Noise Floor (dBm), Options 201, 217, 219, 401, 417, 419

Total average (rms) noise power calculated as the mean value of a linear magnitude trace expressed in dBm.
May typically be degraded at particular frequencies below 500 MHz due to spurious receiver residuals.

Description	Specification		Typical	
	N5221A	N5222A	N5221A	N5222A
10 MHz to 50 MHz	-118	-118	-133	-133
50 MHz to 100 MHz	-107	-107	-129	-129
100 MHz to 250 MHz	-117	-117	-136	-136
250 MHz to 500 MHz	-117	-117	-130	-130
500 MHz to 2 GHz	-126	-126	-133	-133
2 GHz to 13.5 GHz	-126	-126	-134	-134
13.5 GHz to 20 GHz	--	-126	--	-135
20 GHz to 24 GHz	--	-123	--	-133
24 GHz to 26.5 GHz	--	-119	--	-131

Table 18a. 0.1 dB Receiver Compression at Test Port (dBm), Option 201, 217, 219, 401, 417, 419 - Typical

Description	N5221A	N5222A
10 MHz to 100 MHz	15	15
100 MHz to 13.5 GHz	12	12
13.5 GHz to 20 GHz	--	12
20 GHz to 26.5 GHz	--	10

Table 18b. Receiver Compression at Test Port Power - Specification

Description	Test Port Power (dBm)	Receiver Compression	
	Option 200, 400	Magnitude (dB)	Phase (degrees)
10 MHz to 500 MHz ¹	--	--	--
500 MHz to 16 GHz	8	0.21	1.60
16 GHz to 24 GHz	8	0.24	1.73
24 GHz to 26.5 GHz	8	0.42	2.51

¹Test port receiver compression at specified input levels below 500 MHz due to coupler roll off in this frequency range.

Table 18c. Receiver Compression at Test Port Power - Specification

Description	Test Port Power (dBm)			Receiver Compression	
	Option 201, 401	Option 217, 417	Option 219, 419	Magnitude (dB)	Phase (degrees)
10 MHz to 500 MHz ¹	--	--	--	--	--
500 MHz to 16 GHz	8	8	8	0.17	0.97
16 GHz to 24 GHz	8	8	8	0.23	1.20
24 GHz to 26.5 GHz	8	8	8	0.29	1.74

¹Test port receiver compression at specified input levels below 500 MHz due to coupler roll off in this frequency range.

Table 19. Trace Noise Magnitude (dB rms)

Ratioed measurement, nominal power at test port.

Description	Specification	Typical		
	1 kHz IFBW	1 kHz IFBW	100 kHz IFBW	600 kHz IFBW
10 MHz to 100 MHz	0.007	0.0036	0.053	0.103
100 MHz to 13.5 GHz	0.002	0.0005	0.004	0.010
13.5 GHz to 16 GHz	0.002	0.0003	0.003	0.007
16 GHz to 22.5 GHz	0.002	0.0005	0.003	0.007
22.5 GHz to 24 GHz	0.003	0.0008	0.004	0.011
24 GHz to 26.5 GHz	0.005	0.0012	0.007	0.017

Table 20. Trace Noise Phase (deg rms)

Ratioed measurement, nominal power at test port.

Description	Specification	Typical		
	1 kHz IFBW	1 kHz IFBW	100 kHz IFBW	600 kHz IFBW
10 MHz to 100 MHz	0.051	0.0237	0.341	0.663
100 MHz to 13.5 GHz	0.015	0.0045	0.027	0.067
13.5 GHz to 16 GHz	0.042	0.0045	0.019	0.042
16 GHz to 22.5 GHz	0.042	0.0075	0.024	0.050
22.5 GHz to 24 GHz	0.054	0.0080	0.031	0.073
24 GHz to 26.5 GHz	0.054	0.0128	0.049	0.118

Table 21. Reference Level Magnitude, All Options - Specification

Description	Magnitude (dB)	Phase (degrees)
Range	+/- 500	+/- 500
Resolution	0.001	0.01

Table 22. Stability, All Options - Typical

Description	Magnitude (dB/°C)	Phase (°/°C)
10 MHz to 50 MHz	0.010	0.180
50 MHz to 500 MHz	0.010	0.060
500 MHz to 3.2 GHz	0.010	0.080
3.2 GHz to 10 GHz	0.020	0.130
10 GHz to 13.5 GHz	0.020	0.160
13.5 GHz to 16 GHz	0.020	0.300
16 GHz to 20 GHz	0.020	0.400
20 GHz to 24 GHz	0.030	0.500
24 GHz to 26.5 GHz	0.030	0.560

Table 23. Damage Input Level

Description	Option 200, 201, 219, 400, 401, 419	Option 217, 417
RF , DC	30 dBm, 40 V	30 dBm, 7 V

Dynamic Accuracy

Dynamic accuracy is verified with the following measurements:

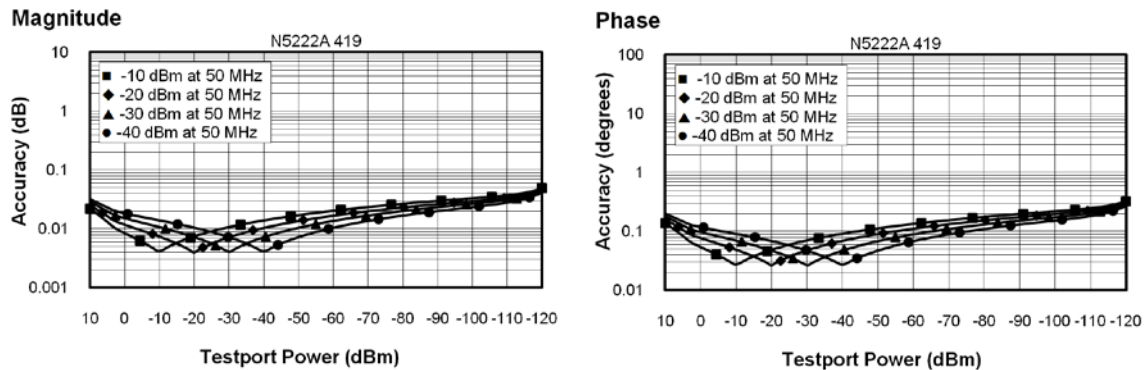
Compression over frequency

IF linearity at a single frequency of 1.998765GHz using a reference level of -20 dBm for an input power range of 0 to -60 dBm.

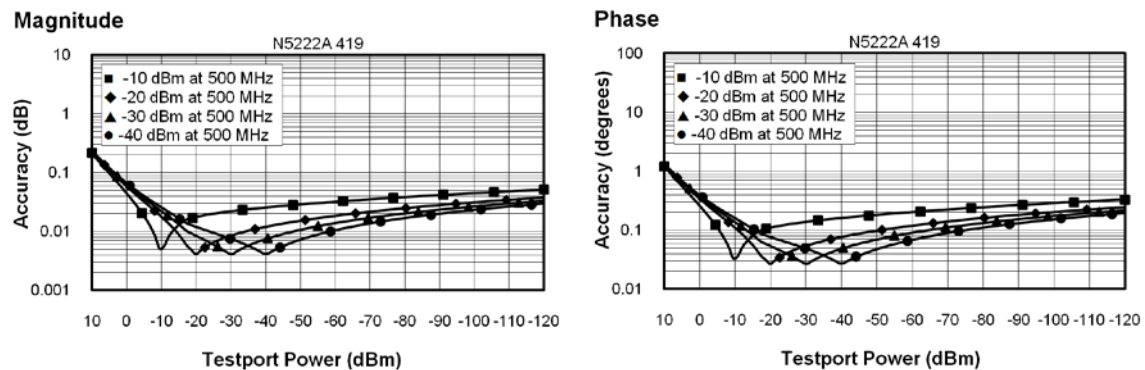
For values below -60 dBm, refer to [VNA Receiver Dynamic Accuracy Specifications and Uncertainties](#)

Table 24. N5221A and N5222A Dynamic Accuracy

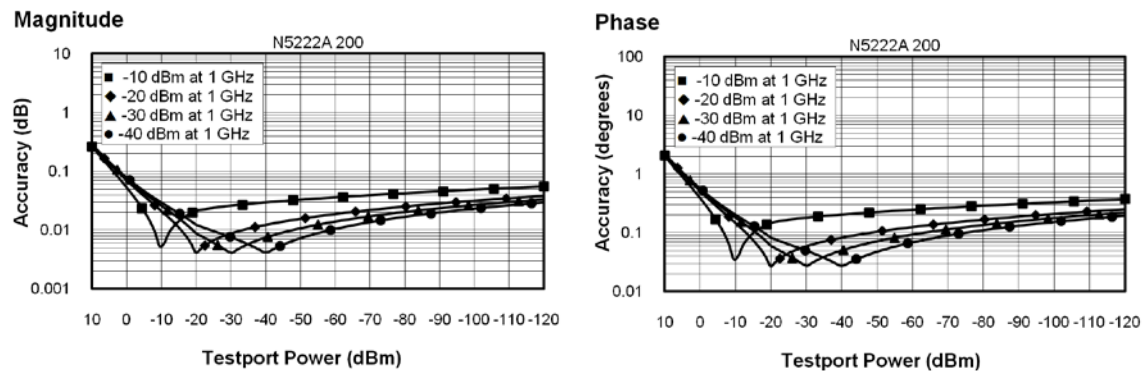
N5221A/22A Dynamic Accuracy, 10 MHz to 50 MHz - Specification



N5221A/22A Dynamic Accuracy, 50 MHz to 500 MHz - Specification

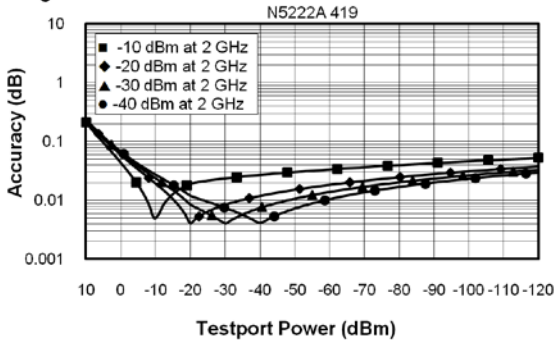


N5221A/22A Dynamic Accuracy, 500 MHz to 1 GHz - Specification

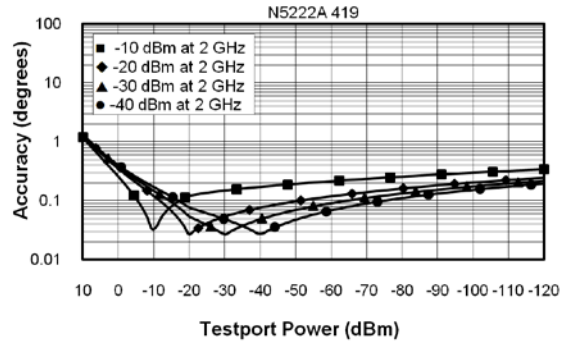


N5221A/22A Dynamic Accuracy, 1 GHz to 2 GHz - Specification

Magnitude

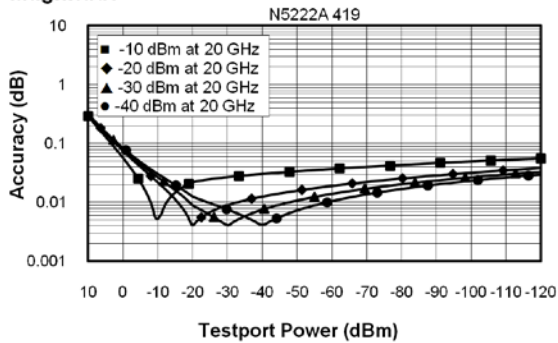


Phase

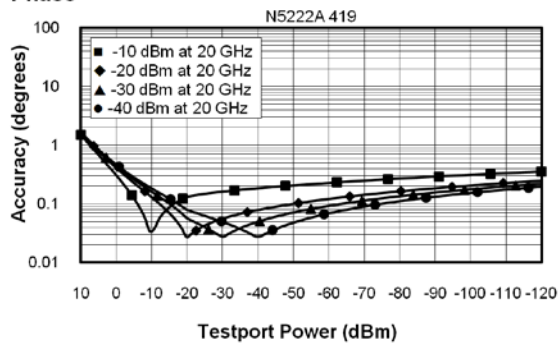


N5221A/22A Dynamic Accuracy, 2 GHz to 20 GHz - Specification

Magnitude

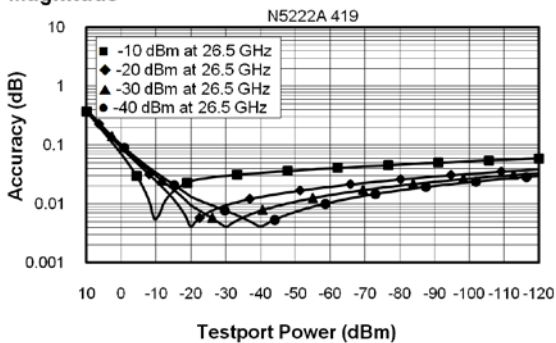


Phase



N5221A/22A Dynamic Accuracy, 20 GHz to 26.5 GHz - Specification

Magnitude



Phase

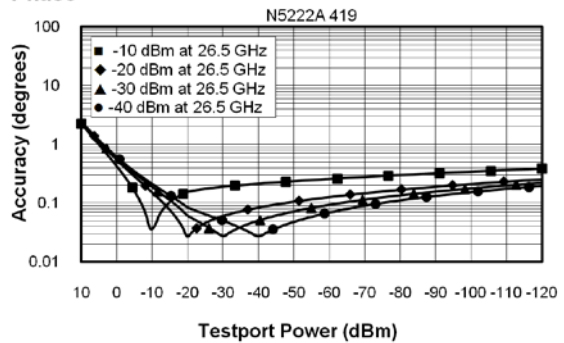


Table 25. Group Delay - Typical

Group delay is computed by measuring the phase change within a specified frequency step (determined by the frequency span and the number of points per sweep). In general, the following formula can be used to determine the accuracy, in seconds, of specific group delay measurement:

$$\pm \text{Phase Accuracy (deg)} / [360 \times \text{Aperture (Hz)}]$$

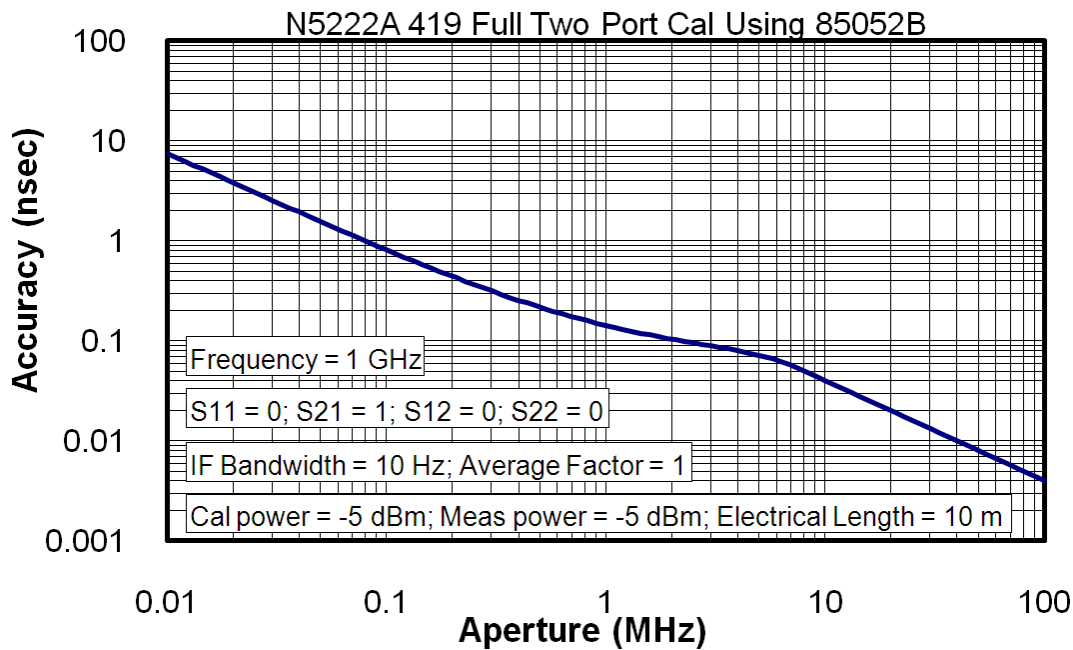
Depending on the aperture and device length, the phase accuracy used is either incremental phase accuracy or worst-case phase accuracy

Description	Typical Performance
Aperture (selectable)	(frequency span)/(number of points -1)
Maximum Aperture	20% of frequency span
Range	0.5 x (1/minimum aperture)
Maximum Delay	Limited to measuring no more than 180° of phase change within the minimum aperture.)

The following graphs show characteristic group delay accuracy with full 2-port calibration and a 10 Hz IF bandwidth. Insertion loss is assumed to be < 2 dB and electrical length to be ten meters.

For any S_{ij} Group Delay measurement, $S_{ii} = 0$, $S_{ij} = 1$, $S_{ji} = 0$, $S_{kl} = 0$ for all $kl \neq ij$

Group Delay (Typical)



General Information

- [Miscellaneous Information](#)
- [Front Panel](#)
- [Rear Panel](#)
- [Environment and Dimensions](#)

Table 26. Miscellaneous Information

Description	Supplemental Information
System IF Bandwidth Range	1 Hz to 15 MHz, nominal
CPU	Intel® 2.0 GHz Core® i7. <div style="background-color: #cccccc; padding: 2px; display: inline-block; margin-bottom: 5px;">NOTE</div> Some instruments may have a different CPU. For the latest information on CPUs and associated hard drives, visit: http://na.support.keysight.com/pna/hdnumbers.html
LXI	Class C

Table 27. Front Panel Information, All Options

Description	Typical Performance
RF Connectors	
Type	3.5 mm (male), 50 ohm, (nominal)
Center Pin Recession	0.002 in. (characteristic)
USB 2.0 Ports - Master (4 ports)	
Standard	Compatible with USB 2.0
Connector	USB Type-A female
Display	
Size	26.3 cm (10.4 in) diagonal color active matrix LCD; 1024 (horizontal) X 768 (vertical) resolution
Refresh Rate	Vertical 60 Hz; Horizontal 46.08 kHz
Pixels	Any of the following would cause a display to be considered faulty: <ul style="list-style-type: none"> • A complete row or column consists of "stuck" or "dark" pixels. • More than six "stuck on" pixels (but not more than three green) or more than 0.002% of the total pixels are within the LCD specifications. • More than twelve "dark" pixels (but no more than seven of the same color) or more than 0.004% of the total pixels are within the LCD specifications. • Two or more consecutive "stuck on" pixels or three or more consecutive "dark" pixel (but no more than one set of two consecutive dark pixels). • "Stuck on" "dark" pixels are less than 6.5 mm apart (excluding consecutive pixels).

Table 27. (Continued) Front Panel Information, All Options

Description	Typical Performance
Display Range	
Magnitude	+/-2500 dB (at 500 dB/div), max
Phase	+/-2500° (at 500 dB/div), max
Polar	10 pUnits, min 10,000 Units, max
Display Resolution	
Magnitude	0.001 dB/div, min
Phase	0.01°/div, min
Marker Resolution	
Magnitude	0.001 dB, min
Phase	0.01°, min
Polar	10 pUnit, min

Table 28. Rear Panel Information, All Options

Description	Typical Performance
10 MHz Reference In	
Connector	BNC, female
Input Frequency	10 MHz ± 10 ppm
Input Level	-15 dBm to +20 dBm
Input Impedance	200 W , nom.
10 MHz Reference Out	
Connector	BNC, female
Output Frequency	10 MHz ± 1 ppm
Signal Type	Sine Wave
Output Level	+10 dBm ± 4 dB into 50 W
Output Impedance	50 W , nominal
Harmonics	<-40 dBc, typical

Table 28. (Continued) Rear Panel Information, All Options

Description	Typical Performance
External IF Inputs	
Function	Allows use of external IF signals from remote mixers, bypassing the PNA's first converters
Connectors	SMA (female); A, B, C, D, R (4-port); A, B, R1, R2 (2-port)
Input Frequency	
Normal IF path	RF < 53 MHz: IF = 826.446 KHz RF >= 53 MHz: IF = 7.438 MHz
Narrowband IF path	IF = 10.70 MHz
Input Impedance	50 W
RF Damage Level	+23 dBm
DC Damage Level	5.5 VDC
0.1 dB Compression Point	
Normal IF path	-9.0 dBm at 7.438 MHz
Narrowband IF path	-17 dBm at 10.70 MHz
Pulse Inputs (IF Gates)	
Function	Internal receiver gates used for point-in-pulse and pulse-profile measurements
Connectors	15-pin mini D-sub
Input Impedance	1 K Ohm
Minimum Pulse Width, Source Modulators	33 ns
Minimum Pulse Width, Receiver Gates	20 ns
DC Damage Level	5.5 VDC
Drive Voltage	0 V (off), +3.3 V (on), nominal
RF Pulse Modulator Input (Source Modulator)	
On/Off Ratio	
10 MHz to 3.2 GHz	-64
3.2 GHz to 26.5 GHz	-80
Pulse Period	
Minimum	33 ns
Maximum	70 s

Table 28. (Continued) Rear Panel Information, All Options

Description	Typical Performance	
Pulse Outputs		
Voltage (TTL)	High: 3.3V to 3.5V Low: <1V	
Impedance	50 Ohm	
External Test Set Driver		
Function	Used for driving remote mixers	
Connections	3.5 mm (female)	
RF Output Frequency Range	3.2 GHz to 19 GHz	
LO Output Frequency Range	1.76 GHz to 26.5 GHz	
Rear Panel LO Power¹		
	Upper Limit, Typical (dBm)	Lower Limit, Typical (dBm)
1.7 GHz to 16 GHz	0	-10
16 GHz to 21 GHz	4	-6
21 GHz to 26.5 GHz	6	-4
Rear Panel RF Power		
	Upper Limit, Typical (dBm)	Lower Limit, Typical (dBm)
3.2 GHz to 19 GHz	-3	-8
VGA Video Output		
Connector	15-pin mini D-Sub; Drives VGA compatible monitors	
Devices Supported		
	Resolutions	
Flat Panel (TFT)	1024 X 768, 800 X 600, 640 X 480	
Flat Panel (DSTN)	800 X 600, 640 X 480	
CRT Monitor	1280 X 1024, 1024 X 768, 800 X 600, 640 X 480	
Simultaneous operation of the internal and external displays is allowed, but with 640 X 480 resolution only. If you change resolution, you can only view the external display (internal display will "white out").		

¹ LO output available in full analyzer's frequency range. The power is tested only from 3.2 GHz to 26.5 GHz.

Table 28. (Continued) Rear Panel Information, All Options

Description	Typical Performance
Bias Tee Inputs	
Connectors	BNC(f) for ports 1, 2, 3 and 4
Fuse	500 mA, bi-pin style
Maximum Bias Current	+/-200 mA with no degradation of RF specifications
Maximum Bias Voltage	+/-40 VDC
Trigger Inputs/Outputs	BNC(f), TTL/CMOS compatible
Test Set IO	25-pin D-Sub connector, available for external test set control.
Power IO	9-pin D-Sub, female; analog and digital IO
Handler IO	36-pin parallel I/O port; all input/output signals are default set to negative logic; can be reset to positive logic via GPIB command.
GPIB	Two ports - dedicated controller and dedicated talker/listener. 24-pin D-sub (Type D-24), female; compatible with IEEE-488.
Parallel Port (LPT1)	25-pin D-Sub miniature connector, female; provides connection to printers or any other parallel port peripherals
USB Ports	Four ports on front panel (all Host) and five ports (four Host and one Device) on rear panel. Type A configuration (eight Host) and Type B configuration (one Device), USB 2.0 compatible. The total current limit for all rear panel USB ports is 2.0 amps. The total current limit for all front panel USB is 0.9 amps.
LAN	10/100BaseT Ethernet, 8-pin configuration; auto selects between the two data rates
Line Power	
Frequency, Voltage	50/60/400 Hz for 100 to 120 VAC 50/60 Hz for 220 to 240 VAC
	Power supply is auto switching
Max	450 watts

Table 29. Analyzer Dimensions and Weight

All models are shipped with handles.

Cabinet Dimensions	Metric (mm)	Imperial (inches)
Height		
Without bottom feet: ¹EIA RU = 6	266.1	10.5
With bottom feet	279.1	11.0
Width		
Without handles or rack-mount flanges	425.6	16.8
With handles, without rack-mount flanges	458.7	18.1
With handles and rack-mount flanges	482.9	19.0
Depth		
Without front and rear panel hardware	533.0	21.0
With front and rear panel hardware, handles	578.0	22.7

¹Electronics Industry Association rack units. 1 RU = 1.75 in.

See detailed PNA dimension drawings at: <http://na.support.keysight.com/pna/PNADimensions.pdf>

Weight (nominal)	Net	Shipping
2-port models (Option 200, 201, 217 or 219)	27 kg (60 lb)	43 kg (95 lb)
4-port models (Option 400, 401, 417 or 419)	36.7 kg (81 lb)	51 kg (112 lb)

Regulatory and Environmental Information

For Regulatory and Environmental information, refer to the PNA Series Installation and Quick Start Guide, located online at <http://literature.cdn.keysight.com/litweb/pdf/E8356-90001.pdf>.

Measurement Throughput Summary

- Typical Cycle Time for Measurement Completion
- Cycle Time vs. IF Bandwidth
- Cycle Time vs. Number of Points
- Data Transfer Time

Cycle time Includes sweep time, retrace time, and band-crossing time. Analyzer display turned off with DISPLAY:ENABLE OFF. Add 21 ms for display on. Data for one trace (S₁₁) measurement.

Table 30a. Typical Cycle Time (ms) for Measurement Completion, All Models / Options

Sweep Range	IF Bandwidth		Number of Points				
			201	401	1601	16001	32001
9 GHz to 10 GHz	600 kHz	Uncorrected	6.3	6.3	10.9	68	132
		2-Port cal	18.8	20.3	30	145	275
	10 kHz	Uncorrected	29.7	54.7	205	2000	4000
		2-Port cal	67	117	417	4031	8047
	1 kHz	Uncorrected	227	445	1742	17031	33844
		2-Port cal	462	900	3500	34102	67734
10 GHz to 20 GHz	600 kHz	Uncorrected	18.8	18.8	23	70	133
		2-Port cal	45.3	46.9	55	180	313
	10 kHz	Uncorrected	69	127	270	2009	4009
		2-Port cal	145	263	548	4030	8055
	1 kHz	Uncorrected	234	458	1781	17383	34531
		2-Port cal	477	922	3578	34789	69109

Table 30b. N5221A Typical Cycle Time (ms) for Full-Span Measurement Completion

10 MHz to 13.5 GHz		Number of Points				
IF Bandwidth		201	401	1601	16001	32001
600 kHz	Uncorrected	6.9	7.2	11.9	69	132
	2-Port cal	22.2	23.1	32.2	148	275
10 kHz	Uncorrected	59	61	205	2004	4003
	2-Port cal	126	130	418	4019	8020
1 kHz	Uncorrected	204	402	1593	15877	31751
	2-Port cal	416	813	3194	31766	63539

Table 30c. N5222A Typical Cycle Time (ms) for Full-Span Measurement Completion

10 MHz to 26.5 GHz		Number of Points				
IF Bandwidth		201	401	1601	16001	32001
600 kHz	Uncorrected	43	50	68	141	198
	2-Port cal	93	107	141	284	405
10 kHz	Uncorrected	80	142	480	2184	4125
	2-Port cal	168	291	964	4378	8297
1 kHz	Uncorrected	245	472	1809	17508	34773
	2-Port cal	498	950	3622	35047	69609

Table 31. Cycle Time vs. IF Bandwidth - Typical

Applies to the Preset condition (201 points, correction off) except for the following changes:

- CF = 10 GHz
- Span = 100 MHz
- Display off (add 21 ms for display on)

Cycle time includes sweep and retrace time.

Description		N5221A/22A	
IF Bandwidth (Hz)	Cycle Time (ms)	Trace Noise Magnitude (dB rms)	
600,000	5.6	0.0045	
100,000	6.9	0.0018	
30,000	10	0.0011	
10,000	26.7	0.0006	
3,000	72	0.0004	
1,000	223	0.0003	
300	641	0.0002	
100	1825	0.0002	
30	5984	0.0002	
10	17836	0.0002	
3	59281	0.0002	

Table 32. Cycle Time vs. Number of Points - Typical

Applies to the Preset condition (correction off) except for the following changes:

- CF = 10 GHz
- Span = 100 MHz
- Display off (add 21 ms for display on)

Cycle time includes sweep and retrace time.

Description	IF Bandwidth (Hz)			
	1,000	10,000	30,000	600,000
Number of Points				
3	7.5	5.9	5.9	5.9
11	15.6	6.6	5.9	5.9
51	60	10.6	5.9	5.9
101	114	16.9	7.2	6.3
201	223	29.4	9.7	6.3
401	437	54.7	15	6.9
801	862	105	25.3	7.8
1,601	1706	203	45.9	11
6,401	6728	803	169	30
16,001	16669	2003	416	68
32,001	33106	4003	828	130

Table 33. Data Transfer Time (ms) - Typical

Measured with the analyzer display off.

Values will increase slightly if the analyzer display is on.

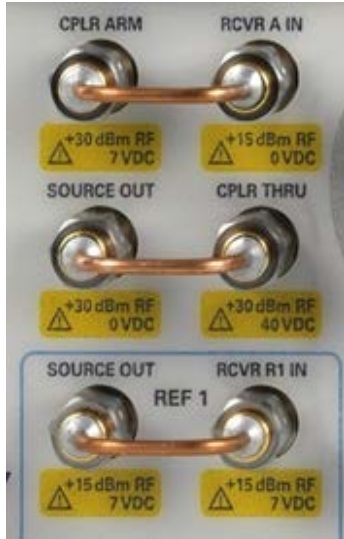
Description	Number of Points				
	201	401	1601	16,001	32,001
SCPI over GPIB (Program executed on external PC ²)					
32-bit floating point	4.6	9.3	38	352	720
64-bit floating point	9.4	18.8	73.4	730	1455
ASCII	36.7	72.5	288	2882	5762
SCPI over SICL/LAN or TCP/IP Socket¹ (Program executed in the analyzer)					
32-bit floating point	<1	<1	<1	1.2	2.4
64-bit floating point	<1	<1	<1	2.3	4.6
ASCII	2.1	4	15	148	295
COM¹ (Program executed in the analyzer)					
32-bit floating point	<1	<1	<1	<1	<1
Variant type	<1	<1	1.4	12.4	25.5

DCOM over LAN ¹ (Program executed on external PC)					
32-bit floating point	<1	<1	<1	2.3	4.4
Variant type	<1	1.6	5.3	52	105.5

¹ Values are for real and imaginary pairs, with the analyzer display off, using Gigabit Ethernet.

NOTE Specifications for Recall & Sweep Speed are not provided for the N522xA analyzers.

Specifications: Front-Panel Jumpers



The following options have front-panel jumpers for each port:
201, 217, 219, 401, 417, 419

- Measurement Receiver Inputs
- Reference Receiver Inputs and Reference Source Outputs
- Source Outputs
- Coupler Inputs
- Damage Level

Table 34. Measurement Receiver Inputs (dBm) – Typical
(RCVR A, B, C, D IN) @ 0.1dB Typical Compression

Description	All Options
10 MHz to 500 MHz	-4
500 MHz to 3.2 GHz	-2
3.2 GHz to 10 GHz	-3
10 GHz to 13.5 GHz	-4
13.5 GHz to 26.5 GHz	-5

Table 35. Reference Receiver Inputs and Reference Source Outputs (dBm) - Typical

(RCVR R1 IN, REF 1 SOURCE OUT) @ Max Specified Output Power

Description	Option 201, 401	Option 217, 219, 417, 419
10 MHz to 50 MHz	-4	-4
50 MHz to 10 GHz	-3	-2
10 GHz to 16 GHz	-4	-2
16 GHz to 20 GHz	-5	-6
20 GHz to 24 GHz	-6	-7
24 GHz to 26.5 GHz	-14	-14

Table 36. Reference Receiver Inputs and Reference Source Outputs (dBm) - Typical

(RCVR R2 IN, RCVR R3 IN, RCVR R4 IN, REF 2 SOURCE OUT, REF 3 SOURCE OUT, REF 4 SOURCE OUT) @ Max Specified Output Power

Description	Option 201, 401	Option 401	Option 217, 219, 417, 419	
	RCVR R2 IN, RCVR R4 IN, REF 2 SOURCE OUT, REF 4 SOURCE OUT	RCVR R3 IN, REF 3 SOURCE OUT	RCVR R2 IN, RCVR R4 IN, REF 2 SOURCE OUT, REF 4 SOURCE OUT	RCVR R3 IN, REF 3 SOURCE OUT
10 MHz to 50 MHz	-2	-2	-2	-2
50 MHz to 500 MHz	-1	-1	-1	-1
500 MHz to 3.2 GHz	-1	-1	0	0
3.2 GHz to 10 GHz	0	0	+1	+1
10 GHz to 16 GHz	0	0	+2	+2
16 GHz to 20 GHz	0	+1	-1	-1
20 GHz to 24 GHz	-2	+1	-3	0
24 GHz to 26.5 GHz	-8	-6	-9	-7

Table 37. Source Outputs (dBm) - Typical

(PORT 1 SOURCE OUT, PORT 2 SOURCE OUT, PORT 3 SOURCE OUT, PORT 4 SOURCE OUT) @ Max Specified Output Power

Description	Option 201, 401	Option 201, 401	Option 217, 219, 417, 419	
	PORT 1 SOURCE OUT, PORT 3 SOURCE OUT	PORT 2 SOURCE OUT, PORT 4 SOURCE OUT	PORT 1 SOURCE OUT, PORT 3 SOURCE OUT	PORT 2 SOURCE OUT, PORT 4 SOURCE OUT
10 MHz to 50 MHz	+12	+12	+12	+12
50 MHz to 500 MHz	+13	+13	+13	+13
500 MHz to 3.2 GHz	+13	+13	+14	+14
3.2 GHz to 10 GHz	+14	+14	+14	+14
10 GHz to 16 GHz	+14	+14	+15	+15
16 GHz to 20 GHz	+14	+13	+12	+12
20 GHz to 24 GHz	+14	+11	+12	+9
24 GHz to 26.5 GHz	+8	+6	+6	+4

Table 38. Coupler Inputs (dB) - Typical

(PORT 1 CPLR THRU, PORT 2 CPLR THRU, PORT 3 CPLR THRU, PORT 4 CPLR THRU) Insertion Loss of Coupler Thru

Description	Option 201, 401	Option 217, 219, 417, 419
10 MHz to 50 MHz	0	-0.50
50 MHz to 100 MHz	-0.25	-0.50
100 MHz to 500 MHz	-0.25	-1.00
500 MHz to 3.2 GHz	-0.50	-1.00
3.2 GHz to 10 GHz	-0.75	-1.25
10 GHz to 13.5 GHz	-1.00	-1.75
13.5 GHz to 16 GHz	-1.00	-2.00
16 GHz to 20 GHz	-1.20	-2.00
20 GHz to 24 GHz	-1.30	-2.50
24 GHz to 26.5 GHz	-1.50	-2.50

Table 39. Damage Level - Typical

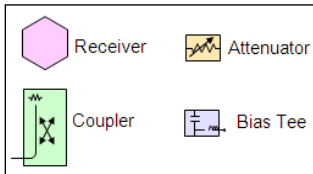
Description	RF (dBm)	DC (V)
RCVR A, B, C, D IN	15	7
RCVR R1, R2, R3, R4 IN	15	7
REF 1 SOURCE OUT	15	7
REF 2, 3, 4 SOURCE OUT	30	7
PORT 1, 2, 3, 4 SOURCE OUT	30	7
PORT 1, 2, 3, 4 CPLR THRU	30	40 (7 ¹)
PORT 1, 2, 3, 4 CPLR ARM	30	7

¹ With a thru connection between test ports of option 217 or 417 configuration, 7 VDC input to CPLR THRU ports damages the source attenuator on the connected port.

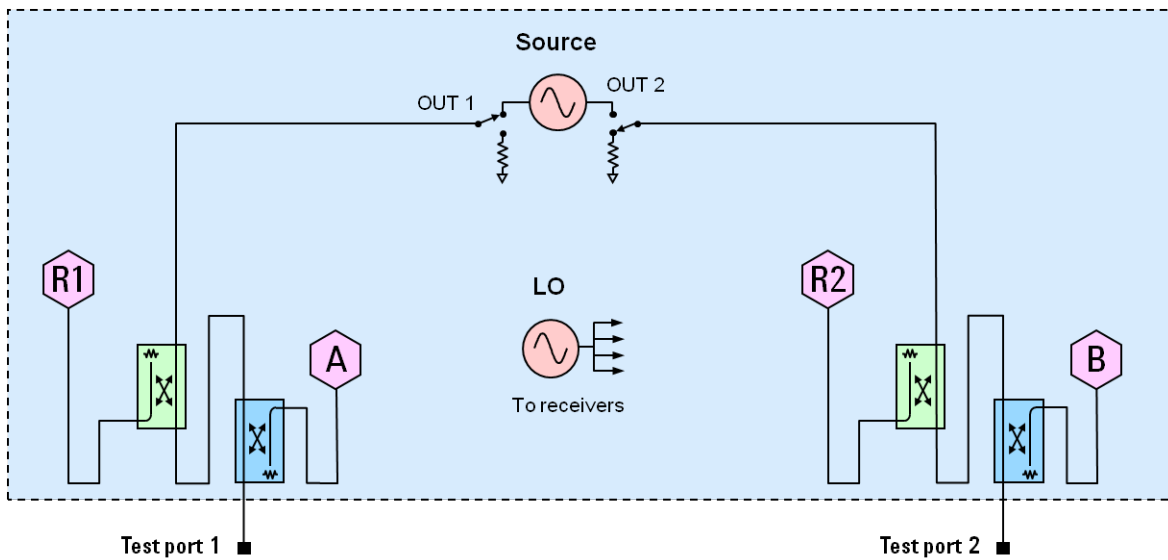
Test Set Block Diagrams

NOTE For best readability, use a color printer for printing the following graphics.

Legend

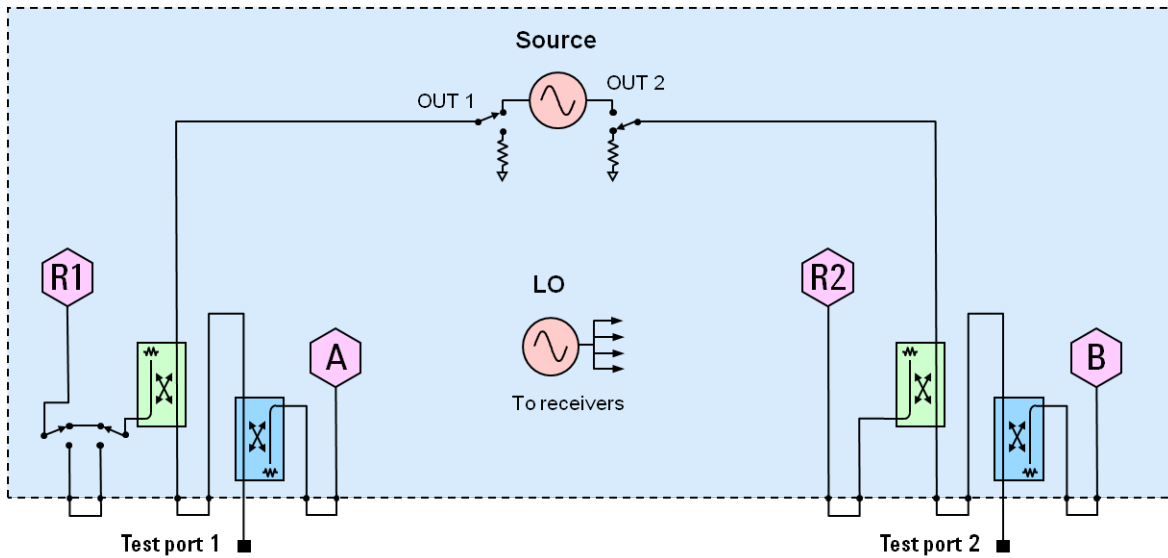


N5221A and N5222A Option 200 (2-port base model)



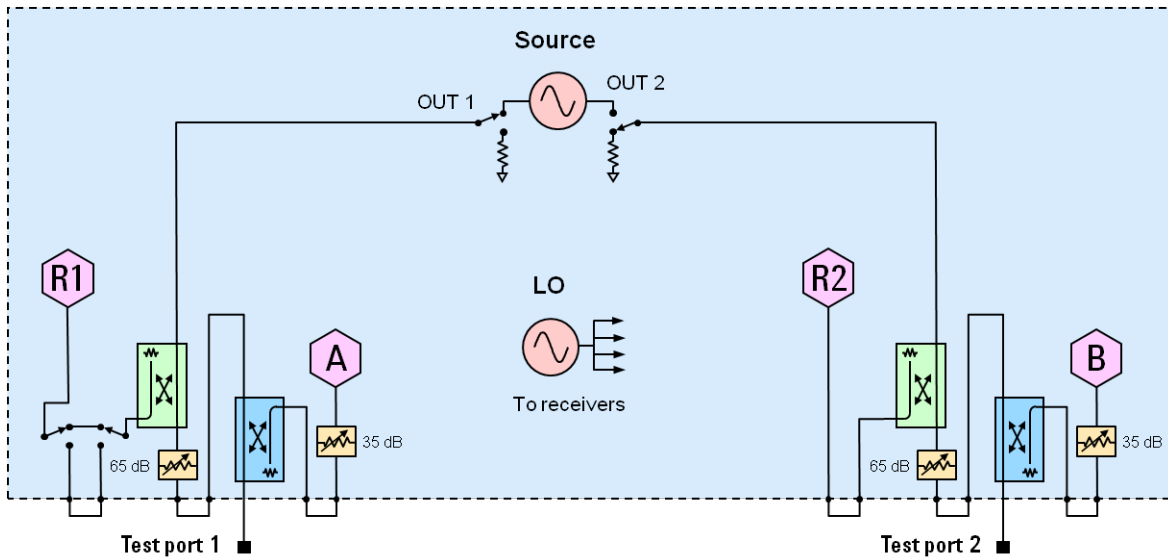
N5221A and N5222A Option 201

To base model, adds front-panel jumpers and R1 receiver switch



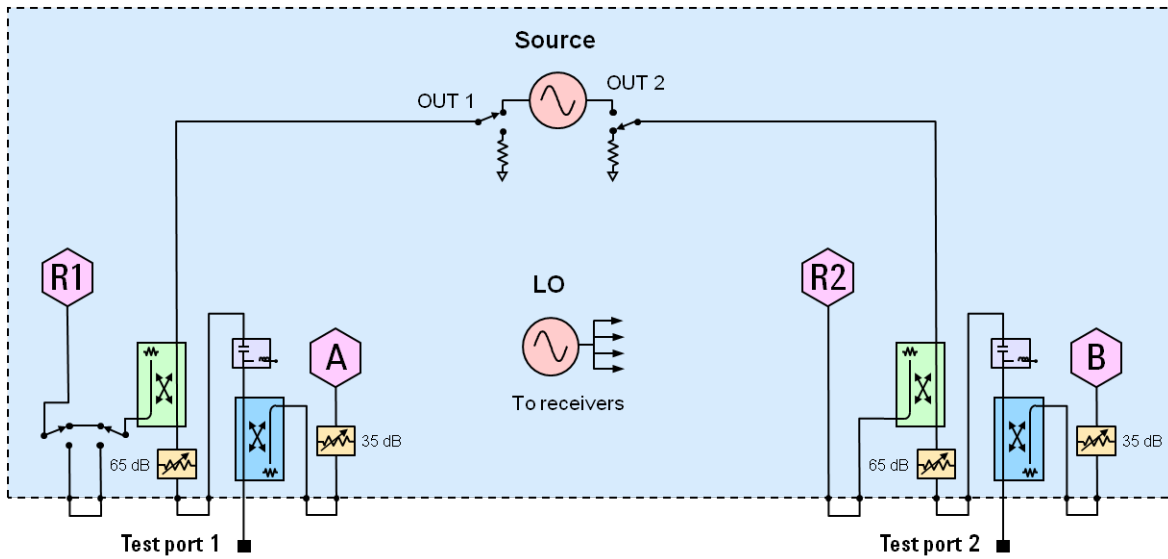
N5221A and N5222A Option 217

To base model, adds front-panel jumpers, R1 receiver switch, and source and receiver attenuators (extended power range).

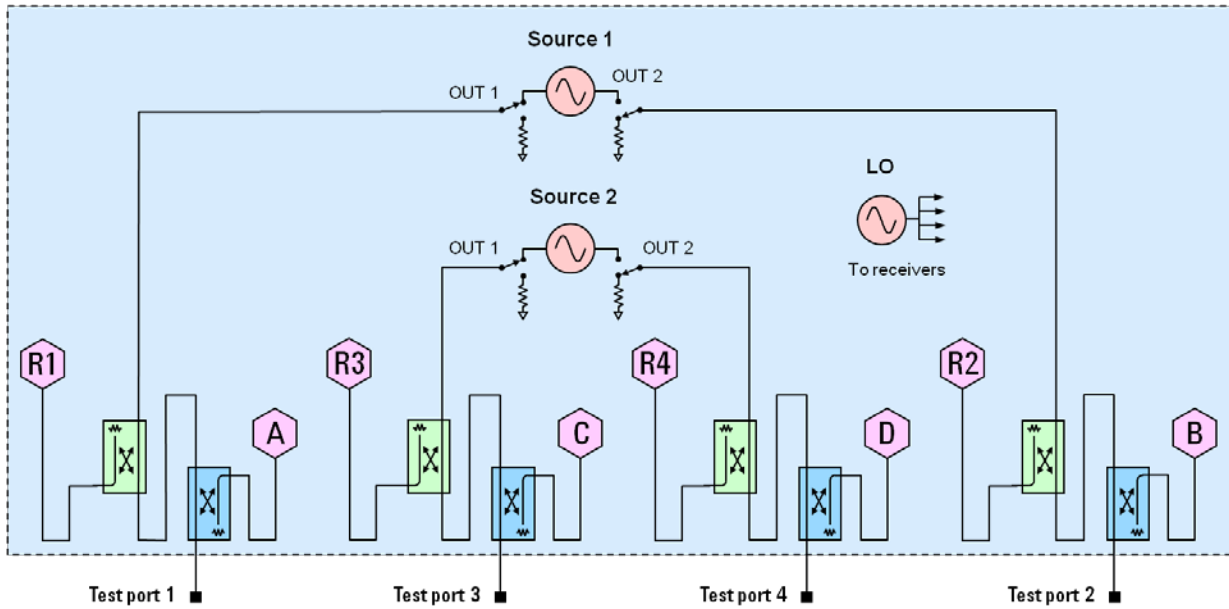


N5221A and N5222A Option 219

To base model, adds front-panel jumpers, R1 receiver switch, source and receiver attenuators (extended power range), and bias-tees.

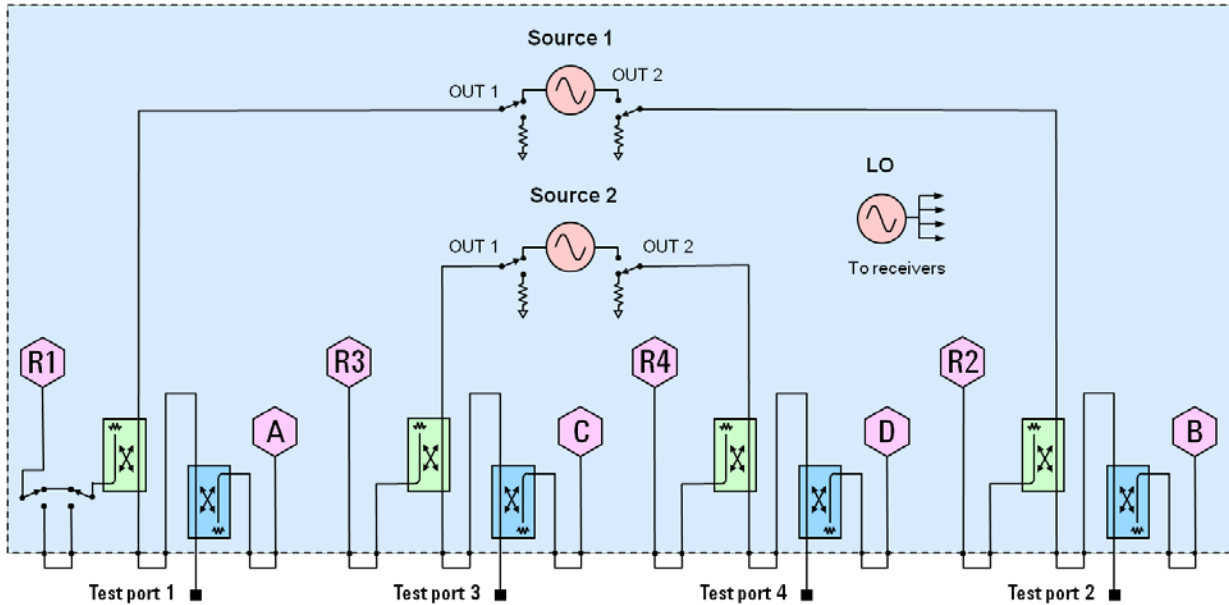


N5221A and N5222A Option 400 (4-port base model)



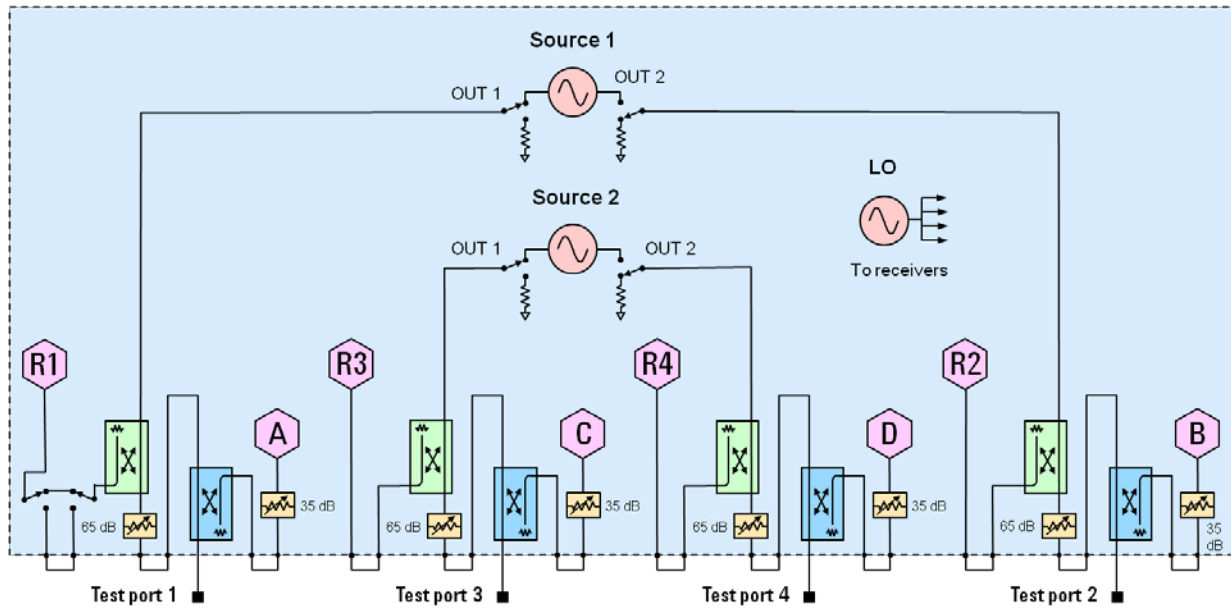
N5221A and N5222A Option 401

To base model, adds front-panel jumpers and R1 receiver switch



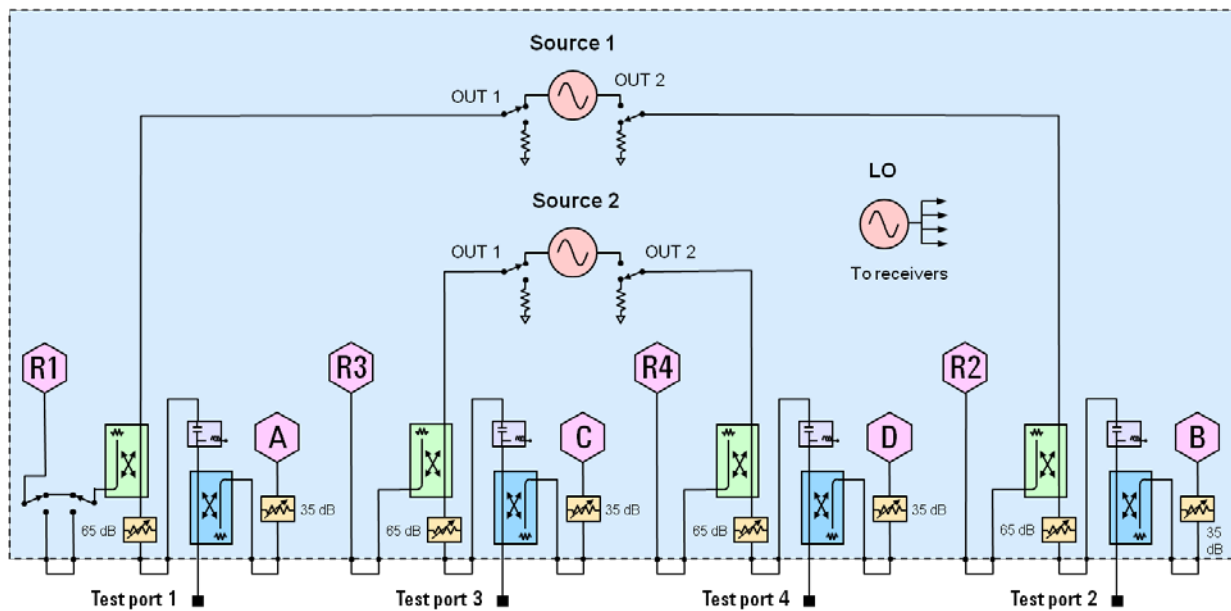
N5221A and N5222A Option 417

To base model, adds front-panel jumpers, R1 receiver switch, and source and receiver attenuators (extended power range).

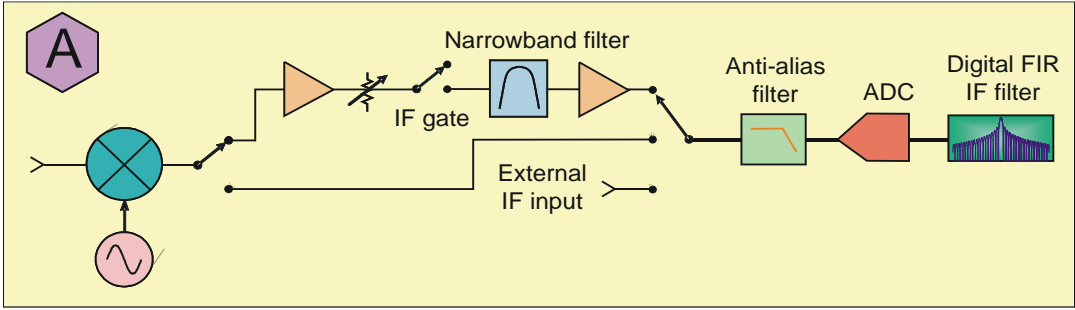


N5221A and N5222A Option 419

To base model, adds front-panel jumpers, R1 receiver switch, source and receiver attenuators (extended power range), and bias-tees.



Receiver Block Diagram





This information is subject to change without notice.

© Keysight Technologies 2014-2015

Print Date: October 12, 2015



N5221-90001

www.keysight.com