

# Broadband Waveguide to Coax N Type Adaptors

## Series 093-NF10 / 094-NF10

### Features

- **Very Low VSWR**
- **Full Waveguide Band Models**
- **Manufactured from Brass or Aluminium\***

The series 093/094-NF broadband Waveguide to Coax Adaptors offer enhanced VSWR performance over the full waveguide frequency band. Models in WG14 to WG18 feature an improved mechanical design offering greater durability and reliability whilst maintaining existing high performance specifications. Minor dimensional changes may be incorporated from time to time; please contact our Sales Team for latest information if the space available is limited.

The adaptors are fitted with Type N Female connectors as standard; adaptors fitted with type N male connectors are available to special order, please contact our Sales Team for further details.

Narrowband models covering typically 20% of the full waveguide band with a VSWR of 1.05 are also available. Please see Series 093-NF\*\* and 094-NF\*\* for details.



Model 11A094-NF10

Model	Frequency Range (GHz)	Waveguide			VSWR (better than)	*Dimensions (Brass)			Weight (kg) [Brass]
		WG	R	WR		A	B	C	
06093-NF10	1.14 - 1.73	6	14	650	1.20	108.2	169.5	65.5	3.95
08093-NF10	1.72 - 2.61	8	22	430	1.20	61.4	110.5	51.5	2.23
09A093-NF10	2.17 - 3.3	9A	26	340	1.20	64.0	98.4	45.8	1.80
10094-NF10	2.6 - 3.95	10	32	284	1.15	66.6	89.5	41.2	0.98
11A094-NF10	3.3 - 4.9	11A	40	229	1.15	50.9	74.0	38.4	0.70
12094-NF10	3.94 - 5.99	12	48	187	1.14	49.5	66.5	36.4	0.67
13094-NF10	4.64 - 7.05	13	58	159	1.13	51.0	66.0	33.8	0.57
14094-NF10	5.38 - 8.18	14	70	137	1.10	55.8	69.0	33.2	0.38
15094-NF10	6.58 - 10.0	15	84	112	1.12	45.8	59.9	31.6	0.33
16094-NF10	8.2 - 12.5	16	100	90	1.12	54.0	64.0	44.9	0.18
17094-NF10	9.84 - 15.0	17	120	75	1.12	42.2	52.0	44.2	0.15
18094-NF10	11.9 - 18.0	18	40	62	1.12	47.2	56.0	44.0	0.12

#### ORDERING INFORMATION

Model: Description

Example: Model 14094-NF10 Broadband waveguide to type N female coax adaptor

If the adaptor is required to be manufactured in aluminium please suffix the order information with \ AL

Example: Model 14094-NF10\AL

\*Note 1 The dimensions of aluminium adaptors may vary from those manufactured in brass.

Note 2 Models with suffix NF10 are broadband units. Please see page 53 for narrowband models.

Series 094-NF

For standard flange types and recommendations see pages 118 onwards

# Narrow Band Waveguide to N Type Coax Adaptors

## Series 093-NF\*\* / 094-NF\*\*

### Features

- Very Low VSWR
- Alternative Narrow Band Models on Request
- Brass or \*Aluminium models available

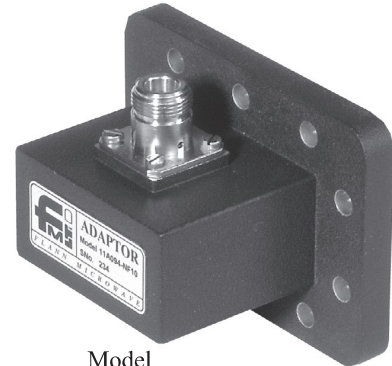
For some applications, where full waveguide band operation is not essential, it might be desirable to opt for an optimised VSWR performance over a narrow band.

For such applications Flann are able to offer narrow band models with a typical VSWR of 1.05 depending on waveguide size and operating frequency range.

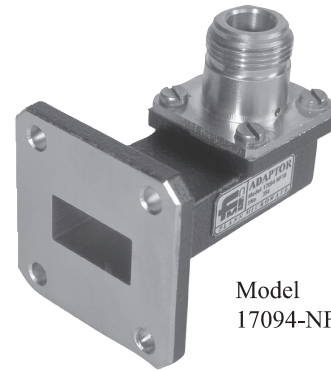
Please contact our Sales Office in the first instance for assistance to identify the most suitable model for your requirement.

Models are available fitted with either Male or Female Type N connectors.

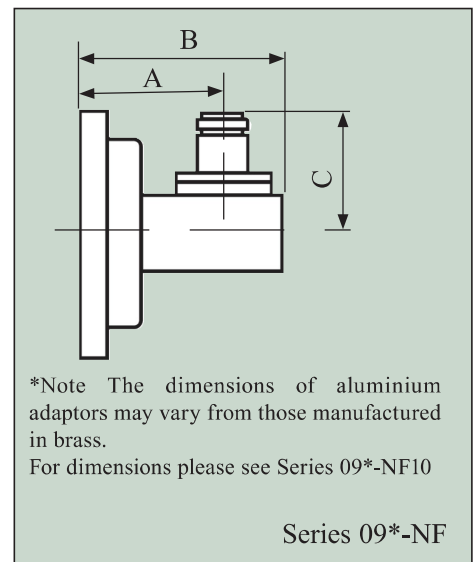
Narrow band models fitted with SMA connectors are also available. Please see Series 094-SF\*\* for details



Model  
11A094-NF16



Model  
17094-NF19



For standard flange types and recommendations see pages 118 onwards