



E-Band Waveguide to 1.0 mm Connector Adapter, Right Angle

Description:

Models SWC-121F-R1 and SWC-121M-R1 are right angle (90°) E-Band waveguide to coax adapters that cover the frequency range of 60 to 90 GHz. They are designed and manufactured for instrumentation grade quality but offered at a commercial grade price, allowing for an efficient transition between the rectangular waveguide and 1.0 mm coax connector. The end launch (180°) versions are offered under model numbers SWC-121F-E1 and SWC-121M-E1.



Features:

- Full Waveguide Band Coverage
- Lower Insertion Loss and VSWR
- Instrumentation Grade
- DC Open Circuit

Applications:

- Test Lab
- Instrumentations
- Sub-assemblies

Electrical Specifications:

Parameter	Minimum	Typical	Maximum
Frequency Range	60 GHz		90 GHz
Insertion Loss*		1.0 dB	1.2 dB
Return Loss	12 dB	15 dB	
Power Handling			10 W (CW)
Specification Temperature		+25 °C	
Operating Temperature	-40 °C		+85 °C

*Insertion loss is tested back to back with a male and female adapter, the result is divided by 2.

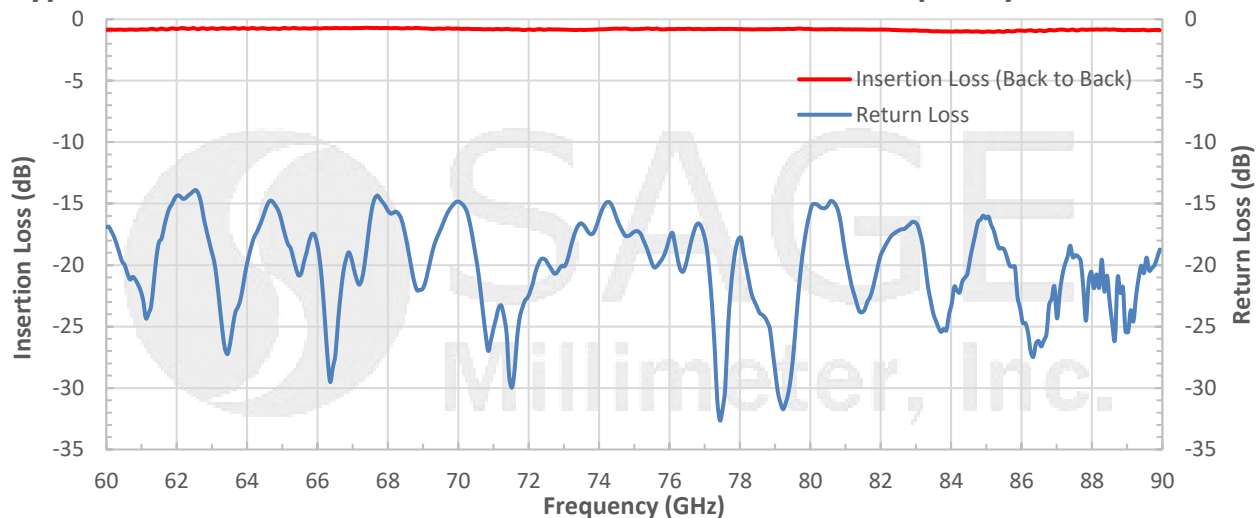
Mechanical Specifications:

Item	Specification
Waveguide	WR-12 with UG387/U Flange
Coaxial	1.0 mm Female for Model Number: SWC-121F-R1
Coaxial	1.0 mm Male for Model Number: SWC-121M-R1
Size	1.05" (L) x 0.75" (D)
Housing Material	Aluminum
Finish	Gold Plated
Weight	0.4 Oz
Outline	WC-ER

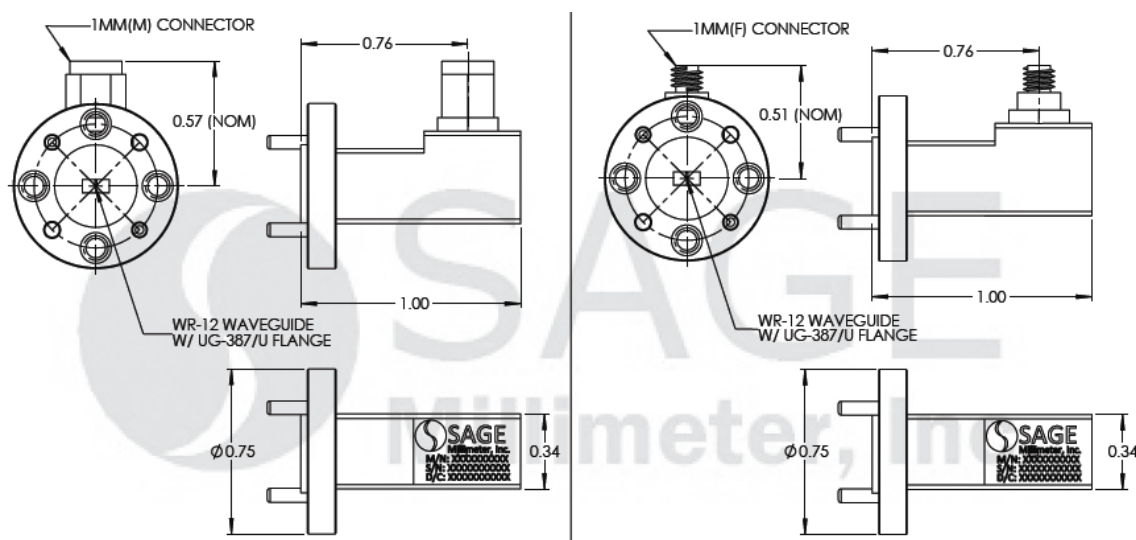


E-Band Waveguide to 1.0 mm Connector Adapter, Right Angle

Typical Return Loss and Back to Back Insertion Loss vs. Frequency



Mechanical Outline: (Unless otherwise specified, all dimensions are in inches)



Note:

- All data presented is collected from a sample lot. Actual data may vary unit to unit, slightly.
- All testing was performed under +25 °C case temperature.
- SAGE Millimeter, Inc. reserves the right to change the information presented without notice.

Caution:

- Any foreign objects in the waveguide will cause performance degradation and may damage the adapter.
- Proper torque, 4.0 ± 0.15 inch-pounds (0.45 ± 0.02 Nm), should be used. **SAGE Millimeter torque wrench, model SCH-06004-S1, is highly recommended.**

