

# Keysight U2941A Parametric Test Fixture

Data Sheet



## Introduction

The Keysight Technologies, Inc. U2941A parametric test fixture is designed to complement usage of the Keysight U2722A USB modular source measure unit in the testing of semiconductor components, including SMT and DIP ICs.

The bundled Keysight Parametric Measurement Manager software also supports the Keysight U2751A USB modular switch matrix when used with the U2722A.

### Features

- Closed lid minimizes ESD on sensitive circuits and components
- Up to 3 source/measure channels supported
- Different socket modules to match a wide variety of pin configurations
- Assembly PTFE plate for low-current measurements
- Bundled Keysight Parametric Measurement Manager software eases set-up, testing and data recording

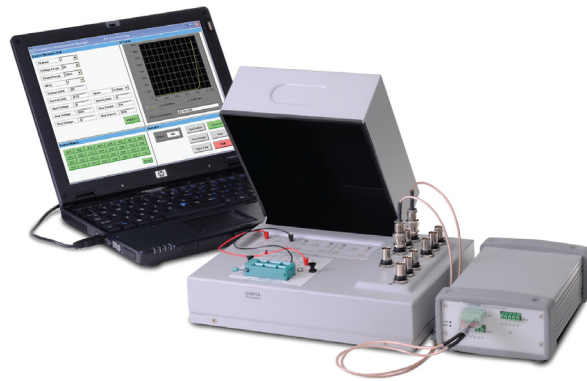


Figure 1. Sample setup of the U2941A connected directly to the U2722A source measure unit, and fastened with the DIP socket module.

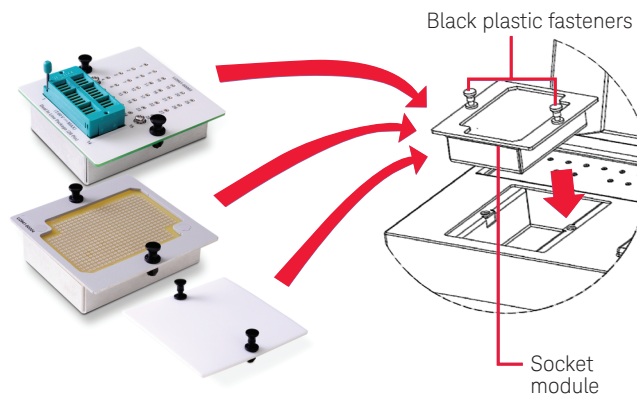


Figure 2. Socket modules are interchangeable to match pin configuration of device-under-test (DUT).

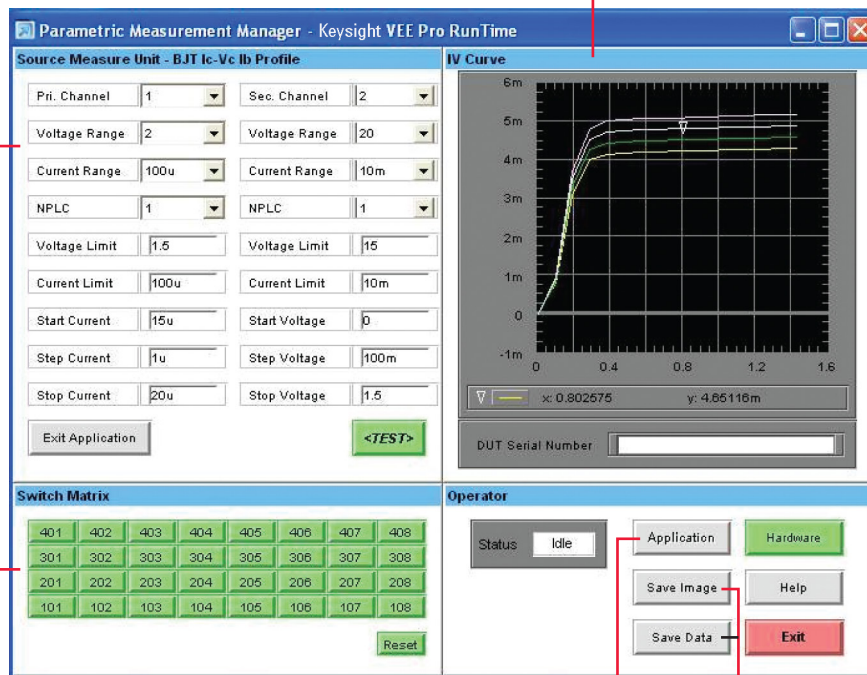
# Features of the Keysight Parametric Measurement Manager Software

The Keysight Parametric Measurement Manager software comes bundled with the U2941A parametric test fixture. The software helps kick start tasks sooner with the below features:

- Out-of-box configuration of instruments for easy set-up
- User-friendly graphical user interface
- IV curve plotting with various graph tools, including autoscale, zoom and markers
- Saving of IV curve data to text file format
- Saving of IV curve graph to JPEG file format
- Print graph function

Displays Main and Application test set-ups of the U2722A

Displays IV curve plot



Provides relay switching functions for single or multiple channels of the U2751A

Enables quick set-up of specific application tests (diode forward/reverse IV tests and resistance measurement) from the library

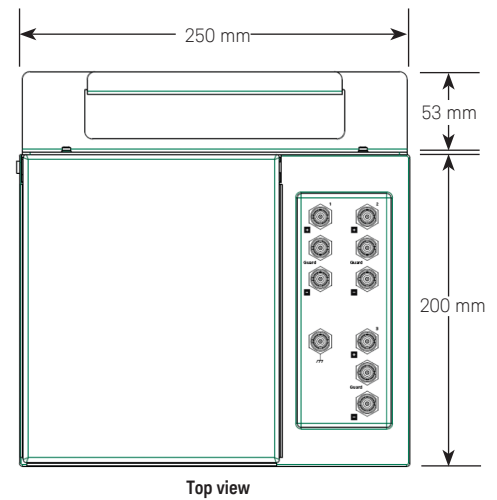
Saves IV curve plot image and data to JPEG and TXT files, respectively

# Specifications and System Requirements

## Specifications

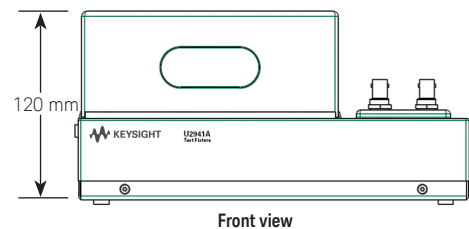
The following specifications are valid for 23 °C ±5 °C and <70% relative humidity.

Electrical specifications	
Voltage rating	60 VDC
Current rating	1 A
Environmental specifications	
Operating temperature	0 °C to 50 °C
Storage temperature	-20 °C to 70 °C
Operating humidity	20% to 85% RH non-condensing
Storage humidity	5% to 90% RH non-condensing
Altitude	Up to 2000 m
Physical specifications	
Dimensions (WxDxH)	250 mm × 200 mm × 120 mm
Weight	1.33 kg (approx.)



## Minimum system requirements

Hardware	
Processor	1.6 GHz Pentium IV or higher
RAM	512 MB (1.0 GB or higher recommended)
Hard disk space	1.0 GB free disk space at runtime
Display resolution	1024 × 768 recommended
Operating system and browser	
Operating system	<ul style="list-style-type: none"> <li>- Windows XP Professional or Home Edition, Service Pack 1 or later; or</li> <li>- Windows 2000 Professional, Service Pack 4 or later</li> </ul>
Browser	Microsoft Internet Explorer 5.01 (6.0 or higher recommended)
Software	
Keysight IO Libraries Suite <sup>1</sup>	Version 15.0 or higher
Keysight VEE <sup>2</sup>	Runtime version 8.5, patch 8.5.1
Keysight Measurement Manager <sup>3</sup>	Version 1.6 or higher
Microsoft .NET Framework <sup>1</sup>	Version 1.1 and 2.0



1. Available on Keysight Automation-Ready CD
2. Bundled with Keysight Parametric Measurement Manager CD
3. Bundled with Keysight U2722A USB modular source measure unit or Keysight U2751A USB modular switch matrix

# Ordering Information

## Parametric test fixture

U2941A



Items shipped as standard with parametric test fixture:

- Assembly PTFE plate
- 28-pin dual-in-line package (DIP) socket module
- 0.1-inch universal socket module
- 0.075-inch universal socket module
- 0.05-inch universal socket module
- Pin plug-to-pin plug cables, black (4 pcs)
- Pin plug-to-pin plug cables, red (4 pcs)
- Pin plug-to-pin plug cables, blue (4 pcs)
- Pin plug-to-miniature clip cables, black (4 pcs)
- Pin plug-to-miniature clip cables, red (4 pcs)
- Pin plug-to-miniature clip cables, blue (4 pcs)
- PCB jumper pin
- BNC to two-wire cable, 1 m (3 pcs)
- Keysight Parametric Measurement Manager CD (includes installation and operating guides)

## Socket modules

U2941A-201



Assembly PTFE plate

- Insulation board with minimal leakage current: suitable for extremely low-current measurements.

U2941A-202



28-pin dual-in-line package (DIP) socket module

- Lever actuated zero insertion force (ZIF) socket

U2941A-203



0.1-inch universal socket module

- 0.1-inch pitch: suitable for virtually any device such as components, DIP IC, or small scale circuit

U2941A-204



0.075-inch universal socket module

- 0.075-inch pitch: suitable for virtually any device such as components, DIP IC, or small scale circuit

U2941A-205



0.05-inch universal socket module

- 0.05-inch pitch: suitable for virtually any device such as components, DIP IC, or small scale circuit

## Cables

U2941A-101



Pin plug-to-pin plug cable, black

U2941A-102



Pin plug-to-pin plug cable, red

U2941A-103



Pin plug-to-pin plug cable, blue

U2941A-104



Pin plug-to-miniature clip cable, black

U2941A-105



Pin plug-to-miniature clip cable, red

U2941A-106



Pin plug-to-miniature clip cable, blue

U2941A-107

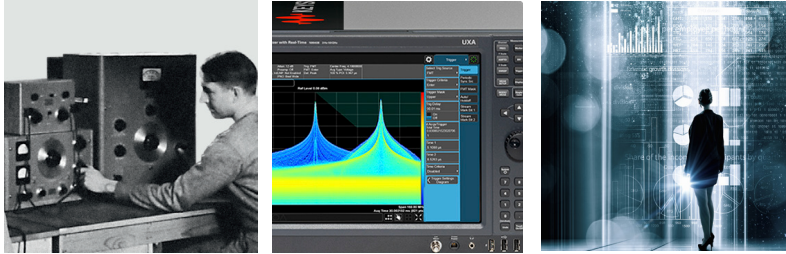


BNC to two-wire cable, 1 m

## Evolving Since 1939

Our unique combination of hardware, software, services, and people can help you reach your next breakthrough. We are unlocking the future of technology.

From Hewlett-Packard to Agilent to Keysight.



For more information on Keysight Technologies' products, applications or services, please contact your local Keysight office. The complete list is available at:

[www.keysight.com/find/contactus](http://www.keysight.com/find/contactus)

### Americas

Canada	(877) 894 4414
Brazil	55 11 3351 7010
Mexico	001 800 254 2440
United States	(800) 829 4444

### Asia Pacific

Australia	1 800 629 485
China	800 810 0189
Hong Kong	800 938 693
India	1 800 11 2626
Japan	0120 (421) 345
Korea	080 769 0800
Malaysia	1 800 888 848
Singapore	1 800 375 8100
Taiwan	0800 047 866
Other AP Countries	(65) 6375 8100

### Europe & Middle East

Austria	0800 001122
Belgium	0800 58580
Finland	0800 523252
France	0805 980333
Germany	0800 6270999
Ireland	1800 832700
Israel	1 809 343051
Italy	800 599100
Luxembourg	+32 800 58580
Netherlands	0800 0233200
Russia	8800 5009286
Spain	800 000154
Sweden	0200 882255
Switzerland	0800 805353
	Opt. 1 (DE)
	Opt. 2 (FR)
	Opt. 3 (IT)
United Kingdom	0800 0260637

For other unlisted countries:

[www.keysight.com/find/contactus](http://www.keysight.com/find/contactus)  
(BP-9-7-17)

**DEKRA Certified**  
ISO 9001 Quality Management System

[www.keysight.com/go/quality](http://www.keysight.com/go/quality)  
Keysight Technologies, Inc.  
DEKRA Certified ISO 9001:2015  
Quality Management System

### myKeysight

#### myKeysight

[www.keysight.com/find/mykeysight](http://www.keysight.com/find/mykeysight)

A personalized view into the information most relevant to you.

[http://www.keysight.com/find/emt\\_product\\_registration](http://www.keysight.com/find/emt_product_registration)

Register your products to get up-to-date product information and find warranty information.

### KEYSIGHT SERVICES

Accelerate Technology Adoption.  
Lower costs.

#### Keysight Services

[www.keysight.com/find/service](http://www.keysight.com/find/service)

Keysight Services can help from acquisition to renewal across your instrument's lifecycle. Our comprehensive service offerings—one-stop calibration, repair, asset management, technology refresh, consulting, training and more—helps you improve product quality and lower costs.



#### Keysight Assurance Plans

[www.keysight.com/find/AssurancePlans](http://www.keysight.com/find/AssurancePlans)

Up to ten years of protection and no budgetary surprises to ensure your instruments are operating to specification, so you can rely on accurate measurements.

#### Keysight Channel Partners

[www.keysight.com/find/channelpartners](http://www.keysight.com/find/channelpartners)

Get the best of both worlds: Keysight's measurement expertise and product breadth, combined with channel partner convenience.

[www.keysight.com/find/u2941a](http://www.keysight.com/find/u2941a)



This information is subject to change without notice.  
© Keysight Technologies, 2017  
Published in USA, December 2, 2017  
5989-9741EN  
[www.keysight.com](http://www.keysight.com)