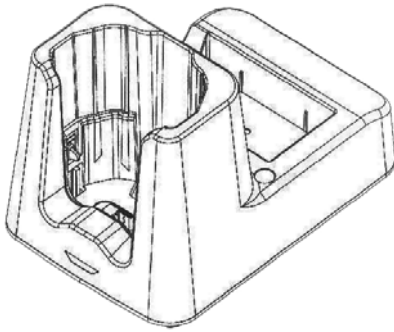


Wasp WDT950 Single Slot Cradle



Quick Start Guide

Package

Please make sure the following items are in the box. If something is missing or damaged, please contact your sales representative.

The package items include:

- WDT950 Single Slot Cradle
- Power Supply (5V/ 6A) Without Power Cord

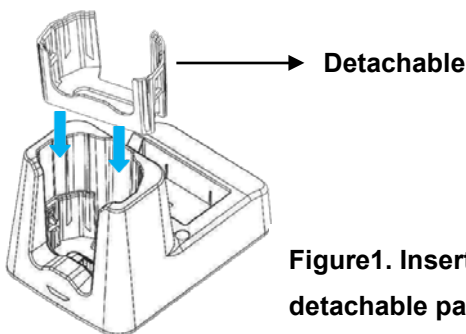
Optional accessories

- US power cord
- EU power cord
- UK power cord

How to use the WDT950 single slot cradle

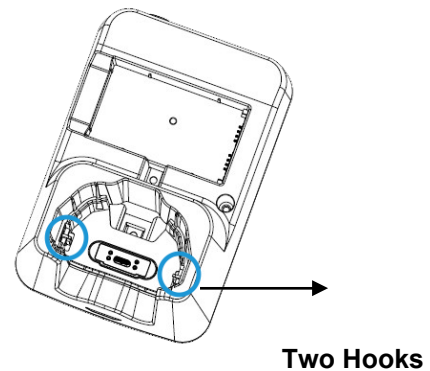
There are two options to charge the terminal:

- You can directly charge the WDT950 with the bumper case on and slide it into the cradle.
- To charge the WDT950 without the bumper case, please install this detachable part into the cradle before charging.



How to remove the detachable part

There are two hooks on each side of the cradle.



Use your thumb to lift up and take out the detachable part. Once it is unhooked, you can lift it up from both sides.

LED Indicator Status

When the cradle is under standby mode:	
Blue LED	Power is on
When battery is charging:	
Red LED	Battery is being charged in rear slot
Blue LED	Battery charging is completed
When WDT950 is inserted in the cradle, the LED indicator on the cradle will not be changed. The charging status is indicated by the LED of WDT950:	
Red LED	WDT950 is being charged
Green LED	WDT950 charging is completed

