

POS Hardware

COMPLETE HARDWARE KIT



Productivity Solutions for Small Businesses

The Wasp Complete Point of Sale Hardware Kit delivers the components you need to build a successful POS system, from a barcode scanner and point of sale keyboard to pole display, cash drawer, and receipt printer. Simply add a PC and monitor to complete your point of sale workstation.

■ **WRP8055 RECEIPT PRINTER**

Generate professional-looking receipts for customers



■ **WPD720 POLE DISPLAY**

Display point of sale information to customers



■ **POS SHOE**

Encases cash drawer and provides organization for POS peripherals including keyboard

■ **WCD5000 CASH DRAWER**

Store and organize cash, coins, and credit slips securely



■ **THE COMPLETE POS HARDWARE KIT INCLUDES:**

- ▶ WLR8900 CCD LR Barcode Scanner
- ▶ WRP8055 POS Receipt Printer
- ▶ WPD720 Pole Display
- ▶ WKB1155 POS Keyboard with Integrated MSR
- ▶ WCD5000 Cash Drawer
- ▶ POS Shoe

■ **WLR8900 CCD LR SCANNER**

Scan barcoded price tags

■ **WKB1155 POS KEYBOARD**

Input data and process credit cards with integrated magnetic stripe reader

WLR8900

CCD LR SCANNER



Productivity Solutions for Small Businesses

The Wasp WLR8900 CCD LR barcode scanner delivers durability and efficiency, easily reading barcodes from up to 12 inches away. Manufactured from ABS plastic and featuring a CCD scan engine, the WLR8900 is ideal for point-of-sale applications. The scanner features a pistol grip and lightweight design, perfect for high-usage environments. The WLR8900 includes a hands-free stand for maximizing checkout efficiency.

■ WASP WLR8900 FEATURES

- ▶ Scan range of up to 12 inches away
- ▶ Reads most barcode symbologies (including Code 39 and Code 128)
- ▶ Easily installs via your USB port—no software or power supply required
- ▶ Compatible with virtually any PC
- ▶ Includes eight (8) foot cable and hands-free stand

■ BENEFITS

- ▶ Increased accuracy and efficiency compared to manual data entry processes
- ▶ Economical scanning solution
- ▶ Easy installation and use eliminates the need for extensive user training
- ▶ Ergonomic and lightweight design to minimize user fatigue
- ▶ Integrates with OPOS compliant POS software

WLR8900

CCD LR SCANNER



Productivity Solutions for Small Businesses

■ SPECIFICATIONS

OPTICAL FEATURES	Scanning width: 150 mm (40 mil) / 0.9pcs Depth of field: 3.5" to 13.8" (5 mil to 40 mil) Best resolution: 5 mil to 20 mil Decode rate: 150 scans / second
ELECTRICAL CHARACTERISTICS	Light source: 660 nm visible red LED Sensor: 2660 Pixels CCD arrays Operating voltage: +5 VDC ±10% Current consumption: Decoded: Standby 25mA (Working) 150 mA
MECHANICAL CHARACTERISTICS	Dimensions: W 4.2" x T 2.4" x H 6.3" Net weight: 5.5 oz (without cable) Cable: 8' in length, interchangeable Mechanical shock: 6 ft (1.82 m) Drop onto concrete surface
ENVIRONMENT CHARACTERISTICS	Operating temperature: 32°F to 122°F Storage temperature: -20°C to 60°C Relative humidity: 20% TO 80% non-condensing Safety certification: Conforms FCC Class A and CE requirements
1D (LINEAR) SYMBOLOGIES READ	Codabar, Code 3 of 9 (Code 39), Code 3 of 9 Full ASCII, Code 11, Code 32, Code 93, Code 128 (including UCC/EAN 128), EAN/JAN-8 (plus supplements), EAN/JAN-13 (plus supplements), Industrial 2 of 5 (25), Interleaved 2 of 5, ISBN, Matrix 25, MSI Plessey, UPC-A (plus supplements), UPC-E (plus supplements), China Post Code, RSS14, Telepen

WCD5000

CASH DRAWER



Productivity Solutions for Small Businesses

The Wasp WCD5000 cash drawer features all-metal, rugged construction and a compact design, perfect for retail environments with limited space. Engineered for easy installation and use, the WCD5000 offers two media slots for separating checks and coupons. The WCD5000 easily integrates with Epson® or Epson® compatible printers.

WCD5000 CASH DRAWER FEATURES

- ▶ All-metal construction
- ▶ Weight: 14.9 lbs
- ▶ Dimensions: 16.2" (L) x 16.25" (W) x 4.3" (H)
- ▶ Cash drawer interface included
- ▶ Removable till includes 5 bill slots and 8 coin slots
- ▶ Keyed lock to provide maximum security
- ▶ Two media slots

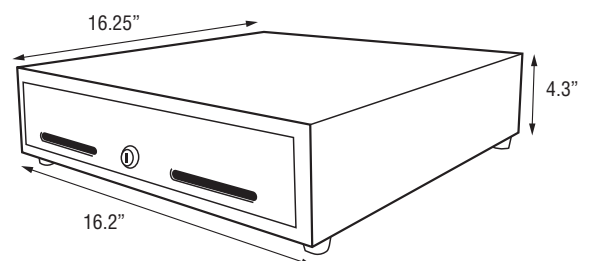
BENEFITS

- ▶ Rugged design tolerates busy retail operations
- ▶ Compact design ideal for space-constrained environments
- ▶ Easily connects between Epson or Epson compatible printers
- ▶ Two media slots allow you to separate checks and coupons
- ▶ Integrates with OPOS compliant POS software

SPECIFICATIONS

STANDARD FEATURES	Approximate weight	14.9 lbs
	Material	metal
	Tray type	5B/8C
	Solenoid Release	24V
	Pin assignment	Epson compatible

OUTER DIMENSIONS



WPD720

POLE DISPLAY



Productivity Solutions for Small Businesses

The Wasp WPD720 is ideal for any retail application, featuring a compact footprint and easy-to-read display. Interchangeable pole heights and rotating display make it easy to adjust the WPD720 to your retail environment. The WPD720 is rated at over 25,000 hours of use, offering maximum value for your investment.

WPD720 POLE DISPLAY FEATURES

- ▶ Displays up to 40 characters of alphanumeric text
- ▶ Rated at over 25,000 hours of use
- ▶ Easily installs via your PC's USB port
- ▶ Manufactured for durability
- ▶ Interchangeable pole height

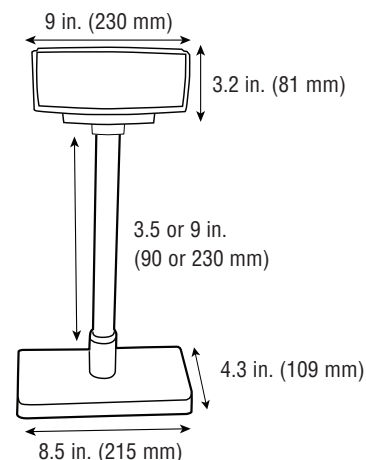
BENEFITS

- ▶ 40-character display with blue-green color allows information displayed to be read easily by customers
- ▶ 270-degree display rotation and +/- 15-degree viewing angle give you maximum flexibility in information display
- ▶ Compact design is ideal for space-constrained point-of-sale applications

SPECIFICATIONS

STANDARD FEATURES	Display method	Vacuum fluorescent display
	Display color	Blue green
	Number of characters	40 character (20 columns x 2 lines)
	Brightness	700 cd/m2
	Character type	96 alphanumeric
	Character font	5 x 7 dot matrix, comma, decimal point
	Character pitch	8.3 mm
	Interface	USB
	Power supply	12VDC +/- 5%
	Power consumption	5W
	MTBF	25,000 hours
	View angle	+/- 15 degrees
	Rotation angle	270 degrees maximum
	Safety	FCC Class B, CE Class B, EMC Approved

OUTER DIMENSIONS



WKB1155

POS KEYBOARD



Productivity Solutions for Small Businesses

The Wasp WKB1155 POS keyboard features a compact design, to deliver maximum functionality in point-of-sale applications. Save valuable space in your retail work environment with the integrated magnetic stripe reader for processing gift cards and credit cards. An integrated spill resistant membrane makes the WKB1155 ideal for any retail application.

WKB1155 POS KEYBOARD FEATURES

- ▶ Standard PC Qwerty keys
- ▶ Connects directly to your PC via USB port
- ▶ Spill resistant
- ▶ Built-in magnetic stripe reader for processing credit, debit, and gift cards
- ▶ Programmable keys

BENEFITS

- ▶ Integrated magnetic stripe reader delivers maximum functionality in limited spaces
- ▶ Compact size is ideal for POS workstations
- ▶ Standard Qwerty keyboard for easy use
- ▶ Spill resistant membrane protects the keyboard from damage caused by liquids
- ▶ Integrates with OPOS compliant POS software

SPECIFICATIONS

STANDARD FEATURES	Compact keyboard with standard PC QWERTY Spill resistant membrane Direct USB connectivity Reads credit cards, ATM cards and driver's license Weight 3.50 lbs. FCC, CE, EMC approved
--------------------------	--

WRP8055

POS RECEIPT PRINTER



Productivity Solutions for Small Businesses

The Wasp WRP8055 receipt printer uses thermal printing technology to create high quality receipts. Easily deliver crisp, professional receipts to your customers, printed at 203 dpi print resolution. Featuring a print speed of up to 6 inches per second, the WRP8055 offers a compact, space-saving design, ideal for retail applications. Connect the WRP8055 directly to your PC via the USB port, for easy installation. WRP8055's durable construction provides the reliability your retail business requires.

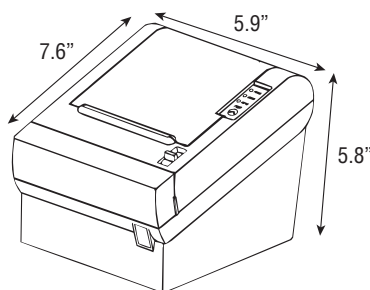
■ WKB1150 POS KEYBOARD FEATURES

- ▶ Print speed up to 6 inches per second at 203 dpi
- ▶ Direct thermal print technology
- ▶ Epson-driver compatible
- ▶ Integrated auto-cutter

■ BENEFITS

- ▶ Create high quality, professional receipts
- ▶ Increase the speed of point of sale transactions
- ▶ Easy media loading allows you to quickly change receipt paper rolls
- ▶ Integrates with OPOS compliant POS Software

■ OUTER DIMENSIONS



WRP8055

POS RECEIPT PRINTER



Productivity Solutions for Small Businesses

SPECIFICATIONS

PRINT	Print Method	Direct Thermal
	Printing Speed	130 mm/sec (5.511 IPS)
	Dot Density	203 DPI x 180 DPI
	Dot Pitch	0.141 mm, 0.125 mm
	Printing Width	72 mm, 552 dots/line
	Characters Per Line	A=46 columns, B=61 columns
PAPER	Paper Type	Thermal paper/Roll type
	Paper Width	80 mm ± 0.1 mm
	Paper Thickness	0.06 - 0.09 mm
	Paper Roll Diameter	Max. 83.0 mm
	Roll Core Inner Diameter	12.5 mm ± 0.5 mm
	Paper Supply Method	D&P (Drop and Print) Mechanism
INTERFACES	Standard	USB
	Barcodes	EAN-8, EAN-13, CODE 39, CODE 93, CODE 128, UPC-A, UPC-E, CODABAR
CHARACTER SET	Alphanumeric Character	95
	Extended Graphic	128 x 7 page (1 space page)
	International Character	32
EMULATION	ESC/POS Command Compatible	TM-T88 (II), TSP552 (II), CBM233
ENVIRONMENTAL	Operating Temperature	5 to 40°C
	Storage Temperature	-20 to 60°C
	Relative Humidity	35 to 85%, 10 to 90% (storage)
	Safety Certification	FCC-Class A, UL, cUL

SPECIFICATIONS

DRIVER	Driver	Epson® driver compatible or generic text
POWER SUPPLY	External Adapter	AC 100V ~ 250V, 50/60Hz
AUTO CUTTER	Type	Guillotine
	Life	300,000 cuts
PAPER	Paper Thickness	0.06 - 0.09 mm
	Cutting Method	Full/Partial Cut

Additional Hardware

POS ADD-ONS



Productivity Solutions for Small Businesses

Additional components for your point of sale solution are available for purchase separately.

WPS150 OMNIDIRECTIONAL BARCODE SCANNER



Features:

- ▶ Twenty-line omnidirectional laser scan pattern
- ▶ Compact size is ideal for space-constrained point-of-sale workstations

Benefits:

- ▶ Aggressive omnidirectional scan pattern delivers faster checkout
- ▶ Easily reads barcodes at any angle for improved accuracy

WDT2200 PORTABLE DATA TERMINAL



Features:

- ▶ Available with long range CCD or laser scan engine
- ▶ DOS-based operating system
- ▶ IP54-rating for protection against water and dust

Benefits:

- ▶ Easily conduct stock audits from your warehouse or stockroom, and then sync back to your PC
- ▶ Accurately track stock levels to prevent overstock and shrinkage

WWS550i CORDLESS BARCODE SCANNER



Features:

- ▶ Highly durable, long range CCD scan engine
- ▶ Autosense mode available with optional hands-free stand
- ▶ Integrated, rechargeable battery
- ▶ Compatible with Android™ and iOS® devices

Benefits:

- ▶ Easily scan barcoded items without the tangle of cords, up to 160' away from your PC
- ▶ Lightweight, ergonomic design offers comfortable use in repetitive scanning applications

WPL305 DESKTOP THERMAL PRINTER



Features:

- ▶ 203 DPI Print resolution
- ▶ Thermal transfer or direct thermal print methods
- ▶ Includes Windows print drivers

Benefits:

- ▶ Create barcoded tags for stock items to improve checkout efficiency
- ▶ Easy installation and use