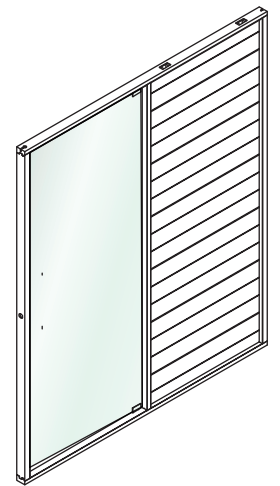
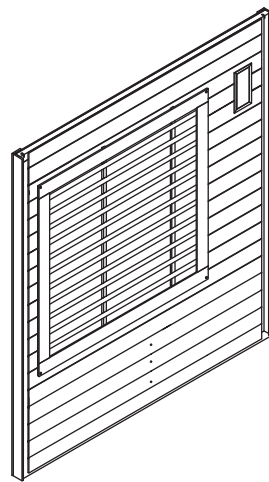
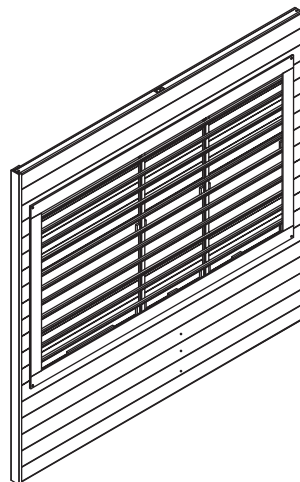
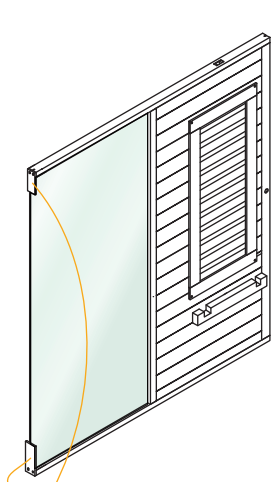


Ⓘ 1x Left Wall with Glass Door

⓵ 1x Back Wall

Ⓚ 1x Right Wall

Ⓛ 1x Front Wall with Glass door



secure plates before assembly - see STEP 3.

20072022

PRE-STEPS

- Un-pack each wall segment from the shipping material.
- Stage each wall segment in the room you will be assembling the unit.



240V, 3031 watts. Dedicated 15A circuit and 15A power socket protected by a 16A RCBO installed in the meter box.

Minimum 2.5mm cable required for circuit; 2.5m cord exists from back left of roof.*

See USER MANUAL

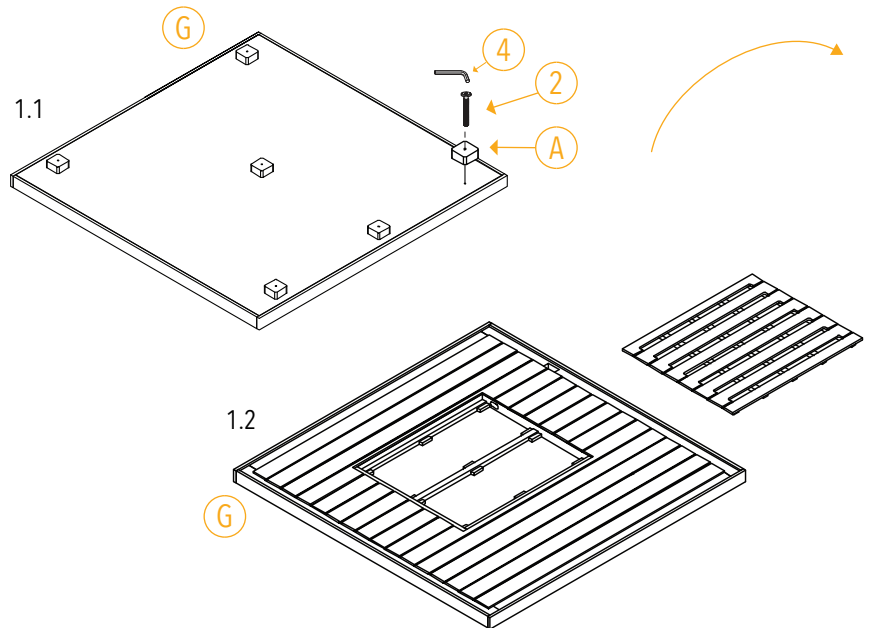
* Failure to do so will void your sauna's warranty and customer will assume liability for any electrical damages to the sauna itself or the residence/business in which the sauna is installed.

STEP 1

- Attach the feet pegs (A) with supplied Allen wrench and bolts (2) to the underside of floor (G) (see illustration 1.1).
- Cut the zip ties holding the floor grate, the fabric will adhere to the Velcro on the underside of the grate (see illustration 1.2).

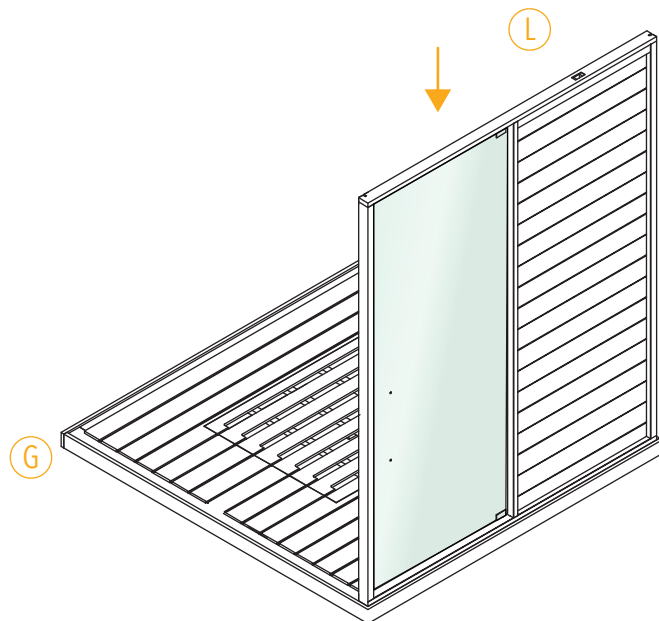
TIP: One side of the fabric adheres better

NOTE: Make sure the floor panel is on a surface that is perfectly level & relatively smooth.



STEP 2

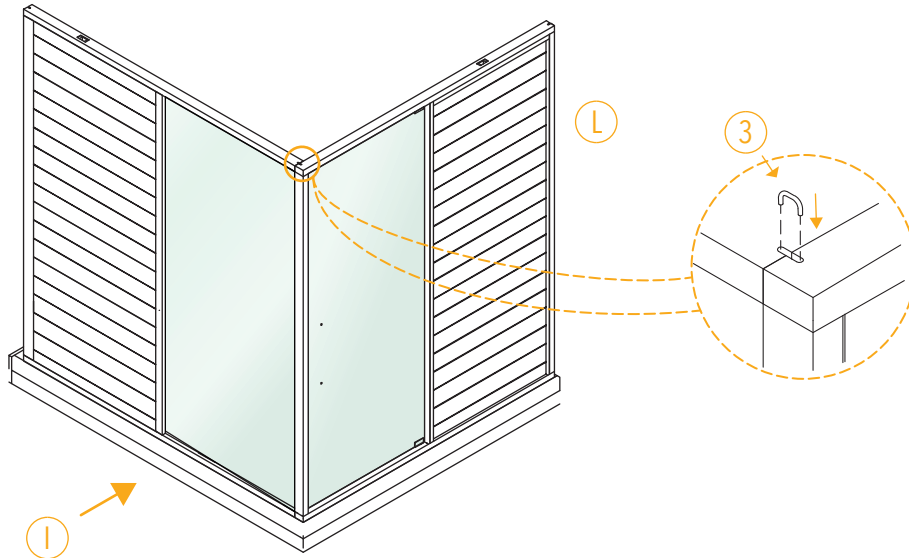
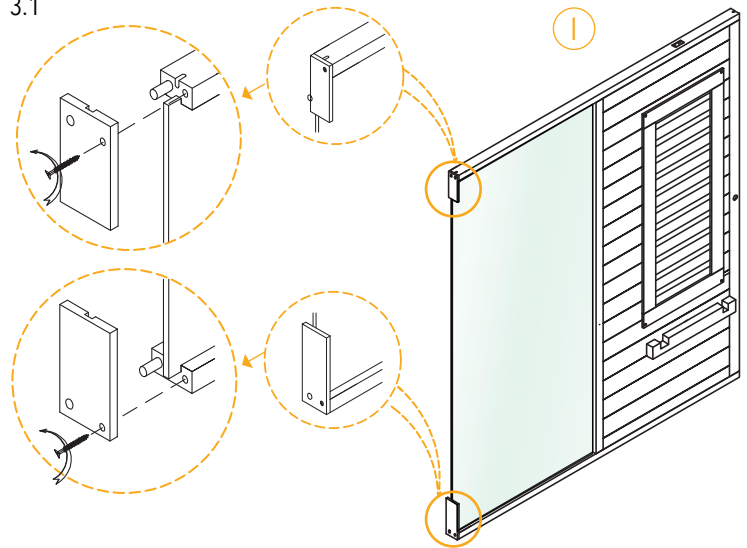
- Place the back wall (L) on the back of the floor panel (G).
- Be sure you have two people assisting with this step. This is the side with the sauna information label on the bottom edge.



STEP 3

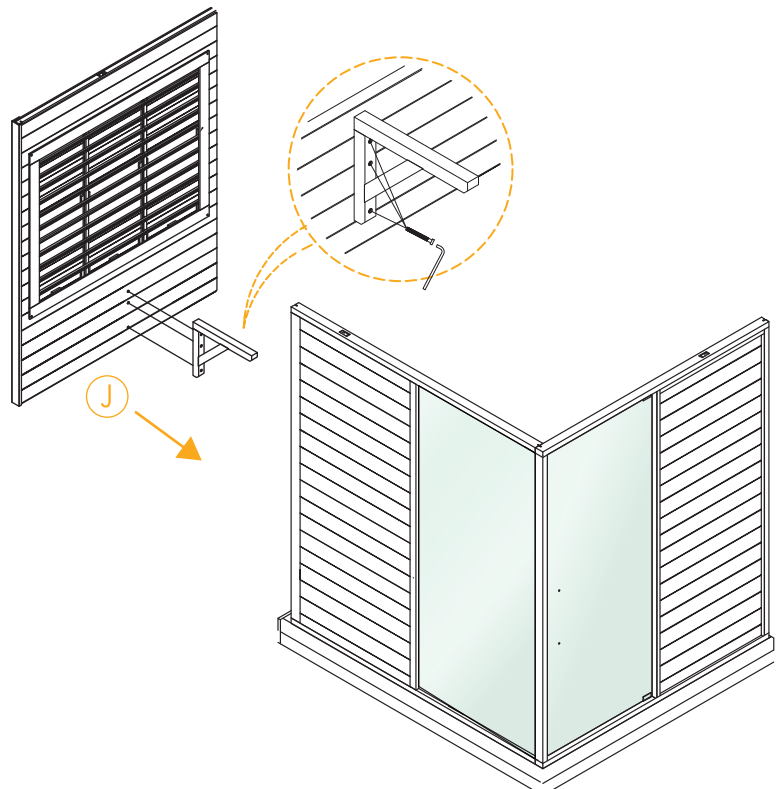
- Secure plates to glass door (3.1) of left wall ①.
- Place left wall ① on the left side of floor panel. This wall panel should sit flush once properly seated.
- Make sure no gaps are visible in the corner of the two walls as you insert it. It should be inserted flush.
- As you insert each wall segment, you will insert the U-clips in the pre-drilled holes in the corner. This will keep the walls sealed together.

3.1



STEP 4

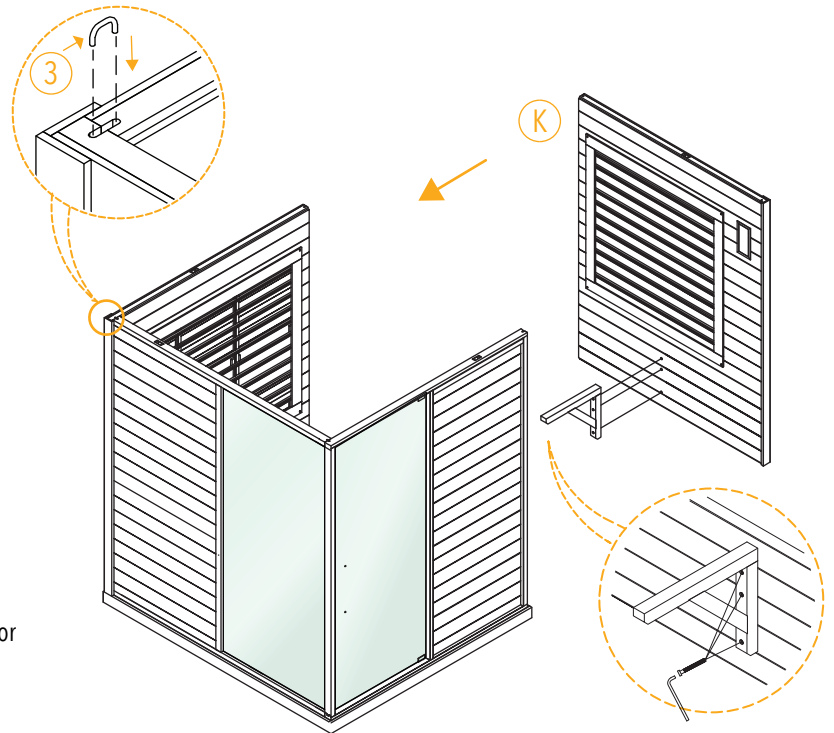
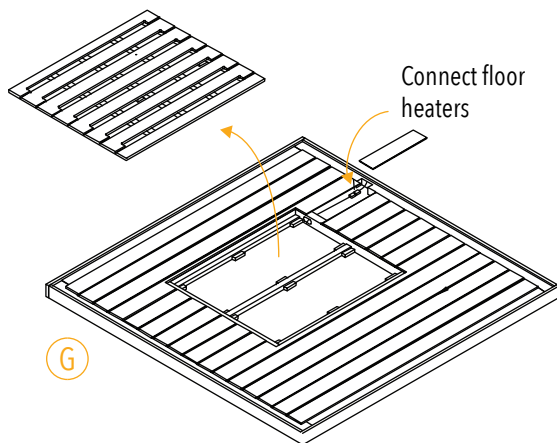
- The next wall to insert will be the back wall ②. This wall will have three pre-drilled holes underneath the heater frames to insert one of the two bench supports ④.
- Using the labeled bolt and Allen wrench, insert the support once the wall has been placed and a U-clip installed in the top corner of the left and back wall.



STEP 5

- The right wall (K) will be the last to be inserted.
- Make sure it is flush and no gaps are showing in the corners.
- Like STEP 4, one more bench support needs to be installed using the pre-drilled holes on the right wall.

NOTE: If you ever have trouble getting a U-clip to slide in, this can be resolved by tapping it with a hammer.

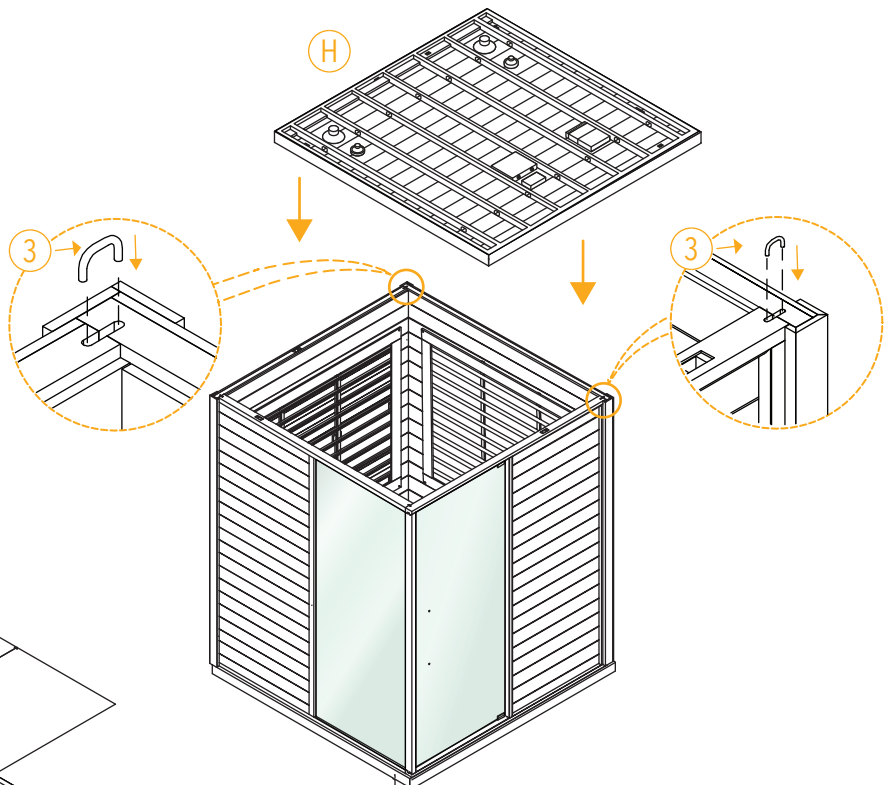
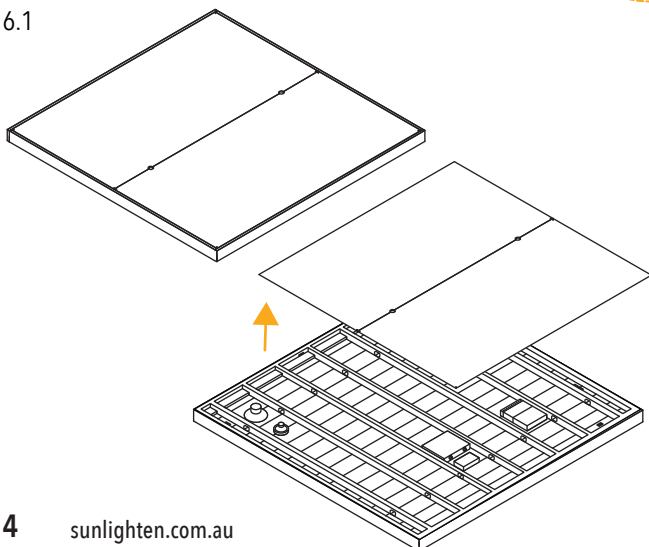


- If you have not yet done so, the floor heaters will need to be connected to the right wall wires. The diagram to the left shows where the connection is made.
- You will need to remove the floor grate and a small hatch covering the harness.

STEP 6

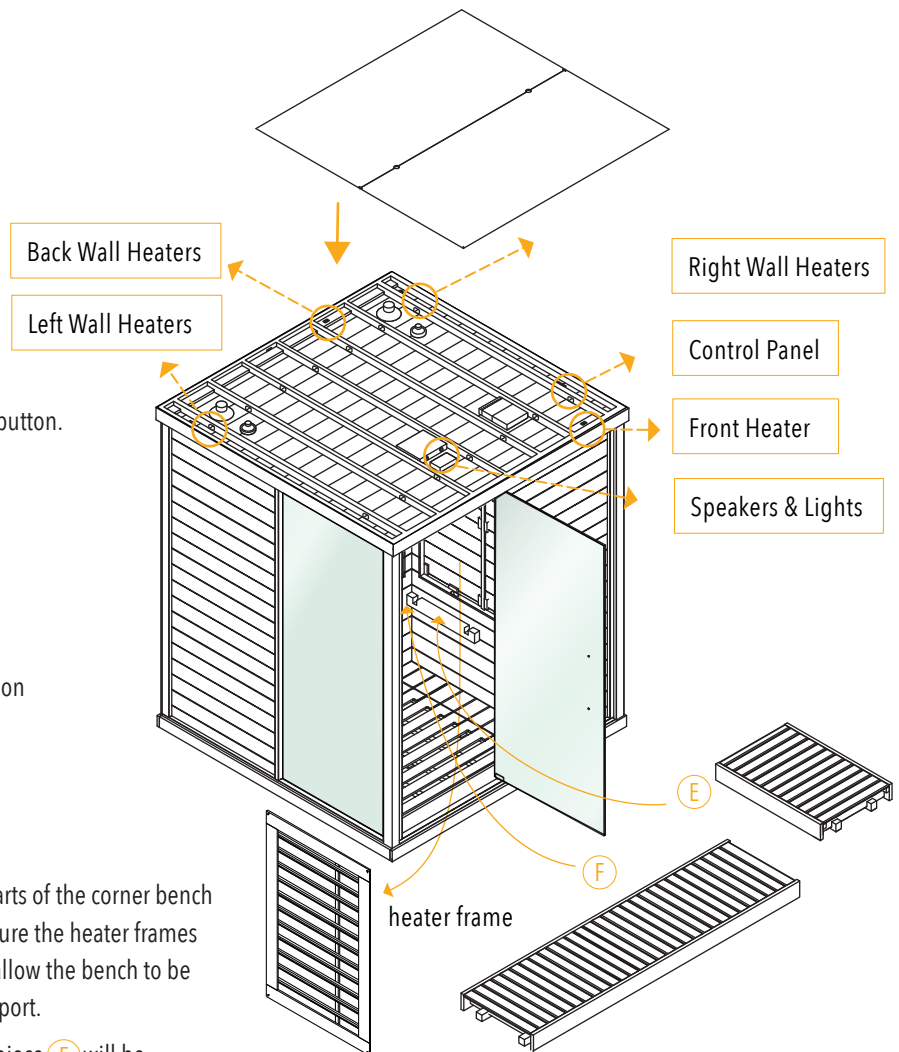
- Remove the roof cover panels (see illustration 6.1 below).
- Once all the U-clips have been inserted in the corners, the next step will be to place the roof (H) on top without roof cover panels.
- Make sure the side the main powercord receptacle faces the back.

6.1

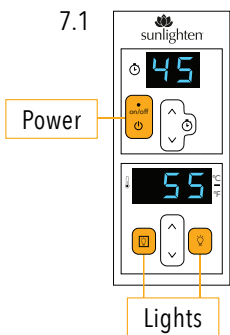


STEP 7

- Please make all connections on the roof of the sauna as illustrated
- Connect sauna to external power.
- Turn on the power to sauna (see illustration 7.1 below).
- Check all of the heaters are working by placing your hand against the heater cover to feel the heat.
- Check the radio is operating by quickly tapping the SRC button.
- Check the lights turn on using the control panel (see illustration 7.1 below).
- If all electronics are working, turn them off and turn off the power to the sauna.
- Replace the roof panels.
- In the event a heater is not working, unplug the connection and firmly plug back in. Then re-test with power on.
- If you require any support, please contact our Technical Service team.



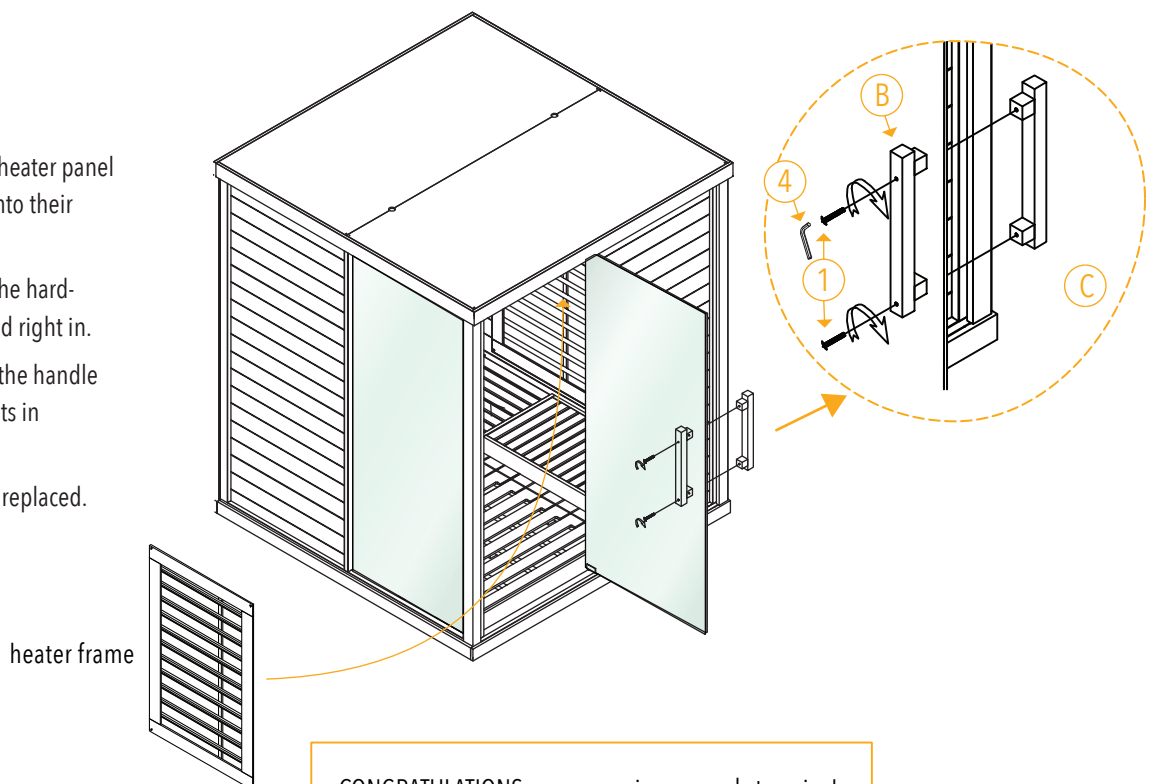
7.1



- Before the two parts of the corner bench is placed, make sure the heater frames are taken out to allow the bench to be placed on its support.
- The large bench piece (F) will be inserted on the back wall, while the smaller bench (E) will be inserted last, won the right wall support.

STEP 8

- With the bench installed, the heater panel frames can be inserted back into their respectable walls.
- The door handles come with the hardware and can easily be screwed right in.
- A second person should hold the handle while the other screws the bolts in with the Allen wrench.
- The dust cover should also be replaced.



CONGRATULATIONS your sauna is now ready to enjoy!
If you have any queries please call
Sunlighten Customer Support at 1800 786 544.