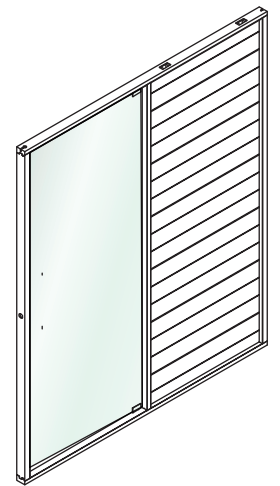
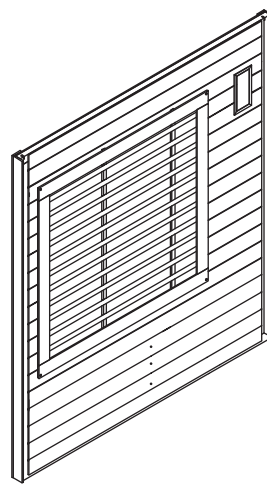
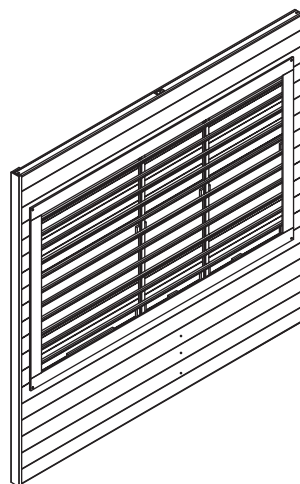
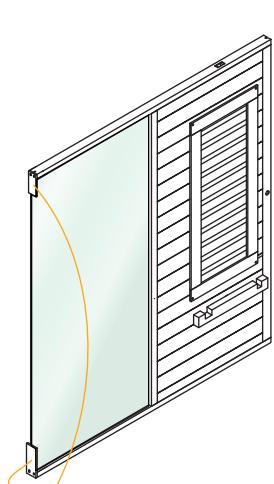


I 1x Left Wall with Glass Panel

J 1x Back Wall

K 1x Right Wall

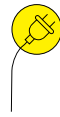
L 1x Front Wall with Glass Door



secure plates before assembly - see STEP 3.

## PRE-STEPS

You will want two or more people to assemble your sauna.  
Unpack each wall segment from the shipping material.  
Stage each wall segment in the room you will be assembling the unit.



240V, 2750W. Dedicated 20A circuit\* (not found in common electrical setups - may need a transformer to accommodate). It is important when installing the dedicated circuit for your unit that you include a GFCI (Ground Fault Interrupter) or a Dual Function (Combination AFCI and GFCI) breaker. Please note if your codes require a DF or GFCI.

*\* Failure to do so will void your sauna's warranty and customer will assume liability for any electrical damages to the sauna itself or the residence/business in which the sauna is installed.*

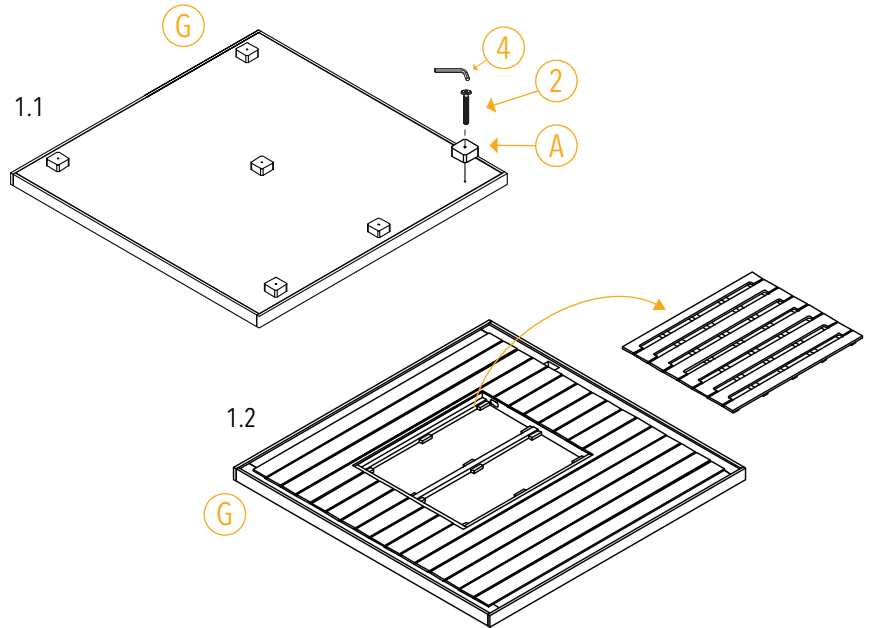
## STEP 1

1.1 Attach the feet pegs (A) with supplied Allen wrench and bolts (2) to the underside of floor (G).

1.2 Cut the zip ties holding the floor grate. The fabric will adhere to the Velcro on the underside of the grate.

TIP: One side of the fabric adheres better.

NOTE: Make sure the floor panel is on a surface that is perfectly level and relatively smooth. Failure to do so can cause the door to not close all the way in the later steps.



## STEP 2

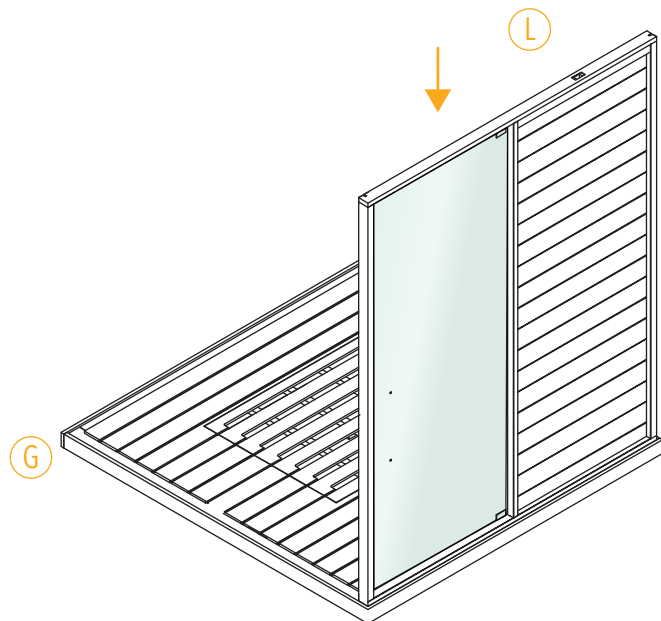
NOTE: Before you begin installing the walls, be sure you have at least:

- 8 in between the back of the sauna and the walls.
- 12 in gap from the top of the sauna to the ceiling.
- Place the sauna next to the wall power outlet to ensure you have access to the wall power socket outlet to cut the power to the unit if required.

In this step, make sure one person is holding the wall while the other helps balance it and press it in place.

Place the front wall (L) on the front of the floor panel (G).

Be sure you have two people assisting with this step. Be careful of the glass door as you install the wall.



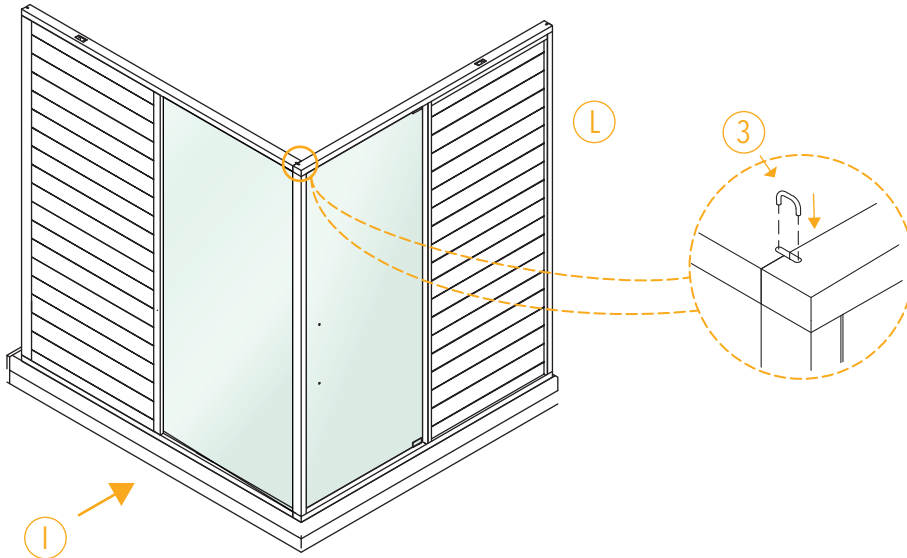
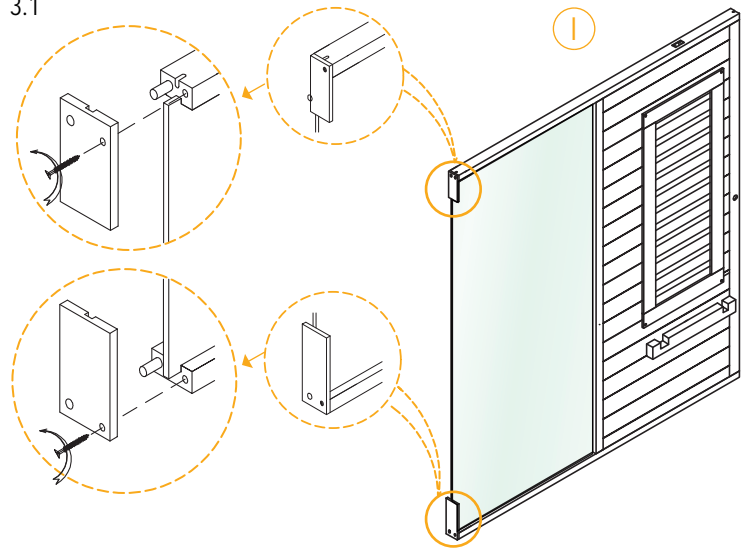
### STEP 3

Secure plates to glass panel (3.1) of left wall (I).

Place left wall (I) on the left side of floor panel. This wall panel should sit flush once properly seated. Make sure no gaps are visible in the corner of the two walls as you insert it. It should be inserted flush.

As you insert each wall segment, you will insert the U-clips in the pre-drilled holes in the corner. This will keep the walls sealed together.

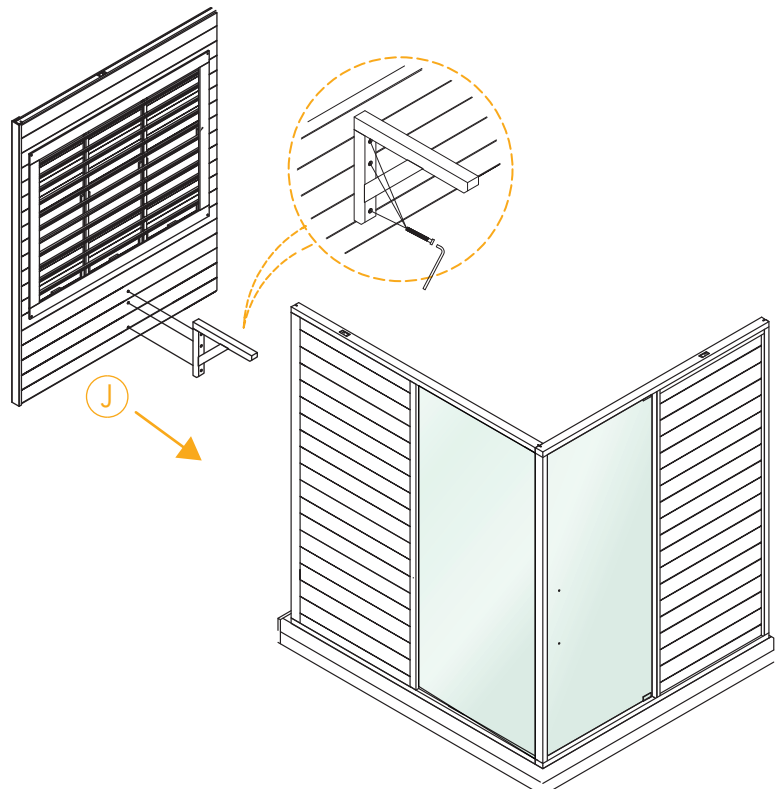
3.1



### STEP 4

The next wall to insert will be the back wall (J).

This wall will have three pre-drilled holes underneath the heater frames to insert one of the two bench supports (D). Using the labeled bolt and Allen wrench, insert the support once the wall has been placed and a U-clip installed in the top corner of the left and back wall.

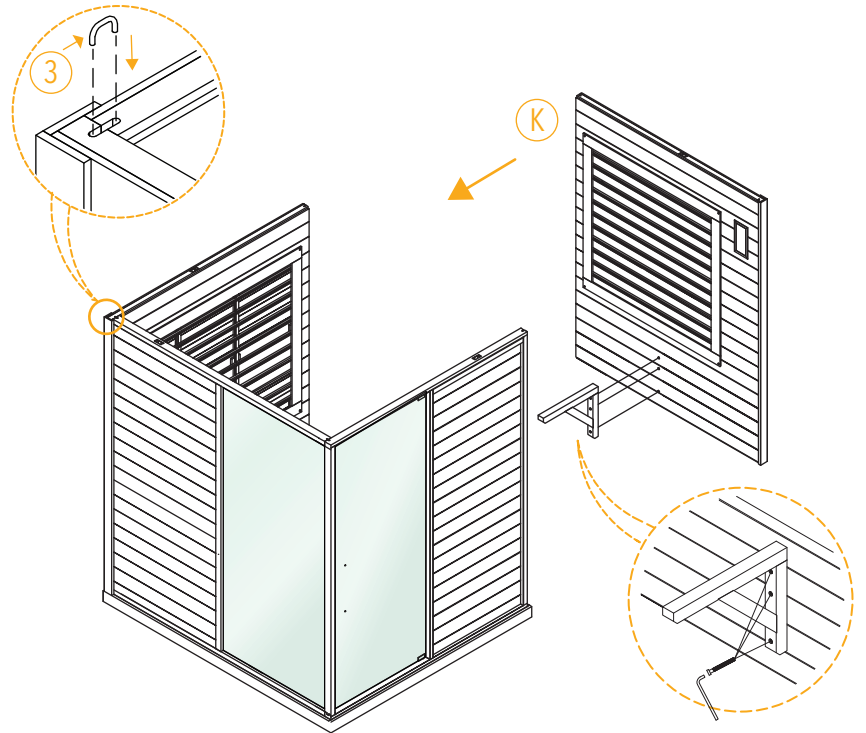


## STEP 5

The right wall (K) will be the last to be inserted. Make sure it is flush and no gaps are showing in the corners.

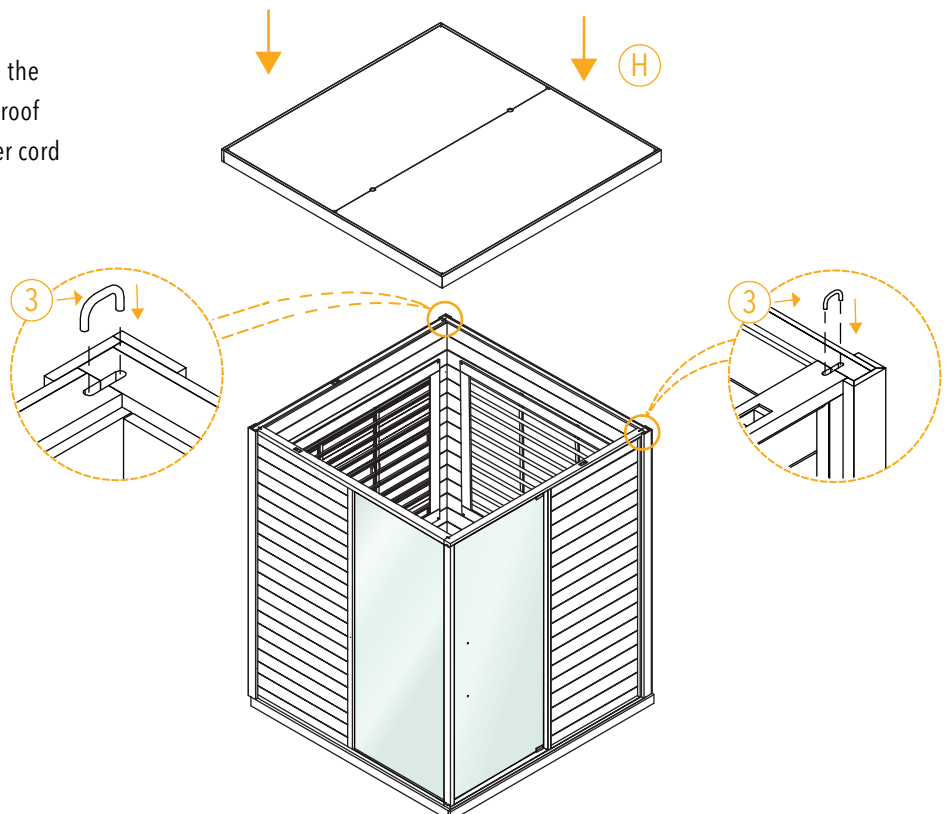
Like STEP 4, one more bench support needs to be installed using the pre-drilled holes on the right wall.

NOTE: If you ever have trouble getting a U-clip to slide in, this can be resolved by tapping it with a hammer.



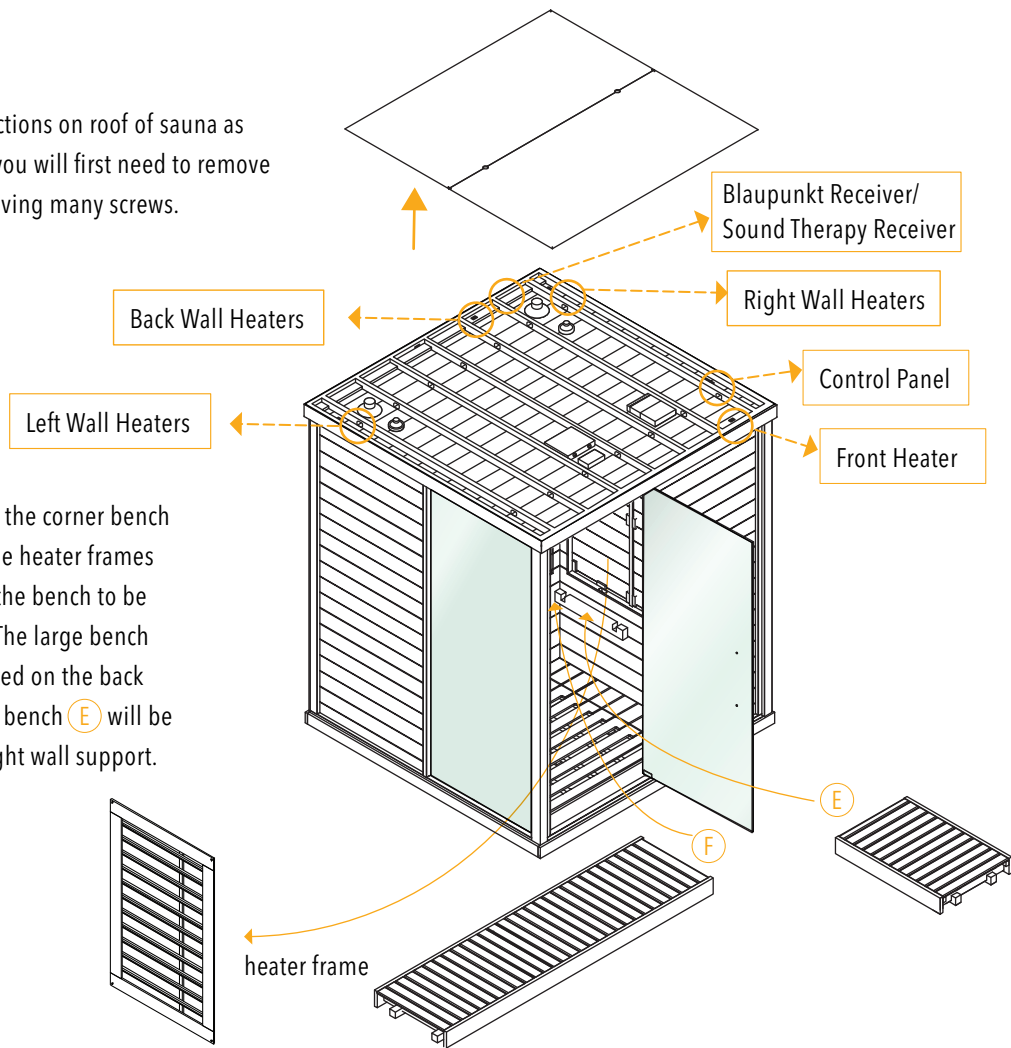
## STEP 6

Once all the U-clips have been inserted in the corners, the next step will be to place the roof on top. Make sure the side the main power cord receptacle faces the back.



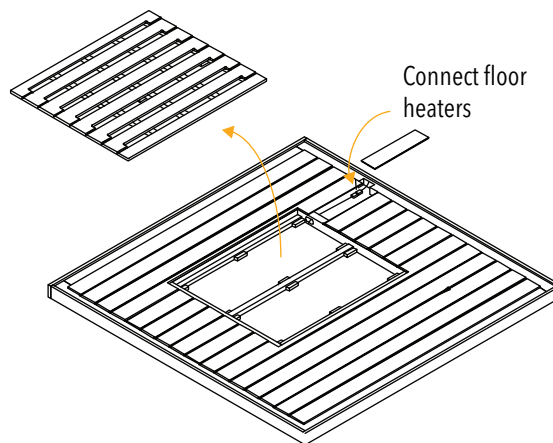
**STEP 7**

Please make all connections on roof of sauna as illustrated. To do this, you will first need to remove the dust cover by removing many screws.



Before the two parts of the corner bench is placed, make sure the heater frames are taken out to allow the bench to be placed on its support. The large bench piece (F) will be inserted on the back wall, while the smaller bench (E) will be inserted last, on the right wall support.

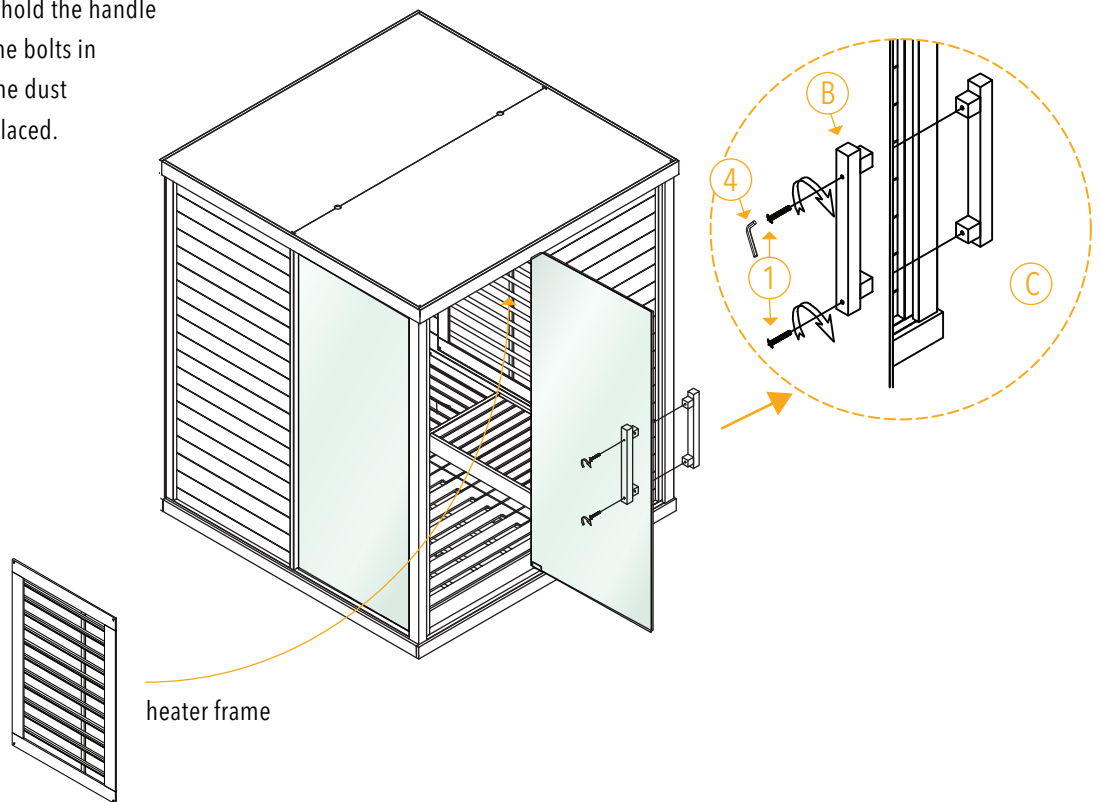
The floor heaters will need to be connected to the right wall wires. The diagram to the right shows where the connection is made. You will need to remove the floor grate and a small hatch covering the harness.



## STEP 8

With the bench installed, the heater panel frames can be inserted back into their respective walls.

The door handles come with the hardware and can easily be screwed right in. A second person should hold the handle while the other screws the bolts in with the Allen wrench. The dust cover should also be replaced.



CONGRATULATIONS, your sauna is now ready to enjoy!

If you have any questions, please call  
**Sunlighten Customer Support** at **877.292.0020**.