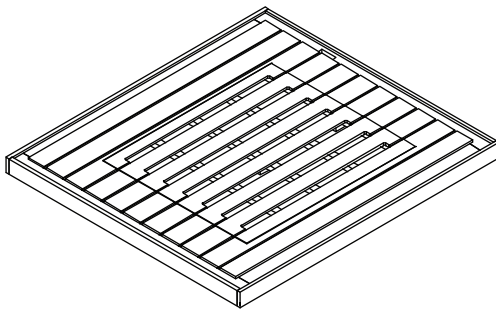
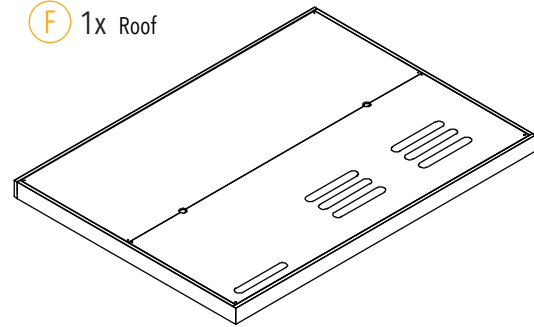


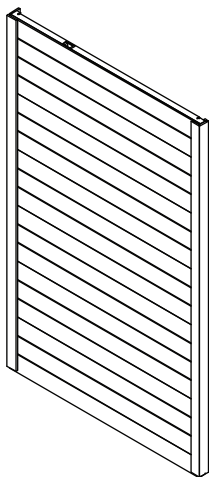
Ⓔ 1x Floor



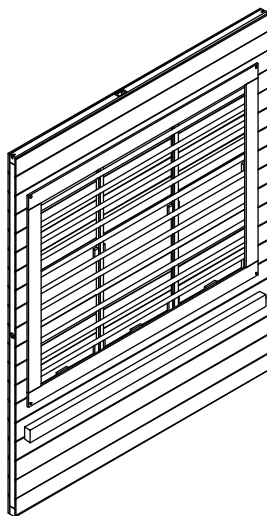
Ⓕ 1x Roof



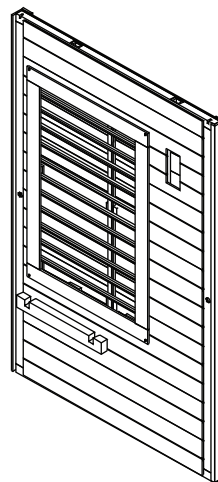
Ⓖ 1x Left Wall



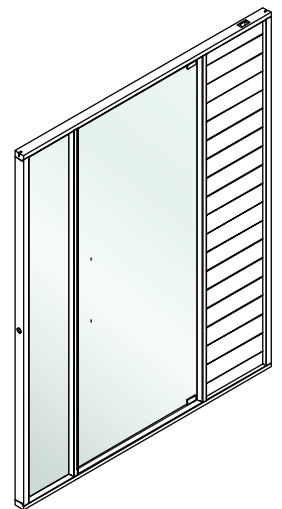
Ⓗ 1x Back Wall



Ⓖ 1x Right Wall



Ⓙ 1x Front Wall with Glass door



PRE-STEPS

- Un-pack each wall segment from the shipping material.
- Stage each wall segment in the room you will be assembling the unit.



240V, 2551 watts. Dedicated 15A circuit and 15A power socket protected by a 16A RCBO installed in the meter box.

Minimum 2.5mm cable required for circuit; 2.5m cord exists from back left of roof.*

See USER MANUAL

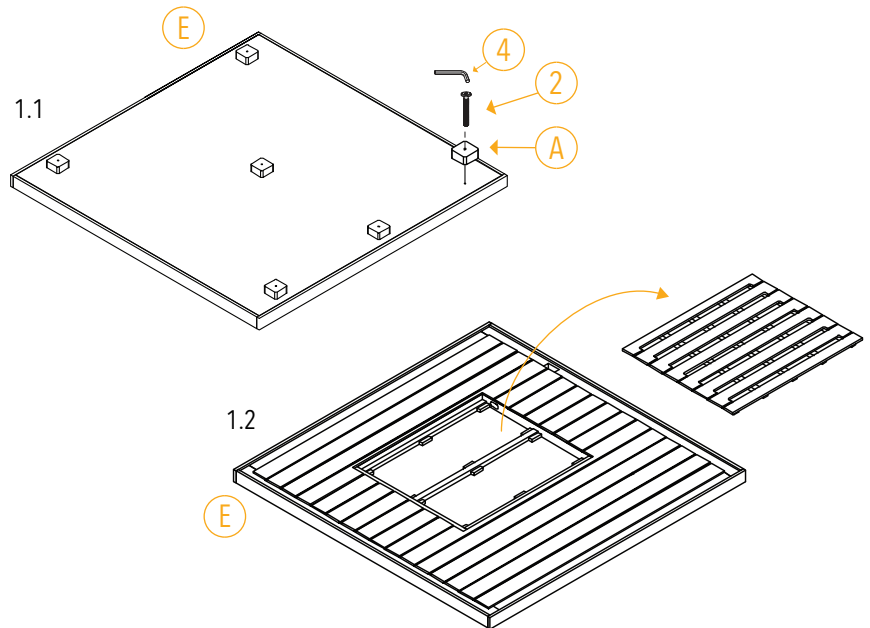
* Failure to do so will void your sauna's warranty and customer will assume liability for any electrical damages to the sauna itself or the residence/business in which the sauna is installed.

STEP 1

- Attach the feet pegs (A) with supplied Allen wrench and bolts (2) to the underside of floor (E) (see illustration 1.1).
- Cut the zip ties holding the floor grate, the fabric will adhere to the Velcro on the underside of the grate (see illustration 1.2).

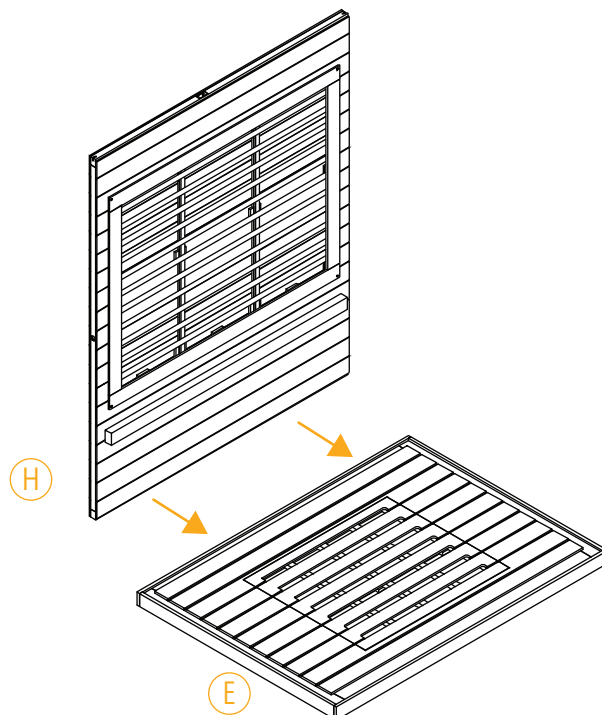
TIP: One side of the fabric adheres better

NOTE: Make sure the floor panel is on a surface that is perfectly level & relatively smooth.



STEP 2

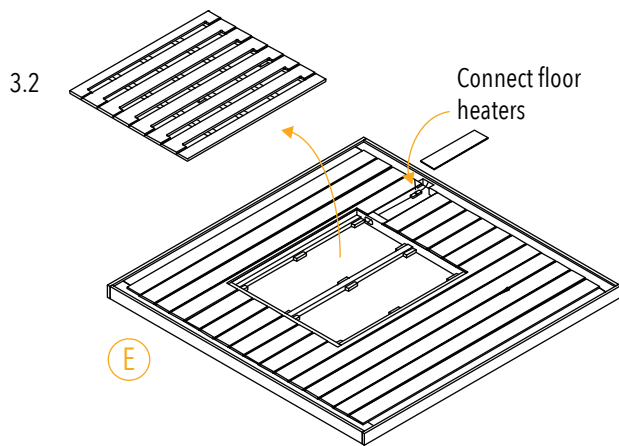
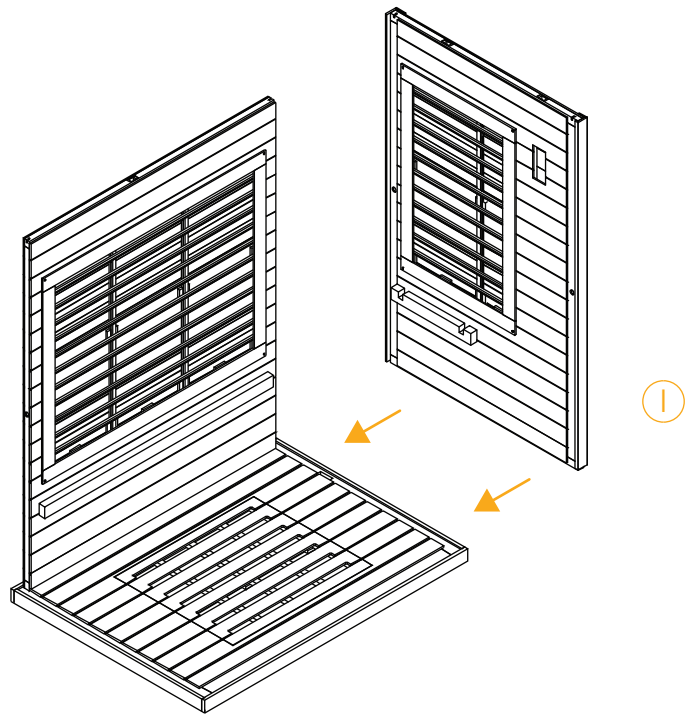
- Place the back wall (H) on the back of the floor panel (E).
- Be sure you have two people assisting with this step. This is the side with the sauna information label on the bottom edge.



STEP 3

- Place right wall ① on the right side of floor panel ⑤. This wall panel should sit flush once properly seated.
- Make sure no gaps are visible in the corner of the two walls as you insert it. It should be inserted flush.

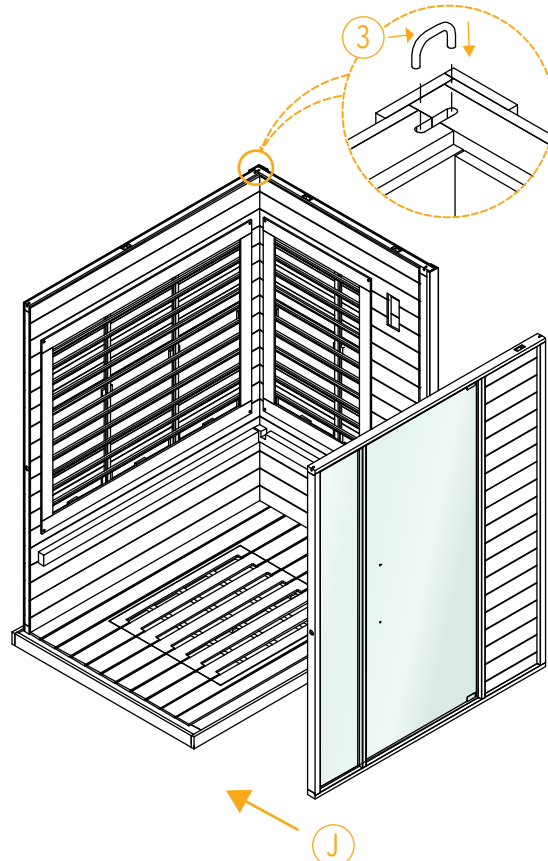
NOTE: The right wall of the sauna includes wire connections underneath which will lead into the floor panel (see illustration 3.2 below).



- If you have not yet done so, the floor heaters will need to be connected to the right wall wires. The diagram to the left shows where the connection is made.
- You will need to remove the floor grate and a small hatch covering the harness.

STEP 4

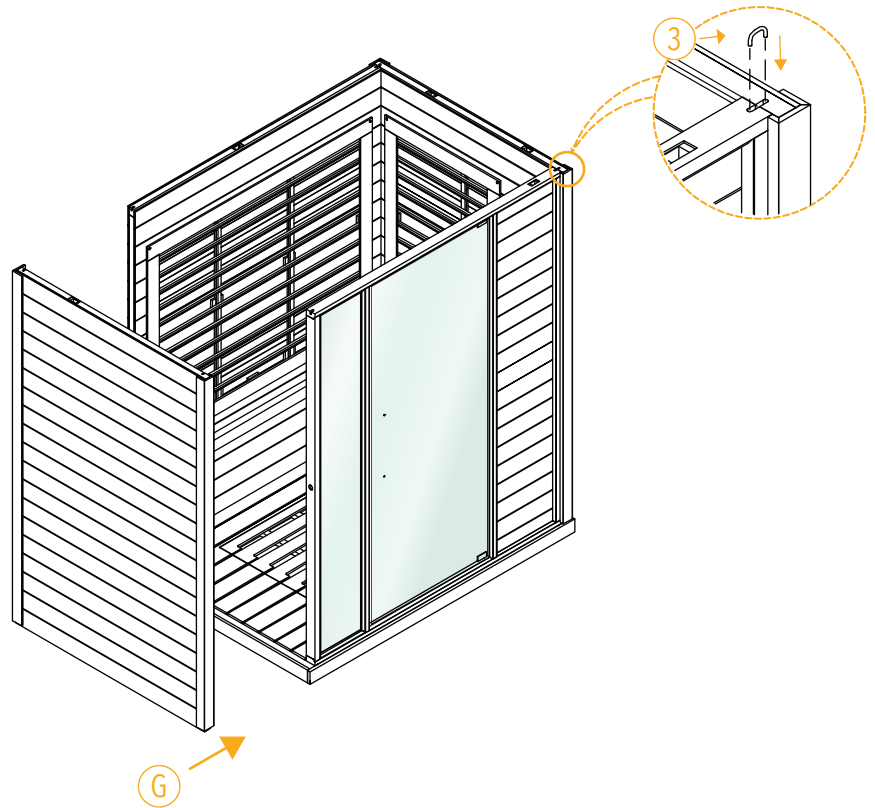
- As you insert each wall segment, you will insert the U-clips ③ in the pre-drilled holes in the corner. This will keep the walls sealed together.
- The front wall ④ will be inserted next. Be careful of the glass door & panel as you insert the wall.



STEP 5

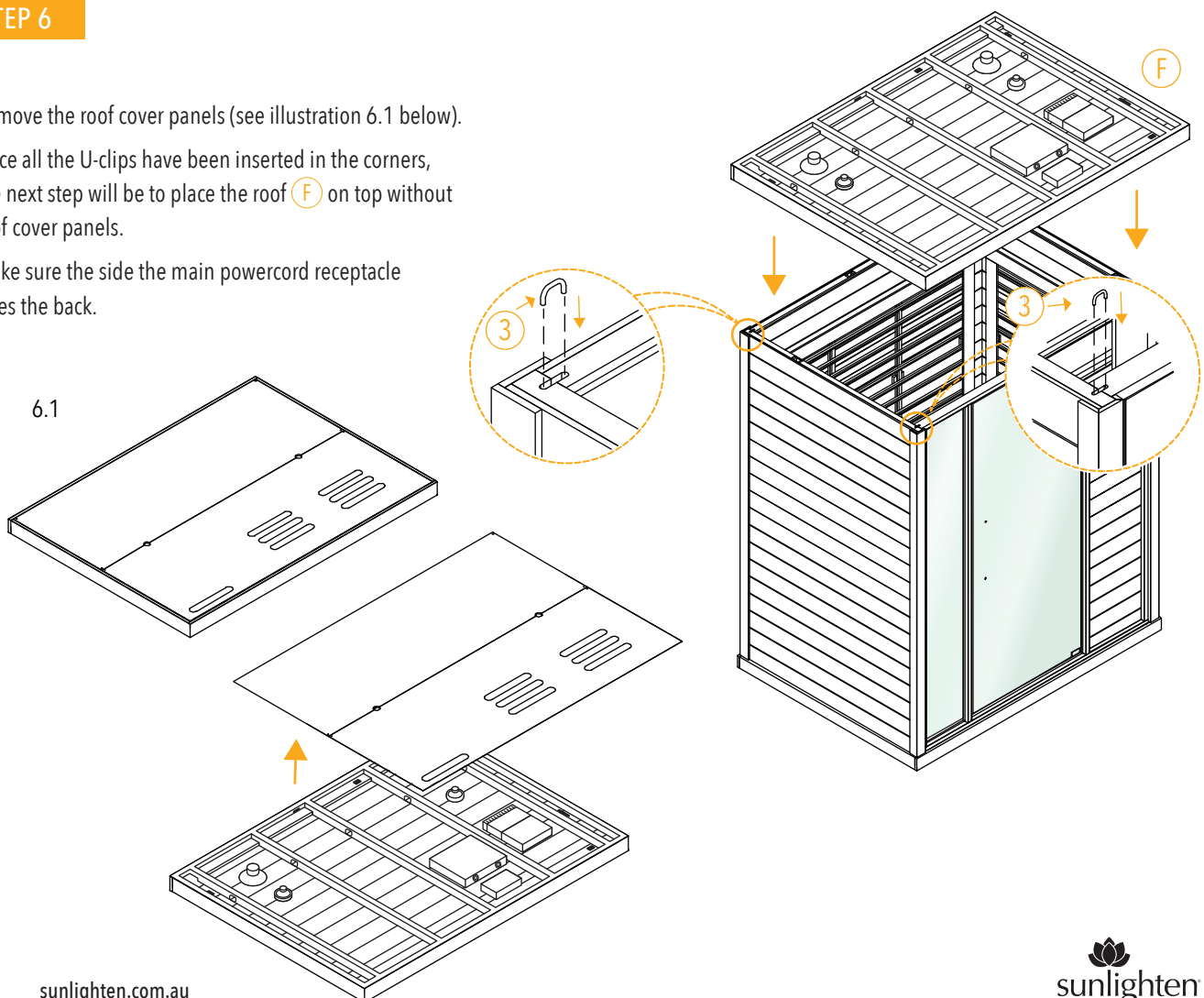
- After securing the U-clip (3), the left wall (G) will be the last to be inserted. Make sure it is flush and no gaps are showing in the corners.

NOTE: If you ever have trouble getting a U-clip to slide in, this can be resolved by tapping it with a hammer.



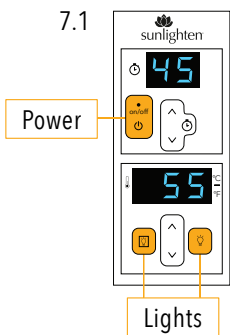
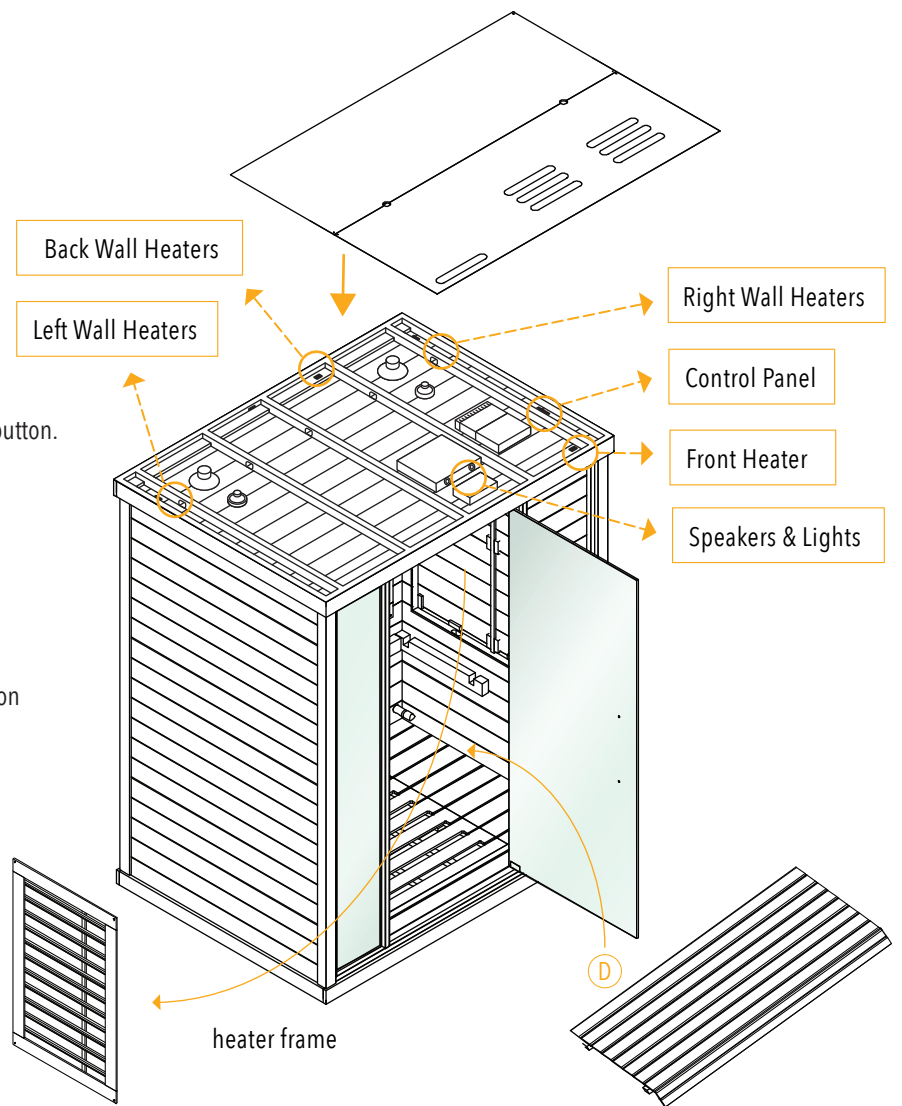
STEP 6

- Remove the roof cover panels (see illustration 6.1 below).
- Once all the U-clips have been inserted in the corners, the next step will be to place the roof (F) on top without roof cover panels.
- Make sure the side the main powercord receptacle faces the back.



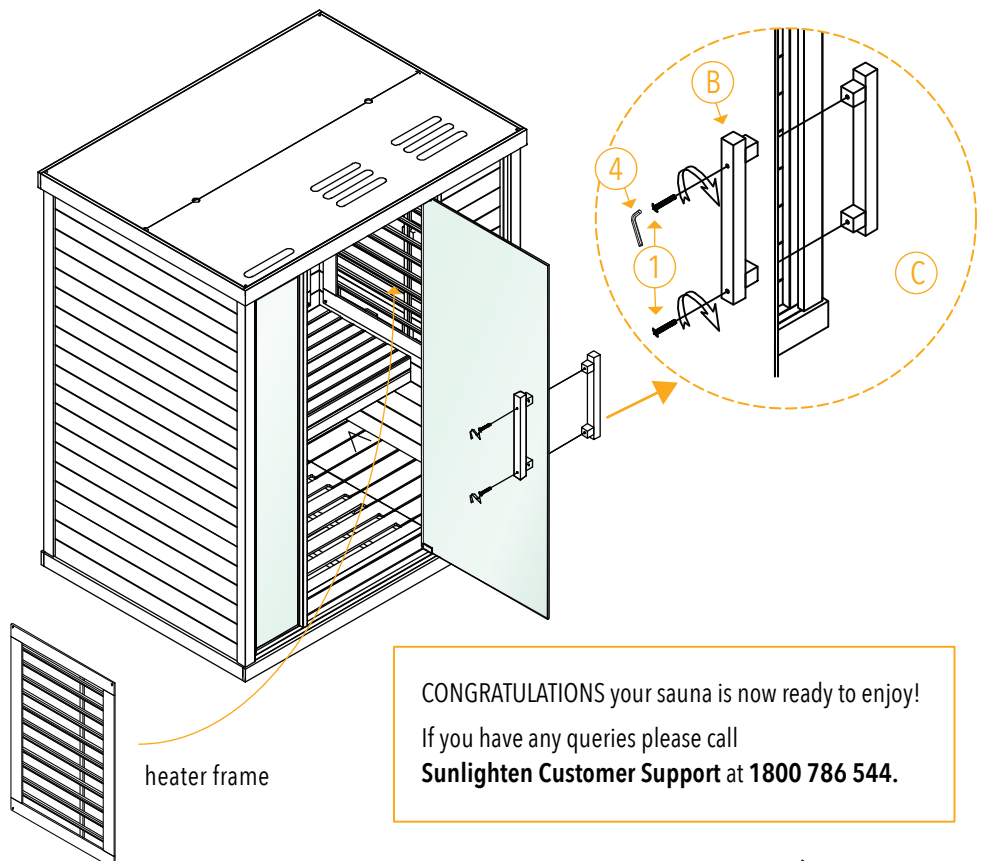
STEP 7

- Please make all connections on the roof of the sauna as illustrated
- Connect sauna to external power.
- Turn on the power to sauna (see illustration 7.1 below).
- Check all of the heaters are working by placing your hand against the heater cover to feel the heat.
- Check the radio is operating by quickly tapping the SRC button.
- Check the lights turn on using the control panel (see illustration 7.1 below).
- If all electronics are working, turn them off and turn off the power to the sauna.
- Replace the roof panels.
- In the event a heater is not working, unplug the connection and firmly plug back in. Then re-test with power on.
- If you require any support, please contact our Technical Service team.



STEP 8

- With the bench installed, the heater panel frames can be inserted back into their respectable walls.
- The door handles come with the hardware and can easily be screwed right in.
- A second person should hold the handle while the other screws the bolts in with the Allen wrench.
- The dust cover should also be replaced.



CONGRATULATIONS your sauna is now ready to enjoy!
If you have any queries please call
Sunlighten Customer Support at 1800 786 544.