



Learning Services

Managing Industrial Networks with Cisco Networking Technologies

Managing Industrial Networks with Cisco® Networking Technologies (IMINS) Version 1.0 is a hands-on lab-based course, which helps students with the foundational skills needed for the management and administration of networked industrial control systems. The IMINS course, developed in conjunction with Rockwell Automation, helps plant administrators, control system engineers and traditional network engineers understand networking technologies that are needed in today's connected plants and enterprises. This course also helps you prepare for the Cisco Industrial Networking Specialist Certification exam (exam ID 600-601) and qualify for the Cisco Industrial Networking Specialist certification.

The goal of this course is to enable you to achieve competency and skills to install, maintain, and troubleshoot industrial network systems while helping to ensure network availability, reliability, and Internet security throughout your company.

Duration

Five days

Target Audience

This course is designed for IT and operations technology (OT) professionals and control engineers who will be involved with the implementation, operation, and support of networked industrial products and solutions for the following industries:

- Manufacturing
- Process control
- Oil and gas
- Other industries as applicable

Course Objectives

After you complete this course, you should be able to:

- Describe Cisco Industrial Ethernet (IE) Switches, Cisco Connected Grid™ Switches and Routers, and Rockwell Automation® Stratix™ Switches
- Interpret designs and drawings, recognize industrial topologies, and access reference materials
- Install industrial network components
- Deploy industrial network components
- Perform basic maintenance tasks
- Troubleshoot network and control issues

“The Internet of Things (IoT) has quickly emerged as one of the most transformative technology trends today. For IoT to deliver its full value in the manufacturing space, both manufacturers and IT need well trained and competent staff to support Industrial IT—a blend of expertise from typical manufacturing and business IT networks. Training and certification are excellent ways to ensure staff are prepared for these challenges.”

Dan Miklovic, Principal Analyst,
LNS Research

Course Prerequisites

The knowledge and skills that you must have before attending this course include a college degree or non-degree qualified technician with 2-3 years experience. Also, it is recommended you take the following Cisco Electronic Learning and Training (ELT) courses to achieve a basic understanding of networking and industrial protocols:

- Networking Fundamentals for Industrial Control Systems (INICS)
- Industrial Control Systems Fundamentals for Network Engineers (ICINS)

Course Outline

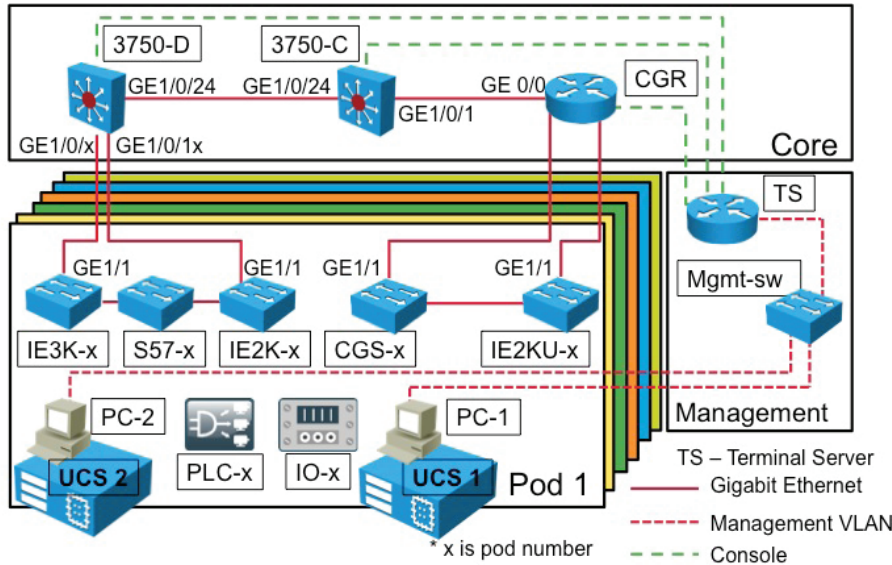
- **Module 1:** Industrial Networking Solutions and Products
- **Module 2:** Industrial Network Documentation and Deployment Considerations
- **Module 3:** Installing Industrial Network Switches, Routers, and Cabling
- **Module 4:** Deploying Industrial Ethernet Devices
- **Module 5:** Maintaining Industrial Ethernet Networks
- **Module 6:** Troubleshooting Industrial Ethernet Networks

Lab Outline

- **Lab 1:** Platform Discovery of Industrial Network Switches and Routers
- **Lab 2:** Interpreting Network and Control Designs and Drawings
- **Lab 3:** Configuring Initial Switch Parameters
- **Lab 4:** Configuring Layer 2 Switch Parameters
- **Lab 5:** Configuring IP and DHCP
- **Lab 6:** Configuring PTP
- **Lab 7:** Configuring CIP
- **Lab 8:** Configuring MODBUS TCP
- **Lab 9:** Configuring Switch Security
- **Lab 10:** Configuring SSH and HTTPS
- **Lab 11:** Maintaining Industrial Ethernet Switches
- **Lab 12:** Troubleshooting Layer 2 Network Issues
- **Lab 13:** Troubleshooting Layer 3 Network Issues
- **Lab 14:** Troubleshooting Control Issues

Figure 1 outlines the lab topology for this course.

Figure 1. Lab Topology



Cisco and Rockwell Automation

Cisco and Rockwell Automation have been working together to bridge the gap between enterprise IT and plant floor OT professionals through network and security products, Converged Plantwide Ethernet (CPwE) reference architectures, services, and solutions. The collaboration foundation uses standard IP-based network technology so that end users and equipment builders can design, implement, and maintain a secure network architecture. The Cisco Industrial Networking Specialist certification further enhances the enterprise-wide business outcomes manufacturers can experience through collaboration between Cisco and Rockwell Automation.

Registration

To Register Online

Please visit our enrollment portal for class locations, dates and to enroll online with a credit card.

- [Enroll Now \(United States\)](#)
- [Enroll Now \(Canada\)](#)

To Register by Phone

For more information about schedules and registration for this course, call 1-440-646-3434 and press option 7 to speak with an enrollment specialist or contact your local Rockwell Automation distributor by visiting the [Find a Local Distributor web page](#).

To Register by Email

For more information about schedules and registration for this course, send request to trainingservices@ra.rockwell.com

More Information

For more information about how Cisco and Rockwell Automation are working together, visit http://www.cisco.com/web/strategy/manufacturing/cisco-rockwell_automation.html.

For more information about schedules and registration for this course, visit <http://www.rockwellautomation.com/rockwellautomation/services/training/certificate.page?>

For more information about Cisco Learning Services for Cisco classic products and technologies, visit <http://www.cisco.com/go/ase>.

For more information about Rockwell Automation training courses, visit <http://www.rockwellautomation.com/rockwellautomation/services/training/certificate.page?>

Cisco is the worldwide leader in networking that transforms how people connect, communicate and collaborate. Information about Cisco can be found at www.cisco.com. For ongoing news, please go to <http://newsroom.cisco.com>. Cisco equipment in Europe is supplied by Cisco Systems International BV, a wholly owned subsidiary of Cisco Systems, Inc.

www.cisco.com

Americas Headquarters
Cisco Systems, Inc.
San Jose, CA

Asia Pacific Headquarters
Cisco Systems (USA) Pte. Ltd.
Singapore

Europe Headquarters
Cisco Systems International BV
Amsterdam, The Netherlands

Cisco has more than 200 offices worldwide. Addresses, phone numbers, and fax numbers are listed on the Cisco Website at www.cisco.com/go/offices.

CCDE, CCENT, Cisco Eos, Cisco Lumin, Cisco Nexus, Cisco StadiumVision, Cisco TelePresence, Cisco WebEx, the Cisco logo, DCE, and Welcome to the Human Network are trademarks; Changing the Way We Work, Live, Play, and Learn and Cisco Store are service marks; and Access Registrar, Aironet, AsyncOS, Bringing the Meeting To You, Catalyst, CCDA, CCDP, CCIE, CCIP, CCNA, CCNP, CCSP, CCVP, Cisco, the Cisco Certified Internetwork Expert logo, Cisco IOS, Cisco Press, Cisco Systems, Cisco Systems Capital, the Cisco Systems logo, Cisco Unity, Collaboration Without Limitation, EtherFast, EtherSwitch, Event Center, Fast Step, Follow Me Browsing, FormShare, GigaDrive, HomeLink, Internet Quotient, IOS, iPhone, iQuick Study, IronPort, the IronPort logo, LightStream, Linksys, MediaTone, MeetingPlace, MeetingPlace Chime Sound, MGX, Networkers, Networking Academy, Network Registrar, PCNow, PIX, PowerPanels, ProConnect, ScriptShare, SenderBase, SMARTnet, Spectrum Expert, StackWise, The Fastest Way to Increase Your Internet Quotient, TransPath, WebEx, and the WebEx logo are registered trademarks of Cisco Systems, Inc. and/or its affiliates in the United States and certain other countries.

All other trademarks mentioned in this document or website are the property of their respective owners. The use of the word partner does not imply a partnership relationship between Cisco and any other company. (0809R)

Rockwell Automation is a leading provider of power, control and information solutions that enable customers to get products to market faster, reduce their total cost of ownership, better utilize plant assets, and minimize risks in their manufacturing environments.

www.rockwellautomation.com

Americas:
Rockwell Automation
1201 South Second Street
Milwaukee, WI 53204-2496 USA
Tel: (1) 414.382.2000, Fax: (1) 414.382.4444

Asia Pacific:
Rockwell Automation
Level 14, Core F, Cyberport 3
100 Cyberport Road, Hong Kong
Tel: (852) 2887 4788, Fax: (852) 2508 1846

Europe/Middle East/Africa:
Rockwell Automation
NV, Pegasus Park, De Kleetlaan 12a
1831 Diegem, Belgium
Tel: (32) 2 663 0600, Fax: (32) 2 663 0640