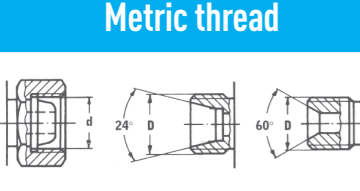


CUTTING RING COUPLINGS AND ACCESSORIES



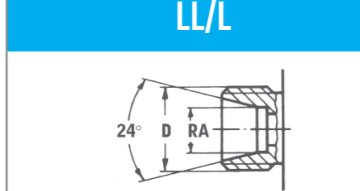
STEP 1: Download the Kramp App
STEP 2: Scan the QR code with the Kramp App
STEP 3: Select the desired product

Metric thread



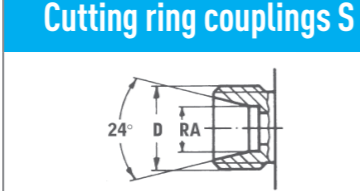
Thread	Inner diameter d (mm)	Outside diameter D (mm)
M8 x 1	6,9	8,0
M10 x 1	8,9	10,0
M12 x 1	10,9	12,0
M14 x 1,5	10,5	12,0
M14 x 1,5	12,5	14,0
M16 x 1,5	14,5	16,0
M18 x 1,5	16,5	18,0
M20 x 1,5	18,5	20,0
M22 x 1,5	20,5	22,0
M24 x 1,5	22,5	24,0
M26 x 1,5	24,5	26,0
M30 x 2,0	27,9	30,0
M36 x 2,0	33,9	36,0
M42 x 2,0	39,9	42,0
M45 x 2,0	42,9	45,0
M52 x 2,0	49,9	52,0

LL/L



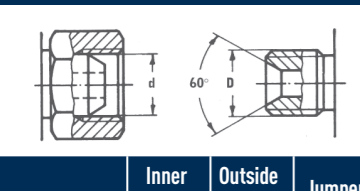
D	Serie	RA (mm)	SW (mm)
M6 x 1	4LL	4	10
M10 x 1	6LL	6	12
M12 x 1	8LL	8	14
M14 x 1	10LL	10	17
M16 x 1	12LL	12	19
M18 x 1,5	6L	6	14
M14 x 1,5	8L	8	17
M16 x 1,5	10L	10	19
M18 x 1,5	12L	12	22
M22 x 1,5	15L	15	27
M26 x 1,5	18L	18	32
M27 x 2	TGL	18	32
M30 x 2,0	22L	22	36
M36 x 2,0	28L	28	41
M45 x 2,0	35L	35	50
M52 x 2,0	42L	42	60

Cutting ring couplings S



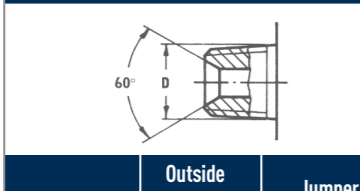
D	Serie	RA (mm)	SW (mm)
M14 x 1,5	6S	6	17
M16 x 1,5	8S	8	19
M18 x 1,5	10S	10	22
M20 x 1,5	12S	12	24
M22 x 1,5	14S	14	27
M24 x 1,5	16S	16	30
M30 x 2,0	20S	20	36
M36 x 2,0	25S	25	46
M42 x 2,0	30S	30	50
M52 x 2,0	38S	38	60

BSP thread



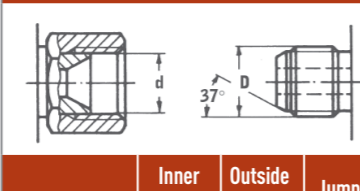
Thread	Inner diameter d (mm)	Outside diameter D (mm)	Jumper thread
1/8"	8,6	9,7	28
1/4"	11,5	13,2	19
3/8"	15,0	16,7	19
1/2"	18,6	21,0	14
5/8"	20,6	22,9	14
3/4"	24,1	26,4	14
1"	30,3	33,3	11
1 1/4"	39,0	41,9	11
1 1/2"	44,9	47,8	11
2"	56,4	59,5	11
2 1/2"	72,7	75,2	11
3"	84,9	87,9	11

NPT draad



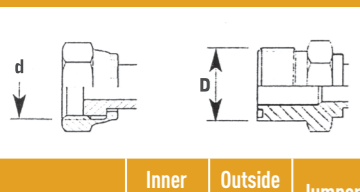
Thread	Outside diameter D (mm)	Jumper thread
1/8"	10,3	27
1/4"	13,7	18
3/8"	17,2	18
1/2"	21,3	14
3/4"	26,7	14
1"	33,4	11
1 1/4"	42,2	11
1 1/2"	48,3	11
2"	60,3	11
2 1/2"	73,0	8
3"	88,9	8

UNF thread (JIC)



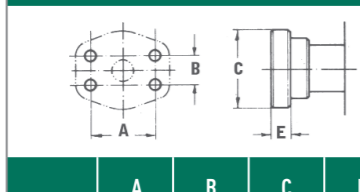
Thread	Inner diameter d (mm)	Outside diameter D (mm)	Jumper thread
5/16"	6,9	7,8	24
3/8"	8,5	9,4	24
7/16"	9,9	11,2	20
1/2"	11,5	12,6	20
9/16"	12,9	14,1	18
5/8"	14,5	15,7	18
3/4"	17,5	18,9	16
7/8"	20,5	22,1	14
1 1/16"	24,9	26,9	12
1 3/16"	28,1	30,0	12
1 5/16"	31,3	33,1	12
1 7/8"	39,2	41,1	12
1 7/8"	45,6	47,4	12
2 1/2"	61,4	63,3	12

UNF draad (ORFS)



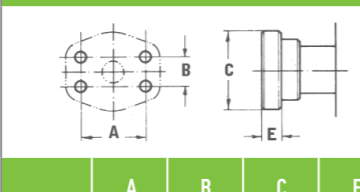
Thread	Inner diameter d (mm)	Outside diameter D (mm)	Jumper thread
9/16"	12,9	14,1	18
1 1/16"	15,9	17,3	16
1 3/16"	19,1	20,5	16
1"	23,6	25,2	14
1 3/16"	28,1	30,0	12
1 7/16"	34,4	36,3	12
1 11/16"	40,8	42,7	12
2"	48,7	50,6	12

SAE 3000 PSI flange



Flange	A (mm)	B (mm)	C (mm)	E (mm)
1/2"	38,1	17,5	30,2	6,7
3/4"	47,6	22,2	38,1	6,7
1"	52,4	26,2	44,5	8,0
1 1/4"	58,7	30,2	50,8	8,0
1 1/2"	69,9	35,7	60,3	8,0
2"	77,8	42,9	71,4	9,5
2 1/2"	88,9	50,8	84,1	9,5
3"	106,4	61,9	101,6	9,5
3 1/2"	120,7	69,9	114,3	11,2
4"	130,2	77,8	127,0	11,2
5"	152,4	92,1	152,4	11,2

SAE 6000 PSI flange



Flange	A (mm)	B (mm)	C (mm)	E (mm)
1/2"	40,5	18,2	31,8	7,8
3/4"	50,8	23,8	41,3	8,8
1"	57,2	27,8	47,6	9,5
1 1/4"	66,7	31,8	54,0	10,3
1 1/2"	79,4	36,5	63,5	12,6
2"	96,8	44,5	79,4	12,6

CAT flange

Flange	A (mm)	B (mm)	C (mm)	E (mm)
3/4"	50,8	23,8	41,3	14,2
1"	57,2	27,8	47,6	14,2
1 1/4"	66,7	31,8	54,0	14,2
1 1/2"	79,4	36,5	63,5	14,2
2"	96,8	44,5	79,4	14,2









Cutting ring couplings

 Type GV Straight coupling Standard; Stainless steel; support	 Type GVO Connection coupling Standard; 90°; curved	 Type GVO Connection coupling short L series; S series; L series short; Straight Female Swivel	 Type SNV Connection coupling Standard	 Type KOVO Right angle screw connection Standard; Stainless steel; support	 Type REDV Angle adjustable coupling Standard; Stainless steel; support	 Type GEV-R Angle adjustable coupling Standard	 Type GEV-M T-coupling Standard; Stainless steel; support
--	--	---	---	---	--	---	--








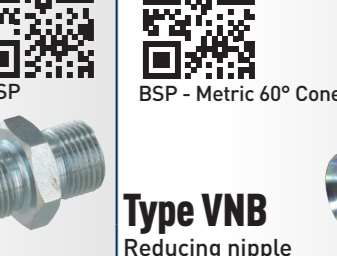
Cutting ring couplings

 Type GEV-UNF Adjustable T-coupling Standard; Stainless steel; support	 Type GEV-NPT Adjustable L-coupling Standard; Stainless steel; support	 Type GSV Straight bulkhead coupling Standard; Stainless steel; support	 Type GESV Right angle bulkhead coupling Standard; Stainless steel; support	 Type EGES(D) Straight bulkhead coupling Standard	 Type GAV Straight coupling metric Standard; Stainless steel; soft seal	 Type WV Straight coupling Standard; Stainless steel; soft seal	 Type EVSD Straight coupling UNF Standard; support
---	---	--	--	--	--	--	---









Cutting ring couplings

 Type EWVD Straight coupling NPT Standard; Stainless steel	 Type WSV Straight coupling Metric, BSP, NPT; Stainless steel BSP	 Type WEV-R Straight screw connection Standard; Stainless steel	 Type WEV-M Right angle screw coupling metric Standard; Stainless steel; support	 Type WEV-NPT Angled screw coupling BSP Standard; Stainless steel; support	 Type EWSC-R Right angle screw coupling NPT Standard; Stainless steel	 Type RSWV-R Right angle swivel coupling metric Standard; Stainless steel; soft seal	 Type RSWV-M Angled swivel coupling BSP Standard; Stainless steel; soft seal
---	--	--	---	---	--	---	---




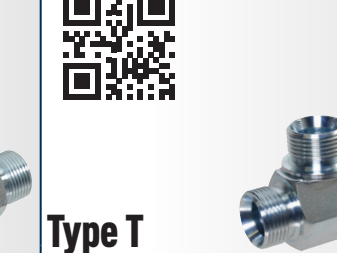
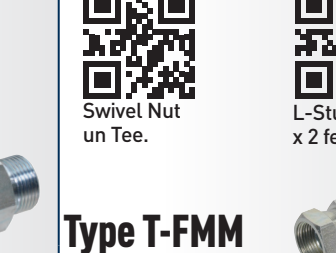


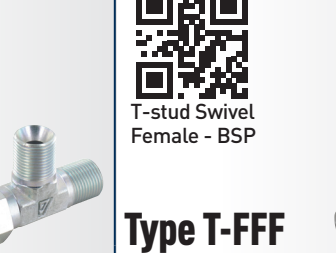
Cutting ring couplings

 Type DGWEV Angle adjustable coupling Standard	 Type TV Right angle screw connection Standard; Stainless steel	 Type ETVD T-coupling Standard; Stainless steel	 Type ELVD L-screw coupling Standard; Stainless steel	 Type TEV Reduce clutch Standard; support	 Type LEV Connection coupling L series; S series;	 Type DN Double nipple	 Type VNB Reducing nipple
---	--	--	--	--	--	--	---


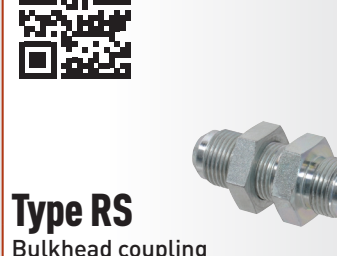




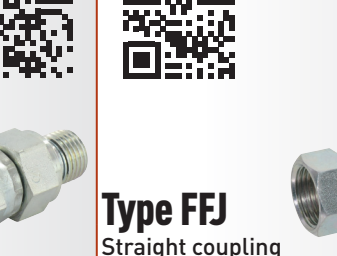

BSP adapters

 Type VNBS Bulkhead coupling	 Type REDR Gradient ring	 Type VRB Gradient ring Metric, BSP	 Type VNBS Reducing nipple 2 sides swivel	 Type FFB Reducing nipple 1 side screw-in coupling	 Type MMI Adjustable knee	 Type MMI Bend adjustable BSP outside / outside	 Type MM Knee coupling outside / outside
--	--	--	--	---	---	--	---






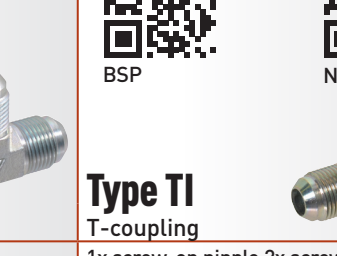


BSP adapters

 Type MF Knee coupling outside / inside	 Type MF Knee 45° inside / outside	 Type T-MFM T-coupling	 Type T Female thread T-coupling	 Type T-FMM Adjustable T-coupling	 Type T-MMMI Adjustable T-coupling	 Type T-MIMM L coupling adjustable	 Type T-FFF L coupling adjustable
--	---	--	--	---	--	--	---

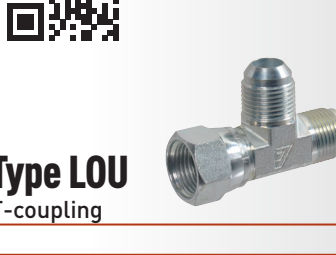


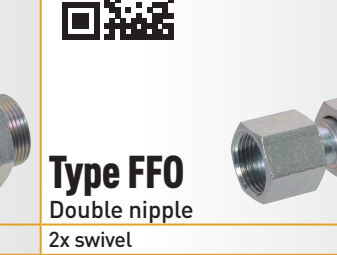


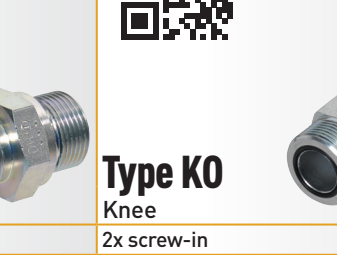

JIC Male / Male Adaptor

 Type R Double nipple	 Type RS Bulkhead coupling	 Type RI Reducing nipple inside / JIC	 Type RI-WD Reducing nipple	 Type VNJW Reducing nipple 2x screw-in coupling	 Type FMU Reducing nipple 2x screw-in coupling	 Type FFJ Straight coupling Swivel / screw-in	 Type K / KS Knee coupling
---	--	--	---	--	---	--	--


JIC Male / Male Adaptor

 Type KI-45 Knee coupling 1x gland 1x screw-in	 Type KI Knee 45° 1x screw-on nipple 1x screw-in	 Type KOU-45 Knee coupling 2x screw-in coupling	 Type KOU Elbow coupling 45° 2x screw-in coupling	 Type T T-screw coupling	 Type TI T-coupling 1x screw-on nipple 2x screw in	 Type LI L coupling 1x screw-on nipple 2x screw in	 Type TOU T-coupling
---	---	--	--	--	---	---	--

JIC Male / Male Adaptor

 Type LOU T-coupling	 Type DNO Double nipple	 Type RSO Bulkhead coupling	 Type FFO Double nipple 2x swivel	 Type VNO-W Reducing nipple	 Type FMOB Reducing nipple 1x swivel, 1x screw-in	 Type KO Knee 2x screw-in	 Type KOO Knee 1x screw-on nipple, 1x screw-in
--	---	---	--	---	--	--	---

ORFS adapters

 Type KIO Knee coupling 2x screw-in	 Type T-ORFS T-coupling 1x screw-on, 2x screw-in	 Type L-ORFS L coupling 1x screw-on, 2x screw-in
--	---	---

Use the colour legend and find the products in your rack

Quick release connectors	SAE 3000 PSI Flanch + insert
BSP (PFK, PNV, PFV, PNT, PQB)	SAE 6000 PSI Flanch + insert
HD water couplings	UNF/JIC
Metric L/S series (PQM, PRF, PGK, PT, PU,DKL)	Converters
NPT	PSVB
ORFS	