



Specifications

| Frq. (GHz)                   | 18-26.5<br>K (42) | 22-33<br>(34) | 26.5-40<br>Ka (28) | 33-50<br>Q (22) | 40-60<br>U (19) | 50-75<br>V (15) | 60-90<br>E (12) | 75-110<br>W (10) | 90-140<br>F (8) | 110-170<br>D (6) | 140-220<br>G (5) |
|------------------------------|-------------------|---------------|--------------------|-----------------|-----------------|-----------------|-----------------|------------------|-----------------|------------------|------------------|
| Attn. Range                  | 0-50              |               |                    |                 |                 |                 |                 |                  |                 |                  |                  |
| Insertion loss (typ)         | .40               | .3            | .3                 | .40             | .40             | .50             | .8              | 1                | 1.6             | 2.5              | 3.5              |
| VSWR @ min attenuation       | 1.20              | 1.15          | 1.15               | 1.13            | 1.13            | 1.13            | 1.17            | 1.17             | 1.22            | 1.22             | 1.29             |
| VSWR @ max attenuation       | 1.20              | 1.15          | 1.13               | 1.13            | 1.13            | 1.13            | 1.15            | 1.15             | 1.22            | 1.22             | 1.29             |
| Max safe power handling (mW) | 1000              | 1000          | 1000               | 750             | 750             | 500             | 500             | 500              | 300             | 300              | 300              |
| Attn. Range                  | 0-50              |               |                    |                 |                 |                 |                 |                  |                 |                  |                  |

QuinStar Technology, Inc. QuinStar Technology, Inc.



**Mechanical Specifications**

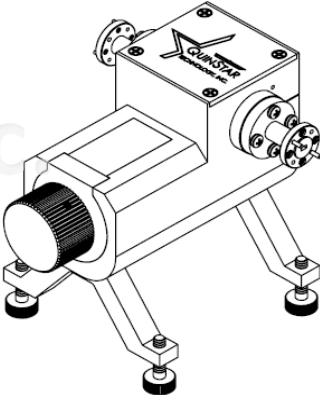
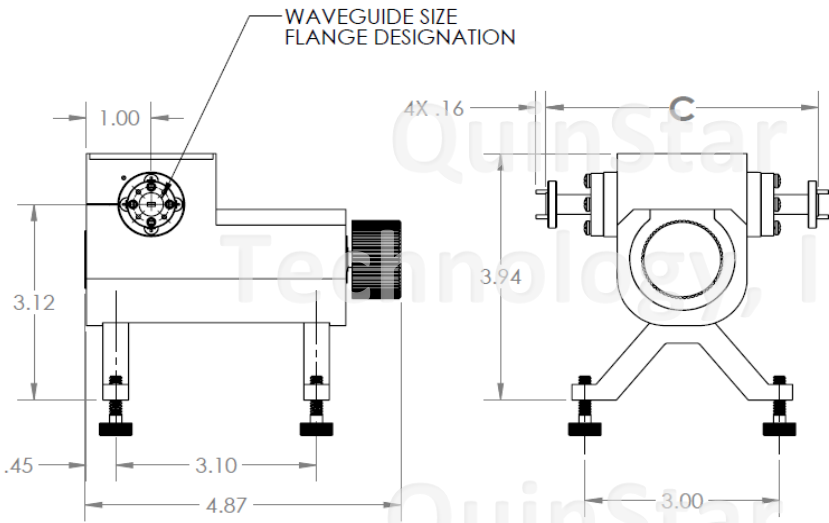
| SERIES QAD DIRECT READING ATTENUATOR |                |             |                               |
|--------------------------------------|----------------|-------------|-------------------------------|
| FREQUENCY BAND                       | WAVEGUIDE SIZE | Flange Type | OUTLINE DIMENSIONS, inches/mm |
|                                      |                |             | C                             |
| K                                    | WR-42          | UG-595/U    | 8.48/215.4                    |
| Ka                                   | WR-28          | UG-599/U    | 6.87/174.5                    |
| Q                                    | WR-22          | UG-383/U-M  | 6.24/158.4                    |
| U                                    | WR-19          | UG-383/U-M  | 6.0/152.4                     |
| V                                    | WR-15          | UG-387/U-M  | 4.4/111.8                     |
| E                                    | WR-12          | UG-387/U-M  | 4.2/106.7                     |
| W                                    | WR-10          | UG-387/U-M  | 4.0/101.6                     |
| F                                    | WR-8           | UG-387/U-M  | 3.78/96                       |
| D                                    | WR-6           | UG-387/U-M  | 3.78/96                       |

QuinStar  
Technology, Inc.

QuinStar  
Technology, Inc.

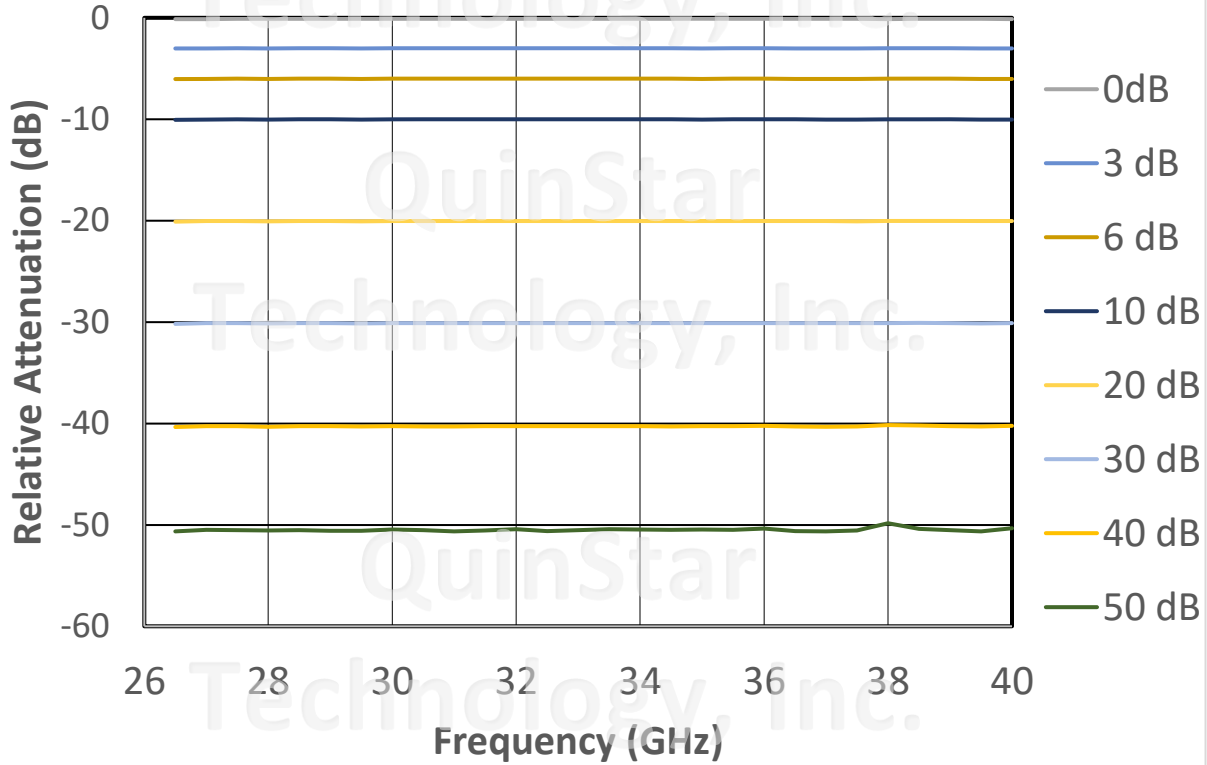


Outline Drawings



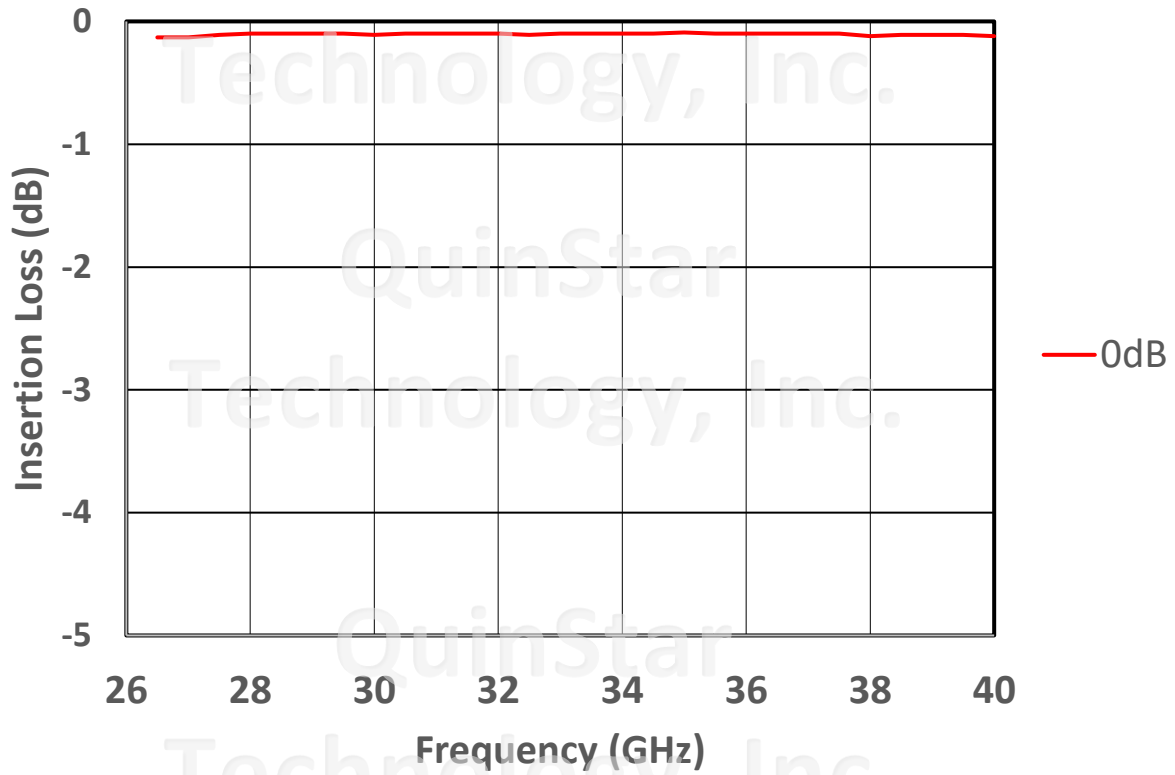
# Plots

QAD Ka-Band  
Direct Reading Attenuator  
Relative Attenuation



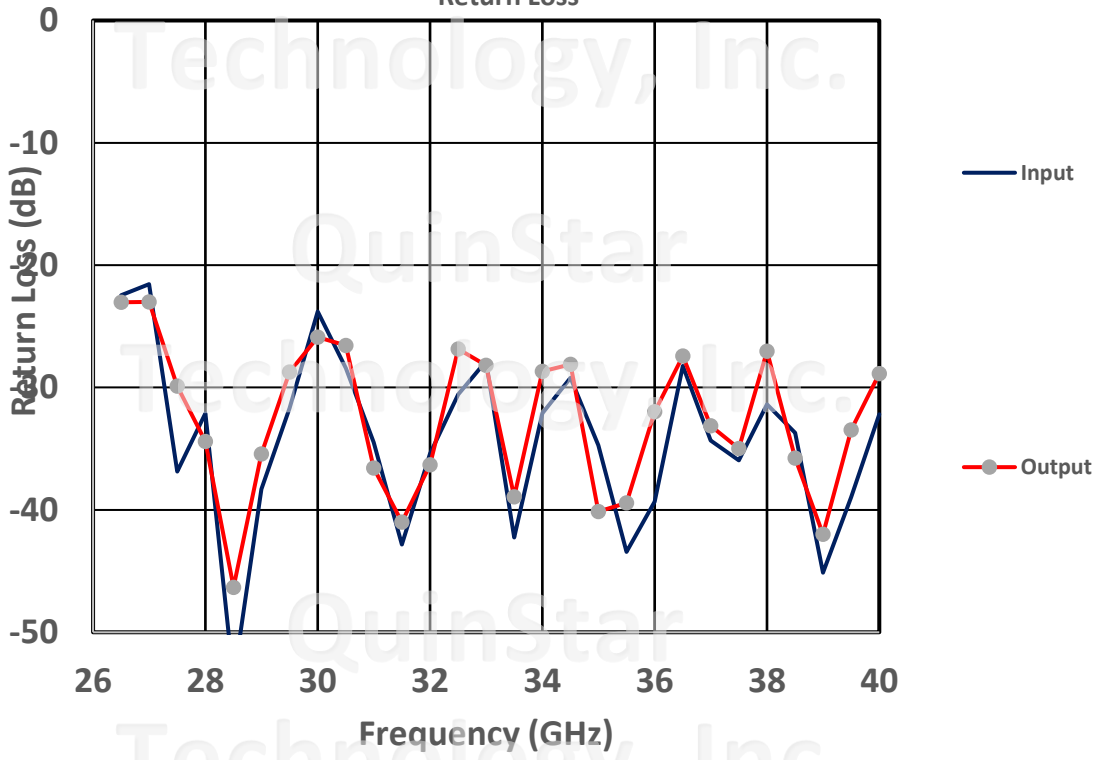
QuinStar  
Technology, Inc.

QuinStar  
Technology, Inc.  
QAD Ka-Band  
Direct Reading Attenuator  
Insertion Loss

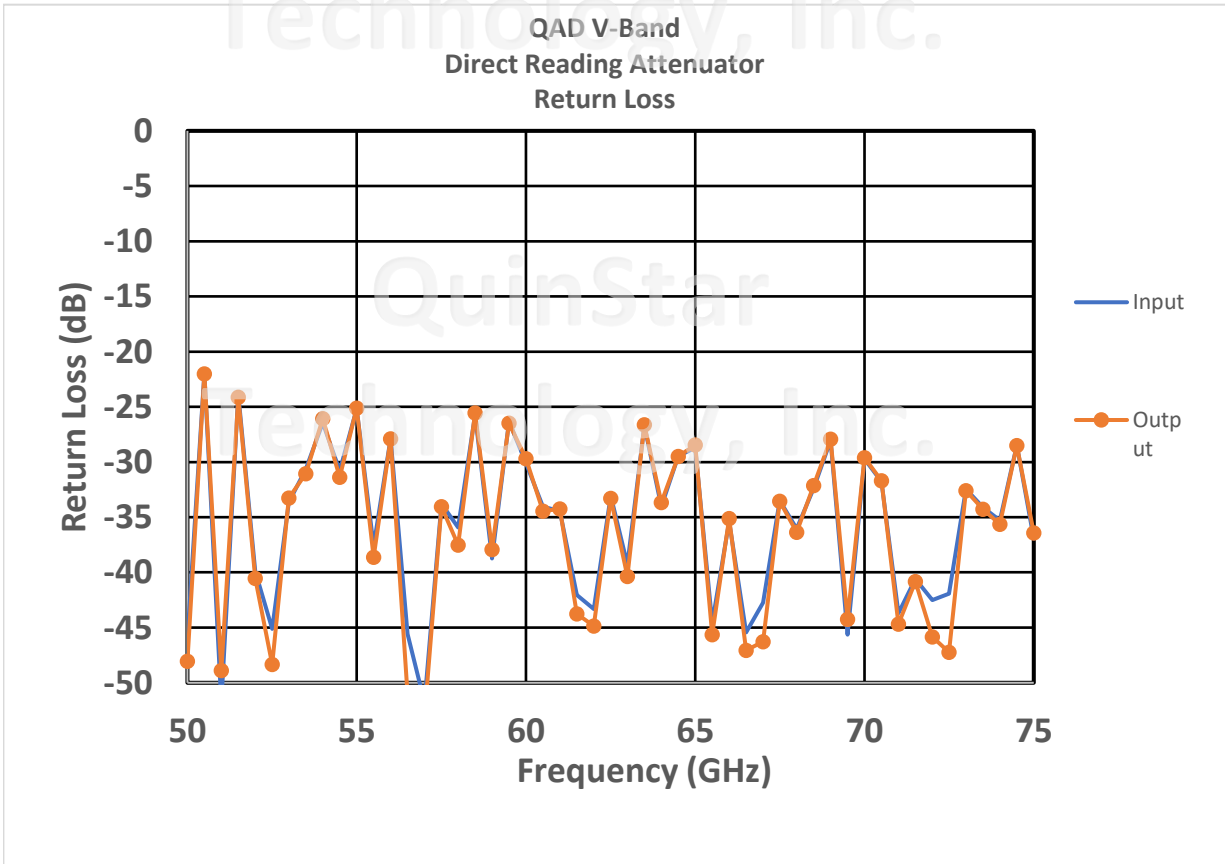
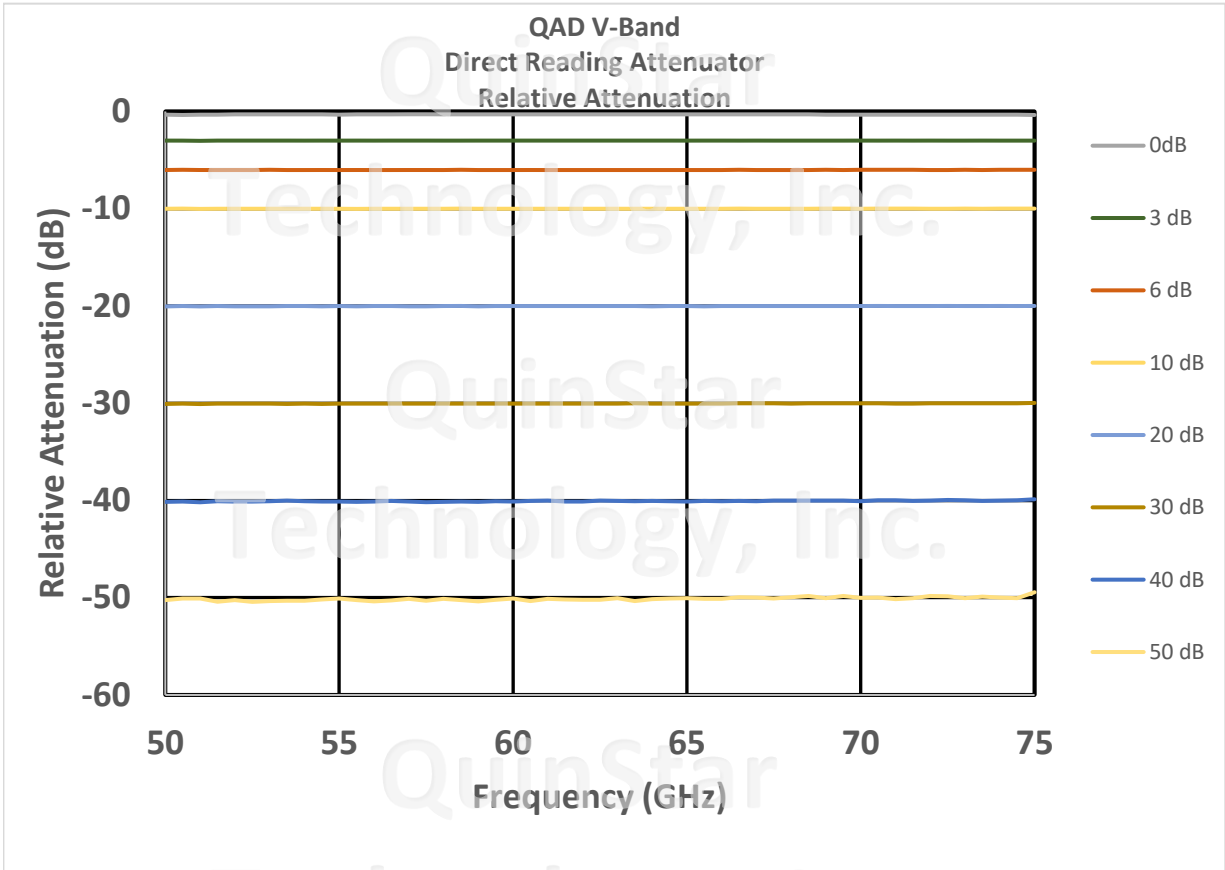


QuinStar  
Technology, Inc.

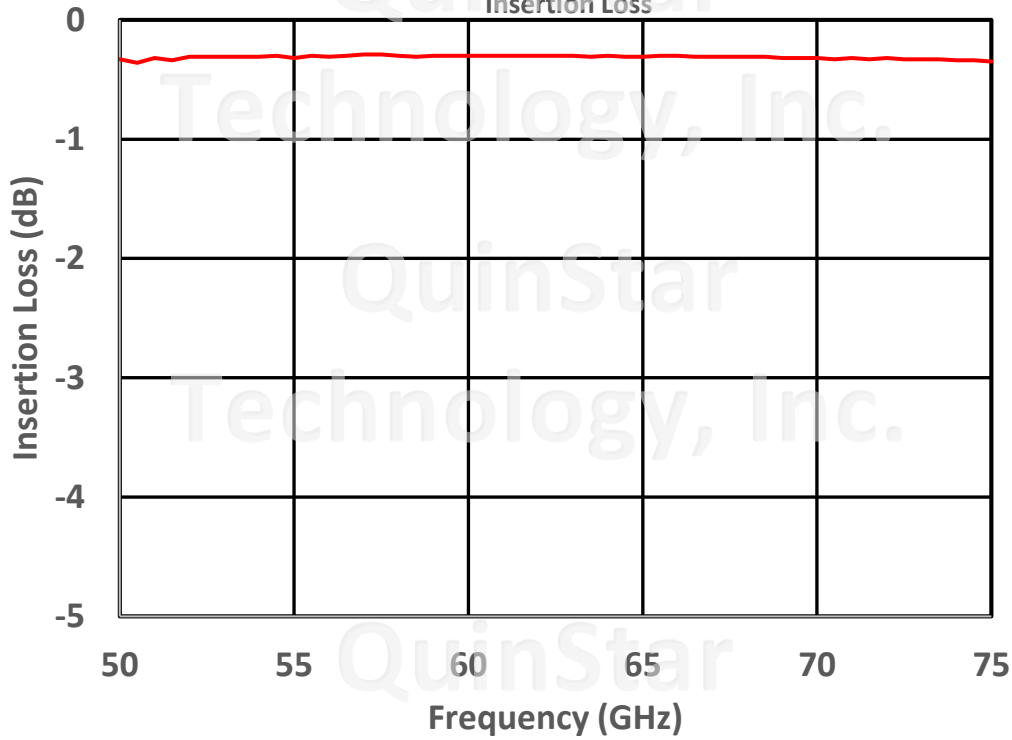
QuinStar  
Technology, Inc.  
QAD Ka-Band  
Direct Reading Attenuator  
Return Loss



QuinStar  
Technology, Inc.



QAD V-Band  
Direct Reading Attenuator  
Insertion Loss



QuinStar  
Technology, Inc.