



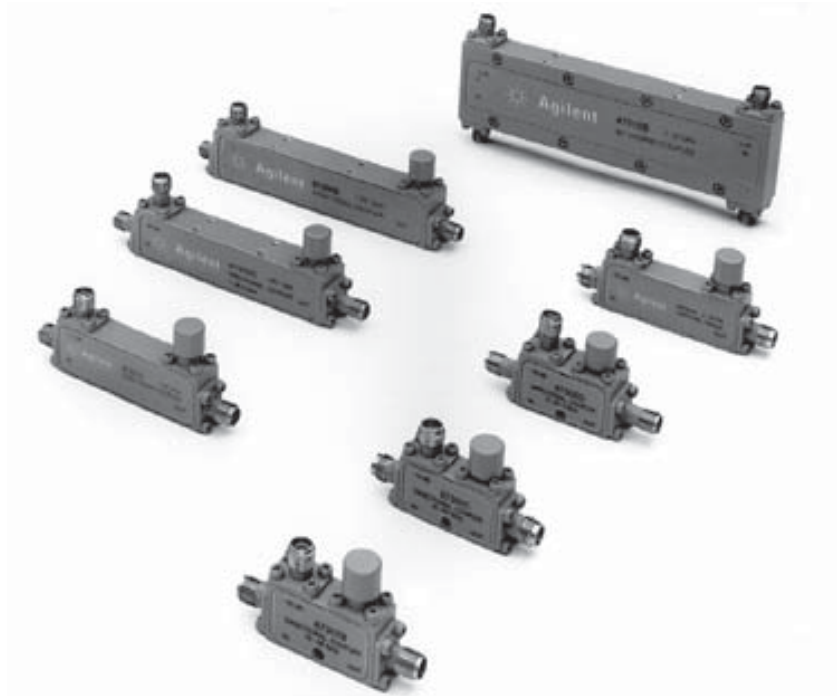
Agilent 87300B,C,D and 87301B,C,D,E Directional Couplers 87310B Hybrid Coupler

Product Overview

Features and Description

- Compact size
- Broadband up to 50 GHz
- Excellent performance

The Agilent Technologies 87300 series of compact, broadband directional/sampling and hybrid couplers are well suited for signal monitoring or, when combined with a coaxial detector, signal leveling. See page 2 for the wide range of product offerings.



Product Applications

These compact, broadband directional couplers are important components for many microwave measurement systems. Although most modern signal generators and sweepers supply signals whose power levels are stable with respect to frequency, variations in signal level are introduced due to the cable losses (which increase with frequency) and the frequency response of other components in the signal path. Inserting a directional coupler into the system with a suitable microwave detector to supply feedback to the ALC circuit of a signal generator or sweeper provides a leveled signal at a particular point in the system (Figure 1).

Agilent 8474B,C,E detectors offer excellent broad-band frequency response and low SWR for this application. Other applications include power monitoring with an 848X series power sensor connected to the sampling port. Connect the sampled signal port to a microwave counter to monitor frequency or to a signal analyzer for frequency spectrum monitoring (Figure 2).

(See Figures 1 and 2 on page 4.)

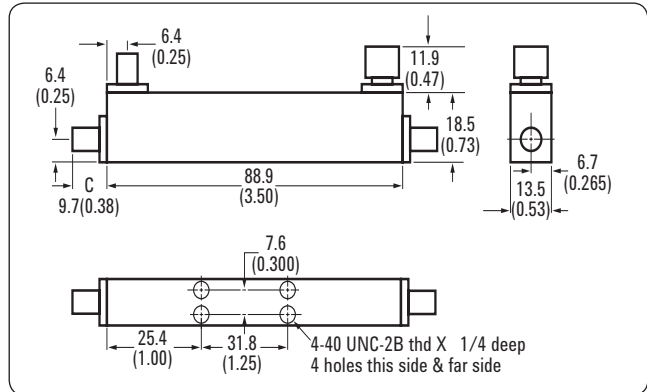


Specifications

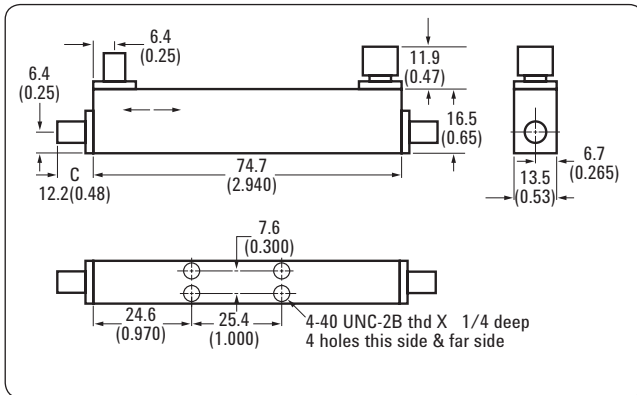
| Model | 87300B | 87300C | 87300D |
|--|-----------------------|---|---------------|
| Frequency range (GHz) | 1 to 20 GHz | 1 to 26.5 GHz | 6 to 26.5 GHz |
| Nominal coupling and variation with respect to output (or coupling factor over insertion loss) | 10 ±0.5 dB | 10 ±1 dB | 10 ±0.5 dB |
| Frequency sensitivity | ±0.35 dB, 1 to 20 GHz | ±0.5 dB, 1 to 26.5 GHz | ±0.3 dB |
| Directivity | >16 dB | >14 dB, 1 to 12.4 GHz >12 dB, 12.4 to 26.5 GHz | >13 dB |
| Maximum SWR | 1.35 | 1.35, 1 to 12.4 GHz 1.50, 12.4 to 26.5 GHz | 1.40 |
| Insertion loss | <1.5 dB | <1.2 dB, 1 to 12.4 GHz <1.7 dB, 12.4 to 26.5 GHz | < 1.3 dB |
| Typical insertion loss (dB, f = freq. in GHz) | 0.6+0.04f | 0.6+0.04f | .6 + 0.025f |
| Power rating Average Peak | 20 W 3 kW | 20 W 3 kW | 20 W 3 kW |
| Connectors | SMA (f) | 3.5 mm (f) | 3.5 mm (f) |
| Weight in grams (oz) | 74 (2.6) | 60 (2.1) | 31.2 (1.1) |

| Model | 87301B | 87301C | 87301D | 87301E |
|--|--------------|--------------|---|---|
| Frequency range (GHz) | 10 to 46 GHz | 10 to 50 GHz | 1 to 40 GHz | 2 to 50 GHz |
| Nominal coupling and variation with respect to output (or coupling factor over insertion loss) | 10 ±0.7 dB | 10 ±0.7 dB | 13 ±1 dB | 10 ±1 dB |
| Frequency sensitivity | ±0.3 dB | ±0.5 dB | ±1.2 dB, 1 to 40 GHz | ±0.6 dB, 2 to 26.5 GHz ±0.8 dB, 2 to 50 GHz |
| Directivity | >10 dB | >10 dB | >14 dB, 1 to 20 GHz >10 dB, 20 to 40 GHz | >13 dB, 2 to 26.5 GHz >10 dB, 26.5 to 50 GHz |
| Maximum SWR | 1.80 | 1.80 | 1.5, 1 to 20 GHz 1.7, 20 to 40 GHz | 1.5, 2 to 26.5 GHz 1.8, 26.5 to 50 GHz |
| Insertion loss | <1.9 dB | <1.9 dB | <1.2 dB, 1 to 20 GHz <1.9 dB, 20 to 40 GHz | <2 dB |
| Typical insertion loss | .8+0.022f | .8+0.022f | 0.4 + 0.035f | 0.55 + 0.025f |
| Power rating Average Peak | 20 W 3 kW | 20 W 3 kW | 20 W 3 kW | 20 W 3 kW |
| Connectors | 2.92 mm (f) | 2.4 mm (f) | 2.4 mm (f) or 2.92 mm (f) for Option 292 | 2.4 mm (f) |
| Weight in grams (oz) | 28.4 (1) | 28.4 (1) | 37 (1.3) | 34 (1.2) |

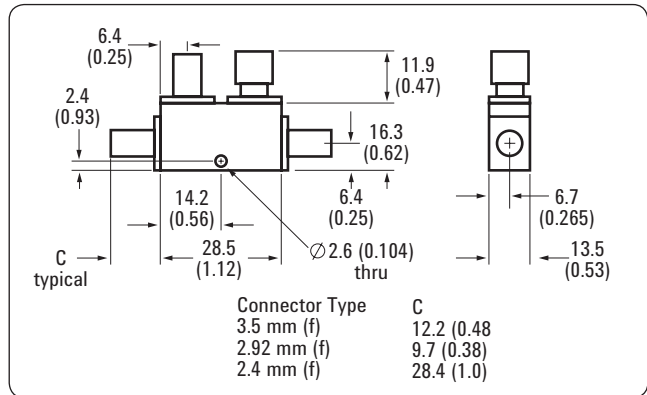
| Agilent 87310B Specifications | |
|-------------------------------|---|
| Frequency range | 1 to 18 GHz |
| Coupling | 3 dB |
| Amplitude imbalance | ± 0.5 dB at each port, centered at -3 dB |
| Phase imbalance | ± 10 Degrees |
| Isolation | >17 dB |
| Maximum SWR | 1.35 |
| Insertion loss | <2 dB |
| Power rating | |
| Average | 20 W |
| Peak | 3 kW |
| Connectors | SMA (f) |
| Weight in grams (oz) | 148 (5.2) |



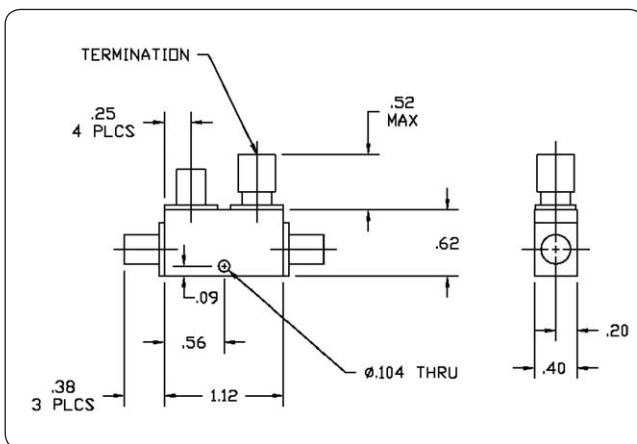
87300B



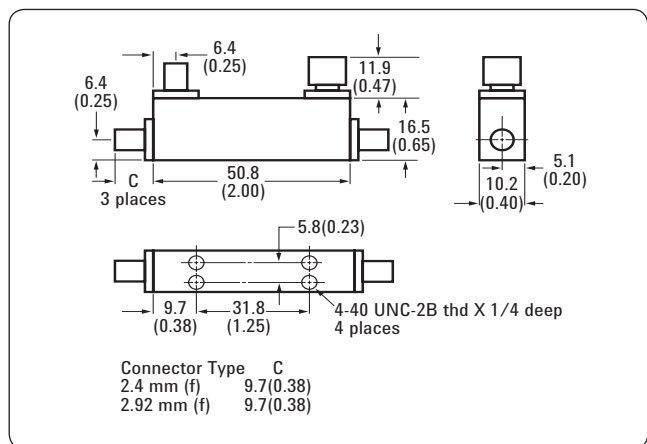
87300C



87300D

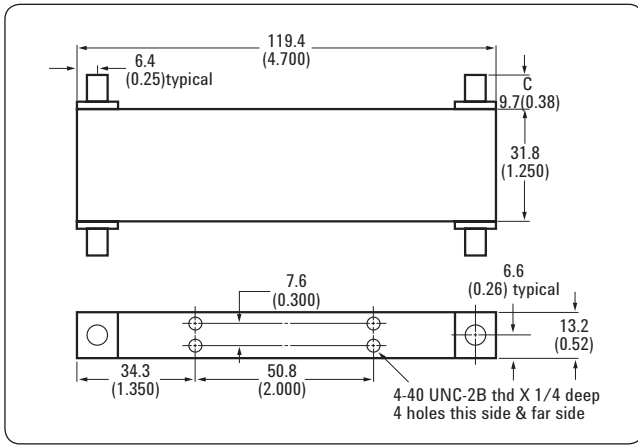


87301B, 87301C



87301D, 87301E

Dimensions are in millimeters (inches) nominal unless otherwise specified



87310B

Dimensions are in millimeters (inches) nominal unless otherwise specified

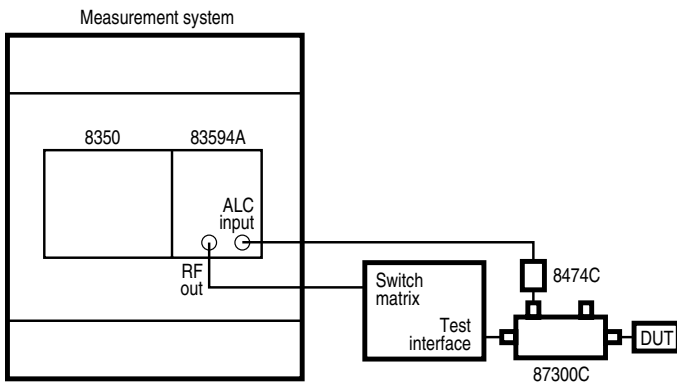


Figure 1

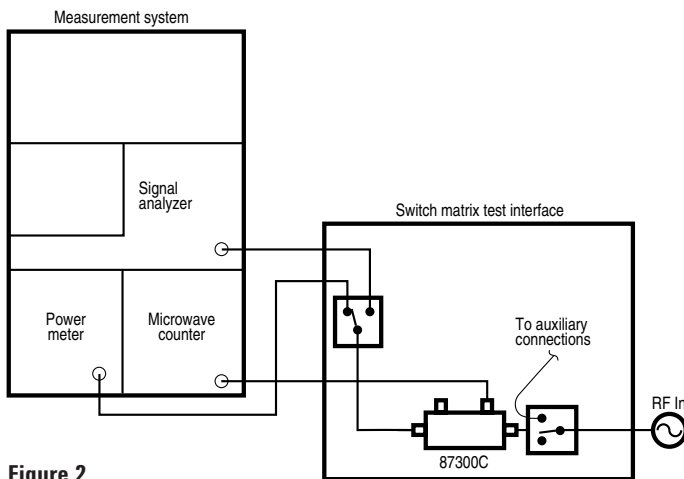


Figure 2

www.agilent.com
www.agilent.com/find/mta

For more information on Agilent Technologies' products, applications or services, please contact your local Agilent office. The complete list is available at:

www.agilent.com/find/contactus

Americas

| | |
|---------------|----------------|
| Canada | (877) 894-4414 |
| Latin America | 305 269 7500 |
| United States | (800) 829-4444 |

Asia Pacific

| | |
|-----------|----------------|
| Australia | 1 800 629 485 |
| China | 800 810 0189 |
| Hong Kong | 800 938 693 |
| India | 1 800 112 929 |
| Japan | 0120 (421) 345 |
| Korea | 080 769 0800 |
| Malaysia | 1 800 888 848 |
| Singapore | 1 800 375 8100 |
| Taiwan | 0800 047 866 |
| Thailand | 1 800 226 008 |

Europe & Middle East

| | |
|---------|---------------------|
| Austria | 01 36027 71571 |
| Belgium | 32 (0) 2 404 93 40 |
| Denmark | 45 70 13 15 15 |
| Finland | 358 (0) 10 855 2100 |
| France | 0825 010 700* |

*0.125 €/minute

| | |
|----------------|--------------------|
| Germany | 07031 464 6333 |
| Ireland | 1890 924 204 |
| Israel | 972-3-9288-504/544 |
| Italy | 39 02 92 60 8484 |
| Netherlands | 31 (0) 20 547 2111 |
| Spain | 34 (91) 631 3300 |
| Sweden | 0200-88 22 55 |
| Switzerland | 0800 80 53 53 |
| United Kingdom | 44 (0) 118 9276201 |

Other European Countries:

www.agilent.com/find/contactus

Revised: February 25, 2009

Product specifications and descriptions in this document subject to change without notice.

© Agilent Technologies, Inc. 1997, 2000, 2004, 2009

Printed in U.S.A. April 15, 2009
 5091-6188E

Agilent Email Updates

www.agilent.com/find/emailupdates
 Get the latest information on the products and applications you select.

Agilent Direct

www.agilent.com/find/agilentdirect
 Quickly choose and use your test equipment solutions with confidence.