
Swift

Product Specifications	572
Fabrics and Options	573
Contrasting Fabric	574
Product Pages - Non-Tufting	576
Product Pages - Tufting	584
COM Yardage Requirements	591

SWIFT

SWIFT PRODUCT SPECIFICATIONS

LOUNGE

FRAME CONSTRUCTION

- Interior frame is constructed of plywood with tenon joints that are glued and screwed for maximum joint stability
- Exterior base frame features wood and metal-look accents
- Each joint is securely glued for maximum joint stability

SEAT CONSTRUCTION

- 4" of high grade polyurethane foam covers a plywood seat panel with high tension strip webbing for comfort

BACK CONSTRUCTION

- 4½" of high grade custom shaped polyurethane foam stretched over web sheet and attached to frame

ARM CONSTRUCTION

- ½" of high grade polyurethane foam covers a plywood constructed arm frame

UPHOLSTERY DETAIL

- Contrasting fabric available on all models
- Railroaded fabrics cannot be specified for vertical tufted models

LEGS

- Extruded aluminum legs with nylon leveling glides

MOBILE UNIT CASTERS

- Black, double wheel, roll control casters are standard and work on all floors

TABLET ARM

- ¾" thick black 3D Laminate with MDF core or ¾" thick maple
- Attached with ¼" steel base plate and screws that mounts over ¼" metal insert rod and fits into structure of arm
- Allows for 360° swivel and writing surface of 21" W x 13½" D

FINISH

- Tablet arm features a catalyzed top coat that resists denting, peeling and reactions to chemicals
- Can be cleaned with a damp cloth
- When specifying Brighton, Natural, and Sonoma finish, variation in color is acceptable due to the nature of wood characteristics

PLINTH BASE

- Available on tufting models only
- Black PVC edge
- Includes leveling glides

GANGING - TUFTING MODELS

- Ganging option available for an additional upcharge on the armless side(s) of lounges, benches and tables
- A right ganging bolt and left V-bracket is necessary for units to be ganged
- To gang units, simply lift unit and insert ganging bolt into ganging V-bracket

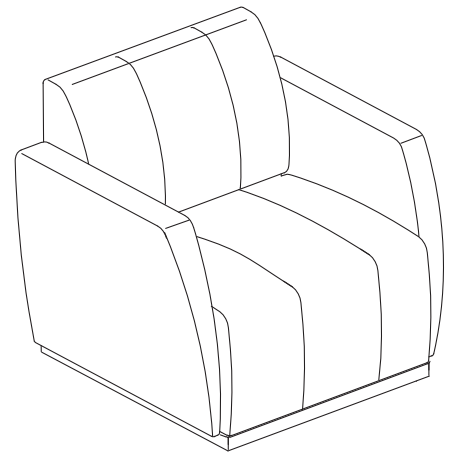
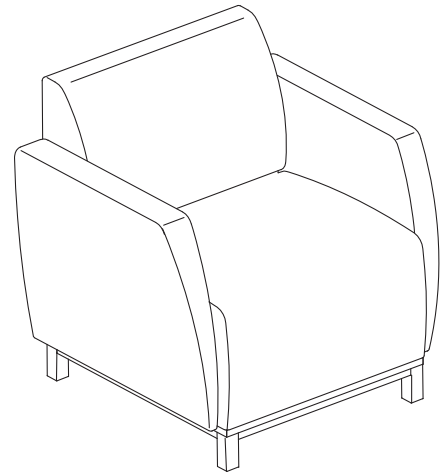
TABLES

FRAME CONSTRUCTION

- Grade A slipmatched maple (Brighton, Caramel, Honey, Natural), or cherry veneer (Amber, Autumn, Cordovan, Judicial, Mocha, Truffle) with mitered corners and extruded aluminum legs with rails
- Veneer features a semi-open pore matte sheen

POWER AND DATA GROMMET

- Available in the 30°, 45°, 90° and small end tables
- 3 power grommets available; specify cutout option and order electrical grommet model separately. See page 797 for details and pricing
- Power grommet not available on coffee or console tables



SURFACE MATERIALS

See the Kimball Hospitality Surface Materials Reference Guide at kimballhospitality.com for a complete overview of our materials program, including:

- Characteristics of wood
- Special wood finishes
- Customer-specified laminate (CSL)
- Customer-specified paint (CSP)
- Fabric application and colorways
- Customer's own material (COM) process overview
- Alliance program

ALLIANCE FABRIC PROGRAM

Kimball Hospitality has analyzed each model to most accurately reflect the COM/COL yardage requirements shown on page 591.

The yardage requirement for each model is based on 54" W fabric and cutting the fabric up the roll.

If repeat is larger than 18", contact Customer Service to confirm the correct amount of yardage required. When ordering 10 or more chairs in the same COM, yardage requirements may be reduced.

Contact Customer Service.

PRICE GRADES A-R

See Surface Materials at www.kimballhospitality.com for a wide variety of graded-in fabrics from Arc-Com, CF Stinson, Designtex, Maharam, Momentum, and Ultrafabrics.

FABRIC SAMPLES

If you need samples for presentation(s), contact our alliance partners directly at:

Arc-Com	800.223.5466	arc-com.com
Designtex	800.221.1540	designtex.com
CF Stinson	800.841.6279	cfstinson.com
Maharam	800.645.3943	maharam.com
Momentum	800.366.6839	memosamples.com
Ultrafabrics	877.309.6648	ultrafabricsllc.com

TABLES SURFACE GROMMETS/CUTOUTS

(\$25 list upcharge per location)

CUT-G12	G12 Cutout
CUT-G17	G17 Cutout
CUT-G23	G23 Cutout
X	No Grommet

TABLES SIDE GROMMETS/CUTOUTS

(\$25 list upcharge per location)

CUT-G23C	Power Grommet
X	No Grommet

Reference page 797 for pricing and details

TABLET ARM

T	3D Laminate, Black
W	Wood

FRAME COLORS - NON-TUFTING MODELS

423	Concrete
462	Cinder
463	Iron
497	Polished Aluminum
501	Platinum Metallic
503	Satin Nickel Metallic

FINISHES

AC	Autumn	PB	Portobello*
AD	Almond*	PT	Portico*
CL	Caramel	SK	Skyline*
CW	Cordovan	SM	Sonoma*
DW	Judicial	TF	Truffle
HN	Honey	405	Designer White*
IM	Brighton	462	Cinder*
MC	Amber	792	Sable*
MH	Mocha	793	Acorn*†
NM	Natural		

*Not available on tables

†Acorn is the finish and laminate complement to Clear Walnut finish

LAMINATES

AC2	Autumn 2	TF	Truffle
AD	Almond	405	Designer White
CL	Caramel	419	Wallaby
CW	Cordovan	425	Shadow
DW	Judicial	440	Cloud
HN2	Honey 2	461	Graphite
IM	Brighton	462	Cinder
MC	Amber	478	Platinum Grey
MH	Mocha	488	Frosty White
NM	Natural	491	Designer White
PB	Portobello		Linear
PT	Portico	492	Cinder Linear
SK	Skyline	792	Sable
SM	Sonoma	793	Acorn†

GANGING OPTIONS TUFTING MODELS ONLY

(\$52 list upcharge per ganging location)

LOUNGE

L	Ganging Left
R	Ganging Right
LR	Ganging Left and Right
X	No Ganging

TABLES

1	Ganging 1 Side
2	Ganging 2 Sides
X	No Ganging

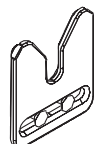
GANGING BRACKET DETAILS (AS SEATED)

RIGHT SIDE GANGING



Ganging Bolt

LEFT SIDE GANGING



Ganging V-Bracket

TO ORDER CONTRASTING FABRIC, SPECIFY

SWIFT

1 Seat Lounge page 576

1 Seat Lounge - Single Arm page 576

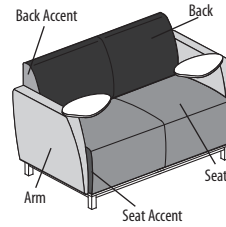
2 Seat Lounge page 577

2 Seat Lounge - Single Arm page 577

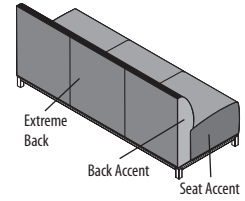
3 Seat Lounge page 578

3 Seat Lounge - Single Arm page 578

1. Model Number plus "X"
2. Back Fabric Grade Number/Cover Number
3. Extreme Fabric Grade Number/Cover Number
4. Back Accent Fabric Grade Number/Cover Number
5. Seat Fabric Grade Number/Cover Number
6. Seat Accent Fabric Grade Number/Cover Number
7. Arm Fabric Grade Number/Cover Number
8. Tablet (when applicable)
9. Finish Designator
10. Frame Color



Contrasting Fabric
Tablet Both Arms



Contrasting Fabric Back View

30° Corner Unit page 579

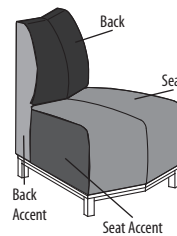
45° Inside Corner Unit page 579

45° Outside Corner Unit page 579

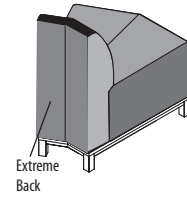
90° Inside Corner Unit page 580

90° Outside Corner Unit page 580

1. Model Number plus "X"
2. Back Fabric Grade Number/Cover Number
3. Extreme Fabric Grade Number/Cover Number
4. Back Accent Fabric Grade Number/Cover Number
5. Seat Fabric Grade Number/Cover Number
6. Seat Accent Fabric Grade Number/Cover Number
7. Finish Designator
8. Frame Color



Contrasting Fabric



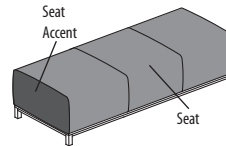
Contrasting Upholstery Back View

1 Seat Bench page 581

2 Seat Bench page 581

3 Seat Bench page 581

1. Model Number plus "X"
2. Seat Fabric Grade Number/Cover Number
3. Seat Accent Fabric Grade Number/Cover Number
4. Finish Designator
5. Frame Color



Contrasting Fabric

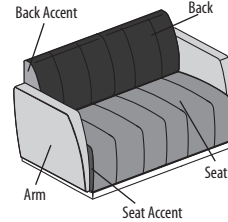
SWIFT

1 Seat Lounge Vertical Tuft Plinth Base page 584

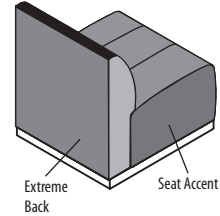
2 Seat Lounge Vertical Tuft Plinth Base page 584

3 Seat Lounge Vertical Tuft Plinth Base page 584

1. Model Number plus "X"
2. Ganging
3. Back Fabric Grade Number/Cover Number
4. Extreme Fabric Grade Number/Cover Number
5. Back Accent Fabric Grade Number/Cover Number
6. Seat Fabric Grade Number/Cover Number
7. Seat Accent Fabric Grade Number/Cover Number
8. Arm Fabric Grade Number/Cover Number



Contrasting Fabric

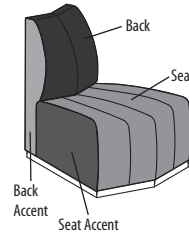


Contrasting Fabric Back View

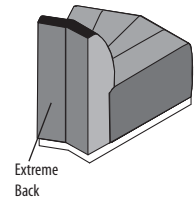
90° Inside Corner Lounge Vertical Tuft Plinth Base page 585

90° Outside Corner Lounge Vertical Tuft Plinth Base page 585

1. Model Number plus "X"
2. Ganging
3. Back Fabric Grade Number/Cover Number
4. Extreme Fabric Grade Number/Cover Number
5. Back Accent Fabric Grade Number/Cover Number
6. Seat Fabric Grade Number/Cover Number
7. Seat Accent Fabric Grade Number/Cover Number



Contrasting Fabric



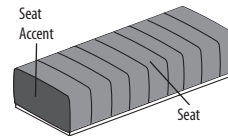
Contrasting Upholstery Back View

1 Seat Bench Vertical Tuft Plinth Base page 585

2 Seat Bench Vertical Tuft Plinth Base page 585

3 Seat Bench Vertical Tuft Plinth Base page 585

1. Model Number plus "X"
2. Ganging
3. Seat Fabric Grade Number/Cover Number
4. Seat Accent Fabric Grade Number/Cover Number



Contrasting Fabric

SWIFT

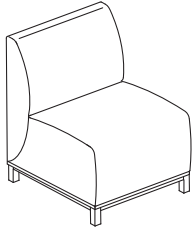
SWIFT

TO ORDER, SPECIFY:

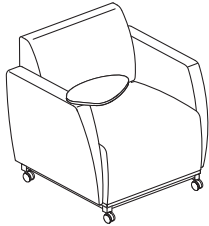
1. Model Number
2. Fabric Grade Number
3. Cover Number
4. Tablet (when applicable)
5. Finish Designator
6. Frame Color

- See page 573 for Swift options
- See pages 591-593 for COM fabric yardage

1 SEAT LOUNGE



Armless



Tablet Right Arm - Mobile

MODEL NO.

ALLIANCE PROGRAM PRICE GRADES

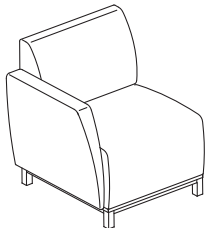
			A	B	C	D	E	F	G	H	I
			J	K	L	M	N	O	P	Q	R
N95MA	Armless	\$	2093	2176	2241	2313	2390	2474	2539	2623	2709
			2790	2923	3190	3354	3441	3531	3615	3701	3782
N95MAC	Armless - Mobile		2266	2349	2414	2486	2563	2647	2712	2796	2882
			2963	3096	3363	3527	3614	3704	3788	3874	3955
N95AA	Arms		2800	2953	3073	3204	3347	3501	3620	3774	3934
			4082	4327	4817	5119	5279	5444	5598	5758	5906
N95AAR	Tablet Right Arm		3057	3210	3330	3461	3604	3758	3877	4031	4191
			4339	4584	5074	5376	5536	5701	5855	6015	6163
N95AAL	Tablet Left Arm		3057	3210	3330	3461	3604	3758	3877	4031	4191
			4339	4584	5074	5376	5536	5701	5855	6015	6163
N95AAC	Arms - Mobile		2971	3124	3244	3375	3518	3672	3791	3945	4105
			4253	4498	4988	5290	5450	5615	5769	5929	6077
N95AARC	Tablet Right Arm - Mobile		3230	3383	3503	3634	3777	3931	4050	4204	4364
			4512	4757	5247	5549	5709	5874	6028	6188	6336
N95AALC	Tablet Left Arm - Mobile		3230	3383	3503	3634	3777	3931	4050	4204	4364
			4512	4757	5247	5549	5709	5874	6028	6188	6336

DIMENSIONS

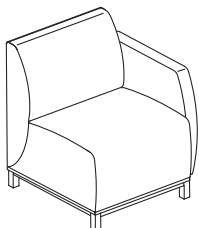
Armless Width	26½	Arm Height	27¼	Seat Depth	21¼	Armless Weight	49
Arm Width	32	Seat Height	19¼	Back Height	32½	Arm Weight	78
Depth	30	Seat Width	26½	Back Width	26½	Cubic Ft.	26.3
Height	32½						

• Contrasting fabric option – specify X (i.e., N95MAX); see page 574. For list pricing, use your electronic specification tool or contact customer service

1 SEAT LOUNGE - SINGLE ARM



Right Arm



Left Arm

			A	B	C	D	E	F	G	H	I
			J	K	L	M	N	O	P	Q	R
N95MAR	Right Arm	\$	2423	2542	2634	2735	2845	2964	3057	3175	3299
			3413	3602	3981	4214	4337	4465	4583	4707	4821
N95MART	Tablet Right Arm		2729	2848	2940	3041	3151	3270	3363	3481	3605
			3719	3908	4287	4520	4643	4771	4889	5013	5127
N95MAL	Left Arm		2423	2542	2634	2735	2845	2964	3057	3175	3299
			3413	3602	3981	4214	4337	4465	4583	4707	4821
N95MALT	Tablet Left Arm		2729	2848	2940	3041	3151	3270	3363	3481	3605
			3719	3908	4287	4520	4643	4771	4889	5013	5127

DIMENSIONS

Width	29½	Arm Height	27¼	Seat Depth	21¼	Weight	67
Depth	30	Seat Height	19¼	Back Height	32½	Cubic Ft.	26.3
Height	32½	Seat Width	26½	Back Width	26½		

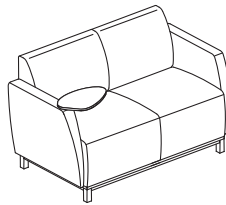
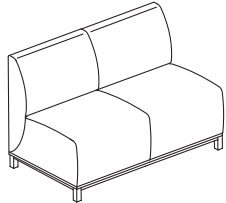
• Contrasting fabric option – specify X (i.e., N95MALX); see page 574. For list pricing, use your electronic specification tool or contact customer service

TO ORDER, SPECIFY:

1. Model Number
2. Fabric Grade Number
3. Cover Number
4. Tablet (when applicable)
5. Finish Designator
6. Frame Color

- See page 573 for Swift options
- See pages 591-593 for COM fabric yardage

2 SEAT LOUNGE



Tablet Right Arm

MODEL NO.

ALLIANCE PROGRAM PRICE GRADES

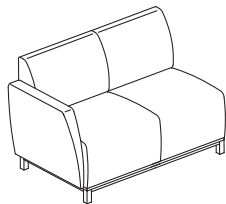
		A	B	C	D	E	F	G	H	I
		J	K	L	M	N	O	P	Q	R
N95MB	Armless	\$ 3050	3180	3280	3391	3511	3640	3741	3871	4005
		4130	4336	4749	5004	5138	5277	5407	5541	5666
N95BB	Arms	3719	3894	4031	4180	4343	4518	4655	4830	5012
		5181	5461	6020	6364	6546	6735	6910	7092	7261
N95BBR	Tablet Right Arm	3976	4151	4288	4437	4600	4775	4912	5087	5269
		5438	5718	6277	6621	6803	6992	7167	7349	7518
N95BBL	Tablet Left Arm	3976	4151	4288	4437	4600	4775	4912	5087	5269
		5438	5718	6277	6621	6803	6992	7167	7349	7518
N95BBB	Tablet Both Arms	4233	4408	4545	4694	4857	5032	5169	5344	5526
		5695	5975	6534	6878	7060	7249	7424	7606	7775

DIMENSIONS

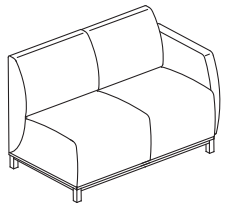
Armless Width	51½	Arm Height	27¼	Seat Depth	21¼	Armless Weight	84
Arm Width	59¼	Seat Height	19¼	Back Height	32½	Arm Weight	120
Depth	30	Seat Width	51½	Back Width	51½	Cubic Ft.	48.8
Height	32½						

• Contrasting fabric option – specify X (i.e., N95MBX); see page 574. For list pricing, use your electronic specification tool or contact customer service

2 SEAT LOUNGE - SINGLE ARM



Right Arm



Left Arm

		A	B	C	D	E	F	G	H	I
		J	K	L	M	N	O	P	Q	R
N95MBR	Right Arm	\$ 3344	3487	3598	3720	3852	3995	4107	4250	4398
		4536	4764	5220	5501	5649	5803	5946	6094	6232
N95MBRT	Tablet Right Arm	3649	3792	3903	4025	4157	4300	4412	4555	4703
		4841	5069	5525	5806	5954	6108	6251	6399	6537
N95MBL	Left Arm	3344	3487	3598	3720	3852	3995	4107	4250	4398
		4536	4764	5220	5501	5649	5803	5946	6094	6232
N95MBLT	Tablet Left Arm	3649	3792	3903	4025	4157	4300	4412	4555	4703
		4841	5069	5525	5806	5954	6108	6251	6399	6537

DIMENSIONS

Width	55¼	Arm Height	27¼	Seat Depth	21¼	Weight	113
Depth	30	Seat Height	19¼	Back Height	32½	Cubic Ft.	48.8
Height	32½	Seat Width	51½	Back Width	51½		

• Contrasting fabric option – specify X (i.e., N95MBLX); see page 574. For list pricing, use your electronic specification tool or contact customer service

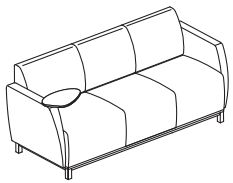
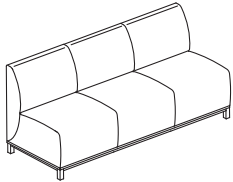
SWIFT

TO ORDER, SPECIFY:

1. Model Number
2. Fabric Grade Number
3. Cover Number
4. Tablet (when applicable)
5. Finish Designator
6. Frame Color

- See page 573 for Swift options
- See pages 591-593 for COM fabric yardage

3 SEAT LOUNGE



Tablet Right Arm

MODEL NO.

ALLIANCE PROGRAM PRICE GRADES

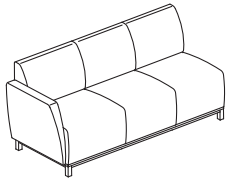
			A	B	C	D	E	F	G	H	I
			J	K	L	M	N	O	P	Q	R
N95MC	Armless	\$	4018	4198	4339	4493	4661	4842	4982	5163	5351
			5525	5813	6389	6744	6932	7126	7307	7495	7669
N95CC	Arms		4697	4931	5114	5314	5532	5767	5949	6184	6428
			6654	7028	7776	8237	8481	8733	8968	9212	9438
N95CCR	Tablet Right Arm		4956	5190	5373	5573	5791	6026	6208	6443	6687
			6913	7287	8035	8496	8740	8992	9227	9471	9697
N95CCL	Tablet Left Arm		4956	5190	5373	5573	5791	6026	6208	6443	6687
			6913	7287	8035	8496	8740	8992	9227	9471	9697
N95CCB	Tablet Both Arms		5212	5446	5629	5829	6047	6282	6464	6699	6943
			7169	7543	8291	8752	8996	9248	9483	9727	9953

DIMENSIONS

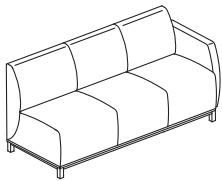
Armless Width	76	Arm Height	27¼	Seat Depth	21¼	Armless Weight	141
Arm Width	83	Seat Height	19¼	Back Height	32¼	Arm Weight	155
Depth	30	Seat Width	79½	Back Width	79½	Cubic Ft.	72.2
Height	32½						

- Contrasting fabric option – specify X (i.e., N95CCX); see page 574. For list pricing, use your electronic specification tool or contact customer service

3 SEAT LOUNGE - SINGLE ARM



Right Arm



Left Arm

			A	B	C	D	E	F	G	H	I
			J	K	L	M	N	O	P	Q	R
N95MCR	Right Arm	\$	4320	4520	4675	4845	5030	5230	5386	5585	5793
			5985	6303	6940	7332	7539	7754	7953	8161	8353
N95MCRT	Tablet Right Arm		4627	4827	4982	5152	5337	5537	5693	5892	6100
			6292	6610	7247	7639	7846	8061	8260	8468	8660
N95MCL	Left Arm		4320	4520	4675	4845	5030	5230	5386	5585	5793
			5985	6303	6940	7332	7539	7754	7953	8161	8353
N95MCLT	Tablet Left Arm		4627	4827	4982	5152	5337	5537	5693	5892	6100
			6292	6610	7247	7639	7846	8061	8260	8468	8660

DIMENSIONS

Width	82¼	Arm Height	27¼	Seat Depth	21¼	Weight	148
Depth	30	Seat Height	19¼	Back Height	32¼	Cubic Ft.	72.2
Height	32½	Seat Width	79½	Back Width	79½		

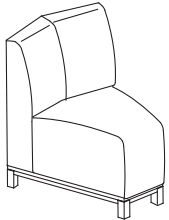
- Contrasting fabric option – specify X (i.e., N95MCLX); see page 574. For list pricing, use your electronic specification tool or contact customer service

TO ORDER, SPECIFY:

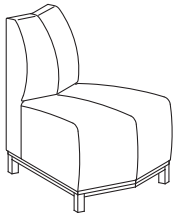
1. Model Number
2. Fabric Grade Number
3. Cover Number
4. Finish Designator
5. Frame Color

- See page 573 for Swift options
- See pages 591-593 for COM fabric yardage

30° CORNER UNIT



30° Inside Corner



30° Outside Corner

MODEL NO.

ALLIANCE PROGRAM PRICE GRADES

			A	B	C	D	E	F	G	H	I
			J	K	L	M	N	O	P	Q	R
N95MH	Inside Corner	\$	2003	2073	2128	2188	2253	2323	2377	2448	2520
			2588	2700	2923	3061	3134	3209	3280	3352	3420
N95MHA	Outside Corner		1994	2059	2109	2164	2224	2289	2340	2404	2472
			2534	2637	2844	2971	3038	3108	3172	3240	3302

DIMENSIONS - INSIDE CORNER

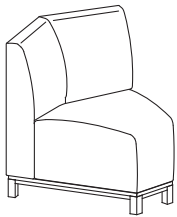
Width	25½	Seat Height	19¼	Weight	40
Depth	32			Cubic Ft.	31.9
Height	32½				

DIMENSIONS - OUTSIDE CORNER

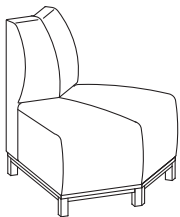
Width	27	Seat Height	19¼	Weight	40
Depth	31			Cubic Ft.	31.9
Height	32½				

- Contrasting fabric option – specify X (i.e., N95MHAX); see page 574. For list pricing, use your electronic specification tool or contact customer service
- Stripes and plaids are not recommended as the fabrics may not align at the seams

45° CORNER UNIT



45° Inside Corner



45° Outside Corner

			A	B	C	D	E	F	G	H	I
			J	K	L	M	N	O	P	Q	R
N95MJ	Inside Corner	\$	2330	2413	2478	2550	2627	2711	2776	2860	2946
			3027	3160	3427	3591	3678	3768	3852	3938	4019
N95MJA	Outside Corner		2312	2384	2441	2503	2571	2644	2700	2773	2849
			2919	3035	3267	3410	3486	3564	3637	3713	3783

DIMENSIONS - INSIDE CORNER

Width	32½	Seat Height	19¼	Weight	45
Depth	32½			Cubic Ft.	31.9
Height	32½				

DIMENSIONS - OUTSIDE CORNER

Width	33½	Seat Height	19¼	Weight	45
Depth	33½			Cubic Ft.	31.9
Height	32½				

- Contrasting fabric option – specify X (i.e., N95MJAX); see page 574. For list pricing, use your electronic specification tool or contact customer service
- Stripes and plaids are not recommended as the fabrics may not align at the seams

SWIFT

90° CORNER UNIT TO ORDER, SPECIFY:

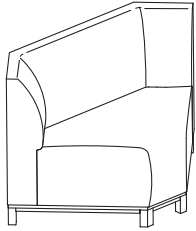
1. Model Number
2. Fabric Grade Number
3. Cover Number
4. Finish Designator
5. Frame Color

PULL-UP TABLE TO ORDER, SPECIFY:

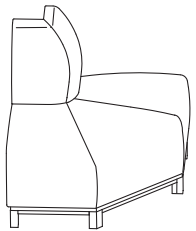
1. Model Number
2. Laminate or Finish
3. Paint

- See page 573 for Swift options
- See pages 591-593 for COM fabric yardage

90° CORNER UNIT



90° Inside Corner



90° Outside Corner

MODEL NO.

ALLIANCE PROGRAM PRICE GRADES

			A	B	C	D	E	F	G	H	I
			J	K	L	M	N	O	P	Q	R
N95MK	Inside Corner	\$	3028	3144	3234	3333	3440	3556	3647	3763	3883
			3995	4180	4550	4778	4898	5023	5139	5259	5371
N95MKA	Outside Corner		2974	3057	3122	3194	3271	3355	3420	3504	3590
			3671	3804	4071	4235	4322	4412	4496	4582	4663

DIMENSIONS - INSIDE CORNER

Width	50½	Seat Height	19¼	Weight	56
Depth	30			Cubic Ft.	31.9
Height	32½				

DIMENSIONS - OUTSIDE CORNER

Width	48%	Seat Height	19¼	Weight	56
Depth	33%			Cubic Ft.	36.9
Height	32½				

- Contrasting fabric option – specify X (i.e., N95MKAX); see page 574. For list pricing, use your electronic specification tool or contact customer service
- Stripes and plaids are not recommended as the fabrics may not align at the seams

PERSONAL PULL-UP TABLE



MODEL NO.

LIST PRICE

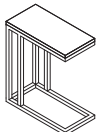
10N1622RTPUW	Wood	\$ 1107
10N1622RTPUL	Laminate	1107

DIMENSIONS

Width	22	Weight	32
Depth	13¾	Cubic Ft.	9.25
Height	28½		

- 50 lb. weight limit
- Specify metal finish (423) Concrete, (462) Cinder, (463) Iron, (501) Platinum Metallic, or (503) Satin Nickel Metallic
- Veneer species is maple
- Acorn is the laminate/wood complement to Clear Walnut
- NON-CONTRACT/OPEN MARKET

PERSONAL PULL-UP TABLE



White Marble



Black Marble

10N1120RTPU2SS	White Marble	\$ 780
10N1620RTPU2SB	Black Marble	780

DIMENSIONS - WHITE MARBLE

Width	20	Weight	30
Depth	11	Cubic Ft.	5
Height	25		

DIMENSIONS - BLACK MARBLE

Width	20	Weight	30
Depth	16	Cubic Ft.	6.95
Height	25		

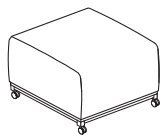
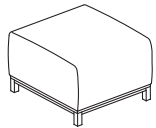
- 50 lb. weight limit
- White Marble model has a Platinum Metallic base; Black Marble model has a Cinder base
- 10N1620RTPU2SB top material is Porcelain with pattern Nero Marquina
- 10N1120RTPU2SS top material is Nature Mabel species of Bianco Crown Marble
- Specify model number only

TO ORDER, SPECIFY:

1. Model Number
2. Fabric Grade Number
3. Cover Number
4. Finish Designator
5. Frame Color

- See page 573 for Swift options
- See pages 591-593 for COM fabric yardage

1 SEAT BENCH



Mobile

MODEL NO.

ALLIANCE PROGRAM PRICE GRADES

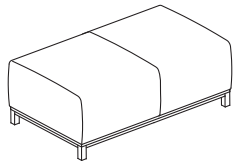
			A	B	C	D	E	F	G	H	I
			J	K	L	M	N	O	P	Q	R
N95DD	1 Seat Bench	\$	1630	1700	1755	1815	1880	1950	2004	2075	2147
			2215	2327	2550	2688	2761	2836	2907	2979	3047
N95DDC	1 Seat Bench - Mobile		1802	1872	1927	1987	2052	2122	2176	2247	2319
			2387	2499	2722	2860	2933	3008	3079	3151	3219

DIMENSIONS

Width	26¼	Weight	35
Depth	30	Cubic Ft.	16.7
Height	19¼		

- Contrasting fabric option – specify X (i.e., N95DDX); see page 574. For list pricing, use your electronic specification tool or contact customer service
- Railroaded fabrics will require a seam on the front and back edges of bench

2 SEAT BENCH



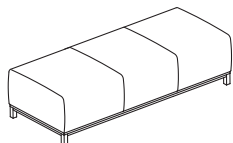
			A	B	C	D	E	F	G	H	I
			J	K	L	M	N	O	P	Q	R
N95EE	2 Seat Bench	\$	2242	2334	2405	2483	2568	2660	2732	2823	2919
			3007	3153	3446	3626	3721	3820	3911	4007	4095

DIMENSIONS

Width	51½	Weight	65
Depth	30	Cubic Ft.	29.4
Height	19¼		

- Contrasting fabric option – specify X (i.e., N95EEEX); see page 574. For list pricing, use your electronic specification tool or contact customer service
- Railroaded fabrics will require a seam on the front and back edges of bench

3 SEAT BENCH



			A	B	C	D	E	F	G	H	I
			J	K	L	M	N	O	P	Q	R
N95GG	3 Seat Bench	\$	2932	3091	3215	3350	3498	3657	3781	3940	4106
			4259	4513	5020	5333	5498	5669	5828	5994	6147

DIMENSIONS

Width	76	Weight	95
Depth	30	Cubic Ft.	44.8
Height	19¼		

- Contrasting fabric option – specify X (i.e., N95GGX); see page 574. For list pricing, use your electronic specification tool or contact customer service
- Railroaded fabrics will require a seam on the front and back edges of bench

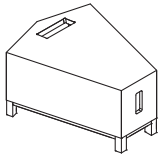
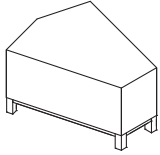
SWIFT

TO ORDER, SPECIFY:

1. Model Number
2. Surface Grommet
3. Side Grommet
4. Wood/Laminate Finish
5. Frame Color

• See page 573 for Swift options

30° TABLE



Optional Surface and Side Grommet Locations

MODEL NO.

LIST PRICE

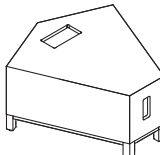
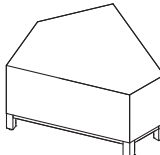
N95KKW	Wood	\$ 1661
N95KKL	Laminate	1559

DIMENSIONS

Width	25	Weight	40
Depth	30¼	Cubic Ft.	12.6
Height	16½		

- Power grommet sold separately; reference page 797 for pricing and details
- Optional surface grommet cutout available in G12, G17, and G23 cutout (+25 list)
- Optional side grommet cutout available in G23 cutout (+25 list)

45° TABLE



Optional Surface and Side Grommet Locations

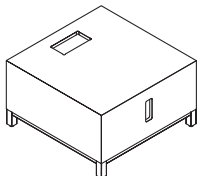
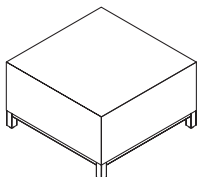
N95LLW	Wood	\$ 1797
N95LLL	Laminate	1695

DIMENSIONS

Width	31½	Weight	45.2
Depth	32¼	Cubic Ft.	16.3
Height	16½		

- Power grommet sold separately; reference page 797 for pricing and details
- Optional surface grommet cutout available in G12, G17, and G23 cutout (+25 list)
- Optional side grommet cutout available in G23 cutout (+25 list)

90° TABLE



Optional Surface and Side Grommet Locations

N95NNW	Wood	\$ 1865
N95NNL	Laminate	1764

DIMENSIONS

Width	28	Weight	47.8
Depth	28	Cubic Ft.	13.1
Height	16½		

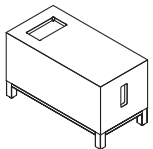
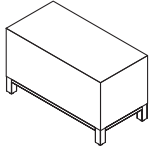
- Power grommet sold separately; reference page 797 for pricing and details
- Optional surface grommet cutout available in G12, G17, and G23 cutout (+25 list)
- Optional side grommet cutout available in G23 cutout (+25 list)

TO ORDER, SPECIFY:

1. Model Number
2. Surface Grommet
3. Side Grommet
4. Wood/Laminate Finish
5. Frame Color

• See page 573 for Swift options

SMALL END TABLE



Optional Surface and Side Grommet Locations

MODEL NO.

LIST PRICE

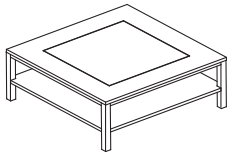
N95PPW	Wood	\$ 1389
N95PPL	Laminate	1289

DIMENSIONS

Width	14	Weight	31.8
Depth	28	Cubic Ft.	7.5
Height	16½		

- Power grommet sold separately; reference page 797 for pricing and details
- Optional surface grommet cutout available in G12, G17, and G23 cutout (+25 list)
- Optional side grommet cutout available in G23 cutout (+25 list)

COFFEE TABLE



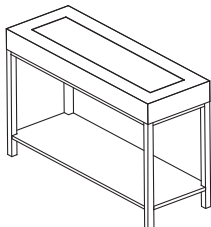
N95RRW	Wood	\$ 2169
N95RRL	Laminate	2070

DIMENSIONS

Width	36	Weight	70
Depth	36	Cubic Ft.	16.8
Height	13¼		

- Power grommet option not available
- Frosted ⅜" thick glass insert

CONSOLE TABLE



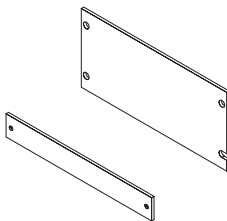
N95SSW	Wood	\$ 2318
N95SSL	Laminate	2217

DIMENSIONS

Width	50	Weight	74.2
Depth	18	Cubic Ft.	26.4
Height	33½		

- Power grommet option not available
- Frosted ⅜" thick glass insert

GANGING BRACKET KIT



N95TR	1 Bracket Kit	\$ 96
-------	---------------	-------

DIMENSIONS

Weight	2
Cubic Ft.	0.05

- Ganging bracket recommended for use in static applications for rigid ganging
- Ganging bracket intended for armless-to-armless or armless-to-table connections
- 1 bracket kit used for each connection

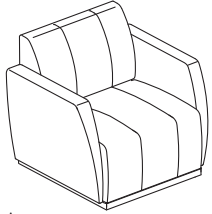
SWIFT

TO ORDER, SPECIFY:

1. Model Number
2. Ganging
3. Fabric Grade Number
4. Cover Number

- See page 573 for Swift options
- See pages 591-593 for COM fabric yardage

1 SEAT LOUNGE VERTICAL TUFT PLINTH BASE



Arms

MODEL NO.

ALLIANCE PROGRAM PRICE GRADES

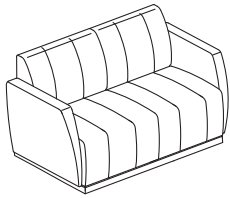
		A	B	C	D	E	F	G	H	I
		J	K	L	M	N	O	P	Q	R
N95AATP	Arms	2840	3018	3157	3309	3474	3652	3790	3969	4153
		4325	4609	5176	5526	5711	5902	6081	6265	6437

DIMENSIONS

Width	32	Seat Width	26½	Arm Height	24¼	Weight	78
Depth	31	Seat Depth	21¾	Back Height	29½	Cubic Ft.	21.7
Height	29½	Seat Height	16¼	Back Width	26½		

- Contrasting fabric option – specify X (i.e., N95AATPX); see page 575. For list pricing, use your electronic specification tool or contact customer service

2 SEAT LOUNGE VERTICAL TUFT PLINTH BASE



Arms

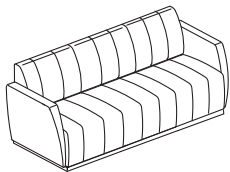
		A	B	C	D	E	F	G	H	I
		J	K	L	M	N	O	P	Q	R
N95BBTP	Arms	3813	4045	4226	4424	4639	4871	5051	5284	5524
		5748	6118	6857	7313	7554	7803	8036	8276	8500

DIMENSIONS

Width	59¼	Seat Width	51½	Arm Height	24¼	Weight	120
Depth	31	Seat Depth	21¾	Back Height	29½	Cubic Ft.	39.8
Height	29½	Seat Height	16¼	Back Width	51½		

- Contrasting fabric option – specify X (i.e., N95BBTPX); see page 575. For list pricing, use your electronic specification tool or contact customer service

3 SEAT LOUNGE VERTICAL TUFT PLINTH BASE



Arms

		A	B	C	D	E	F	G	H	I
		J	K	L	M	N	O	P	Q	R
N95CCTP	Arms	4818	5126	5365	5627	5912	6220	6460	6767	7087
		7383	7873	8854	9458	9777	10108	10415	10735	11031

DIMENSIONS

Width	83	Seat Width	79½	Arm Height	24¼	Weight	155
Depth	31	Seat Depth	21¾	Back Height	29½	Cubic Ft.	56.9
Height	29½	Seat Height	16¼	Back Width	79½		

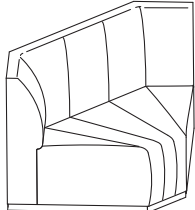
- Contrasting fabric option – specify X (i.e., N95CCTPX); see page 575. For list pricing, use your electronic specification tool or contact customer service

TO ORDER, SPECIFY:

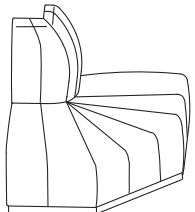
1. Model Number
2. Ganging
3. Fabric Grade Number
4. Cover Number

- See page 573 for Swift options
- See pages 591-593 for COM fabric yardage

**90° CORNER LOUNGE
VERTICAL TUFT
PLINTH BASE**



90° Inside Corner



90° Outside Corner

**MODEL
NO.**

ALLIANCE PROGRAM PRICE GRADES

		A	B	C	D	E	F	G	H	I
		J	K	L	M	N	O	P	Q	R
N95MKTP	Inside Corner	\$ 3064	3201	3308	3426	3553	3691	3798	3936	4078
		4211	4430	4869	5139	5282	5430	5568	5710	5843
N95KATP	Outside Corner	3023	3136	3225	3321	3426	3540	3628	3741	3859
		3968	4149	4510	4732	4850	4972	5085	5203	5312

DIMENSIONS - INSIDE CORNER

Width	50½	Seat Height	16¼	Weight	56
Depth	30	Back Height	29½	Cubic Ft.	30
Height	29½				

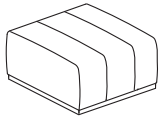
• Contrasting fabric option – specify X (i.e., N95MKATPX); see page 575. For list pricing, use your electronic specification tool or contact customer service

DIMENSIONS - OUTSIDE CORNER

Width	48¾	Seat Height	16¼	Weight	56
Depth	33¾	Back Height	29½	Cubic Ft.	30
Height	29½				

• Contrasting fabric option – specify X (i.e., N95MKATPX); see page 575. For list pricing, use your electronic specification tool or contact customer service

**1 SEAT BENCH
VERTICAL TUFT
PLINTH BASE**



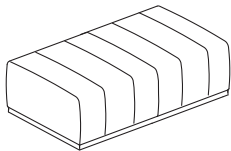
		A	B	C	D	E	F	G	H	I
		J	K	L	M	N	O	P	Q	R
N95DDTP	1 Seat Bench	\$ 1648	1729	1792	1861	1936	2017	2080	2161	2245
		2323	2452	2710	2869	2953	3040	3121	3205	3283

DIMENSIONS

Width	26¼	Weight	35
Depth	30	Cubic Ft.	10.9
Height	16¼		

• Contrasting fabric option – specify X (i.e., N95DDTPX); see page 575. For list pricing, use your electronic specification tool or contact customer service

**2 SEAT BENCH
VERTICAL TUFT
PLINTH BASE**



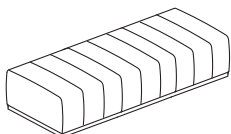
		A	B	C	D	E	F	G	H	I
		J	K	L	M	N	O	P	Q	R
N95EETP	2 Seat Bench	\$ 2278	2391	2480	2576	2681	2795	2883	2996	3114
		3223	3404	3765	3987	4105	4227	4340	4458	4567

DIMENSIONS

Width	51½	Weight	65
Depth	30	Cubic Ft.	21.6
Height	16¼		

• Contrasting fabric option – specify X (i.e., N95EETPX); see page 575. For list pricing, use your electronic specification tool or contact customer service

**3 SEAT BENCH
VERTICAL TUFT
PLINTH BASE**



		A	B	C	D	E	F	G	H	I
		J	K	L	M	N	O	P	Q	R
N95GGTP	3 Seat Bench	\$ 2986	3177	3326	3490	3667	3859	4008	4200	4398
		4583	4888	5499	5875	6074	6280	6472	6670	6855

DIMENSIONS

Width	76	Weight	95
Depth	30	Cubic Ft.	32.3
Height	16¼		

• Contrasting fabric option – specify X (i.e., N95GGTPX); see page 575. For list pricing, use your electronic specification tool or contact customer service

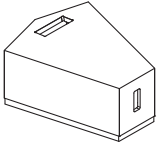
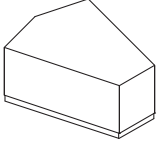
SWIFT

TO ORDER, SPECIFY:

1. Model Number
2. Surface Grommet
3. Side Grommet
4. Ganging
5. Wood/Laminate Finish

• See page 573 for Swift options

30° TABLE PLINTH BASE



MODEL NO.

LIST PRICE

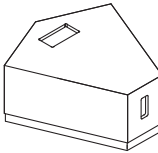
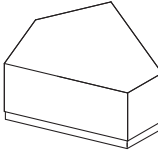
N95KKWP	Wood	\$ 1661
N95KKLP	Laminate	1559

DIMENSIONS

Width	25	Weight	40
Depth	30¼	Cubic Ft.	12.6
Height	16½		

- Optional surface and side grommet locations are available

45° TABLE PLINTH BASE



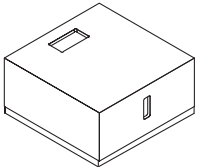
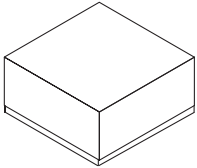
N95LLWP	Wood	\$ 1797
N95LLLP	Laminate	1695

DIMENSIONS

Width	31½	Weight	45.2
Depth	32¼	Cubic Ft.	16.3
Height	16½		

- Optional surface and side grommet locations are available

90° TABLE PLINTH BASE



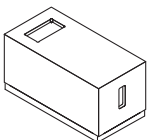
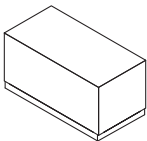
N95NNWP	Wood	\$ 1865
N95NNLP	Laminate	1764

DIMENSIONS

Width	28	Weight	47.8
Depth	28	Cubic Ft.	13.1
Height	16½		

- Optional surface and side grommet locations are available

SMALL END TABLE PLINTH BASE

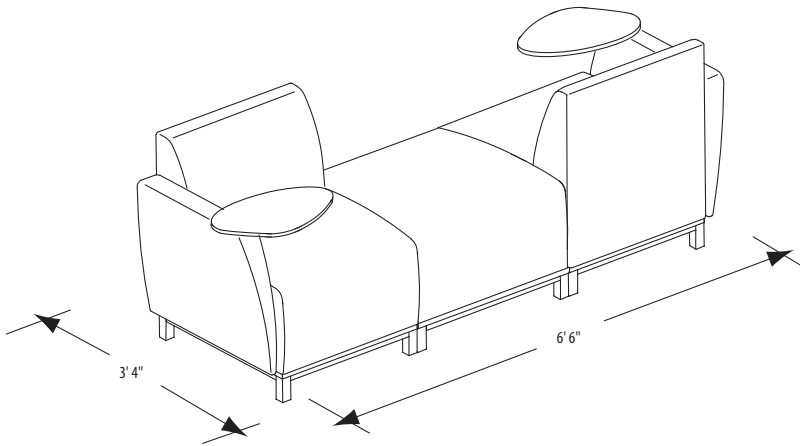


N95PPWP	Wood	\$ 1389
N95PPLP	Laminate	1289

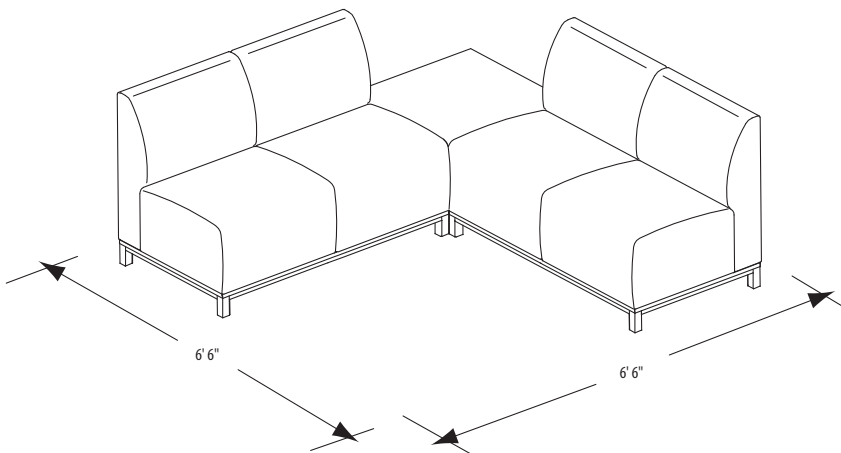
DIMENSIONS

Width	14	Weight	31.8
Depth	28	Cubic Ft.	7.5
Height	16½		

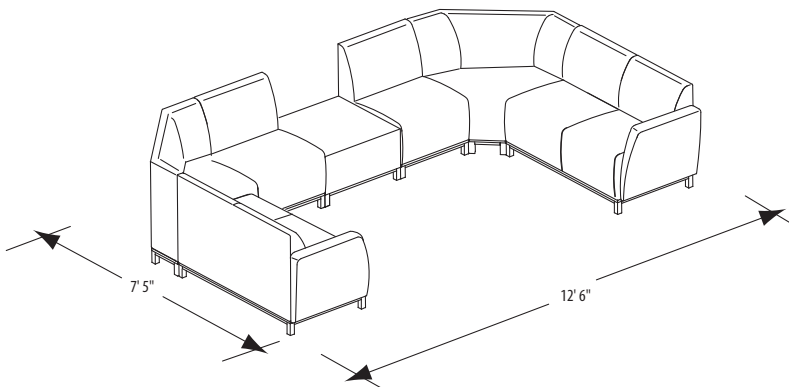
- Optional surface and side grommet locations are available



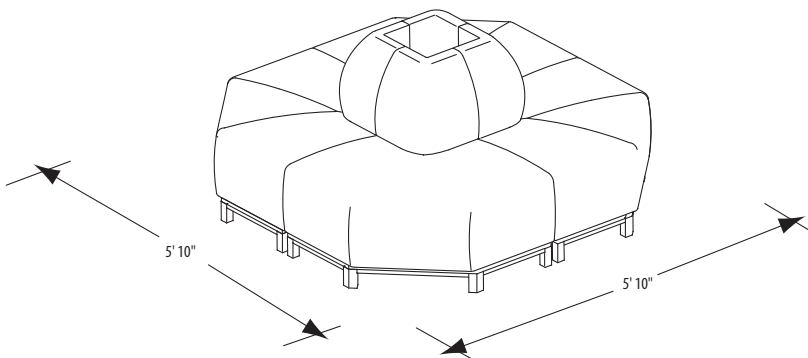
MODEL NO.	QUANTITY	DESCRIPTION	GRADE A LIST PRICE
N95MART	(2)	Tablet Right Arm	\$ 2729 ea
N95DD	(1)	1 Seat Bench	1630
N95TR	(10)	Ganging Bracket Kit	96 ea
Total			\$ 8048



MODEL NO.	QUANTITY	DESCRIPTION	GRADE A LIST PRICE
N95MB	(2)	Armless 2 Seat Lounge	\$ 3050 ea
N95NNW	(1)	90° Table, Wood	1865
N95TR	(10)	Ganging Bracket Kit	96 ea
Total			\$ 8925



MODEL NO.	QUANTITY	DESCRIPTION	GRADE A LIST PRICE
N95MBR	(1)	2 Seat Right Arm	\$ 3649
N95MK	(2)	90° Inside Corner	3028 ea
N95MA	(2)	1 Seat Armless	2093 ea
N95MBL	(1)	2 Seat Left Arm	3344
N95NNW	(1)	90° Table, Wood	1865
N95TR	(10)	Ganging Bracket Kit	96 ea
Total			\$ 20,060

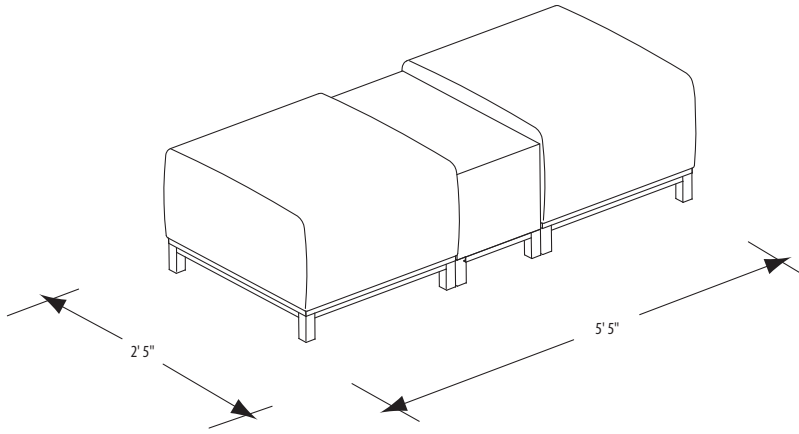


MODEL NO.	QUANTITY	DESCRIPTION	GRADE A LIST PRICE
N95MKA	(4)	90° Outside Corner	\$ 2974 ea
N95TR	(10)	Ganging Bracket Kit	96 ea
Total			\$ 12,856

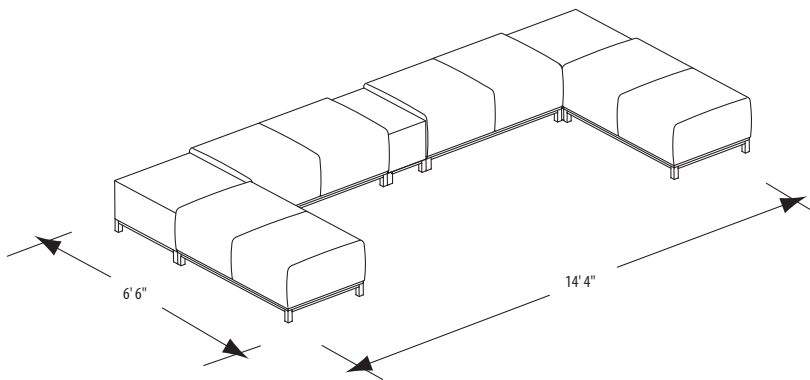
SWIFT

SWIFT

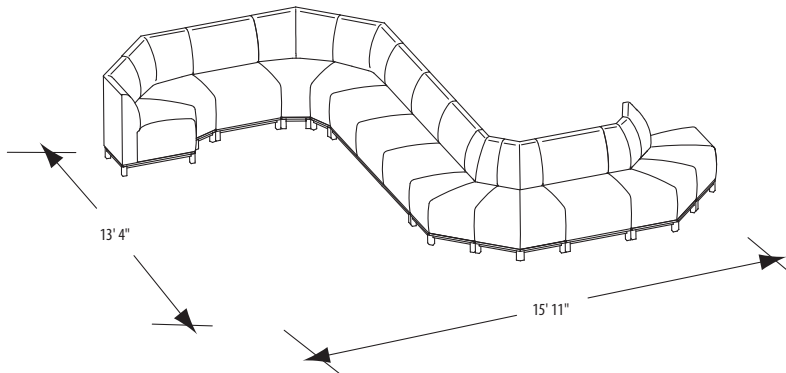
SWIFT



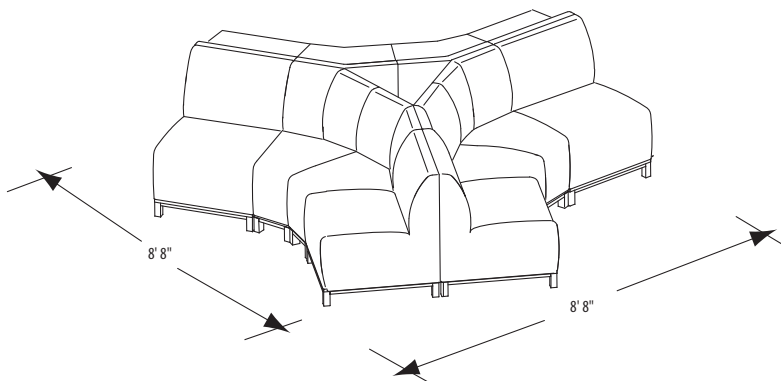
MODEL NO.	QUANTITY	DESCRIPTION	GRADE A LIST PRICE
N95DD	(2)	1 Seat Bench	\$ 1630 ea
N95PPW	(1)	Small End Table, Wood	1389
N95TR	(10)	Ganging Bracket Kit	96 ea
Total			\$ 5609



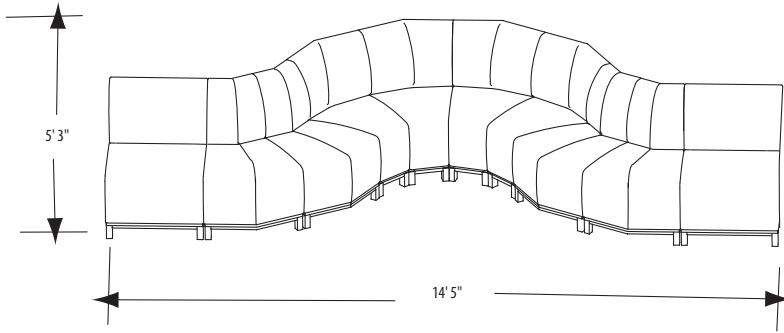
MODEL NO.	QUANTITY	DESCRIPTION	GRADE A LIST PRICE
N95EE	(4)	2 Seat Bench	\$ 2242 ea
N95NNW	(2)	90° Table, Wood	1865 ea
N95PPW	(1)	Small End Table, Wood	1389
N95TR	(10)	Ganging Bracket Kit	96 ea
Total			\$ 15,047



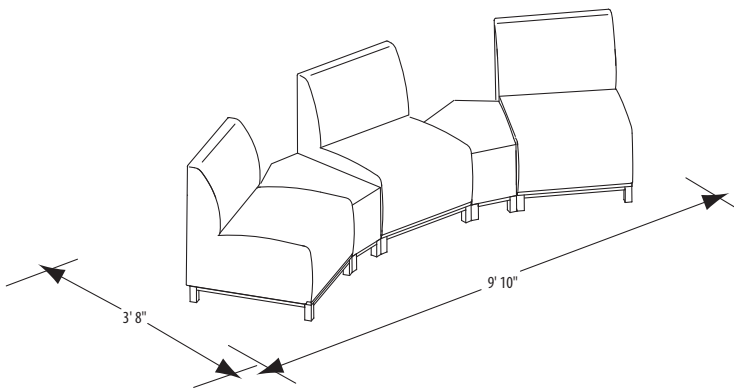
MODEL NO.	QUANTITY	DESCRIPTION	GRADE A LIST PRICE
N95MJ	(4)	45° Inside Corner	\$ 2330 ea
N95MJA	(4)	45° Outside Corner	2312 ea
N95MA	(2)	1 Seat Armless	2093 ea
N95MC	(1)	3 Seat Armless	4018
N95TR	(10)	Ganging Bracket Kit	96 ea
Total			\$ 27,732



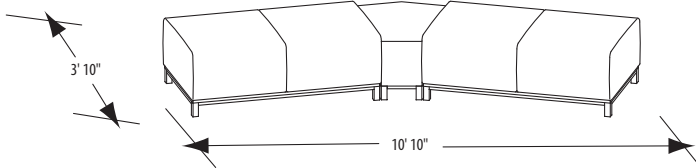
MODEL NO.	QUANTITY	DESCRIPTION	GRADE A LIST PRICE
N95MA	(6)	1 Seat Armless	\$ 2093 ea
N95MH	(6)	30° Inside Corner	2003 ea
N95TR	(10)	Ganging Bracket Kit	96 ea
Total			\$ 25,536



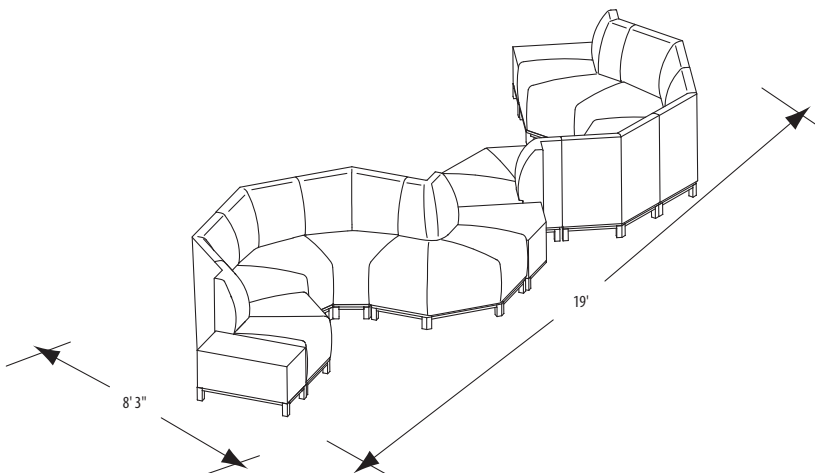
MODEL NO.	QUANTITY	DESCRIPTION	GRADE A LIST PRICE
N95MA	(2)	1 Seat Armless	\$ 2093 ea
N95MHA	(4)	30° Outside Corner	1994 ea
N95MH	(4)	30° Inside Corner	2003 ea
N95TR	(10)	Ganging Bracket Kit	96 ea
Total			\$ 21,134



MODEL NO.	QUANTITY	DESCRIPTION	GRADE A LIST PRICE
N95MA	(3)	1 Seat Armless	\$ 2093 ea
N95KKW	(2)	30° Corner Table	1661 ea
N95TR	(10)	Ganging Bracket Kit	96 ea
Total			\$ 10,561



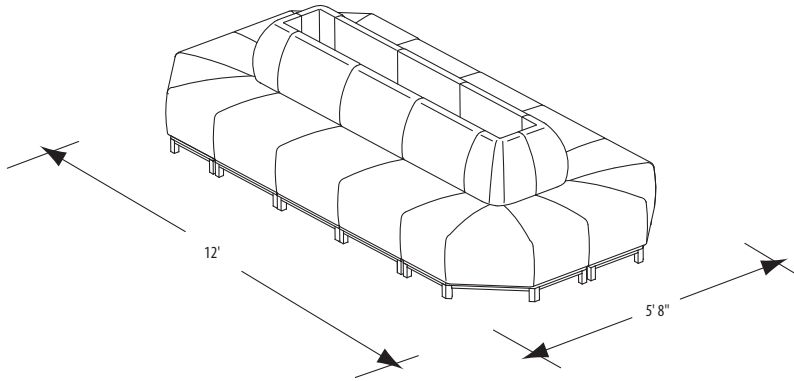
MODEL NO.	QUANTITY	DESCRIPTION	GRADE A LIST PRICE
N95EE	(2)	2 Seat Bench	\$ 2242 ea
N95KKW	(1)	30° Corner Table	1661
N95TR	(10)	Ganging Bracket Kit	96 ea
Total			\$ 7105



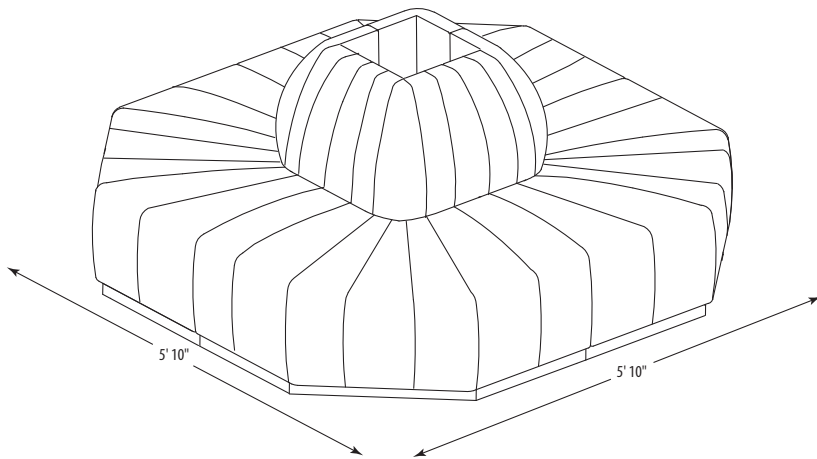
MODEL NO.	QUANTITY	DESCRIPTION	GRADE A LIST PRICE
N95PPW	(2)	Small End Table, Wood	\$ 1389 ea
N95MJA	(2)	45° Outside Corner Unit	2312 ea
N95MJ	(6)	45° Inside Corner Unit	2330 ea
N95MKA	(2)	90° Outside Corner Unit	2974 ea
N95KKW	(1)	30° Corner Table	1661
N95TR	(20)	Ganging Bracket Kit	96 ea
Total			\$ 30,911

SWIFT

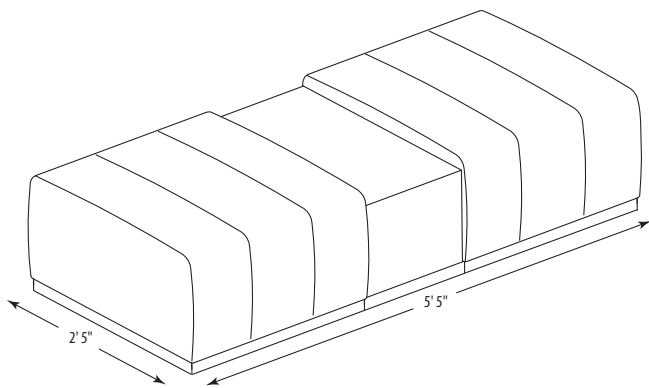
SWIFT



MODEL NO.	QUANTITY	DESCRIPTION	GRADE A LIST PRICE
N95MKA	(4)	90° Outside Corner Unit	\$ 2974 ea
N95MA	(6)	1 Seat Armless	2093 ea
N95TR	(20)	Ganging Bracket Kit	96 ea
Total			\$ 26,374



MODEL NO.	QUANTITY	DESCRIPTION	GRADE A LIST PRICE
N95MKATP	(4)	90° Outside Corner (Price includes Vertical Plinth Base Ganging Left and Right (LR) Option \$104 each)	\$ 3127 ea
Total			\$ 12,508



MODEL NO.	QUANTITY	DESCRIPTION	GRADE A LIST PRICE
N95DDTP	(2)	One Seat Bench Vertical Stitch Plinth Base (Price includes Ganging Left (L) and Ganging Right (R) Options +\$52 each)	\$ 1700 ea
N95PPWP	(1)	Small End Table Plinth Base, Wood (Price includes Ganging Left and Right (LR) Option \$104)	1389
Total			\$ 4789

SWIFT

COM YARDAGE REQUIREMENTS

COM YARDAGE REQUIREMENTS (54" WIDTH – CUT UP THE ROLL)

MODEL	RAILROADED Contact customer service 800-634-9510 for ydg requirements	NON DIRECTIONAL OR SOLID	1"-4" REPEAT	5"-11" REPEAT	12"-18" REPEAT	COL SQUARE FEET
			4" VERTICAL X 4" HORIZONTAL	11" VERTICAL X 11" HORIZONTAL	18" VERTICAL X 18" HORIZONTAL	
N95AA, N95AAC, N95AAL, N95AALC, N95AAR, N95AARC		5.80	7.00	8.40	9.50	116
N95AATP	Complete	6.90	8.00	9.90	10.60	136
N95AAX, N95AACX, N95AALX, N95AALCX, N95AARX, N95AARCX	Back	0.90	1.00	1.10	1.00	8
	Extreme	1.00	1.00	1.20	1.10	9
	Back Accent	1.00	1.00	1.20	1.10	6
	Seat	1.30	1.40	1.80	1.70	12
	Seat Accent	1.00	1.00	1.20	1.30	17
	Arm	2.50	2.80	3.80	4.00	48
N95AATPX	Back	1.20	1.20	1.50	2.10	23
	Extreme	1.00	1.00	1.20	1.10	9
	Back Accent	1.00	1.00	1.20	1.80	11
	Seat	1.70	1.80	2.10	2.30	33.50
	Seat Accent	1.00	1.30	1.50	1.80	19
	Arm	2.50	3.20	4.50	4.30	48.50
N95BB, N95BBB, N95BBL, N95BBR		7.00	10.60	12.70	13.90	140
N95BBTP	Complete	10.40	11.60	13.90	14.10	205
N95BBX, N95BBBX, N95BBLX, N95BBRX	Back	1.40	1.70	2.00	2.00	26
	Extreme	1.80	1.90	2.10	2.10	34
	Back Accent	1.00	1.00	1.20	1.10	6
	Seat	1.90	3.40	4.00	4.30	35
	Seat Accent	1.00	1.00	1.20	1.30	17
	Arm	2.50	2.80	3.80	4.00	48
N95BBTPX	Back	2.20	2.30	2.70	3.60	44
	Extreme	1.80	1.90	2.10	2.10	34
	Back Accent	1.00	1.00	1.20	1.80	11
	Seat	3.30	3.50	3.90	4.30	65
	Seat Accent	1.00	1.30	1.50	1.80	19
	Arm	2.50	3.20	4.50	4.30	48.50
N95CC, N95CCB, N95CCL, N95CCR		9.00	14.10	16.30	18.40	179
N95CCTP	Complete	13.80	15.10	17.90	18.10	273
N95CCTPX	Back	3.30	3.50	3.90	5.10	64.50
	Extreme	2.60	2.80	3.00	3.00	50.50
	Back Accent	1.00	1.00	1.20	1.80	11
	Seat	4.90	5.20	5.70	6.30	96.50
	Seat Accent	1.00	1.30	1.50	1.80	19
	Arm	2.50	3.20	4.50	4.30	48.50
N95CCX, N95CCBX, N95CCLX, N95CCRX	Back	1.70	2.50	3.00	3.00	31
	Extreme	2.60	2.80	3.00	3.00	50.50
	Back Accent	1.00	1.00	1.20	1.10	6
	Seat	3.00	5.30	6.10	6.80	58
	Seat Accent	1.00	1.20	1.20	1.30	17
	Arm	2.50	2.80	3.80	4.00	48
N95DD, N95DDC		2.60	2.90	3.20	3.50	52
N95DDX, N95DDCX	Seat	1.70	1.80	1.80	1.90	22.50
	Seat Accent	1.00	1.00	1.30	1.40	18
N95EE		3.40	5.50	6.20	6.50	68
N95EEX	Seat	2.60	4.50	4.90	5.40	49.25
	Seat Accent	1.00	1.00	1.30	1.40	18
N95GG		5.90	8.00	9.30	9.50	118
N95GGX	Seat	5.00	7.00	8.00	8.40	98
	Seat Accent	1.00	1.00	1.30	1.40	18
N95MA, N95MAC		3.20	4.30	5.00	5.40	64
N95MAL, N95MALT, N95MAR, N95MART		4.20	5.70	6.60	7.40	84

SWIFT

COM YARDAGE REQUIREMENTS

COM YARDAGE REQUIREMENTS (54" WIDTH – CUT UP THE ROLL)

MODEL	RAILROADED Contact customer service 800-634-9510 for ydg requirements	NON DIRECTIONAL OR SOLID	1"-4" REPEAT	5"-11" REPEAT	12"-18" REPEAT	COL SQUARE FEET
			4" VERTICAL X 4" HORIZONTAL	11" VERTICAL X 11" HORIZONTAL	18" VERTICAL X 18" HORIZONTAL	
N95MALX, N95MALT N95MARX, N95MARTX	Back	0.90	1.00	1.10	1.00	8
	Extreme	1.00	1.00	1.20	1.10	9
	Back Accent	1.00	1.00	1.20	1.10	6
	Seat	1.30	1.40	1.80	1.70	12
	Seat Accent	1.00	1.00	1.20	1.30	17
	Arm	1.50	1.50	2.00	2.00	27
N95MAX, N95MACX	Back	0.90	1.00	1.10	1.00	8
	Extreme	1.00	1.00	1.20	1.10	9
	Back Accent	1.00	1.00	1.20	1.10	6
	Seat	1.30	1.40	1.80	1.70	12
	Seat Accent	1.00	1.00	1.20	1.30	17
N95MB		5.10	7.90	9.30	9.90	102
N95MBL, N95MBLT, N95MBR, N95MBRT		6.10	9.20	10.50	11.90	122
N95MBLX, N95MBLT N95MBRX, N95MBRTX	Back	1.40	1.70	2.00	2.00	26
	Extreme	1.80	1.90	2.10	2.10	34
	Back Accent	1.00	1.00	1.20	1.10	6
	Seat	1.90	3.40	4.00	4.30	35
	Seat Accent	1.00	1.00	1.20	1.30	17
	Arm	1.50	1.50	2.00	2.00	27
N95MBX	Back	1.40	1.70	2.00	2.00	26
	Extreme	1.80	1.90	2.10	2.10	34
	Back Accent	1.00	1.00	1.20	1.10	6
	Seat	1.90	3.40	4.00	4.30	35
	Seat Accent	1.00	1.00	1.20	1.30	17
N95MC		7.10	11.40	13.00	14.40	142
N95MCL, N95MCLT, N95MCR, N95MCRT		8.10	12.80	14.50	16.40	162
N95MCLX, N95MCLT N95MCRX, N95MCRTX	Back	1.70	2.50	3.00	3.00	31
	Extreme	2.60	2.80	3.00	3.00	50.50
	Back Accent	1.00	1.00	1.20	1.10	6
	Seat	3.00	5.30	6.10	6.80	58
	Seat Accent	1.00	1.00	1.20	1.30	17
	Arm	1.50	1.50	2.00	2.00	27
N95MCX	Back	1.70	2.50	3.00	3.00	31
	Extreme	2.60	2.80	3.00	3.00	50.50
	Back Accent	1.00	1.00	1.20	1.10	6
	Seat	3.00	5.30	6.10	6.80	58
	Seat Accent	1.00	1.00	1.20	1.30	17
N95MH		2.60	3.30	4.10	5.00	52
N95MHX	Back	0.90	1.00	1.10	1.00	17
	Extreme	1.00	1.00	1.20	1.10	10.50
	Back Accent	1.00	1.00	1.20	1.10	6
	Seat	1.40	1.40	1.70	1.80	26.50
	Seat Accent	1.00	1.00	1.20	1.30	17
N95MHA		2.60	3.40	4.10	4.40	52
N95MHAX	Back	0.90	1.00	1.10	1.00	17
	Extreme	1.00	1.00	1.20	1.10	10.50
	Back Accent	1.00	1.00	1.20	1.10	6
	Seat	1.50	1.60	1.70	1.80	28
	Seat Accent	1.00	1.00	1.20	1.30	17
N95MJ		3.30	3.70	5.00	5.20	66
N95MJX	Back	1.00	1.00	1.20	1.00	17
	Extreme	1.00	1.00	1.20	1.10	12.50
	Back Accent	1.00	1.00	1.20	1.10	6
	Seat	1.50	1.60	1.70	1.80	29
	Seat Accent	1.00	1.00	1.20	1.30	17
N95MJA		2.50	3.30	3.70	4.40	50

SWIFT

COM YARDAGE REQUIREMENTS

COM YARDAGE REQUIREMENTS (54" WIDTH – CUT UP THE ROLL)

MODEL	RAILROADED Contact customer service 800-634-9510 for ydg requirements	NON DIRECTIONAL OR SOLID	1"-4" REPEAT	5"-11" REPEAT	12"-18" REPEAT	COL SQUARE FEET
			4" VERTICAL X 4" HORIZONTAL	11" VERTICAL X 11" HORIZONTAL	18" VERTICAL X 18" HORIZONTAL	
N95MJAX	Back	0.90	0.90	1.10	1.00	15
	Extreme	1.00	1.00	1.20	1.10	4.50
	Back Accent	1.00	1.00	1.20	1.10	6
	Seat	1.50	1.60	1.70	3.30	28
	Seat Accent	1.00	1.00	1.20	1.30	17
N95MK		4.10	4.40	6.60	7.10	82
N95MKX	Back	1.70	1.70	2.00	2.00	31
	Extreme	1.80	1.90	2.10	2.10	34
	Back Accent	1.00	1.00	1.20	1.10	6
	Seat	1.40	1.50	1.70	1.80	26.50
	Seat Accent	1.00	1.00	1.20	1.30	17
N95MKA		3.40	3.70	4.60	6.00	68
N95MKAX	Back	0.90	1.00	1.10	1.00	15
	Extreme	1.00	1.00	1.20	1.10	6
	Back Accent	1.00	1.00	1.20	1.30	17
	Seat	2.00	2.20	2.60	4.70	39
	Seat Accent	1.00	1.00	1.20	1.30	17
N95MKATP	Complete	8.90	9.30	11.20	11.80	176
N95MKATPX	Back	3.30	3.50	3.90	5.10	64.50
	Extreme	1.00	1.00	1.20	1.10	6
	Back Accent	1.00	1.00	1.20	1.30	17
	Seat	4.90	5.20	5.70	6.30	96.50
	Seat Accent	1.00	1.00	1.20	1.30	17
N95MKTP	Complete	6.80	7.40	8.80	10.10	134
N95MKTPX	Back	3.80	4.00	5.00	5.10	75
	Extreme	1.80	1.90	2.10	2.10	34
	Back Accent	1.00	1.00	1.20	1.10	6
	Seat	2.70	2.80	3.00	3.60	53.50
	Seat Accent	1.00	1.00	1.20	1.30	17
N95DDTP	Complete	3.50	3.75	4.00	4.25	69.50
N95DDTPX	Seat	2.50	2.50	2.75	3.20	49.50
	Seat Accent	1.20	1.25	1.50	2.25	22.50
N95EETP	Complete	5.90	6.00	6.40	6.70	116.25
N95EETPX	Seat	4.90	5.00	5.20	5.70	96.30
	Seat Accent	1.20	1.25	1.50	2.25	22.50
N95GGTP	Complete	8.20	8.50	8.90	9.20	163.50
N95GGTPX	Seat	7.20	7.50	7.60	8.20	143.50
	Seat Accent	1.20	1.25	1.50	2.25	22.50

SWIFT

