
Tellaro

Product Specifications	622
Fabrics and Options	623
Contrasting Fabrics Specifications	624
Product Pages	625
COM Yardage Requirements	628

TELLARO

TELLARO PRODUCT SPECIFICATIONS

FRAME CONSTRUCTION

- Interior frame is constructed of plywood with tenon joints that are glued and screwed for maximum joint stability
- Separate interior components are joined with bolts
- Nylon ¾" adjustable leveling glide

SEAT CONSTRUCTION

- Seat cushions are tethered and feature 6" of high grade polyurethane foam, custom shaped and fabricated
- Black denim and ¼" felt insulator cover high tension strip webbing for comfort

BACK CONSTRUCTION

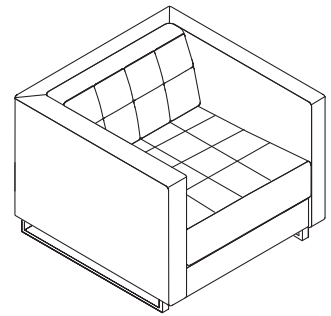
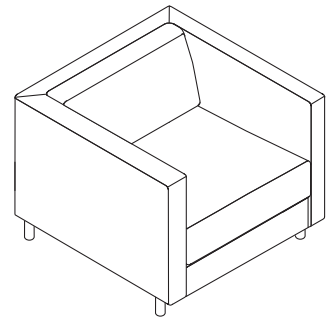
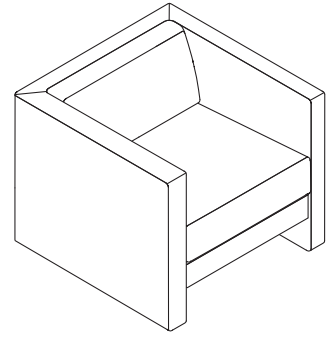
- 4½" of high grade polyurethane foam custom shaped and fabricated covers a plywood panel
- Panel is securely fastened to interior back frame with screws

ARM CONSTRUCTION

- Arms are wrapped with ½" of high grade polyurethane foam custom shaped, fabricated and slip-covered
- Arms are connected to seat and wall frame using 5 bolts per arm

LEGS

- Metal cylinder legs offered in Concrete, Cinder, Iron, Polished, Platinum Metallic, and Satin Nickel Metallic
- Metal U-legs offered in Cinder, Polished, Platinum Metallic, and Satin Nickel Metallic



SURFACE MATERIALS

See the Kimball Hospitality Surface Materials Reference Guide at kimballhospitality.com for a complete overview of our materials program, including:

- Characteristics of wood
- Special wood finishes
- Customer-specified laminate (CSL)
- Customer-specified paint (CSP)
- Fabric application and colorways
- Customer's own material (COM) process overview
- Alliance program

ALLIANCE FABRIC PROGRAM

Kimball Hospitality has analyzed each model to most accurately reflect the COM/COL yardage requirements shown on page 628.

The yardage requirement for each model is based on 54" W fabric and cutting the fabric up the roll.

If repeat is larger than 18", contact Customer Service to confirm the correct amount of yardage required. When ordering 10 or more chairs in the same COM, yardage requirements may be reduced.

Contact Customer Service.

PRICE GRADES A-R

See Surface Materials at www.kimballhospitality.com for a wide variety of graded-in fabrics from Arc-Com, CF Stinson, Designtex, Maharam, Momentum, and Ultrafabrics.

FABRIC SAMPLES

If you need samples for presentation(s), contact our alliance partners directly at:

Arc-Com	800.223.5466	arc-com.com
Designtex	800.221.1540	designtex.com
CF Stinson	800.841.6279	cfstinson.com
Maharam	800.645.3943	maharam.com
Momentum	800.366.6839	memosamples.com
Ultrafabrics	877.309.6648	ultrafabricsllc.com

METAL LEG COLORS

265	Polished
423	Concrete
462	Cinder
463	Iron
501	Platinum Metallic
503	Satin Nickel Metallic

WOOD LEG COLORS

AC	Autumn
AD	Almond
CL	Caramel
CW	Cordovan
DW	Judicial
HN	Honey
IM	Brighton
MC	Amber
MH	Mocha
NM	Natural
PB	Portobello
PT	Portico
SK	Skyline
SM	Sonoma
TF	Truffle
405	Designer White
462	Cinder
792	Sable
793	Acorn*

*Acorn is the finish complement to Clear Walnut finish

TO ORDER CONTRASTING FABRIC, SPECIFY

TELLARO

1 Seat Lounge page 625

1 Seat Lounge Cylinder Leg page 625

1 Seat Lounge U-Leg Metal page 625

1 Seat Lounge U-Leg Wood page 625

2½ Seat Lounge page 626

2½ Seat Lounge Cylinder Leg page 626

2½ Seat Lounge U-Leg Metal page 626

2½ Seat Lounge U-Leg Wood page 626

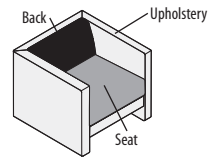
4 Seat Lounge page 627

4 Seat Lounge Cylinder Leg page 627

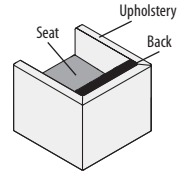
4 Seat Lounge U-Leg Metal page 627

4 Seat Lounge U-Leg Wood page 627

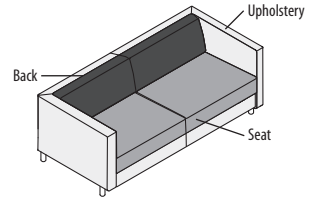
1. Model Number plus "X"
2. Back Fabric Grade Number/Cover Number
3. Seat Fabric Grade Number/Cover Number
4. Upholstery Fabric Grade Number/Cover Number



Contrasting Upholstery
Front View



Contrasting Upholstery
Back View



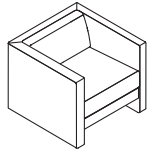
Contrasting Upholstery
Front View

TO ORDER, SPECIFY:

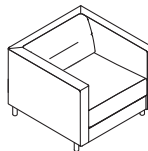
1. Model Number
2. Fabric Grade / Cover Number
3. Metal / Wood Leg Finish

- See page 623 for Tellaro options
- See pages 628-629 for COM fabric yardage

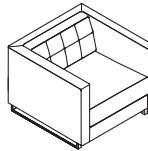
1 SEAT LOUNGE



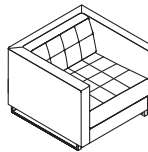
Fully Upholstered Leg
Non-Tufted



Cylinder Leg
Horizon Back Stitch



U-Leg Wood
Tufted Back



U-Leg Metal
Tufted Seat and Back

MODEL NO.

ALLIANCE PROGRAM PRICE GRADES

			A	B	C	D	E	F	G	H	I
			J	K	L	M	N	O	P	Q	R
FULLY UPHOLSTERED LEG											
N74M1A	Non-Tufted	\$	1991	2139	2255	2381	2519	2667	2783	2931	3085
			3228	3465	3938	4229	4383	4543	4691	4845	4988
N74M1AT	Sewn-Tufted Back and Seat		2275	2459	2601	2758	2928	3111	3254	3438	3628
			3805	4097	4682	5043	5233	5430	5614	5804	5981
N74M1ATB	Sewn-Tufted Back		2135	2302	2433	2575	2730	2898	3028	3195	3369
			3530	3797	4330	4658	4832	5012	5179	5353	5514
N74M1AS	Horizon Back Stitch		2104	2252	2368	2494	2632	2780	2896	3044	3198
			3341	3578	4051	4342	4496	4656	4804	4958	5101
CYLINDER LEG											
N74M1AC	Non-Tufted	\$	2227	2355	2455	2564	2683	2811	2911	3039	3172
			3296	3500	3908	4160	4293	4431	4559	4692	4816
N74M1ATC	Sewn-Tufted Back and Seat		2509	2671	2797	2935	3085	3247	3373	3535	3703
			3859	4117	4633	4951	5119	5293	5455	5623	5779
N74M1ATBC	Sewn-Tufted Back		2375	2523	2639	2765	2903	3051	3167	3315	3469
			3612	3849	4322	4613	4767	4927	5075	5229	5372
N74M1ASC	Horizon Back Stitch		2341	2469	2569	2678	2797	2925	3025	3153	3286
			3410	3614	4022	4274	4407	4545	4673	4806	4930
U-LEG WOOD											
N74M1AUW	Non-Tufted	\$	2444	2572	2672	2781	2900	3028	3128	3256	3389
			3513	3717	4125	4377	4510	4648	4776	4909	5033
N74M1ATUW	Sewn-Tufted Back and Seat		2725	2887	3013	3151	3301	3463	3589	3751	3919
			4075	4333	4849	5167	5335	5509	5671	5839	5995
N74M1ATBUW	Sewn-Tufted Back		2591	2739	2855	2981	3119	3267	3383	3531	3685
			3828	4065	4538	4829	4983	5143	5291	5445	5588
N74M1ASUW	Horizon Back Stitch		2557	2685	2785	2894	3013	3141	3241	3369	3502
			3626	3830	4238	4490	4623	4761	4889	5022	5146
U-LEG METAL											
N74M1AUM	Non-Tufted	\$	2498	2626	2726	2835	2954	3082	3182	3310	3443
			3567	3771	4179	4431	4564	4702	4830	4963	5087
N74M1ATUM	Sewn-Tufted Back and Seat		2780	2942	3068	3206	3356	3518	3644	3806	3974
			4130	4388	4904	5222	5390	5564	5726	5894	6050
N74M1ATBUM	Sewn-Tufted Back		2645	2793	2909	3035	3173	3321	3437	3585	3739
			3882	4119	4592	4883	5037	5197	5345	5499	5642
N74M1ASUM	Horizon Back Stitch		2611	2739	2839	2948	3067	3195	3295	3423	3556
			3680	3884	4292	4544	4677	4815	4943	5076	5200

DIMENSIONS

Width	30%	Seat Width	24	Weight	83
Depth	32%	Seat Depth	21½	Cubic Ft.	23.5
Height	26%	Seat Height	16%		

- Contrasting fabric option - specify X (i.e. N74M1AX); see page 624. For list pricing, use your electronic specification tool or contact customer service
- Sewn tufted detail on stripes and large patterns are not recommended, as the fabric will appear distorted or wavy across the back and seat

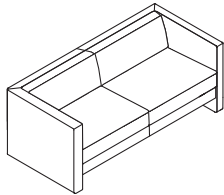
TELLARO

TO ORDER, SPECIFY:

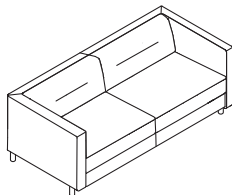
1. Model Number
2. Fabric Grade / Cover Number
3. Metal / Wood Leg Finish

- See page 623 for Tellaro options
- See pages 628-629 for COM fabric yardage

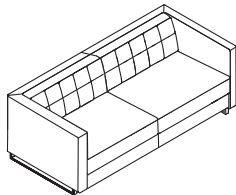
2½ SEAT LOUNGE



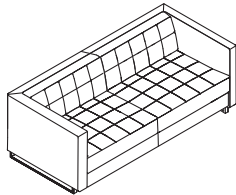
Fully Upholstered Leg
Non-Tufted



Cylinder Leg
Horizon Back Stitch



U-Leg Wood
Tufted Back



U-Leg Metal
Tufted Seat and Back

MODEL NO.

ALLIANCE PROGRAM PRICE GRADES

		A	B	C	D	E	F	G	H	I
		J	K	L	M	N	O	P	Q	R
FULLY UPHOLSTERED LEG										
N74M2A	Non-Tufted	\$ 3226	3474	3668	3879	4109	4358	4551	4799	5057
		5296	5692	6483	6970	7228	7495	7743	8001	8240
N74M2AT	Sewn-Tufted Back and Seat	3631	3919	4144	4390	4658	4947	5171	5460	5760
		6038	6498	7418	7985	8285	8595	8884	9184	9462
N74M2ATB	Sewn-Tufted Back	3413	3672	3874	4095	4335	4594	4795	5055	5323
		5573	5986	6811	7320	7589	7867	8127	8395	8645
N74M2AS	Horizon Back Stitch	3395	3643	3837	4048	4278	4527	4720	4968	5226
		5465	5861	6652	7139	7397	7664	7912	8170	8409
CYLINDER LEG										
N74M2AC	Non-Tufted	\$ 3470	3702	3883	4081	4296	4528	4708	4941	5181
		5405	5775	6514	6970	7211	7460	7693	7933	8157
N74M2ATC	Sewn-Tufted Back and Seat	3870	4140	4350	4580	4830	5100	5310	5580	5860
		6120	6550	7410	7940	8220	8510	8780	9060	9320
N74M2ATBC	Sewn-Tufted Back	3679	3935	4135	4353	4591	4847	5047	5303	5569
		5816	6225	7042	7545	7811	8087	8343	8609	8856
N74M2ASC	Horizon Back Stitch	3638	3870	4051	4249	4464	4696	4876	5109	5349
		5573	5943	6682	7138	7379	7628	7861	8101	8325
U-LEG WOOD										
N74M2AUW	Non-Tufted	\$ 3686	3918	4099	4297	4512	4744	4924	5157	5397
		5621	5991	6730	7186	7427	7676	7909	8149	8373
N74M2ATUW	Sewn-Tufted Back and Seat	4086	4356	4566	4796	5046	5316	5526	5796	6076
		6336	6766	7626	8156	8436	8726	8996	9276	9536
N74M2ATBUW	Sewn-Tufted Back	3895	4151	4351	4569	4807	5063	5263	5519	5785
		6032	6441	7258	7761	8027	8303	8559	8825	9072
N74M2ASUW	Horizon Back Stitch	3854	4086	4267	4465	4680	4912	5092	5325	5565
		5789	6159	6898	7354	7595	7844	8077	8317	8541
U-LEG METAL										
N74M2AUM	Non-Tufted	\$ 3740	3972	4153	4351	4566	4798	4978	5211	5451
		5675	6045	6784	7240	7481	7730	7963	8203	8427
N74M2ATUM	Sewn-Tufted Back and Seat	4140	4410	4620	4850	5100	5370	5580	5850	6130
		6390	6820	7680	8210	8490	8780	9050	9330	9590
N74M2ATBUM	Sewn-Tufted Back	3949	4205	4405	4623	4861	5117	5317	5573	5839
		6086	6495	7312	7815	8081	8357	8613	8879	9126
N74M2ASUM	Horizon Back Stitch	3908	4140	4321	4519	4734	4966	5146	5379	5619
		5843	6213	6952	7408	7649	7898	8131	8371	8595

DIMENSIONS

Width	67%	Seat Width	60	Weight	135
Depth	32%	Seat Depth	21½	Cubic Ft.	49.1
Height	26%	Seat Height	16%		

- Contrasting fabric option - specify X (i.e. N74M2AX); see page 624. For list pricing, use your electronic specification tool or contact customer service
- Sewn tufted detail on stripes and large patterns are not recommended, as the fabric will appear distorted or wavy across the back and seat

TO ORDER, SPECIFY:

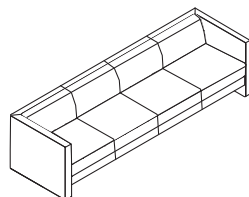
1. Model Number
2. Fabric Grade / Cover Number
3. Metal / Wood Leg Finish

- See page 623 for Tellaro options
- See pages 628-629 for COM fabric yardage

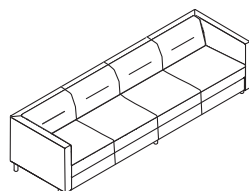
4 SEAT LOUNGE

MODEL NO.

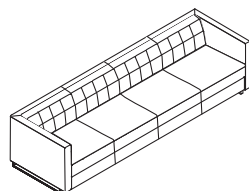
ALLIANCE PROGRAM PRICE GRADES



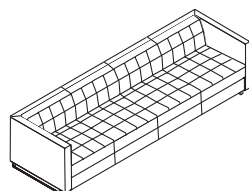
Fully Upholstered Leg
Non-Tufted



Cylinder Leg
Horizon Back Stitch



U-Leg Wood
Tufted Back



U-Leg Metal
Tufted Seat and Back

		A	B	C	D	E	F	G	H	I
		J	K	L	M	N	O	P	Q	R
FULLY UPHOLSTERED LEG										
N74M4A	Non-Tufted	\$ 4684	4997	5241	5508	5798	6111	6354	6668	6992
		7294	7793	8790	9405	9730	10066	10380	10704	11006
N74M4AT	Sewn-Tufted Back and Seat	5350	5793	6137	6514	6924	7367	7712	8154	8614
		9040	9745	11156	12025	12484	12960	13402	13862	14288
N74M4ATB	Sewn-Tufted Back	5028	5413	5712	6040	6396	6781	7080	7465	7864
		8235	8847	10073	10828	11227	11640	12025	12424	12795
N74M4AS	Horizon Back Stitch	4909	5222	5466	5733	6023	6336	6579	6893	7217
		7519	8018	9015	9630	9955	10291	10605	10929	11231
CYLINDER LEG										
N74M4AC	Non-Tufted	\$ 4951	5196	5387	5597	5824	6070	6261	6507	6761
		6998	7389	8172	8654	8909	9173	9419	9673	9910
N74M4ATC	Sewn-Tufted Back and Seat	5617	5992	6284	6603	6951	7326	7618	7993	8383
		8744	9342	10537	11274	11663	12066	12441	12831	13192
N74M4ATBC	Sewn-Tufted Back	5296	5615	5862	6134	6429	6747	6995	7314	7644
		7951	8458	9473	10099	10429	10771	11090	11420	11727
N74M4ASC	Horizon Back Stitch	5175	5420	5611	5821	6048	6294	6485	6731	6985
		7222	7613	8396	8878	9133	9397	9643	9897	10134
U-LEG WOOD										
N74M4AUW	Non-Tufted	\$ 5113	5358	5549	5759	5986	6232	6423	6669	6923
		7160	7551	8334	8816	9071	9335	9581	9835	10072
N74M4ATUW	Sewn-Tufted Back and Seat	5779	6154	6446	6765	7113	7488	7780	8155	8545
		8906	9504	10699	11436	11825	12228	12603	12993	13354
N74M4ATBUW	Sewn-Tufted Back	5459	5778	6025	6297	6592	6910	7158	7477	7807
		8114	8621	9636	10262	10592	10934	11253	11583	11890
N74M4ASUW	Horizon Back Stitch	5338	5583	5774	5984	6211	6457	6648	6894	7148
		7385	7776	8559	9041	9296	9560	9806	10060	10297
U-LEG METAL										
N74M4AUM	Non-Tufted	\$ 5167	5412	5603	5813	6040	6286	6477	6723	6977
		7214	7605	8388	8870	9125	9389	9635	9889	10126
N74M4ATUM	Sewn-Tufted Back and Seat	5833	6208	6500	6819	7167	7542	7834	8209	8599
		8960	9558	10753	11490	11879	12282	12657	13047	13408
N74M4ATBUM	Sewn-Tufted Back	5513	5832	6079	6351	6646	6964	7212	7531	7861
		8168	8675	9690	10316	10646	10988	11307	11637	11944
N74M4ASUM	Horizon Back Stitch	5392	5637	5828	6038	6265	6511	6702	6948	7202
		7439	7830	8613	9095	9350	9614	9860	10114	10351

DIMENSIONS

Width	103½"	Seat Width	96½"	Weight	202.4
Depth	32"	Seat Depth	21½"	Cubic Ft.	74.8
Height	26"	Seat Height	16"		

- Contrasting fabric option - specify X (i.e. N74M4AX); see page 624. For list pricing, use your electronic specification tool or contact customer service
- Sewn tufted detail on stripes and large patterns are not recommended, as the fabric will appear distorted or wavy across the back and seat

COM YARDAGE REQUIREMENTS

COM YARDAGE REQUIREMENTS (54" WIDTH – CUT UP THE ROLL)

MODEL	RAILROADED Contact customer service 800-634-9510 for ydg requirements	NON DIRECTIONAL OR SOLID	1"-4" REPEAT	5"-11" REPEAT	12"-18" REPEAT	COL SQUARE FEET
			4" VERTICAL X 4" HORIZONTAL	11" VERTICAL X 11" HORIZONTAL	18" VERTICAL X 18" HORIZONTAL	
N74M1A		5.60	7.00	8.20	9.40	111
N74M1AX	Back	0.70	1.00	1.50	2.30	14
	Seat	0.80	1.50	2.00	2.90	16
	Upholstery	4.50	4.90	5.60	8.40	90
N74M1AT		6.80	8.00	9.00	10.20	136
N74M1ATX	Back	1.20	1.70	2.00	2.90	23
	Seat	1.40	1.70	2.50	3.30	27
	Upholstery	4.50	4.90	5.60	8.40	90
N74M1ATB		6.20	7.80	8.90	10.00	124
N74M1ATBX	Back	1.20	1.70	2.00	2.90	23
	Seat	0.80	1.50	2.00	2.90	16
	Upholstery	4.50	4.90	5.60	8.40	90
N74M1AUW, N74M1AC, N74M1AUM		4.80	6.50	8.00	9.50	94.7
N74M1AUWX, N74M1ACX, N74M1AUMX	Back	0.70	1.00	1.50	2.30	14
	Seat	0.80	1.50	2.00	2.90	16
	Upholstery	3.80	4.50	5.50	7.00	74.8
N74M1ATUW, N74M1ATC, N74M1ATUM		6.00	7.00	9.00	10.50	119
N74M1ATUWX, N74M1ATCX, N74M1ATUMX	Back	1.20	1.70	2.00	2.90	23
	Seat	1.40	1.70	2.50	3.30	27
	Upholstery	3.80	4.50	5.50	7.00	74.8
N74M1ATBUW, N74M1ATBC, N74M1ATBUM		5.50	7.00	8.50	10.00	109.1
N74M1ATBUWX, N74M1ATBCX, N74M1ATBUMX	Back	1.20	1.70	2.00	2.90	23
	Seat	0.80	1.50	2.00	2.90	16
	Upholstery	3.80	4.50	5.50	7.00	74.8
N74M1ASUW, N74M1ASC, N74M1ASUM		4.80	6.50	7.80	9.00	94.1
N74M1ASUWX, N74M1ASCX, N74M1ASUMX	Back	0.80	1.00	1.50	1.80	15.5
	Seat	0.80	1.50	2.00	2.90	16
	Upholstery	3.80	4.50	5.50	7.00	74.8
N74M1AS		5.50	7.00	8.50	9.00	108.5
N74M1SAX	Back	0.80	1.00	1.50	1.80	15.5
	Seat	0.80	1.50	2.00	2.90	16
	Upholstery	4.50	4.90	5.60	8.40	90
N74M2A		9.50	10.50	12.90	14.50	189
N74M2AX	Back	1.60	1.90	2.50	4.90	31
	Seat	2.40	2.90	4.00	4.90	48
	Upholstery	5.80	6.50	7.20	8.70	115
N74M2AT		11.00	12.00	14.00	16.50	219
N74M2ATX	Back	2.70	3.00	3.90	5.90	53
	Seat	2.80	3.30	4.30	5.80	55
	Upholstery	5.80	6.50	7.20	8.70	115
N74M2ATB		10.60	11.90	14.00	16.00	211
N74M2ATBX	Back	2.70	3.00	3.90	5.90	53
	Seat	2.40	2.90	4.00	4.90	48
	Upholstery	5.80	6.50	7.20	8.70	115
N74M2AUW, N74M2AC, N74M2AUM		8.60	10.00	12.00	15.00	171.1
N74M2AUWX, N74M2ACX, N74M2AUMX	Back	1.60	1.90	2.50	4.90	31
	Seat	2.40	2.90	4.00	4.90	48
	Upholstery	4.90	5.50	7.00	10.00	95.8
N74M2ATUW, N74M2ATC, N74M2ATUM		10.00	11.50	14.00	16.50	199.3
N74M2ATUWX, N74M2ATCX, N74M2ATUMX	Back	2.70	3.00	3.90	5.90	53
	Seat	2.80	3.30	4.30	5.80	55
	Upholstery	4.90	5.50	7.00	10.00	95.8
N74M2ATBUW, N74M2ATBC, N74M2ATBUM		9.60	11.00	13.00	15.50	190.4

COM YARDAGE REQUIREMENTS

COM YARDAGE REQUIREMENTS (54" WIDTH – CUT UP THE ROLL)

MODEL	RAILROADED Contact customer service 800-634-9510 for ydg requirements	NON DIRECTIONAL OR SOLID	1"-4" REPEAT	5"-11" REPEAT	12"-18" REPEAT	COL SQUARE FEET
			4" VERTICAL X 4" HORIZONTAL	11" VERTICAL X 11" HORIZONTAL	18" VERTICAL X 18" HORIZONTAL	
N74M2ATBUWX, N74M2ATBCX, N74M2ATBUMX	Back	2.70	3.00	3.90	5.90	53.0
	Seat	2.40	2.90	4.00	4.90	48.0
	Upholstery	4.90	5.50	7.00	10.00	95.8
N74M2ASUW, N74M2ASC, N74M2ASUM		8.40	10.00	11.50	13.50	167.2
N74M2ASUWX, N74M2ASCX, N74M2ASUMX	Back	1.50	2.00	2.50	4.00	29.9
	Seat	2.40	2.90	4.00	4.90	48.0
	Upholstery	4.90	5.50	7.00	10.00	95.8
N74M2AS		9.50	11.00	13.00	14.00	188.8
N74M2ASX	Back	1.50	2.00	2.50	4.00	29.9
	Seat	2.40	2.90	4.00	4.90	48.0
	Upholstery	5.80	6.50	7.20	8.70	115.0
N74M4A		10.00	17.00	21.00	25.20	198
N74M4AX	Back	2.10	3.30	4.40	6.70	42
	Seat	2.80	4.60	7.50	9.00	56
	Upholstery	6.60	9.00	10.20	10.80	132
N74M4AT		14.90	20.40	23.80	29.00	297
N74M4ATX	Back	4.40	5.50	7.00	9.00	88
	Seat	4.90	6.00	8.00	10.80	97
	Upholstery	6.60	9.00	10.20	10.80	132
N74M4ATB		12.80	19.30	23.70	27.00	255
N74M4ATBX	Back	4.40	5.50	7.00	9.00	88
	Seat	2.80	4.60	7.50	9.00	56
	Upholstery	6.60	9.00	10.20	10.80	132
N74M4AUW, N74M4AC, N74M4AUM		9.10	16.00	20.50	25.00	179.9
N74M4AUWX, N74M4ACX, N74M4AUMX	Back	2.10	3.30	4.40	6.70	42.0
	Seat	2.80	4.60	7.50	9.00	56.0
	Upholstery	5.50	8.00	10.00	12.00	109.6
N74M4ATUW, N74M4ATC, N74M4ATUM		14.00	19.00	24.00	28.50	277.3
N74M4ATUWX, N74M4ATCX, N74M4ATUMX	Back	4.40	5.50	7.00	9.00	88.0
	Seat	4.90	6.00	8.00	10.80	97.0
	Upholstery	5.50	8.00	10.00	12.00	109.6
N74M4ATBUW, N74M4ATBC, N74M4ATBUM		11.90	18.50	23.50	25.00	235.3
N74M4ATBUWX, N74M4ATBCX, N74M4ATBUMX	Back	4.40	5.50	7.00	9.00	88.0
	Seat	2.80	4.60	7.50	9.00	56.0
	Upholstery	5.50	8.00	10.00	12.00	109.6
N74M4ASUW, N74M4ASC, N74M4ASUM		8.90	15.50	19.00	22.00	176.0
N74M4ASUWX, N74M4ASCX, N74M4ASUMX	Back	2.20	3.50	4.30	5.00	43.2
	Seat	2.80	4.60	7.50	9.00	56.0
	Upholstery	5.50	8.00	10.00	12.00	109.6
N74M4AS		10.00	17.00	21.00	22.00	197.6
N74M4ASX	Back	2.20	3.50	4.30	5.00	43.2
	Seat	2.80	4.60	7.50	9.00	56.0
	Upholstery	6.60	9.00	10.20	10.80	132.0

