

---

# Shore

Product Specifications	540
Fabrics and Options	541
Contrasting Fabrics Specifications	542
Product Pages	543
COM Yardage Requirements	544

# SHORE

---

## SHORE PRODUCT SPECIFICATIONS

### SEAT CONSTRUCTION

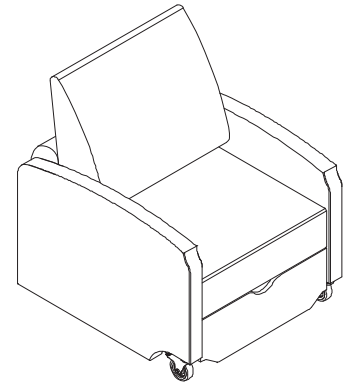
- Enclosed mechanism
- Integrated handle
- Locking, directional, front casters
- Moisture barrier is available on the seat and inside back; upcharge applies
- 80" sleep surface

### ARMS

- Arm caps are available in beech wood, polyurethane, 3D laminate, or solid surface. EOS<sup>CU</sup> (Cupron-enhanced EOS) biocidal solid surface arm caps are optional on solid surface arm cap model; upcharge applies

### CONTRASTING FABRICS

- Contrasting fabric may be specified on back, seat, and arms/frame fabric



## SURFACE MATERIALS

See the Kimball Hospitality Surface Materials Reference Guide at [kimballhospitality.com](http://kimballhospitality.com) for a complete overview of our materials program, including:

- Characteristics of wood
- Special wood finishes
- Customer specified laminate (CSL)
- Customer specified paint (CSP)
- Fabric application and colorways
- Customer's own material (COM) process overview
- Alliance program

### ALLIANCE FABRIC PROGRAM

Kimball Hospitality has analyzed each model to most accurately reflect the COM/COL yardage requirements shown on page 544.

The yardage requirement for each model is based on 54" wide fabric and cutting the fabric up the roll.

If repeat is larger than 18", contact Customer Service to confirm the correct amount of yardage required. When ordering 10 or more chairs in the same COM, yardage requirements may be reduced.

Contact Customer Service.

### PRICE GRADES A-R

See Surface Materials at [www.kimballhospitality.com](http://www.kimballhospitality.com) for a wide variety of graded-in fabrics from Arc-Com, CF Stinson, Designtex, Maharam, Momentum, and Ultrafabrics.

### FABRIC SAMPLES

If you need samples for presentation(s), contact our alliance partners directly at:

Arc-Com	800.223.5466	<a href="http://arc-com.com">arc-com.com</a>
Designtex	800.221.1540	<a href="http://designtex.com">designtex.com</a>
CF Stinson	800.841.6279	<a href="http://cfstinson.com">cfstinson.com</a>
Maharam	800.645.3943	<a href="http://maharam.com">maharam.com</a>
Momentum	800.366.6839	<a href="http://memosamples.com">memosamples.com</a>
Ultrafabrics	877.309.6648	<a href="http://ultrafabricsllc.com">ultrafabricsllc.com</a>

## ARM CAPS

### 3D LAMINATE

#### WOODGRAIN

MC	Amber Cherry
MH	Mocha Cherry
CO	Canyon Straight Grain
DF	Driftwood Straight Grain
YO	Monterey Straight Grain
NW	Tuscan Straight Grain

### POLYURETHANE

495	Beige
462	Cinder
496	Grey

### SOLID SURFACE

#### STANDARD

405	Designer White
-----	----------------

#### PREMIUM\*

495	EOS <sup>CU</sup> Beige
496	EOS <sup>CU</sup> Grey

\*\$669 Upcharge applies

### WOOD

AD	Almond	MH	Mocha
MC	Amber	YO	Monterey
IM	Brighton	PB	Portobello
CO	Canyon	792	Sable
CC	Cordoba	SC	Sedona
DF	Driftwood	TW	Tribeca
ES	Espresso	NW	Tuscan
TM	Huntington	UW	Urban
MW	Midtown		

## MOISTURE BARRIER

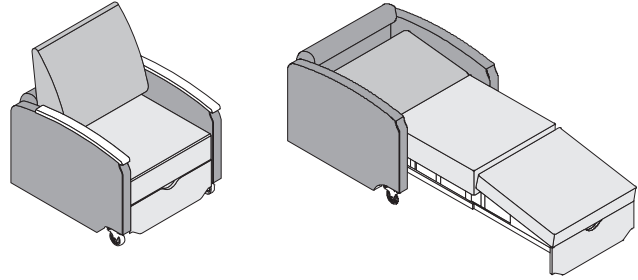
X	None
MB2	Seat and inside back (\$203 upcharge)

## TO ORDER CONTRASTING FABRIC, SPECIFY

---

### SHORE Sleepers page 543

1. Model Number plus "X"
2. Back Fabric Grade
3. Back Fabric Number
4. Seat Fabric Grade
5. Seat Fabric number
6. Arms/Frame (Primary) Fabric Grade
7. Arms/Frame (Primary) Fabric Number
8. Arm Cap Designator (if applicable)
9. Moisture Barrier Optional for Seat and Inside Back



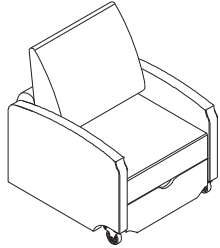
Contrasting fabric may be specified on back, seat, and arms/frame

**TO ORDER, SPECIFY:**

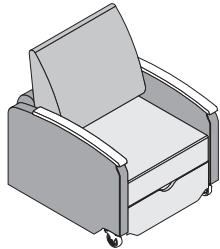
1. Model Number
2. Back Fabric Grade
3. Back Fabric Number
4. Seat Fabric Grade
5. Seat Fabric number
6. Arms/Frame (Primary) Fabric Grade
7. Arms/Frame (Primary) Fabric Number
8. Arm Cap Designator (if applicable)
9. Moisture Barrier Optional for Seat and Inside Back

- See page 541 for Shore options
- See page 544 for COM fabric yardage

**SLEEPER**



No Arm Caps



Arm Caps

**MODEL NO.**

**ALLIANCE PROGRAM PRICE GRADES**

		A	B	C	D	E	F	G	H	I
		J	K	L	M	N	O	P	Q	R
K69S1	No Arm Caps	\$ 4531	4681	4795	4912	5033	5176	5264	5418	5550
		5686	5906	6346	6621	6683	6731	6804	6870	7171
K69S1ACP	Polyurethane Arm Caps	4646	4796	4910	5027	5148	5291	5379	5533	5665
		5801	6021	6461	6736	6798	6846	6919	6985	7286
K69S1ACW	Wood Arm Caps	4763	4913	5027	5144	5265	5408	5496	5650	5782
		5918	6138	6578	6853	6915	6963	7036	7102	7403
K69S1ACT	3D Laminate Arm Caps	4861	5011	5125	5242	5363	5506	5594	5748	5880
		6016	6236	6676	6951	7013	7061	7134	7200	7501
K69S1ACS	Solid Surface Arm Caps	5491	5641	5755	5872	5993	6136	6224	6378	6510
		6646	6866	7306	7581	7643	7691	7764	7830	8131

**DIMENSIONS**

Width	34	Seat Height	17	Arm Height		Weight	195
Depth	38	Seat Depth	21	without Arm Caps	28	Cubic Ft.	49.30
Height	41	Seat Width	27½	with Arm Caps	28¾		
				Arm Extended	68		

- Contrasting fabric option – specify X (i.e., K69S1X); see page 542. For list pricing, use your electronic specification tool or contact customer service
- Enclosed mechanism
- Integrated handle
- Locking, directional, front casters
- Arm caps, if applicable: polyurethane, beech wood, 3D laminate, or solid surface
- 80" sleep surface

## COM YARDAGE REQUIREMENTS

### COM YARDAGE REQUIREMENTS (54" WIDTH – CUT UP THE ROLL)

MODEL	RAILROADED Contact customer service 800-634-9510 for ydg requirements	NON DIRECTIONAL OR SOLID	1"-4" REPEAT	5"-11" REPEAT	12"-18" REPEAT	COL SQUARE FEET
			4" VERTICAL X 4" HORIZONTAL	11" VERTICAL X 11" HORIZONTAL	18" VERTICAL X 18" HORIZONTAL	
K69S1, K69S1ACP,	Entire Unit	8.00	9.20	9.60	10.40	144
K69S1ACW, K69S1ACT,	Back	1.50	1.70	1.80	2.00	27
K69S1ACS	Seat	2.80	3.20	3.40	3.60	51
	Arms/Frame	4.30	4.90	5.20	5.60	77