
Tellaro

Product Specifications	628
Fabrics and Options	629
Contrasting Fabrics Specifications	630
Product Pages	631
COM Yardage Requirements	634

TELLARO

TELLARO PRODUCT SPECIFICATIONS

FRAME CONSTRUCTION

- Interior frame is constructed of plywood with tenon joints that are glued and screwed for maximum joint stability
- Separate interior components are joined with bolts
- Nylon ¾" adjustable leveling glide

SEAT CONSTRUCTION

- Seat cushions are tethered and feature 6" of high grade polyurethane foam, custom shaped and fabricated
- Black denim and ¼" felt insulator cover high tension strip webbing for comfort

BACK CONSTRUCTION

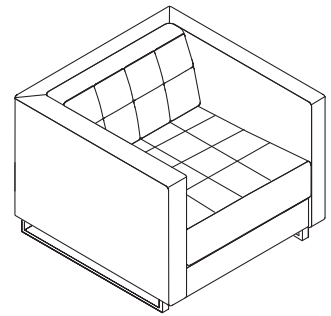
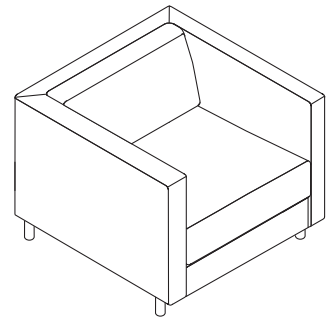
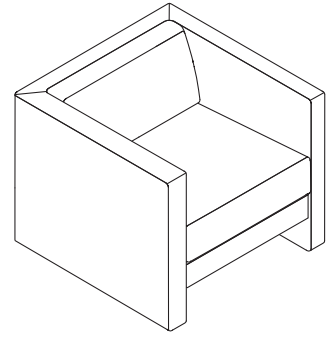
- 4½" of high grade polyurethane foam custom shaped and fabricated covers a plywood panel
- Panel is securely fastened to interior back frame with screws

ARM CONSTRUCTION

- Arms are wrapped with ½" of high grade polyurethane foam custom shaped, fabricated and slip-covered
- Arms are connected to seat and wall frame using 5 bolts per arm

LEGS

- Metal cylinder legs offered in Concrete, Cinder, Iron, Polished, Platinum Metallic, and Satin Nickel Metallic
- Metal U-legs offered in Cinder, Polished, Platinum Metallic, and Satin Nickel Metallic



SURFACE MATERIALS

See the Kimball Hospitality Surface Materials Reference Guide at kimballhospitality.com for a complete overview of our materials program, including:

- Characteristics of wood
- Special wood finishes
- Customer-specified laminate (CSL)
- Customer-specified paint (CSP)
- Fabric application and colorways
- Customer's own material (COM) process overview
- Alliance program

ALLIANCE FABRIC PROGRAM

Kimball Hospitality has analyzed each model to most accurately reflect the COM/COL yardage requirements shown on page 634.

The yardage requirement for each model is based on 54" W fabric and cutting the fabric up the roll.

If repeat is larger than 18", contact Customer Service to confirm the correct amount of yardage required. When ordering 10 or more chairs in the same COM, yardage requirements may be reduced.

Contact Customer Service.

PRICE GRADES A-R

See Surface Materials at www.kimballhospitality.com for a wide variety of graded-in fabrics from Arc-Com, Carnegie, CF Stinson, Designtex, Maharam, Mayer, Momentum, and Ultrafabrics.

FABRIC SAMPLES

If you need samples for presentation(s), contact our alliance partners directly at:

Arc-Com	800.223.5466	arc-com.com
Carnegie	800.727.6770	carnegiefabrics.com
CF Stinson	800.841.6279	cfstinson.com
Designtex	800.221.1540	designtex.com
Maharam	800.645.3943	maharam.com
Mayer	800.428.4415	mayerfabrics.com
Momentum	800.366.6839	memosamples.com
Ultrafabrics	877.309.6648	ultrafabricsllc.com

METAL LEG COLORS

265	Polished
423	Concrete
462	Cinder
463	Iron
501	Platinum Metallic
503	Satin Nickel Metallic

WOOD LEG COLORS

AC	Autumn
AD	Almond
BZ	Brazilwood
CI	Chai
CL	Caramel
CW	Cordovan
DW	Judicial
HN	Honey
IM	Brighton
KN	Kona
MC	Amber
MH	Mocha
NM	Natural
PB	Portobello
PC	Porcini
PT	Portico
SK	Skyline
SM	Sonoma
TF	Truffle
WL	Willow
405	Designer White
462	Cinder
792	Sable
793	Acorn*

*Acorn is the finish complement to Clear Walnut finish

TO ORDER CONTRASTING FABRIC, SPECIFY

TELLARO

1 Seat Lounge page 631

1 Seat Lounge Cylinder Leg page 631

1 Seat Lounge U-Leg Metal page 631

1 Seat Lounge U-Leg Wood page 631

2½ Seat Lounge page 632

2½ Seat Lounge Cylinder Leg page 632

2½ Seat Lounge U-Leg Metal page 632

2½ Seat Lounge U-Leg Wood page 632

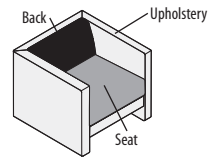
4 Seat Lounge page 633

4 Seat Lounge Cylinder Leg page 633

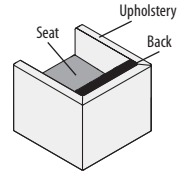
4 Seat Lounge U-Leg Metal page 633

4 Seat Lounge U-Leg Wood page 633

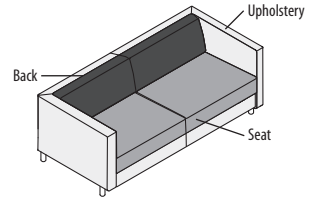
1. Model Number plus "X"
2. Back Fabric Grade Number/Cover Number
3. Seat Fabric Grade Number/Cover Number
4. Upholstery Fabric Grade Number/Cover Number



Contrasting Upholstery
Front View



Contrasting Upholstery
Back View



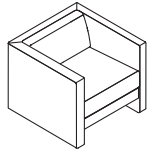
Contrasting Upholstery
Front View

TO ORDER, SPECIFY:

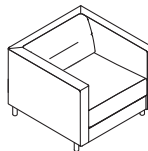
1. Model Number
2. Fabric Grade / Cover Number
3. Metal / Wood Leg Finish

- See page 629 for Tellaro options
- See pages 634-635 for COM fabric yardage

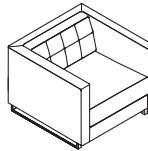
1 SEAT LOUNGE



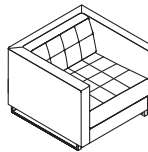
Fully Upholstered Leg
Non-Tufted



Cylinder Leg
Horizon Back Stitch



U-Leg Wood
Tufted Back



U-Leg Metal
Tufted Seat and Back

MODEL NO.

ALLIANCE PROGRAM PRICE GRADES

			A	B	C	D	E	F	G	H	I
			J	K	L	M	N	O	P	Q	R
FULLY UPHOLSTERED LEG											
N74M1A	Non-Tufted	\$	2641	2844	2998	3163	3345	3537	3697	3895	4093
			4296	4604	5231	5622	5825	6029	6232	6436	6628
N74M1AT	Sewn-Tufted Back and Seat		3016	3268	3458	3662	3887	4125	4322	4567	4811
			5063	5444	6219	6702	6953	7205	7457	7708	7946
N74M1ATB	Sewn-Tufted Back		2831	3060	3234	3420	3624	3841	4021	4244	4468
			4697	5044	5751	6191	6421	6650	6879	7109	7326
N74M1AS	Horizon Back Stitch		2790	2993	3147	3312	3494	3686	3846	4044	4242
			4445	4753	5380	5771	5974	6178	6381	6585	6777
CYLINDER LEG											
N74M1AC	Non-Tufted	\$	2954	3130	3263	3406	3562	3729	3866	4037	4208
			4384	4650	5192	5529	5705	5880	6056	6232	6398
N74M1ATC	Sewn-Tufted Back and Seat		3328	3550	3718	3898	4096	4306	4480	4696	4912
			5134	5470	6154	6580	6802	7024	7246	7468	7678
N74M1ATBC	Sewn-Tufted Back		3150	3353	3507	3672	3854	4046	4206	4404	4602
			4805	5113	5740	6131	6334	6538	6741	6945	7137
N74M1ASC	Horizon Back Stitch		3105	3281	3414	3557	3713	3880	4017	4188	4359
			4535	4801	5343	5680	5856	6031	6207	6383	6549
U-LEG WOOD											
N74M1AUW	Non-Tufted	\$	3242	3418	3551	3694	3850	4017	4154	4325	4496
			4672	4938	5480	5817	5993	6168	6344	6520	6686
N74M1ATUW	Sewn-Tufted Back and Seat		3616	3838	4006	4186	4384	4594	4768	4984	5200
			5422	5758	6442	6868	7090	7312	7534	7756	7966
N74M1ATBUW	Sewn-Tufted Back		3437	3640	3794	3959	4141	4333	4493	4691	4889
			5092	5400	6027	6418	6621	6825	7028	7232	7424
N74M1ASUW	Horizon Back Stitch		3392	3568	3701	3844	4000	4167	4304	4475	4646
			4822	5088	5630	5967	6143	6318	6494	6670	6836
U-LEG METAL											
N74M1AUM	Non-Tufted	\$	3314	3490	3623	3766	3922	4089	4226	4397	4568
			4744	5010	5552	5889	6065	6240	6416	6592	6758
N74M1ATUM	Sewn-Tufted Back and Seat		3688	3910	4078	4258	4456	4666	4840	5056	5272
			5494	5830	6514	6940	7162	7384	7606	7828	8038
N74M1ATBUM	Sewn-Tufted Back		3510	3713	3867	4032	4214	4406	4566	4764	4962
			5165	5473	6100	6491	6694	6898	7101	7305	7497
N74M1ASUM	Horizon Back Stitch		3465	3641	3774	3917	4073	4240	4377	4548	4719
			4895	5161	5703	6040	6216	6391	6567	6743	6909

DIMENSIONS

Width	30%	Seat Width	24	Weight	83
Depth	32%	Seat Depth	21½	Cubic Ft.	23.5
Height	26%	Seat Height	16%		

- Contrasting fabric option - specify X (i.e. N74M1AX); see page 630. For list pricing, use your electronic specification tool or contact customer service
- Sewn tufted detail on stripes and large patterns are not recommended, as the fabric will appear distorted or wavy across the back and seat

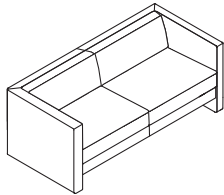
TELLARO

TO ORDER, SPECIFY:

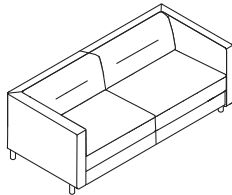
1. Model Number
2. Fabric Grade / Cover Number
3. Metal / Wood Leg Finish

- See page 629 for Tellaro options
- See pages 634-635 for COM fabric yardage

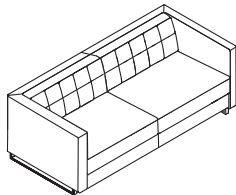
2½ SEAT LOUNGE



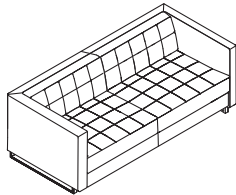
Fully Upholstered Leg
Non-Tufted



Cylinder Leg
Horizon Back Stitch



U-Leg Wood
Tufted Back



U-Leg Metal
Tufted Seat and Back

MODEL NO.

ALLIANCE PROGRAM PRICE GRADES

		A	B	C	D	E	F	G	H	I
		J	K	L	M	N	O	P	Q	R
FULLY UPHOLSTERED LEG										
N74M2A	Non-Tufted	\$ 4279	4619	4877	5153	5456	5778	6045	6376	6708
		7048	7563	8612	9265	9606	9946	10286	10627	10949
N74M2AT	Sewn-Tufted Back and Seat	4813	5209	5509	5830	6183	6557	6868	7253	7638
		8034	8633	9853	10613	11009	11405	11800	12196	12571
N74M2ATB	Sewn-Tufted Back	4526	4882	5150	5438	5755	6091	6370	6715	7061
		7416	7954	9048	9730	10085	10440	10795	11150	11486
N74M2AS	Horizon Back Stitch	4503	4843	5101	5377	5680	6002	6269	6600	6932
		7272	7787	8836	9489	9830	10170	10510	10851	11173
CYLINDER LEG										
N74M2AC	Non-Tufted	\$ 4602	4921	5161	5419	5703	6004	6254	6563	6873
		7191	7673	8653	9264	9582	9900	10218	10536	10837
N74M2ATC	Sewn-Tufted Back and Seat	5133	5503	5783	6083	6413	6763	7053	7413	7773
		8143	8703	9843	10553	10923	11293	11663	12033	12383
N74M2ATBC	Sewn-Tufted Back	4880	5231	5497	5782	6096	6428	6704	7046	7388
		7739	8271	9354	10029	10380	10732	11083	11435	11767
N74M2ASC	Horizon Back Stitch	4826	5145	5385	5643	5927	6228	6478	6787	7097
		7415	7897	8877	9488	9806	10124	10442	10760	11061
U-LEG WOOD										
N74M2AUW	Non-Tufted	\$ 4889	5208	5448	5706	5990	6291	6541	6850	7160
		7478	7960	8940	9551	9869	10187	10505	10823	11124
N74M2ATUW	Sewn-Tufted Back and Seat	5420	5790	6070	6370	6700	7050	7340	7700	8060
		8430	8990	10130	10840	11210	11580	11950	12320	12670
N74M2ATBUW	Sewn-Tufted Back	5166	5517	5783	6068	6382	6714	6990	7332	7674
		8025	8557	9640	10315	10666	11018	11369	11721	12053
N74M2ASUW	Horizon Back Stitch	5112	5431	5671	5929	6213	6514	6764	7073	7383
		7701	8183	9163	9774	10092	10410	10728	11046	11347
U-LEG METAL										
N74M2AUM	Non-Tufted	\$ 4961	5280	5520	5778	6062	6363	6613	6922	7232
		7550	8032	9012	9623	9941	10259	10577	10895	11196
N74M2ATUM	Sewn-Tufted Back and Seat	5492	5862	6142	6442	6772	7122	7412	7772	8132
		8502	9062	10202	10912	11282	11652	12022	12392	12742
N74M2ATBUM	Sewn-Tufted Back	5238	5589	5855	6140	6454	6786	7062	7404	7746
		8097	8629	9712	10387	10738	11090	11441	11793	12125
N74M2ASUM	Horizon Back Stitch	5184	5503	5743	6001	6285	6586	6836	7145	7455
		7773	8255	9235	9846	10164	10482	10800	11118	11419

DIMENSIONS

Width	67%	Seat Width	60	Weight	135
Depth	32%	Seat Depth	21½	Cubic Ft.	49.1
Height	26%	Seat Height	16%		

- Contrasting fabric option - specify X (i.e. N74M2AX); see page 630. For list pricing, use your electronic specification tool or contact customer service
- Sewn tufted detail on stripes and large patterns are not recommended, as the fabric will appear distorted or wavy across the back and seat

TO ORDER, SPECIFY:

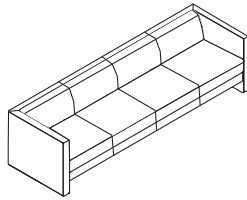
1. Model Number
2. Fabric Grade / Cover Number
3. Metal / Wood Leg Finish

- See page 629 for Tellaro options
- See pages 634-635 for COM fabric yardage

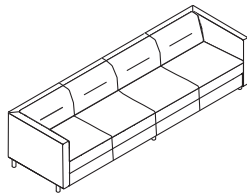
4 SEAT LOUNGE

MODEL NO.

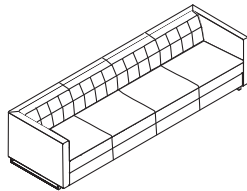
ALLIANCE PROGRAM PRICE GRADES



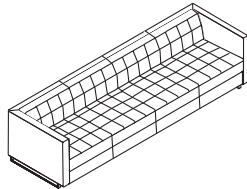
Fully Upholstered Leg
Non-Tufted



Cylinder Leg
Horizon Back Stitch



U-Leg Wood
Tufted Back



U-Leg Metal
Tufted Seat and Back

			A	B	C	D	E	F	G	H	I
			J	K	L	M	N	O	P	Q	R
FULLY UPHOLSTERED LEG											
N74M4A	Non-Tufted	\$	6213	6643	6967	7315	7698	8104	8441	8858	9276
			9705	10355	11677	12501	12930	13359	13788	14217	14623
N74M4AT	Sewn-Tufted Back and Seat		7094	7700	8160	8652	9193	9767	10242	10833	11423
			12030	12948	14818	15982	16589	17196	17803	18410	18984
N74M4ATB	Sewn-Tufted Back		6668	7195	7594	8022	8492	8991	9404	9917	10430
			10957	11755	13380	14391	14919	15446	15973	16500	16999
N74M4AS	Horizon Back Stitch		6511	6941	7265	7613	7996	8402	8739	9156	9574
			10003	10653	11975	12799	13228	13657	14086	14515	14921
CYLINDER LEG											
N74M4AC	Non-Tufted	\$	6568	6905	7159	7432	7733	8051	8315	8643	8970
			9307	9817	10854	11500	11837	12174	12510	12847	13165
N74M4ATC	Sewn-Tufted Back and Seat		7450	7964	8354	8771	9229	9716	10119	10619	11120
			11634	12412	13997	14984	15498	16013	16527	17041	17528
N74M4ATBC	Sewn-Tufted Back		7024	7461	7791	8145	8535	8948	9290	9715	10139
			10576	11237	12582	13420	13856	14293	14730	15166	15579
N74M4ASC	Horizon Back Stitch		6865	7202	7456	7729	8030	8348	8612	8940	9267
			9604	10114	11151	11797	12134	12471	12807	13144	13462
U-LEG WOOD											
N74M4AUW	Non-Tufted	\$	6784	7121	7375	7648	7949	8267	8531	8859	9186
			9523	10033	11070	11716	12053	12390	12726	13063	13381
N74M4ATUW	Sewn-Tufted Back and Seat		7665	8179	8569	8986	9444	9931	10334	10834	11335
			11849	12627	14212	15199	15713	16228	16742	17256	17743
N74M4ATBUW	Sewn-Tufted Back		7241	7678	8008	8362	8752	9165	9507	9932	10356
			10793	11454	12799	13637	14073	14510	14947	15383	15796
N74M4ASUW	Horizon Back Stitch		7082	7419	7673	7946	8247	8565	8829	9157	9484
			9821	10331	11368	12014	12351	12688	13024	13361	13679
U-LEG METAL											
N74M4AUM	Non-Tufted	\$	6855	7192	7446	7719	8020	8338	8602	8930	9257
			9594	10104	11141	11787	12124	12461	12797	13134	13452
N74M4ATUM	Sewn-Tufted Back and Seat		7736	8250	8640	9057	9515	10002	10405	10905	11406
			11920	12698	14283	15270	15784	16299	16813	17327	17814
N74M4ATBUM	Sewn-Tufted Back		7314	7751	8081	8435	8825	9238	9580	10005	10429
			10866	11527	12872	13710	14146	14583	15020	15456	15869
N74M4ASUM	Horizon Back Stitch		7155	7492	7746	8019	8320	8638	8902	9230	9557
			9894	10404	11441	12087	12424	12761	13097	13434	13752

DIMENSIONS

Width	103½"	Seat Width	96½"	Weight	202.4
Depth	32"	Seat Depth	21½"	Cubic Ft.	74.8
Height	26"	Seat Height	16"		

- Contrasting fabric option - specify X (i.e. N74M4AX); see page 630. For list pricing, use your electronic specification tool or contact customer service
- Sewn tufted detail on stripes and large patterns are not recommended, as the fabric will appear distorted or wavy across the back and seat

COM YARDAGE REQUIREMENTS

COM YARDAGE REQUIREMENTS (54" WIDTH – CUT UP THE ROLL)

MODEL	RAILROADED Contact customer service 800-634-9510 for ydg requirements	NON DIRECTIONAL OR SOLID	1"-4" REPEAT	5"-11" REPEAT	12"-18" REPEAT	COL SQUARE FEET
			4" VERTICAL X 4" HORIZONTAL	11" VERTICAL X 11" HORIZONTAL	18" VERTICAL X 18" HORIZONTAL	
N74M1A		5.60	7.00	8.20	9.40	111
N74M1AX	Back	0.70	1.00	1.50	2.30	14
	Seat	0.80	1.50	2.00	2.90	16
	Upholstery	4.50	4.90	5.60	8.40	90
N74M1AT		6.80	8.00	9.00	10.20	136
N74M1ATX	Back	1.20	1.70	2.00	2.90	23
	Seat	1.40	1.70	2.50	3.30	27
	Upholstery	4.50	4.90	5.60	8.40	90
N74M1ATB		6.20	7.80	8.90	10.00	124
N74M1ATBX	Back	1.20	1.70	2.00	2.90	23
	Seat	0.80	1.50	2.00	2.90	16
	Upholstery	4.50	4.90	5.60	8.40	90
N74M1AUW, N74M1AC, N74M1AUM		4.80	6.50	8.00	9.50	94.7
N74M1AUWX, N74M1ACX, N74M1AUMX	Back	0.70	1.00	1.50	2.30	14
	Seat	0.80	1.50	2.00	2.90	16
	Upholstery	3.80	4.50	5.50	7.00	74.8
N74M1ATUW, N74M1ATC, N74M1ATUM		6.00	7.00	9.00	10.50	119
N74M1ATUWX, N74M1ATCX, N74M1ATUMX	Back	1.20	1.70	2.00	2.90	23
	Seat	1.40	1.70	2.50	3.30	27
	Upholstery	3.80	4.50	5.50	7.00	74.8
N74M1ATBUW, N74M1ATBC, N74M1ATBUM		5.50	7.00	8.50	10.00	109.1
N74M1ATBUWX, N74M1ATBCX, N74M1ATBUMX	Back	1.20	1.70	2.00	2.90	23
	Seat	0.80	1.50	2.00	2.90	16
	Upholstery	3.80	4.50	5.50	7.00	74.8
N74M1ASUW, N74M1ASC, N74M1ASUM		4.80	6.50	7.80	9.00	94.1
N74M1ASUWX, N74M1ASCX, N74M1ASUMX	Back	0.80	1.00	1.50	1.80	15.5
	Seat	0.80	1.50	2.00	2.90	16
	Upholstery	3.80	4.50	5.50	7.00	74.8
N74M1AS		5.50	7.00	8.50	9.00	108.5
N74M1SAX	Back	0.80	1.00	1.50	1.80	15.5
	Seat	0.80	1.50	2.00	2.90	16
	Upholstery	4.50	4.90	5.60	8.40	90
N74M2A		9.50	10.50	12.90	14.50	189
N74M2AX	Back	1.60	1.90	2.50	4.90	31
	Seat	2.40	2.90	4.00	4.90	48
	Upholstery	5.80	6.50	7.20	8.70	115
N74M2AT		11.00	12.00	14.00	16.50	219
N74M2ATX	Back	2.70	3.00	3.90	5.90	53
	Seat	2.80	3.30	4.30	5.80	55
	Upholstery	5.80	6.50	7.20	8.70	115
N74M2ATB		10.60	11.90	14.00	16.00	211
N74M2ATBX	Back	2.70	3.00	3.90	5.90	53
	Seat	2.40	2.90	4.00	4.90	48
	Upholstery	5.80	6.50	7.20	8.70	115
N74M2AUW, N74M2AC, N74M2AUM		8.60	10.00	12.00	15.00	171.1
N74M2AUWX, N74M2ACX, N74M2AUMX	Back	1.60	1.90	2.50	4.90	31
	Seat	2.40	2.90	4.00	4.90	48
	Upholstery	4.90	5.50	7.00	10.00	95.8
N74M2ATUW, N74M2ATC, N74M2ATUM		10.00	11.50	14.00	16.50	199.3
N74M2ATUWX, N74M2ATCX, N74M2ATUMX	Back	2.70	3.00	3.90	5.90	53
	Seat	2.80	3.30	4.30	5.80	55
	Upholstery	4.90	5.50	7.00	10.00	95.8
N74M2ATBUW, N74M2ATBC, N74M2ATBUM		9.60	11.00	13.00	15.50	190.4

COM YARDAGE REQUIREMENTS

COM YARDAGE REQUIREMENTS (54" WIDTH – CUT UP THE ROLL)

MODEL	RAILROADED Contact customer service 800-634-9510 for ydg requirements	NON DIRECTIONAL OR SOLID	1"-4" REPEAT	5"-11" REPEAT	12"-18" REPEAT	COL SQUARE FEET
			4" VERTICAL X 4" HORIZONTAL	11" VERTICAL X 11" HORIZONTAL	18" VERTICAL X 18" HORIZONTAL	
N74M2ATBUWX, N74M2ATBCX, N74M2ATBUMX	Back	2.70	3.00	3.90	5.90	53.0
	Seat	2.40	2.90	4.00	4.90	48.0
	Upholstery	4.90	5.50	7.00	10.00	95.8
N74M2ASUW, N74M2ASC, N74M2ASUM		8.40	10.00	11.50	13.50	167.2
N74M2ASUWX, N74M2ASCX, N74M2ASUMX	Back	1.50	2.00	2.50	4.00	29.9
	Seat	2.40	2.90	4.00	4.90	48.0
	Upholstery	4.90	5.50	7.00	10.00	95.8
N74M2AS		9.50	11.00	13.00	14.00	188.8
N74M2ASX	Back	1.50	2.00	2.50	4.00	29.9
	Seat	2.40	2.90	4.00	4.90	48.0
	Upholstery	5.80	6.50	7.20	8.70	115.0
N74M4A		10.00	17.00	21.00	25.20	198
N74M4AX	Back	2.10	3.30	4.40	6.70	42
	Seat	2.80	4.60	7.50	9.00	56
	Upholstery	6.60	9.00	10.20	10.80	132
N74M4AT		14.90	20.40	23.80	29.00	297
N74M4ATX	Back	4.40	5.50	7.00	9.00	88
	Seat	4.90	6.00	8.00	10.80	97
	Upholstery	6.60	9.00	10.20	10.80	132
N74M4ATB		12.80	19.30	23.70	27.00	255
N74M4ATBX	Back	4.40	5.50	7.00	9.00	88
	Seat	2.80	4.60	7.50	9.00	56
	Upholstery	6.60	9.00	10.20	10.80	132
N74M4AUW, N74M4AC, N74M4AUM		9.10	16.00	20.50	25.00	179.9
N74M4AUWX, N74M4ACX, N74M4AUMX	Back	2.10	3.30	4.40	6.70	42.0
	Seat	2.80	4.60	7.50	9.00	56.0
	Upholstery	5.50	8.00	10.00	12.00	109.6
N74M4ATUW, N74M4ATC, N74M4ATUM		14.00	19.00	24.00	28.50	277.3
N74M4ATUWX, N74M4ATCX, N74M4ATUMX	Back	4.40	5.50	7.00	9.00	88.0
	Seat	4.90	6.00	8.00	10.80	97.0
	Upholstery	5.50	8.00	10.00	12.00	109.6
N74M4ATBUW, N74M4ATBC, N74M4ATBUM		11.90	18.50	23.50	25.00	235.3
N74M4ATBUWX, N74M4ATBCX, N74M4ATBUMX	Back	4.40	5.50	7.00	9.00	88.0
	Seat	2.80	4.60	7.50	9.00	56.0
	Upholstery	5.50	8.00	10.00	12.00	109.6
N74M4ASUW, N74M4ASC, N74M4ASUM		8.90	15.50	19.00	22.00	176.0
N74M4ASUWX, N74M4ASCX, N74M4ASUMX	Back	2.20	3.50	4.30	5.00	43.2
	Seat	2.80	4.60	7.50	9.00	56.0
	Upholstery	5.50	8.00	10.00	12.00	109.6
N74M4AS		10.00	17.00	21.00	22.00	197.6
N74M4ASX	Back	2.20	3.50	4.30	5.00	43.2
	Seat	2.80	4.60	7.50	9.00	56.0
	Upholstery	6.60	9.00	10.20	10.80	132.0

