

---

# Swift

Product Specifications	578
Fabrics and Options	579
Contrasting Fabric	580
Product Pages - Non-Tufting	582
Product Pages - Tufting	590
COM Yardage Requirements	597

## SWIFT PRODUCT SPECIFICATIONS

### LOUNGE

#### FRAME CONSTRUCTION

- Interior frame is constructed of plywood with tenon joints that are glued and screwed for maximum joint stability
- Exterior base frame features wood and metal-look accents
- Each joint is securely glued for maximum joint stability

#### SEAT CONSTRUCTION

- 4" of high grade polyurethane foam covers a plywood seat panel with high tension strip webbing for comfort

#### BACK CONSTRUCTION

- 4½" of high grade custom shaped polyurethane foam stretched over web sheet and attached to frame

#### ARM CONSTRUCTION

- ½" of high grade polyurethane foam covers a plywood constructed arm frame

#### UPHOLSTERY DETAIL

- Contrasting fabric available on all models
- Railroaded fabrics cannot be specified for vertical tufted models

#### LEGS

- Extruded aluminum legs with nylon leveling glides

#### MOBILE UNIT CASTERS

- Black, double wheel, roll control casters are standard and work on all floors

#### TABLET ARM

- ¾" thick black 3D Laminate with MDF core or ¾" thick maple
- Attached with ¼" steel base plate and screws that mounts over ¼" metal insert rod and fits into structure of arm
- Allows for 360° swivel and writing surface of 21" W x 13½" D

#### FINISH

- Tablet arm features a catalyzed top coat that resists denting, peeling and reactions to chemicals
- Can be cleaned with a damp cloth
- When specifying Brighton, Natural, and Sonoma finish, variation in color is acceptable due to the nature of wood characteristics

#### PLINTH BASE

- Available on tufting models only
- Black PVC edge
- Includes leveling glides

#### GANGING - TUFTING MODELS

- Ganging option available for an additional upcharge on the armless side(s) of lounges, benches and tables
- A right ganging bolt and left V-bracket is necessary for units to be ganged
- To gang units, simply lift unit and insert ganging bolt into ganging V-bracket

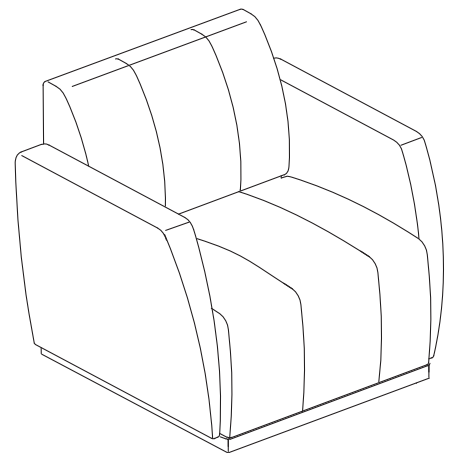
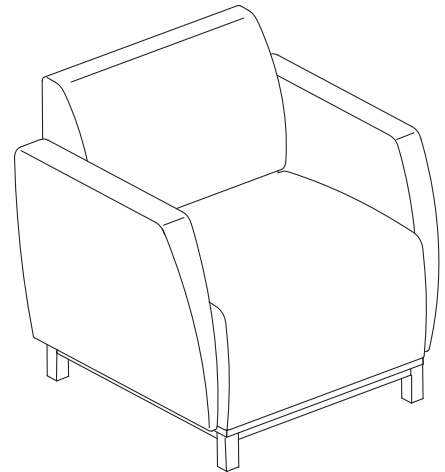
### TABLES

#### FRAME CONSTRUCTION

- Grade A slipmatched maple (Brighton, Caramel, Honey, Natural), or cherry veneer (Amber, Autumn, Cordovan, Judicial, Mocha, Truffle) with mitered corners and extruded aluminum legs with rails
- Veneer features a semi-open pore matte sheen

#### POWER AND DATA GROMMET

- Available in the 30°, 45°, 90° and small end tables
- 3 power grommets available; specify cutout option and order electrical grommet model separately. See page 819 for details and pricing
- Power grommet not available on coffee or console tables



## SURFACE MATERIALS

See the Kimball Hospitality Surface Materials Reference Guide at [kimballhospitality.com](http://kimballhospitality.com) for a complete overview of our materials program, including:

- Characteristics of wood
- Special wood finishes
- Customer-specified laminate (CSL)
- Customer-specified paint (CSP)
- Fabric application and colorways
- Customer's own material (COM) process overview
- Alliance program

### ALLIANCE FABRIC PROGRAM

Kimball Hospitality has analyzed each model to most accurately reflect the COM/COL yardage requirements shown on page 597.

The yardage requirement for each model is based on 54" W fabric and cutting the fabric up the roll.

If repeat is larger than 18", contact Customer Service to confirm the correct amount of yardage required. When ordering 10 or more chairs in the same COM, yardage requirements may be reduced.

Contact Customer Service.

### PRICE GRADES A-R

See Surface Materials at [www.kimballhospitality.com](http://www.kimballhospitality.com) for a wide variety of graded-in fabrics from Arc-Com, Carnegie, CF Stinson, Designtex, Maharam, Mayer, Momentum, and Ultrafabrics.

### FABRIC SAMPLES

If you need samples for presentation(s), contact our alliance partners directly at:

Arc-Com	800.223.5466	<a href="http://arc-com.com">arc-com.com</a>
Carnegie	800.727.6770	<a href="http://carnegiefabrics.com">carnegiefabrics.com</a>
CF Stinson	800.841.6279	<a href="http://cfstinson.com">cfstinson.com</a>
Designtex	800.221.1540	<a href="http://designtex.com">designtex.com</a>
Maharam	800.645.3943	<a href="http://maharam.com">maharam.com</a>
Mayer	800.428.4415	<a href="http://mayerfabrics.com">mayerfabrics.com</a>
Momentum	800.366.6839	<a href="http://memosamples.com">memosamples.com</a>
Ultrafabrics	877.309.6648	<a href="http://ultrafabricsllc.com">ultrafabricsllc.com</a>

## TABLES SURFACE GROMMETS/CUTOUTS

(\$40 list upcharge per location)

CUT-G12	G12 Cutout
CUT-G17	G17 Cutout
CUT-G23	G23 Cutout
X	No Grommet

## TABLES SIDE GROMMETS/CUTOUTS

(\$40 list upcharge per location)

CUT-G23C	Power Grommet
X	No Grommet

Reference page 819 for pricing and details

## TABLET ARM

T	3D Laminate, Black
W	Wood

## FRAME COLORS - NON-TUFTING MODELS

423	Concrete
462	Cinder
463	Iron
497	Polished Aluminum
501	Platinum Metallic
503	Satin Nickel Metallic

## FINISHES

AC	Autumn	PB	Portobello*
AD	Almond*	PT	Portico*
CL	Caramel	SK	Skyline*
CW	Cordovan	SM	Sonoma*
DW	Judicial	TF	Truffle
HN	Honey	405	Designer White*
IM	Brighton	462	Cinder*
MC	Amber	792	Sable*
MH	Mocha	793	Acorn*†
NM	Natural		

\*Not available on tables

†Acorn is the finish and laminate complement to Clear Walnut finish

## LAMINATES

AC2	Autumn 2	TF	Truffle
AD	Almond	405	Designer White
CL	Caramel	419	Wallaby
CW	Cordovan	425	Shadow
DW	Judicial	440	Cloud
HN2	Honey 2	461	Graphite
IM	Brighton	462	Cinder
MC	Amber	478	Platinum Grey
MH	Mocha	488	Frosty White
NM	Natural	491	Designer White
PB	Portobello		Linear
PT	Portico	492	Cinder Linear
SK	Skyline	792	Sable
SM	Sonoma	793	Acorn†

## GANGING OPTIONS TUFTING MODELS ONLY

(\$69 list upcharge per ganging location)

### LOUNGE

L	Ganging Left
R	Ganging Right
LR	Ganging Left and Right
X	No Ganging

### TABLES

1	Ganging 1 Side
2	Ganging 2 Sides
X	No Ganging

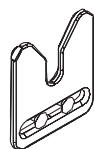
## GANGING BRACKET DETAILS (AS SEATED)

### RIGHT SIDE GANGING



Ganging Bolt

### LEFT SIDE GANGING



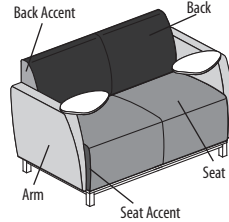
Ganging V-Bracket

**TO ORDER CONTRASTING FABRIC, SPECIFY**

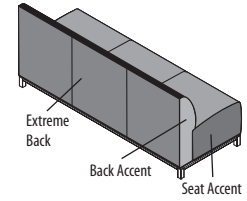
**SWIFT**

- 1 Seat Lounge page 582**
- 1 Seat Lounge - Single Arm page 582**
- 2 Seat Lounge page 583**
- 2 Seat Lounge - Single Arm page 583**
- 3 Seat Lounge page 584**
- 3 Seat Lounge - Single Arm page 584**

1. Model Number plus "X"
2. Back Fabric Grade Number/Cover Number
3. Extreme Fabric Grade Number/Cover Number
4. Back Accent Fabric Grade Number/Cover Number
5. Seat Fabric Grade Number/Cover Number
6. Seat Accent Fabric Grade Number/Cover Number
7. Arm Fabric Grade Number/Cover Number
8. Tablet (when applicable)
9. Finish Designator
10. Frame Color



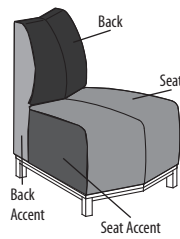
Contrasting Fabric Tablet Both Arms



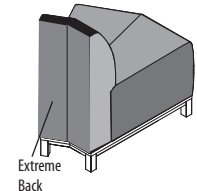
Contrasting Fabric Back View

- 30° Corner Unit page 585**
- 45° Inside Corner Unit page 585**
- 45° Outside Corner Unit page 585**
- 90° Inside Corner Unit page 586**
- 90° Outside Corner Unit page 586**

1. Model Number plus "X"
2. Back Fabric Grade Number/Cover Number
3. Extreme Fabric Grade Number/Cover Number
4. Back Accent Fabric Grade Number/Cover Number
5. Seat Fabric Grade Number/Cover Number
6. Seat Accent Fabric Grade Number/Cover Number
7. Finish Designator
8. Frame Color



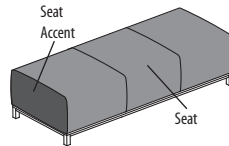
Contrasting Fabric



Contrasting Upholstery Back View

- 1 Seat Bench page 587**
- 2 Seat Bench page 587**
- 3 Seat Bench page 587**

1. Model Number plus "X"
2. Seat Fabric Grade Number/Cover Number
3. Seat Accent Fabric Grade Number/Cover Number
4. Finish Designator
5. Frame Color



Contrasting Fabric

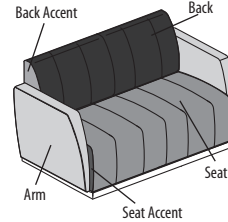
**SWIFT**

**1 Seat Lounge Vertical Tuft Plinth Base page 590**

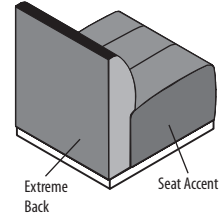
**2 Seat Lounge Vertical Tuft Plinth Base page 590**

**3 Seat Lounge Vertical Tuft Plinth Base page 590**

1. Model Number plus "X"
2. Ganging
3. Back Fabric Grade Number/Cover Number
4. Extreme Fabric Grade Number/Cover Number
5. Back Accent Fabric Grade Number/Cover Number
6. Seat Fabric Grade Number/Cover Number
7. Seat Accent Fabric Grade Number/Cover Number
8. Arm Fabric Grade Number/Cover Number



Contrasting Fabric

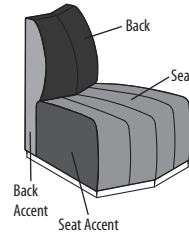


Contrasting Fabric Back View

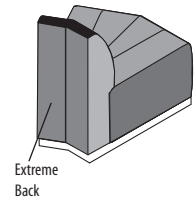
**90° Inside Corner Lounge Vertical Tuft Plinth Base page 591**

**90° Outside Corner Lounge Vertical Tuft Plinth Base page 591**

1. Model Number plus "X"
2. Ganging
3. Back Fabric Grade Number/Cover Number
4. Extreme Fabric Grade Number/Cover Number
5. Back Accent Fabric Grade Number/Cover Number
6. Seat Fabric Grade Number/Cover Number
7. Seat Accent Fabric Grade Number/Cover Number



Contrasting Fabric



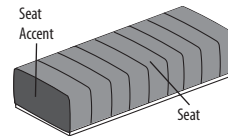
Contrasting Upholstery Back View

**1 Seat Bench Vertical Tuft Plinth Base page 591**

**2 Seat Bench Vertical Tuft Plinth Base page 591**

**3 Seat Bench Vertical Tuft Plinth Base page 591**

1. Model Number plus "X"
2. Ganging
3. Seat Fabric Grade Number/Cover Number
4. Seat Accent Fabric Grade Number/Cover Number



Contrasting Fabric

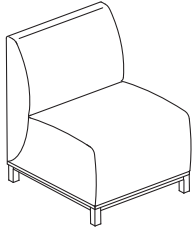
# SWIFT

## TO ORDER, SPECIFY:

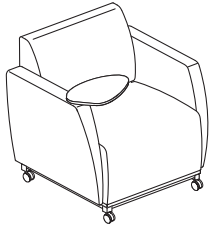
1. Model Number
2. Fabric Grade Number
3. Cover Number
4. Tablet (when applicable)
5. Finish Designator
6. Frame Color

- See page 579 for Swift options
- See pages 597-599 for COM fabric yardage

### 1 SEAT LOUNGE



Armless



Tablet Right Arm - Mobile

### MODEL NO.

### ALLIANCE PROGRAM PRICE GRADES

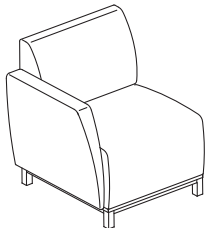
			A	B	C	D	E	F	G	H	I
			J	K	L	M	N	O	P	Q	R
N95MA	Armless	\$	2660	2775	2861	2954	3057	3165	3255	3367	3478
			3593	3767	4120	4340	4455	4570	4684	4799	4907
N95MAC	Armless - Mobile		2878	2993	3079	3172	3275	3383	3473	3585	3696
			3811	3985	4338	4558	4673	4788	4902	5017	5125
N95AA	Arms		3561	3772	3932	4103	4291	4490	4656	4861	5066
			5277	5596	6246	6651	6862	7073	7283	7494	7694
N95AAR	Tablet Right Arm		3886	4097	4257	4428	4616	4815	4981	5186	5391
			5602	5921	6571	6976	7187	7398	7608	7819	8019
N95AAL	Tablet Left Arm		3886	4097	4257	4428	4616	4815	4981	5186	5391
			5602	5921	6571	6976	7187	7398	7608	7819	8019
N95AAC	Arms - Mobile		3778	3989	4149	4320	4508	4707	4873	5078	5283
			5494	5813	6463	6868	7079	7290	7500	7711	7911
N95AARC	Tablet Right Arm - Mobile		4106	4317	4477	4648	4836	5035	5201	5406	5611
			5822	6141	6791	7196	7407	7618	7828	8039	8239
N95AALC	Tablet Left Arm - Mobile		4106	4317	4477	4648	4836	5035	5201	5406	5611
			5822	6141	6791	7196	7407	7618	7828	8039	8239

### DIMENSIONS

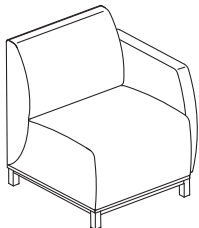
Armless Width	26½	Arm Height	27¼	Seat Depth	21¼	Armless Weight	49
Arm Width	32	Seat Height	19¼	Back Height	32½	Arm Weight	78
Depth	30	Seat Width	26½	Back Width	26½	Cubic Ft.	26.3
Height	32½						

• Contrasting fabric option – specify X (i.e., N95MAX); see page 580. For list pricing, use your electronic specification tool or contact customer service

### 1 SEAT LOUNGE - SINGLE ARM



Right Arm



Left Arm

			A	B	C	D	E	F	G	H	I
			J	K	L	M	N	O	P	Q	R
N95MAR	Right Arm	\$	3080	3242	3366	3498	3643	3797	3924	4083	4241
			4404	4650	5152	5464	5627	5790	5953	6116	6270
N95MART	Tablet Right Arm		3470	3632	3756	3888	4033	4187	4314	4473	4631
			4794	5040	5542	5854	6017	6180	6343	6506	6660
N95MAL	Left Arm		3080	3242	3366	3498	3643	3797	3924	4083	4241
			4404	4650	5152	5464	5627	5790	5953	6116	6270
N95MALT	Tablet Left Arm		3470	3632	3756	3888	4033	4187	4314	4473	4631
			4794	5040	5542	5854	6017	6180	6343	6506	6660

### DIMENSIONS

Width	29½	Arm Height	27¼	Seat Depth	21¼	Weight	67
Depth	30	Seat Height	19¼	Back Height	32½	Cubic Ft.	26.3
Height	32½	Seat Width	26½	Back Width	26½		

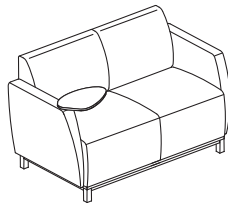
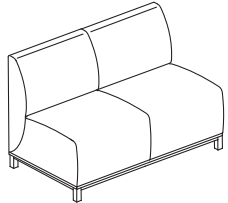
• Contrasting fabric option – specify X (i.e., N95MALX); see page 580. For list pricing, use your electronic specification tool or contact customer service

**TO ORDER, SPECIFY:**

1. Model Number
2. Fabric Grade Number
3. Cover Number
4. Tablet (when applicable)
5. Finish Designator
6. Frame Color

- See page 579 for Swift options
- See pages 597-599 for COM fabric yardage

**2 SEAT LOUNGE**



Tablet Right Arm

**MODEL NO.**

**ALLIANCE PROGRAM PRICE GRADES**

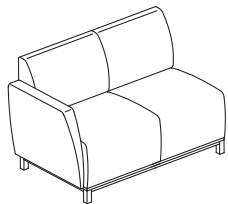
			A	B	C	D	E	F	G	H	I
			J	K	L	M	N	O	P	Q	R
N95MB	Armless	\$	3876	4054	4188	4332	4491	4659	4798	4971	5143
			5321	5590	6137	6478	6655	6833	7011	7188	7356
N95BB	Arms		4728	4968	5150	5345	5560	5787	5976	6210	6444
			6684	7048	7789	8251	8491	8732	8972	9213	9440
N95BBR	Tablet Right Arm		5053	5293	5475	5670	5885	6112	6301	6535	6769
			7009	7373	8114	8576	8816	9057	9297	9538	9765
N95BBL	Tablet Left Arm		5053	5293	5475	5670	5885	6112	6301	6535	6769
			7009	7373	8114	8576	8816	9057	9297	9538	9765
N95BBB	Tablet Both Arms		5380	5620	5802	5997	6212	6439	6628	6862	7096
			7336	7700	8441	8903	9143	9384	9624	9865	10092

**DIMENSIONS**

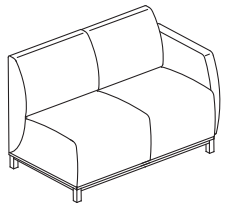
Armless Width	51½	Arm Height	27¼	Seat Depth	21¼	Armless Weight	84
Arm Width	59¼	Seat Height	19¼	Back Height	32½	Arm Weight	120
Depth	30	Seat Width	51½	Back Width	51½	Cubic Ft.	48.8
Height	32½						

• Contrasting fabric option – specify X (i.e., N95MBX); see page 580. For list pricing, use your electronic specification tool or contact customer service

**2 SEAT LOUNGE - SINGLE ARM**



Right Arm



Left Arm

			A	B	C	D	E	F	G	H	I
			J	K	L	M	N	O	P	Q	R
N95MBR	Right Arm	\$	4249	4445	4593	4752	4927	5113	5266	5457	5648
			5844	6141	6745	7121	7317	7514	7710	7906	8091
N95MBRT	Tablet Right Arm		4637	4833	4981	5140	5315	5501	5654	5845	6036
			6232	6529	7133	7509	7705	7902	8098	8294	8479
N95MBL	Left Arm		4249	4445	4593	4752	4927	5113	5266	5457	5648
			5844	6141	6745	7121	7317	7514	7710	7906	8091
N95MBLT	Tablet Left Arm		4637	4833	4981	5140	5315	5501	5654	5845	6036
			6232	6529	7133	7509	7705	7902	8098	8294	8479

**DIMENSIONS**

Width	55¼	Arm Height	27¼	Seat Depth	21¼	Weight	113
Depth	30	Seat Height	19¼	Back Height	32½	Cubic Ft.	48.8
Height	32½	Seat Width	51½	Back Width	51½		

• Contrasting fabric option – specify X (i.e., N95MBLX); see page 580. For list pricing, use your electronic specification tool or contact customer service

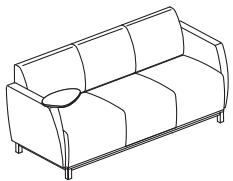
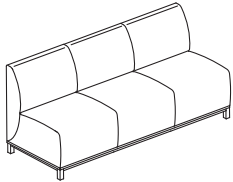
# SWIFT

## TO ORDER, SPECIFY:

1. Model Number
2. Fabric Grade Number
3. Cover Number
4. Tablet (when applicable)
5. Finish Designator
6. Frame Color

- See page 579 for Swift options
- See pages 597-599 for COM fabric yardage

### 3 SEAT LOUNGE



Tablet Right Arm

#### MODEL NO.

#### ALLIANCE PROGRAM PRICE GRADES

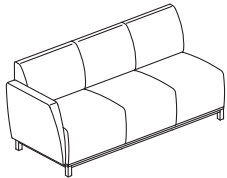
			A	B	C	D	E	F	G	H	I
			J	K	L	M	N	O	P	Q	R
N95MC	Armless	\$	5106	5354	5542	5743	5964	6198	6393	6634	6875
			7123	7498	8262	8738	8986	9234	9481	9729	9964
N95CC	Arms		5971	6293	6537	6798	7085	7389	7642	7955	8268
			8590	9077	10069	10687	11009	11331	11652	11974	12279
N95CCR	Tablet Right Arm		6300	6622	6866	7127	7414	7718	7971	8284	8597
			8919	9406	10398	11016	11338	11660	11981	12303	12608
N95CCL	Tablet Left Arm		6300	6622	6866	7127	7414	7718	7971	8284	8597
			8919	9406	10398	11016	11338	11660	11981	12303	12608
N95CCB	Tablet Both Arms		6624	6946	7190	7451	7738	8042	8295	8608	8921
			9243	9730	10722	11340	11662	11984	12305	12627	12932

#### DIMENSIONS

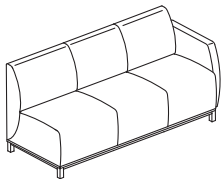
Armless Width	76	Arm Height	27¼	Seat Depth	21¼	Armless Weight	141
Arm Width	83	Seat Height	19¼	Back Height	32¼	Arm Weight	155
Depth	30	Seat Width	79½	Back Width	79½	Cubic Ft.	72.2
Height	32½						

• Contrasting fabric option – specify X (i.e., N95CCX); see page 580. For list pricing, use your electronic specification tool or contact customer service

### 3 SEAT LOUNGE - SINGLE ARM



Right Arm



Left Arm

			A	B	C	D	E	F	G	H	I
			J	K	L	M	N	O	P	Q	R
N95MCR	Right Arm	\$	5492	5765	5973	6195	6439	6698	6912	7179	7445
			7719	8133	8977	9502	9776	10050	10324	10598	10857
N95MCRT	Tablet Right Arm		5881	6154	6362	6584	6828	7087	7301	7568	7834
			8108	8522	9366	9891	10165	10439	10713	10987	11246
N95MCL	Left Arm		5492	5765	5973	6195	6439	6698	6912	7179	7445
			7719	8133	8977	9502	9776	10050	10324	10598	10857
N95MCLT	Tablet Left Arm		5881	6154	6362	6584	6828	7087	7301	7568	7834
			8108	8522	9366	9891	10165	10439	10713	10987	11246

#### DIMENSIONS

Width	82¼	Arm Height	27¼	Seat Depth	21¼	Weight	148
Depth	30	Seat Height	19¼	Back Height	32¼	Cubic Ft.	72.2
Height	32½	Seat Width	79½	Back Width	79½		

• Contrasting fabric option – specify X (i.e., N95MCLX); see page 580. For list pricing, use your electronic specification tool or contact customer service

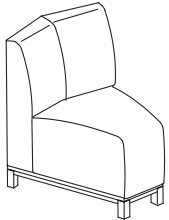


**TO ORDER, SPECIFY:**

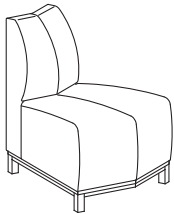
1. Model Number
2. Fabric Grade Number
3. Cover Number
4. Finish Designator
5. Frame Color

- See page 579 for Swift options
- See pages 597-599 for COM fabric yardage

**30° CORNER UNIT**



30° Inside Corner



30° Outside Corner

**MODEL NO.**

**ALLIANCE PROGRAM PRICE GRADES**

			A	B	C	D	E	F	G	H	I
			J	K	L	M	N	O	P	Q	R
N95MH	Inside Corner	\$	2544	2641	2713	2791	2877	2968	3044	3137	3231
			3327	3473	3769	3954	4050	4146	4242	4338	4429
N95MHA	Outside Corner		2533	2621	2689	2761	2840	2924	2993	3080	3166
			3255	3389	3663	3833	3922	4011	4100	4189	4273

**DIMENSIONS - INSIDE CORNER**

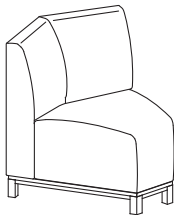
Width	25½	Seat Height	19¼	Weight	40
Depth	32			Cubic Ft.	31.9
Height	32½				

**DIMENSIONS - OUTSIDE CORNER**

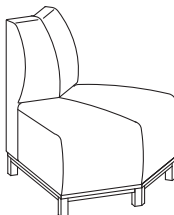
Width	27	Seat Height	19¼	Weight	40
Depth	31			Cubic Ft.	31.9
Height	32½				

- Contrasting fabric option – specify X (i.e., N95MHAX); see page 580. For list pricing, use your electronic specification tool or contact customer service
- Stripes and plaids are not recommended as the fabrics may not align at the seams

**45° CORNER UNIT**



45° Inside Corner



45° Outside Corner

			A	B	C	D	E	F	G	H	I
			J	K	L	M	N	O	P	Q	R
N95MJ	Inside Corner	\$	2960	3075	3161	3254	3357	3465	3555	3667	3778
			3893	4067	4420	4640	4755	4870	4984	5099	5207
N95MJA	Outside Corner		2936	3036	3112	3193	3282	3376	3455	3552	3649
			3749	3900	4208	4400	4500	4600	4699	4799	4894

**DIMENSIONS - INSIDE CORNER**

Width	32½	Seat Height	19¼	Weight	45
Depth	32½			Cubic Ft.	31.9
Height	32½				

**DIMENSIONS - OUTSIDE CORNER**

Width	33½	Seat Height	19¼	Weight	45
Depth	33½			Cubic Ft.	31.9
Height	32½				

- Contrasting fabric option – specify X (i.e., N95MJAX); see page 580. For list pricing, use your electronic specification tool or contact customer service
- Stripes and plaids are not recommended as the fabrics may not align at the seams

**SWIFT**

**90° CORNER UNIT TO ORDER, SPECIFY:**

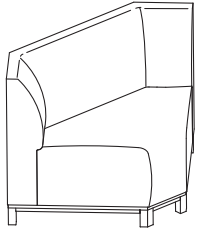
1. Model Number
2. Fabric Grade Number
3. Cover Number
4. Finish Designator
5. Frame Color

**PULL-UP TABLE TO ORDER, SPECIFY:**

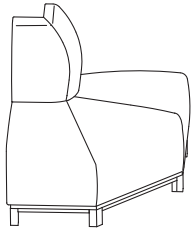
1. Model Number
2. Laminate or Finish
3. Paint

- See page 579 for Swift options
- See pages 597-599 for COM fabric yardage

**90° CORNER UNIT**



90° Inside Corner



90° Outside Corner

**MODEL NO.**

**ALLIANCE PROGRAM PRICE GRADES**

			A	B	C	D	E	F	G	H	I
			J	K	L	M	N	O	P	Q	R
N95MK	Inside Corner	\$	3847	4006	4126	4255	4397	4548	4672	4827	4982
			5141	5382	5872	6177	6336	6496	6655	6814	6964
N95MKA	Outside Corner		3776	3891	3977	4070	4173	4281	4371	4483	4594
			4709	4883	5236	5456	5571	5686	5800	5915	6023

**DIMENSIONS - INSIDE CORNER**

Width	50½	Seat Height	19¼	Weight	56
Depth	30			Cubic Ft.	31.9
Height	32½				

**DIMENSIONS - OUTSIDE CORNER**

Width	48%	Seat Height	19¼	Weight	56
Depth	33%			Cubic Ft.	36.9
Height	32½				

- Contrasting fabric option – specify X (i.e., N95MKAX); see page 580. For list pricing, use your electronic specification tool or contact customer service
- Stripes and plaids are not recommended as the fabrics may not align at the seams

**PERSONAL PULL-UP TABLE**



**MODEL NO.**

**LIST PRICE**

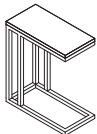
10N1622RTPUW	Wood	\$	1470
10N1622RTPUL	Laminate		1470

**DIMENSIONS**

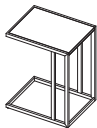
Width	22	Weight	32
Depth	13¾	Cubic Ft.	9.25
Height	28½		

- 50 lb. weight limit
- Specify metal finish (423) Concrete, (462) Cinder, (463) Iron, (501) Platinum Metallic, or (503) Satin Nickel Metallic
- Veneer species is maple
- Acorn is the laminate/wood complement to Clear Walnut
- NON-CONTRACT/OPEN MARKET

**PERSONAL PULL-UP TABLE**



White Marble



Black Marble

10N1120RTPU2SS	White Marble	\$	1036
10N1620RTPU2SB	Black Marble		1036

**DIMENSIONS - WHITE MARBLE**

Width	20	Weight	30
Depth	11	Cubic Ft.	5
Height	25		

**DIMENSIONS - BLACK MARBLE**

Width	20	Weight	30
Depth	16	Cubic Ft.	6.95
Height	25		

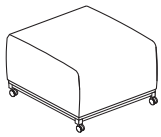
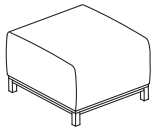
- 50 lb. weight limit
- White Marble model has a Platinum Metallic base; Black Marble model has a Cinder base
- 10N1620RTPU2SB top material is Porcelain with pattern Nero Marquina
- 10N1120RTPU2SS top material is Natural Marble species of Bianco Crown Marble
- Specify model number only

**TO ORDER, SPECIFY:**

1. Model Number
2. Fabric Grade Number
3. Cover Number
4. Finish Designator
5. Frame Color

- See page 579 for Swift options
- See pages 597-599 for COM fabric yardage

**1 SEAT BENCH**



Mobile

**MODEL NO.**

**ALLIANCE PROGRAM PRICE GRADES**

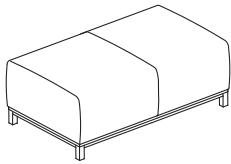
			A	B	C	D	E	F	G	H	I
			J	K	L	M	N	O	P	Q	R
N95DD	1 Seat Bench	\$	2071	2168	2240	2318	2404	2495	2571	2664	2758
			2854	3000	3296	3481	3577	3673	3769	3865	3956
N95DDC	1 Seat Bench - Mobile		2289	2386	2458	2536	2622	2713	2789	2882	2976
			3072	3218	3514	3699	3795	3891	3987	4083	4174

**DIMENSIONS**

Width	26¼	Weight	35
Depth	30	Cubic Ft.	16.7
Height	19¼		

- Contrasting fabric option – specify X (i.e., N95DDX); see page 580. For list pricing, use your electronic specification tool or contact customer service
- Railroaded fabrics will require a seam on the front and back edges of bench

**2 SEAT BENCH**



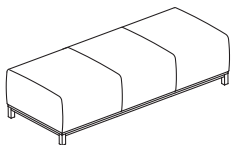
			A	B	C	D	E	F	G	H	I
			J	K	L	M	N	O	P	Q	R
N95EE	2 Seat Bench	\$	2849	2974	3070	3172	3284	3403	3501	3624	3746
			3872	4062	4450	4691	4817	4943	5069	5195	5314

**DIMENSIONS**

Width	51½	Weight	65
Depth	30	Cubic Ft.	29.4
Height	19¼		

- Contrasting fabric option – specify X (i.e., N95EEEX); see page 580. For list pricing, use your electronic specification tool or contact customer service
- Railroaded fabrics will require a seam on the front and back edges of bench

**3 SEAT BENCH**



			A	B	C	D	E	F	G	H	I
			J	K	L	M	N	O	P	Q	R
N95GG	3 Seat Bench	\$	3728	3946	4112	4289	4483	4690	4861	5073	5286
			5504	5834	6507	6926	7144	7363	7581	7799	8006

**DIMENSIONS**

Width	76	Weight	95
Depth	30	Cubic Ft.	44.8
Height	19¼		

- Contrasting fabric option – specify X (i.e., N95GGX); see page 580. For list pricing, use your electronic specification tool or contact customer service
- Railroaded fabrics will require a seam on the front and back edges of bench

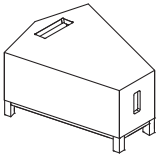
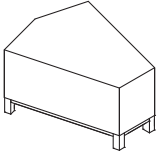
# SWIFT

## TO ORDER, SPECIFY:

1. Model Number
2. Surface Grommet
3. Side Grommet
4. Wood/Laminate Finish
5. Frame Color

• See page 579 for Swift options

### 30° TABLE



Optional Surface and Side Grommet Locations

#### MODEL NO.

#### LIST PRICE

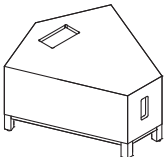
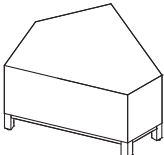
N95KKW	Wood	\$ 2106
N95KKL	Laminate	1977

#### DIMENSIONS

Width	25	Weight	40
Depth	30¼	Cubic Ft.	12.6
Height	16½		

- Power grommet sold separately; reference page 819 for pricing and details
- Optional surface grommet cutout available in G12, G17, and G23 cutout (+40 list)
- Optional side grommet cutout available in G23 cutout (+40 list)

### 45° TABLE



Optional Surface and Side Grommet Locations

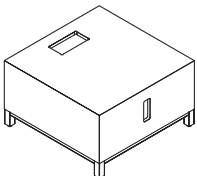
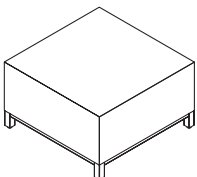
N95LLW	Wood	\$ 2279
N95LLL	Laminate	2149

#### DIMENSIONS

Width	31½	Weight	45.2
Depth	32¼	Cubic Ft.	16.3
Height	16½		

- Power grommet sold separately; reference page 819 for pricing and details
- Optional surface grommet cutout available in G12, G17, and G23 cutout (+40 list)
- Optional side grommet cutout available in G23 cutout (+40 list)

### 90° TABLE



Optional Surface and Side Grommet Locations

N95NNW	Wood	\$ 2365
N95NNL	Laminate	2237

#### DIMENSIONS

Width	28	Weight	47.8
Depth	28	Cubic Ft.	13.1
Height	16½		

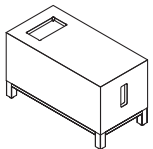
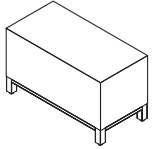
- Power grommet sold separately; reference page 819 for pricing and details
- Optional surface grommet cutout available in G12, G17, and G23 cutout (+40 list)
- Optional side grommet cutout available in G23 cutout (+40 list)

**TO ORDER, SPECIFY:**

1. Model Number
2. Surface Grommet
3. Side Grommet
4. Wood/Laminate Finish
5. Frame Color

• See page 579 for Swift options

**SMALL END TABLE**



Optional Surface and Side Grommet Locations

**MODEL NO.**

**LIST PRICE**

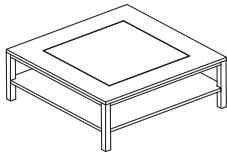
N95PPW	Wood	\$ 1761
N95PPL	Laminate	1634

**DIMENSIONS**

Width	14	Weight	31.8
Depth	28	Cubic Ft.	7.5
Height	16½		

- Power grommet sold separately; reference page 819 for pricing and details
- Optional surface grommet cutout available in G12, G17, and G23 cutout (+40 list)
- Optional side grommet cutout available in G23 cutout (+40 list)

**COFFEE TABLE**



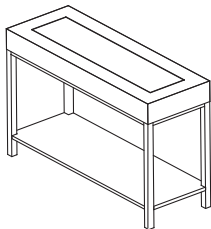
N95RRW	Wood	\$ 2750
N95RRL	Laminate	2625

**DIMENSIONS**

Width	36	Weight	70
Depth	36	Cubic Ft.	16.8
Height	13¼		

- Power grommet option not available
- Frosted ¾" thick glass insert

**CONSOLE TABLE**



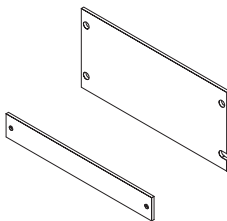
N95SSW	Wood	\$ 2939
N95SSL	Laminate	2811

**DIMENSIONS**

Width	50	Weight	74.2
Depth	18	Cubic Ft.	26.4
Height	33½		

- Power grommet option not available
- Frosted ¾" thick glass insert

**GANGING BRACKET KIT**



N95TR	1 Bracket Kit	\$ 122
-------	---------------	--------

**DIMENSIONS**

Weight	2
Cubic Ft.	0.05

- Ganging bracket recommended for use in static applications for rigid ganging
- Ganging bracket intended for armless-to-armless or armless-to-table connections
- 1 bracket kit used for each connection

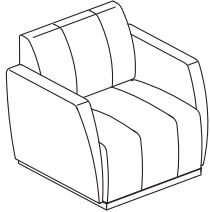
# SWIFT

### TO ORDER, SPECIFY:

1. Model Number
2. Ganging
3. Fabric Grade Number
4. Cover Number

- See page 579 for Swift options
- See pages 597-599 for COM fabric yardage

### 1 SEAT LOUNGE VERTICAL TUFT PLINTH BASE



Arms

#### MODEL NO.

#### ALLIANCE PROGRAM PRICE GRADES

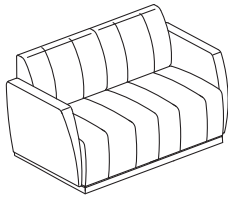
		A	B	C	D	E	F	G	H	I
		J	K	L	M	N	O	P	Q	R
N95AATP	Arms	3614	3859	4043	4241	4459	4690	4882	5119	5357
		5601	5971	6723	7192	7436	7680	7924	8168	8399

#### DIMENSIONS

Width	32	Seat Width	26½	Arm Height	24¼	Weight	78
Depth	31	Seat Depth	21¾	Back Height	29½	Cubic Ft.	21.7
Height	29½	Seat Height	16¼	Back Width	26½		

- Contrasting fabric option – specify X (i.e., N95AATPX); see page 581. For list pricing, use your electronic specification tool or contact customer service

### 2 SEAT LOUNGE VERTICAL TUFT PLINTH BASE



Arms

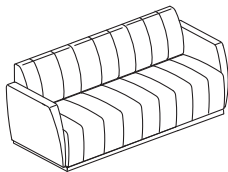
		A	B	C	D	E	F	G	H	I
		J	K	L	M	N	O	P	Q	R
N95BBTP	Arms	4851	5170	5410	5668	5952	6253	6503	6812	7122
		7440	7922	8902	9513	9831	10149	10467	10785	11086

#### DIMENSIONS

Width	59¼	Seat Width	51½	Arm Height	24¼	Weight	120
Depth	31	Seat Depth	21¾	Back Height	29½	Cubic Ft.	39.8
Height	29½	Seat Height	16¼	Back Width	51½		

- Contrasting fabric option – specify X (i.e., N95BBTPX); see page 581. For list pricing, use your electronic specification tool or contact customer service

### 3 SEAT LOUNGE VERTICAL TUFT PLINTH BASE



Arms

		A	B	C	D	E	F	G	H	I
		J	K	L	M	N	O	P	Q	R
N95CCTP	Arms	6131	6552	6872	7214	7590	7989	8319	8730	9140
		9562	10200	11500	12309	12731	13153	13575	13997	14396

#### DIMENSIONS

Width	83	Seat Width	79½	Arm Height	24¼	Weight	155
Depth	31	Seat Depth	21¾	Back Height	29½	Cubic Ft.	56.9
Height	29½	Seat Height	16¼	Back Width	79½		

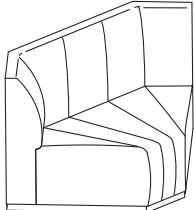
- Contrasting fabric option – specify X (i.e., N95CCTPX); see page 581. For list pricing, use your electronic specification tool or contact customer service

**TO ORDER, SPECIFY:**

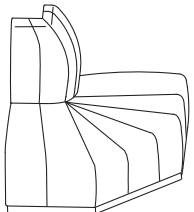
1. Model Number
2. Ganging
3. Fabric Grade Number
4. Cover Number

- See page 579 for Swift options
- See pages 597-599 for COM fabric yardage

**90° CORNER LOUNGE  
VERTICAL TUFT  
PLINTH BASE**



90° Inside Corner



90° Outside Corner

**MODEL  
NO.**

**ALLIANCE PROGRAM PRICE GRADES**

		A	B	C	D	E	F	G	H	I
		J	K	L	M	N	O	P	Q	R
N95MKTP	Inside Corner	\$ 3894	4083	4225	4378	4547	4725	4873	5057	5240
		5429	5715	6296	6658	6847	7036	7224	7413	7591
N95MKATP	Outside Corner	3841	3996	4114	4240	4378	4525	4647	4798	4950
		5105	5340	5819	6117	6273	6428	6583	6739	6886

**DIMENSIONS - INSIDE CORNER**

Width	50½	Seat Height	16¼	Weight	56
Depth	30	Back Height	29½	Cubic Ft.	30
Height	29½				

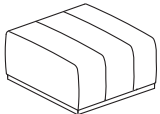
• Contrasting fabric option – specify X (i.e., N95MKATPX); see page 581. For list pricing, use your electronic specification tool or contact customer service

**DIMENSIONS - OUTSIDE CORNER**

Width	48¾	Seat Height	16¼	Weight	56
Depth	33¾	Back Height	29½	Cubic Ft.	30
Height	29½				

• Contrasting fabric option – specify X (i.e., N95MKATPX); see page 581. For list pricing, use your electronic specification tool or contact customer service

**1 SEAT BENCH  
VERTICAL TUFT  
PLINTH BASE**



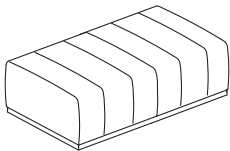
		A	B	C	D	E	F	G	H	I
		J	K	L	M	N	O	P	Q	R
N95DDTP	1 Seat Bench	\$ 2095	2206	2290	2380	2479	2584	2671	2779	2887
		2998	3166	3508	3721	3832	3943	4054	4165	4270

**DIMENSIONS**

Width	26¼	Weight	35
Depth	30	Cubic Ft.	10.9
Height	16¼		

• Contrasting fabric option – specify X (i.e., N95DDTPX); see page 581. For list pricing, use your electronic specification tool or contact customer service

**2 SEAT BENCH  
VERTICAL TUFT  
PLINTH BASE**



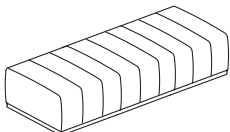
		A	B	C	D	E	F	G	H	I
		J	K	L	M	N	O	P	Q	R
N95EETP	2 Seat Bench	\$ 2896	3051	3169	3295	3433	3580	3702	3853	4005
		4160	4395	4874	5172	5328	5483	5638	5794	5941

**DIMENSIONS**

Width	51½	Weight	65
Depth	30	Cubic Ft.	21.6
Height	16¼		

• Contrasting fabric option – specify X (i.e., N95EETPX); see page 581. For list pricing, use your electronic specification tool or contact customer service

**3 SEAT BENCH  
VERTICAL TUFT  
PLINTH BASE**



		A	B	C	D	E	F	G	H	I
		J	K	L	M	N	O	P	Q	R
N95GGTP	3 Seat Bench	\$ 3799	4062	4260	4473	4708	4956	5162	5418	5673
		5936	6334	7143	7647	7910	8173	8435	8698	8946

**DIMENSIONS**

Width	76	Weight	95
Depth	30	Cubic Ft.	32.3
Height	16¼		

• Contrasting fabric option – specify X (i.e., N95GGTPX); see page 581. For list pricing, use your electronic specification tool or contact customer service

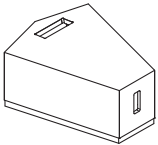
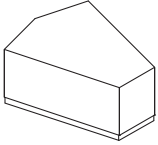
# SWIFT

## TO ORDER, SPECIFY:

1. Model Number
2. Surface Grommet
3. Side Grommet
4. Ganging
5. Wood/Laminate Finish

• See page 579 for Swift options

### 30° TABLE PLINTH BASE



#### MODEL NO.

#### LIST PRICE

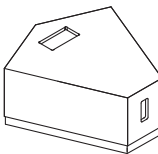
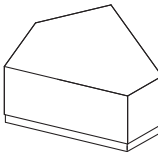
N95KKWP	Wood	\$ 2106
N95KKLP	Laminate	1977

#### DIMENSIONS

Width	25	Weight	40
Depth	30¼	Cubic Ft.	12.6
Height	16½		

• Optional surface and side grommet locations are available

### 45° TABLE PLINTH BASE



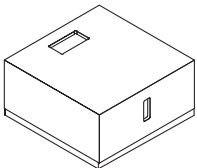
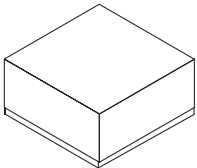
N95LLWP	Wood	\$ 2279
N95LLLP	Laminate	2149

#### DIMENSIONS

Width	31½	Weight	45.2
Depth	32¼	Cubic Ft.	16.3
Height	16½		

• Optional surface and side grommet locations are available

### 90° TABLE PLINTH BASE



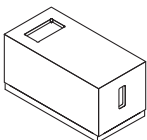
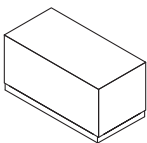
N95NNWP	Wood	\$ 2365
N95NNLP	Laminate	2237

#### DIMENSIONS

Width	28	Weight	47.8
Depth	28	Cubic Ft.	13.1
Height	16½		

• Optional surface and side grommet locations are available

### SMALL END TABLE PLINTH BASE



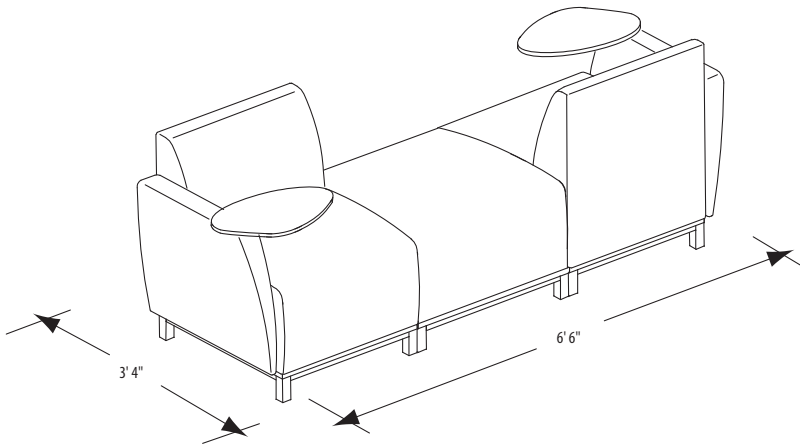
N95PPWP	Wood	\$ 1761
N95PPLP	Laminate	1634

#### DIMENSIONS

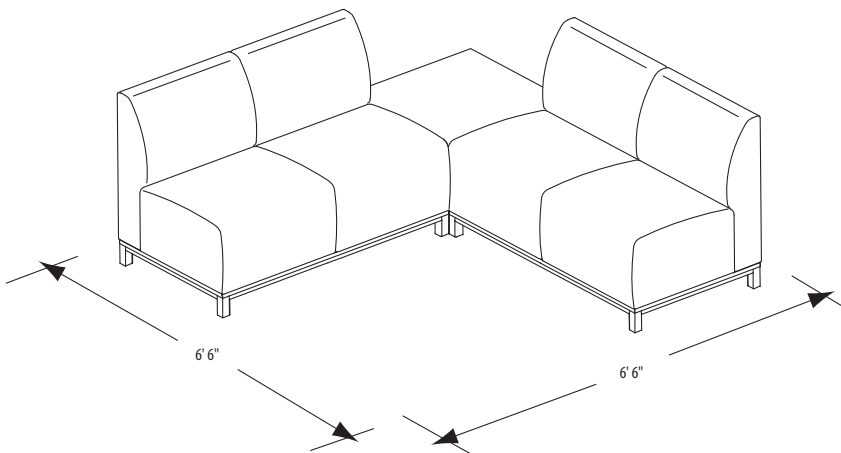
Width	14	Weight	31.8
Depth	28	Cubic Ft.	7.5
Height	16½		

• Optional surface and side grommet locations are available

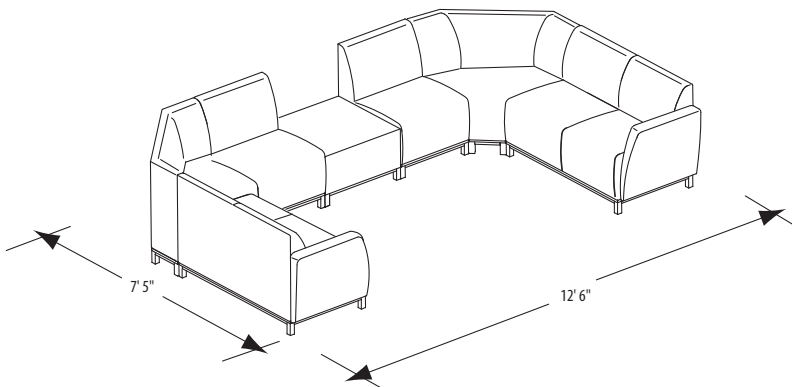




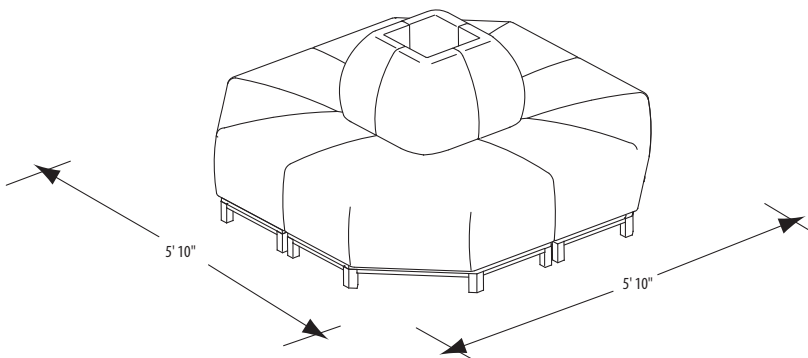
MODEL NO.	QUANTITY	DESCRIPTION	GRADE A LIST PRICE
N95MART	(2)	Tablet Right Arm	\$ 3470 ea
N95DD	(1)	1 Seat Bench	2071
N95TR	(2)	Ganging Bracket Kit	122 ea
Total			\$ 9255



MODEL NO.	QUANTITY	DESCRIPTION	GRADE A LIST PRICE
N95MB	(2)	Armless 2 Seat Lounge	\$ 3876 ea
N95NNW	(1)	90° Table, Wood	2365
N95TR	(2)	Ganging Bracket Kit	122 ea
Total			\$ 10,361



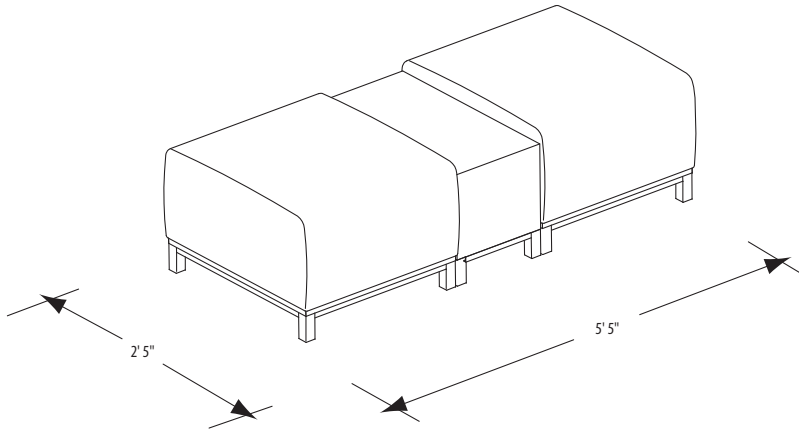
MODEL NO.	QUANTITY	DESCRIPTION	GRADE A LIST PRICE
N95MBR	(1)	2 Seat Right Arm	\$ 4249
N95MK	(2)	90° Inside Corner	3847 ea
N95MA	(2)	1 Seat Armless	2660 ea
N95MBL	(1)	2 Seat Left Arm	4249
N95NNW	(1)	90° Table, Wood	2365
N95TR	(6)	Ganging Bracket Kit	122 ea
Total			\$ 24,609



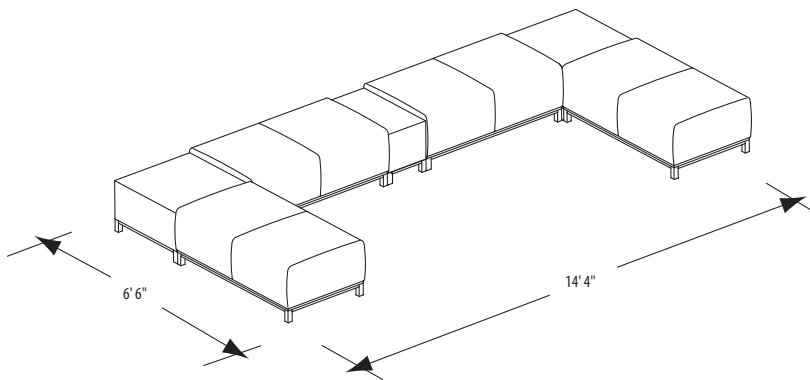
MODEL NO.	QUANTITY	DESCRIPTION	GRADE A LIST PRICE
N95MKA	(4)	90° Outside Corner	\$ 3776 ea
N95TR	(4)	Ganging Bracket Kit	122 ea
Total			\$ 15,592

# SWIFT

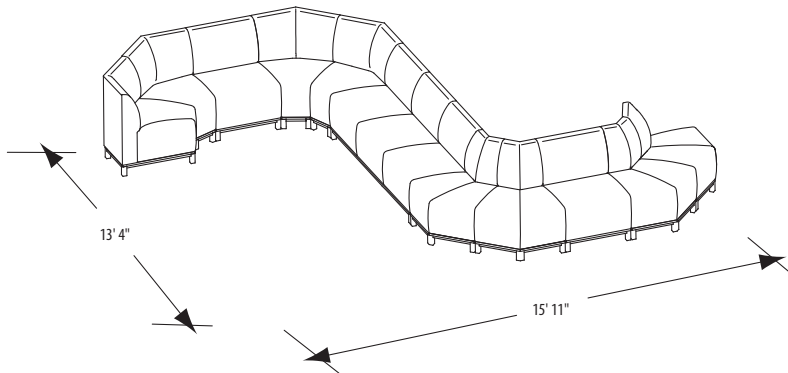
SWIFT



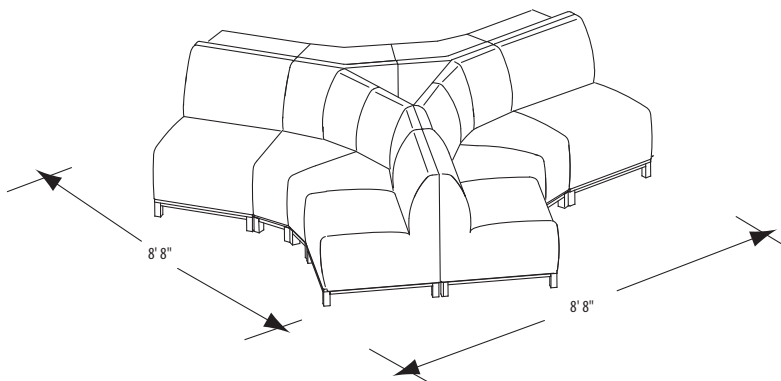
MODEL NO.	QUANTITY	DESCRIPTION	GRADE A LIST PRICE
N95DD	(2)	1 Seat Bench	\$ 2071 ea
N95PPW	(1)	Small End Table, Wood	1761
N95TR	(2)	Ganging Bracket Kit	122 ea
Total			\$ 6147



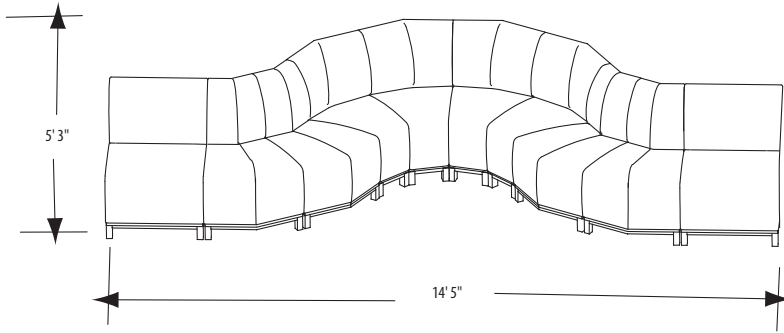
MODEL NO.	QUANTITY	DESCRIPTION	GRADE A LIST PRICE
N95EE	(4)	2 Seat Bench	\$ 2849 ea
N95NNW	(2)	90° Table, Wood	2365 ea
N95PPW	(1)	Small End Table, Wood	1761
N95TR	(6)	Ganging Bracket Kit	122 ea
Total			\$ 18,619



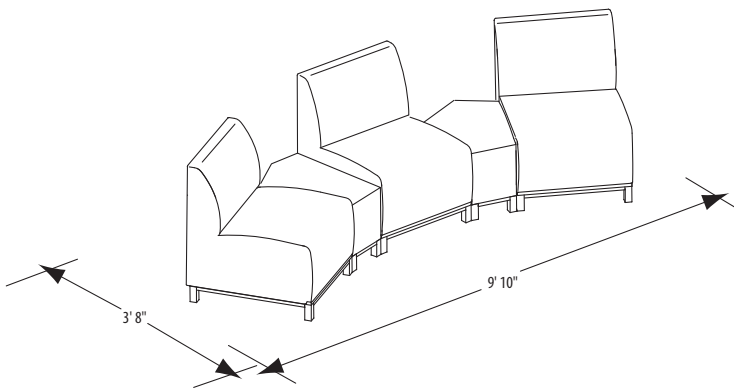
MODEL NO.	QUANTITY	DESCRIPTION	GRADE A LIST PRICE
N95MJ	(4)	45° Inside Corner	\$ 2960 ea
N95MJA	(4)	45° Outside Corner	2936 ea
N95MA	(2)	1 Seat Armless	2660 ea
N95MC	(1)	3 Seat Armless	5106
N95TR	(10)	Ganging Bracket Kit	122 ea
Total			\$ 35,230



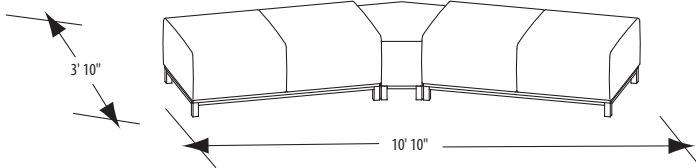
MODEL NO.	QUANTITY	DESCRIPTION	GRADE A LIST PRICE
N95MA	(6)	1 Seat Armless	\$ 2660 ea
N95MH	(6)	30° Inside Corner	2544 ea
N95TR	(9)	Ganging Bracket Kit	122 ea
Total			\$ 32,322



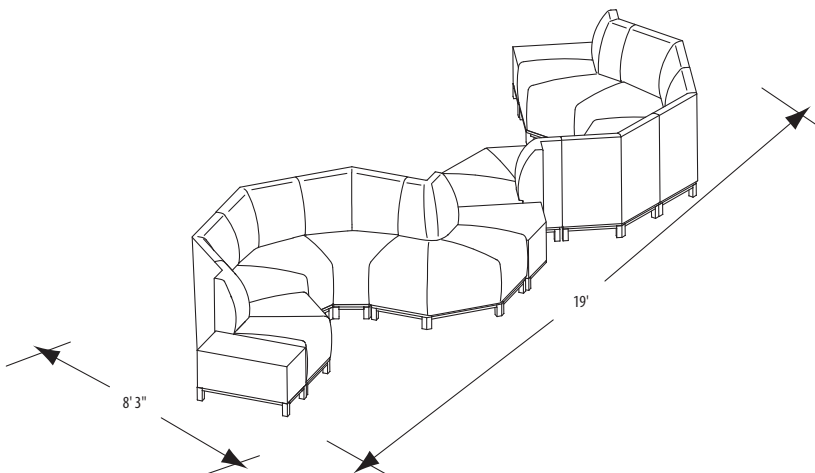
MODEL NO.	QUANTITY	DESCRIPTION	GRADE A LIST PRICE
N95MA	(2)	1 Seat Armless	\$ 2660 ea
N95MHA	(4)	30° Outside Corner	2533 ea
N95MH	(4)	30° Inside Corner	2544 ea
N95TR	(9)	Ganging Bracket Kit	122 ea
Total			\$ 26,726



MODEL NO.	QUANTITY	DESCRIPTION	GRADE A LIST PRICE
N95MA	(3)	1 Seat Armless	\$ 2660 ea
N95KKW	(2)	30° Corner Table	2106 ea
N95TR	(4)	Ganging Bracket Kit	122 ea
Total			\$ 12,680

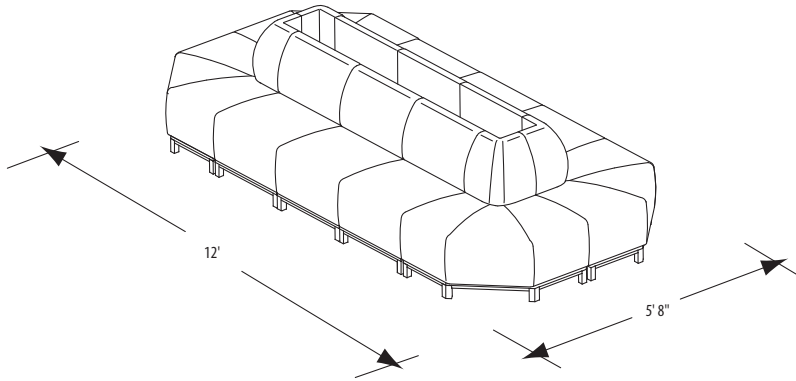


MODEL NO.	QUANTITY	DESCRIPTION	GRADE A LIST PRICE
N95EE	(2)	2 Seat Bench	\$ 2849 ea
N95KKW	(1)	30° Corner Table	2106
N95TR	(2)	Ganging Bracket Kit	122 ea
Total			\$ 8048

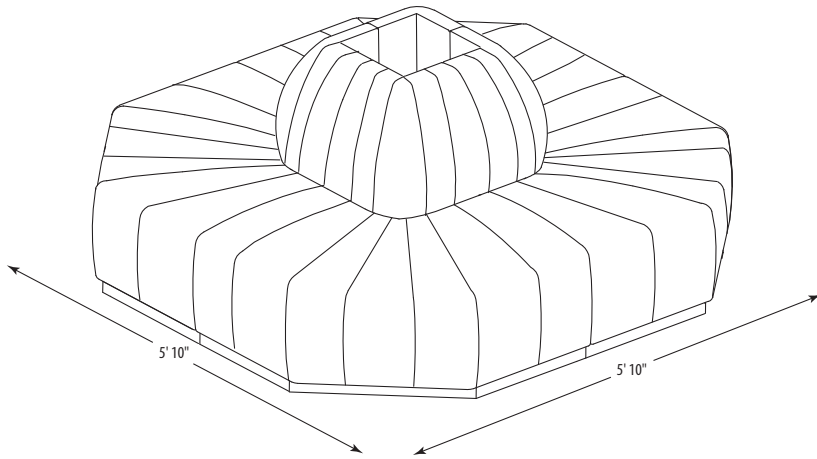


MODEL NO.	QUANTITY	DESCRIPTION	GRADE A LIST PRICE
N95PPW	(2)	Small End Table, Wood	\$ 1761 ea
N95MJA	(2)	45° Outside Corner Unit	2936 ea
N95MJ	(6)	45° Inside Corner Unit	2960 ea
N95MKA	(2)	90° Outside Corner Unit	3776 ea
N95KKW	(1)	30° Corner Table	2106
N95TR	(11)	Ganging Bracket Kit	122 ea
Total			\$ 38,154

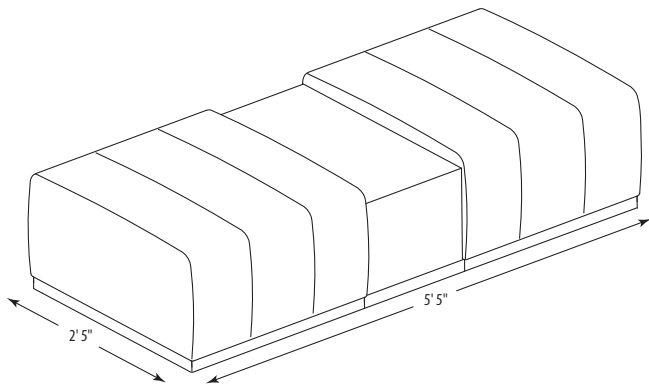
SWIFT



MODEL NO.	QUANTITY	DESCRIPTION	GRADE A LIST PRICE
N95MKA	(4)	90° Outside Corner Unit	\$ 3776 ea
N95MA	(6)	1 Seat Armless	2660 ea
N95TR	(20)	Ganging Bracket Kit	122 ea
Total			\$ 33,504



MODEL NO.	QUANTITY	DESCRIPTION	GRADE A LIST PRICE
N95MKATP	(4)	90° Outside Corner (Price includes Vertical Plinth Base Ganging Left and Right (LR) Option \$138 each)	\$ 3979 ea
Total			\$ 15,916



MODEL NO.	QUANTITY	DESCRIPTION	GRADE A LIST PRICE
N95DDTP	(2)	One Seat Bench Vertical Stitch Plinth Base (Price includes Ganging Left (L) and Ganging Right (R) Options +\$69 each)	\$ 2164 ea
N95PPWP	(1)	Small End Table Plinth Base, Wood (Price includes Ganging Left and Right (LR) Option \$138)	1899
Total			\$ 6227

**COM YARDAGE REQUIREMENTS (54" WIDTH – CUT UP THE ROLL)**

MODEL	RAILROADED Contact customer service 800-634-9510 for ydg requirements	NON DIRECTIONAL OR SOLID	1"-4" REPEAT	5"-11" REPEAT	12"-18" REPEAT	COL SQUARE FEET
			4" VERTICAL X 4" HORIZONTAL	11" VERTICAL X 11" HORIZONTAL	18" VERTICAL X 18" HORIZONTAL	
N95AA, N95AAC, N95AAL, N95AALC, N95AAR, N95AARC		5.80	7.00	8.40	9.50	116
N95AATP	Complete	6.90	8.00	9.90	10.60	136
N95AAX, N95AACX, N95AALX, N95AALCX, N95AARX, N95AARCX	Back	0.90	1.00	1.10	1.00	8
	Extreme	1.00	1.00	1.20	1.10	9
	Back Accent	1.00	1.00	1.20	1.10	6
	Seat	1.30	1.40	1.80	1.70	12
	Seat Accent	1.00	1.00	1.20	1.30	17
	Arm	2.50	2.80	3.80	4.00	48
N95AATPX	Back	1.20	1.20	1.50	2.10	23
	Extreme	1.00	1.00	1.20	1.10	9
	Back Accent	1.00	1.00	1.20	1.80	11
	Seat	1.70	1.80	2.10	2.30	33.50
	Seat Accent	1.00	1.30	1.50	1.80	19
	Arm	2.50	3.20	4.50	4.30	48.50
N95BB, N95BBB, N95BBL, N95BBR		7.00	10.60	12.70	13.90	140
N95BBTP	Complete	10.40	11.60	13.90	14.10	205
N95BBX, N95BBBX, N95BBLX, N95BBRX	Back	1.40	1.70	2.00	2.00	26
	Extreme	1.80	1.90	2.10	2.10	34
	Back Accent	1.00	1.00	1.20	1.10	6
	Seat	1.90	3.40	4.00	4.30	35
	Seat Accent	1.00	1.00	1.20	1.30	17
	Arm	2.50	2.80	3.80	4.00	48
N95BBTPX	Back	2.20	2.30	2.70	3.60	44
	Extreme	1.80	1.90	2.10	2.10	34
	Back Accent	1.00	1.00	1.20	1.80	11
	Seat	3.30	3.50	3.90	4.30	65
	Seat Accent	1.00	1.30	1.50	1.80	19
	Arm	2.50	3.20	4.50	4.30	48.50
N95CC, N95CCB, N95CCL, N95CCR		9.00	14.10	16.30	18.40	179
N95CCTP	Complete	13.80	15.10	17.90	18.10	273
N95CCTPX	Back	3.30	3.50	3.90	5.10	64.50
	Extreme	2.60	2.80	3.00	3.00	50.50
	Back Accent	1.00	1.00	1.20	1.80	11
	Seat	4.90	5.20	5.70	6.30	96.50
	Seat Accent	1.00	1.30	1.50	1.80	19
	Arm	2.50	3.20	4.50	4.30	48.50
N95CCX, N95CCBX, N95CCCLX, N95CCRX	Back	1.70	2.50	3.00	3.00	31
	Extreme	2.60	2.80	3.00	3.00	50.50
	Back Accent	1.00	1.00	1.20	1.10	6
	Seat	3.00	5.30	6.10	6.80	58
	Seat Accent	1.00	1.20	1.20	1.30	17
	Arm	2.50	2.80	3.80	4.00	48
N95DD, N95DDC		2.60	2.90	3.20	3.50	52
N95DDX, N95DDCX	Seat	1.70	1.80	1.80	1.90	22.50
	Seat Accent	1.00	1.00	1.30	1.40	18
N95EE		3.40	5.50	6.20	6.50	68
N95EEX	Seat	2.60	4.50	4.90	5.40	49.25
	Seat Accent	1.00	1.00	1.30	1.40	18
N95GG		5.90	8.00	9.30	9.50	118
N95GGX	Seat	5.00	7.00	8.00	8.40	98
	Seat Accent	1.00	1.00	1.30	1.40	18
N95MA, N95MAC		3.20	4.30	5.00	5.40	64
N95MAL, N95MALT, N95MAR, N95MART		4.20	5.70	6.60	7.40	84

# COM YARDAGE REQUIREMENTS

SWIFT

## COM YARDAGE REQUIREMENTS (54" WIDTH – CUT UP THE ROLL)

MODEL	RAILROADED Contact customer service 800-634-9510 for ydg requirements	NON DIRECTIONAL OR SOLID	1"-4" REPEAT	5"-11" REPEAT	12"-18" REPEAT	COL SQUARE FEET
			4" VERTICAL X 4" HORIZONTAL	11" VERTICAL X 11" HORIZONTAL	18" VERTICAL X 18" HORIZONTAL	
N95MALX, N95MALT N95MARX, N95MARTX	Back	0.90	1.00	1.10	1.00	8
	Extreme	1.00	1.00	1.20	1.10	9
	Back Accent	1.00	1.00	1.20	1.10	6
	Seat	1.30	1.40	1.80	1.70	12
	Seat Accent	1.00	1.00	1.20	1.30	17
	Arm	1.50	1.50	2.00	2.00	27
N95MAX, N95MACX	Back	0.90	1.00	1.10	1.00	8
	Extreme	1.00	1.00	1.20	1.10	9
	Back Accent	1.00	1.00	1.20	1.10	6
	Seat	1.30	1.40	1.80	1.70	12
	Seat Accent	1.00	1.00	1.20	1.30	17
N95MB		5.10	7.90	9.30	9.90	102
N95MBL, N95MBLT, N95MBR, N95MBRT		6.10	9.20	10.50	11.90	122
N95MBLX, N95MBLT N95MBRX, N95MBRTX	Back	1.40	1.70	2.00	2.00	26
	Extreme	1.80	1.90	2.10	2.10	34
	Back Accent	1.00	1.00	1.20	1.10	6
	Seat	1.90	3.40	4.00	4.30	35
	Seat Accent	1.00	1.00	1.20	1.30	17
	Arm	1.50	1.50	2.00	2.00	27
N95MBX	Back	1.40	1.70	2.00	2.00	26
	Extreme	1.80	1.90	2.10	2.10	34
	Back Accent	1.00	1.00	1.20	1.10	6
	Seat	1.90	3.40	4.00	4.30	35
	Seat Accent	1.00	1.00	1.20	1.30	17
N95MC		7.10	11.40	13.00	14.40	142
N95MCL, N95MCLT, N95MCR, N95MCRT		8.10	12.80	14.50	16.40	162
N95MCLX, N95MCLT N95MCRX, N95MCRTX	Back	1.70	2.50	3.00	3.00	31
	Extreme	2.60	2.80	3.00	3.00	50.50
	Back Accent	1.00	1.00	1.20	1.10	6
	Seat	3.00	5.30	6.10	6.80	58
	Seat Accent	1.00	1.00	1.20	1.30	17
	Arm	1.50	1.50	2.00	2.00	27
N95MCX	Back	1.70	2.50	3.00	3.00	31
	Extreme	2.60	2.80	3.00	3.00	50.50
	Back Accent	1.00	1.00	1.20	1.10	6
	Seat	3.00	5.30	6.10	6.80	58
	Seat Accent	1.00	1.00	1.20	1.30	17
N95MH		2.60	3.30	4.10	5.00	52
N95MHX	Back	0.90	1.00	1.10	1.00	17
	Extreme	1.00	1.00	1.20	1.10	10.50
	Back Accent	1.00	1.00	1.20	1.10	6
	Seat	1.40	1.40	1.70	1.80	26.50
	Seat Accent	1.00	1.00	1.20	1.30	17
N95MHA		2.60	3.40	4.10	4.40	52
N95MHAX	Back	0.90	1.00	1.10	1.00	17
	Extreme	1.00	1.00	1.20	1.10	10.50
	Back Accent	1.00	1.00	1.20	1.10	6
	Seat	1.50	1.60	1.70	1.80	28
	Seat Accent	1.00	1.00	1.20	1.30	17
N95MJ		3.30	3.70	5.00	5.20	66
N95MJX	Back	1.00	1.00	1.20	1.00	17
	Extreme	1.00	1.00	1.20	1.10	12.50
	Back Accent	1.00	1.00	1.20	1.10	6
	Seat	1.50	1.60	1.70	1.80	29
	Seat Accent	1.00	1.00	1.20	1.30	17
N95MJA		2.50	3.30	3.70	4.40	50

## COM YARDAGE REQUIREMENTS

### COM YARDAGE REQUIREMENTS (54" WIDTH – CUT UP THE ROLL)

MODEL	RAILROADED Contact customer service 800-634-9510 for ydg requirements	NON DIRECTIONAL OR SOLID	1"-4" REPEAT	5"-11" REPEAT	12"-18" REPEAT	COL SQUARE FEET
			4" VERTICAL X 4" HORIZONTAL	11" VERTICAL X 11" HORIZONTAL	18" VERTICAL X 18" HORIZONTAL	
N95MJAX	Back	0.90	0.90	1.10	1.00	15
	Extreme	1.00	1.00	1.20	1.10	4.50
	Back Accent	1.00	1.00	1.20	1.10	6
	Seat	1.50	1.60	1.70	3.30	28
	Seat Accent	1.00	1.00	1.20	1.30	17
N95MK		4.10	4.40	6.60	7.10	82
N95MKX	Back	1.70	1.70	2.00	2.00	31
	Extreme	1.80	1.90	2.10	2.10	34
	Back Accent	1.00	1.00	1.20	1.10	6
	Seat	1.40	1.50	1.70	1.80	26.50
	Seat Accent	1.00	1.00	1.20	1.30	17
N95MKA		3.40	3.70	4.60	6.00	68
N95MKAX	Back	0.90	1.00	1.10	1.00	15
	Extreme	1.00	1.00	1.20	1.10	6
	Back Accent	1.00	1.00	1.20	1.30	17
	Seat	2.00	2.20	2.60	4.70	39
	Seat Accent	1.00	1.00	1.20	1.30	17
N95MKATP	Complete	8.90	9.30	11.20	11.80	176
N95MKATPX	Back	3.30	3.50	3.90	5.10	64.50
	Extreme	1.00	1.00	1.20	1.10	6
	Back Accent	1.00	1.00	1.20	1.30	17
	Seat	4.90	5.20	5.70	6.30	96.50
	Seat Accent	1.00	1.00	1.20	1.30	17
N95MKTP	Complete	6.80	7.40	8.80	10.10	134
N95MKTPX	Back	3.80	4.00	5.00	5.10	75
	Extreme	1.80	1.90	2.10	2.10	34
	Back Accent	1.00	1.00	1.20	1.10	6
	Seat	2.70	2.80	3.00	3.60	53.50
	Seat Accent	1.00	1.00	1.20	1.30	17
N95DDTP	Complete	3.50	3.75	4.00	4.25	69.50
N95DDTPX	Seat	2.50	2.50	2.75	3.20	49.50
	Seat Accent	1.20	1.25	1.50	2.25	22.50
N95EETP	Complete	5.90	6.00	6.40	6.70	116.25
N95EETPX	Seat	4.90	5.00	5.20	5.70	96.30
	Seat Accent	1.20	1.25	1.50	2.25	22.50
N95GGTP	Complete	8.20	8.50	8.90	9.20	163.50
N95GGTPX	Seat	7.20	7.50	7.60	8.20	143.50
	Seat Accent	1.20	1.25	1.50	2.25	22.50

