
Tellaro

Product Specifications	622
Fabrics and Options	623
Contrasting Fabrics Specifications	624
Product Pages	625
COM Yardage Requirements	628

TELLARO

TELLARO PRODUCT SPECIFICATIONS

FRAME CONSTRUCTION

- Interior frame is constructed of plywood with tenon joints that are glued and screwed for maximum joint stability
- Separate interior components are joined with bolts
- Nylon ¾" adjustable leveling glide

SEAT CONSTRUCTION

- Seat cushions are tethered and feature 6" of high grade polyurethane foam, custom shaped and fabricated
- Black denim and ¼" felt insulator cover high tension strip webbing for comfort

BACK CONSTRUCTION

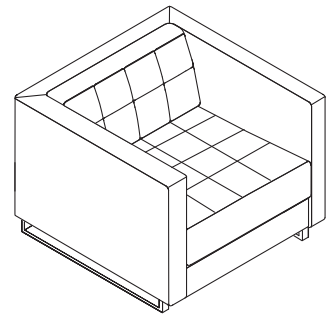
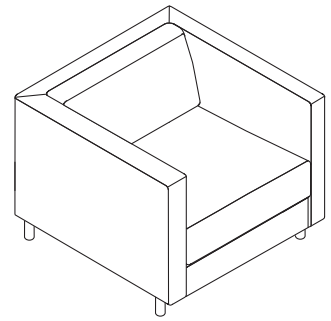
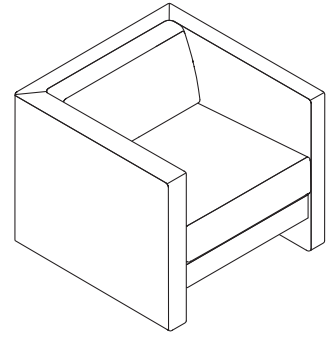
- 4½" of high grade polyurethane foam custom shaped and fabricated covers a plywood panel
- Panel is securely fastened to interior back frame with screws

ARM CONSTRUCTION

- Arms are wrapped with ½" of high grade polyurethane foam custom shaped, fabricated and slip-covered
- Arms are connected to seat and wall frame using 5 bolts per arm

LEGS

- Metal cylinder legs offered in Concrete, Cinder, Iron, Polished, Platinum Metallic, and Satin Nickel Metallic
- Metal U-legs offered in Cinder, Polished, Platinum Metallic, and Satin Nickel Metallic



SURFACE MATERIALS

See the Kimball Hospitality Surface Materials Reference Guide at kimballhospitality.com for a complete overview of our materials program, including:

- Characteristics of wood
- Special wood finishes
- Customer-specified laminate (CSL)
- Customer-specified paint (CSP)
- Fabric application and colorways
- Customer's own material (COM) process overview
- Alliance program

ALLIANCE FABRIC PROGRAM

Kimball Hospitality has analyzed each model to most accurately reflect the COM/COL yardage requirements shown on page 628.

The yardage requirement for each model is based on 54" W fabric and cutting the fabric up the roll.

If repeat is larger than 18", contact Customer Service to confirm the correct amount of yardage required. When ordering 10 or more chairs in the same COM, yardage requirements may be reduced.

Contact Customer Service.

PRICE GRADES A-R

See Surface Materials at www.kimballhospitality.com for a wide variety of graded-in fabrics from Arc-Com, CF Stinson, Designtex, Maharam, Momentum, and Ultrafabrics.

FABRIC SAMPLES

If you need samples for presentation(s), contact our alliance partners directly at:

Arc-Com	800.223.5466	arc-com.com
Designtex	800.221.1540	designtex.com
CF Stinson	800.841.6279	cfstinson.com
Maharam	800.645.3943	maharam.com
Momentum	800.366.6839	memosamples.com
Ultrafabrics	877.309.6648	ultrafabricsllc.com

METAL LEG COLORS

265	Polished
423	Concrete
462	Cinder
463	Iron
501	Platinum Metallic
503	Satin Nickel Metallic

WOOD LEG COLORS

AC	Autumn
AD	Almond
BZ	Brazilwood
CI	Chai
CL	Caramel
CW	Cordovan
DW	Judicial
HN	Honey
IM	Brighton
KN	Kona
MC	Amber
MH	Mocha
NM	Natural
PB	Portobello
PC	Porcini
PT	Portico
SK	Skyline
SM	Sonoma
TF	Truffle
WL	Willow
405	Designer White
462	Cinder
792	Sable
793	Acorn*

*Acorn is the finish complement to Clear Walnut finish

TO ORDER CONTRASTING FABRIC, SPECIFY

TELLARO

1 Seat Lounge page 625

1 Seat Lounge Cylinder Leg page 625

1 Seat Lounge U-Leg Metal page 625

1 Seat Lounge U-Leg Wood page 625

2½ Seat Lounge page 626

2½ Seat Lounge Cylinder Leg page 626

2½ Seat Lounge U-Leg Metal page 626

2½ Seat Lounge U-Leg Wood page 626

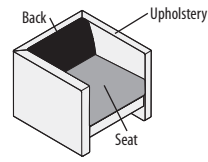
4 Seat Lounge page 627

4 Seat Lounge Cylinder Leg page 627

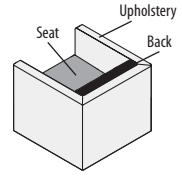
4 Seat Lounge U-Leg Metal page 627

4 Seat Lounge U-Leg Wood page 627

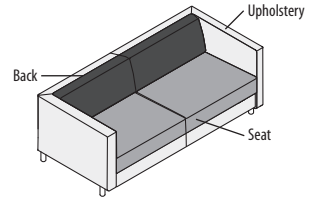
1. Model Number plus "X"
2. Back Fabric Grade Number/Cover Number
3. Seat Fabric Grade Number/Cover Number
4. Upholstery Fabric Grade Number/Cover Number



Contrasting Upholstery
Front View



Contrasting Upholstery
Back View



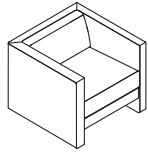
Contrasting Upholstery
Front View

TO ORDER, SPECIFY:

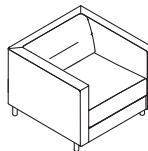
1. Model Number
2. Fabric Grade / Cover Number
3. Metal / Wood Leg Finish

- See page 623 for Tellaro options
- See pages 628-629 for COM fabric yardage

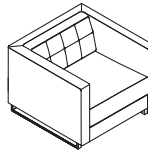
1 SEAT LOUNGE



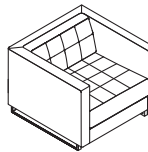
Fully Upholstered Leg
Non-Tufted



Cylinder Leg
Horizon Back Stitch



U-Leg Wood
Tufted Back



U-Leg Metal
Tufted Seat and Back

MODEL NO.

ALLIANCE PROGRAM PRICE GRADES

		A	B	C	D	E	F	G	H	I
		J	K	L	M	N	O	P	Q	R
FULLY UPHOLSTERED LEG										
N74M1A	Non-Tufted	\$ 2089	2248	2369	2501	2644	2798	2919	3079	3238
		3392	3640	4135	4443	4602	4767	4927	5086	5240
N74M1AT	Sewn-Tufted Back and Seat	2387	2584	2733	2897	3073	3264	3413	3611	3808
		3998	4304	4916	5297	5494	5698	5895	6093	6283
N74M1ATB	Sewn-Tufted Back	2240	2420	2557	2705	2867	3040	3177	3356	3536
		3710	3989	4547	4894	5074	5260	5440	5619	5793
N74M1AS	Horizon Back Stitch	2208	2367	2488	2620	2763	2917	3038	3198	3357
		3511	3759	4254	4562	4721	4886	5046	5205	5359
CYLINDER LEG										
N74M1AC	Non-Tufted	\$ 2337	2475	2580	2694	2817	2950	3055	3192	3330
		3463	3677	4104	4370	4508	4651	4788	4926	5059
N74M1ATC	Sewn-Tufted Back and Seat	2633	2807	2939	3083	3239	3407	3539	3713	3887
		4055	4325	4865	5201	5375	5555	5729	5903	6071
N74M1ATBC	Sewn-Tufted Back	2492	2651	2772	2904	3047	3201	3322	3482	3641
		3795	4043	4538	4846	5005	5170	5330	5489	5643
N74M1ASC	Horizon Back Stitch	2456	2594	2699	2813	2936	3069	3174	3311	3449
		3582	3796	4223	4489	4627	4770	4907	5045	5178
U-LEG WOOD										
N74M1AUW	Non-Tufted	\$ 2565	2703	2808	2922	3045	3178	3283	3420	3558
		3691	3905	4332	4598	4736	4879	5016	5154	5287
N74M1ATUW	Sewn-Tufted Back and Seat	2860	3034	3166	3310	3466	3634	3766	3940	4114
		4282	4552	5092	5428	5602	5782	5956	6130	6298
N74M1ATBUW	Sewn-Tufted Back	2719	2878	2999	3131	3274	3428	3549	3709	3868
		4022	4270	4765	5073	5232	5397	5557	5716	5870
N74M1ASUW	Horizon Back Stitch	2683	2821	2926	3040	3163	3296	3401	3538	3676
		3809	4023	4450	4716	4854	4997	5134	5272	5405
U-LEG METAL										
N74M1AUM	Non-Tufted	\$ 2621	2759	2864	2978	3101	3234	3339	3476	3614
		3747	3961	4388	4654	4792	4935	5072	5210	5343
N74M1ATUM	Sewn-Tufted Back and Seat	2918	3092	3224	3368	3524	3692	3824	3998	4172
		4340	4610	5150	5486	5660	5840	6014	6188	6356
N74M1ATBUM	Sewn-Tufted Back	2776	2935	3056	3188	3331	3485	3606	3766	3925
		4079	4327	4822	5130	5289	5454	5614	5773	5927
N74M1ASUM	Horizon Back Stitch	2740	2878	2983	3097	3220	3353	3458	3595	3733
		3866	4080	4507	4773	4911	5054	5191	5329	5462

DIMENSIONS

Width	30%	Seat Width	24	Weight	83
Depth	32%	Seat Depth	21½	Cubic Ft.	23.5
Height	26%	Seat Height	16%		

- Contrasting fabric option - specify X (i.e. N74M1AX); see page 624. For list pricing, use your electronic specification tool or contact customer service
- Sewn tufted detail on stripes and large patterns are not recommended, as the fabric will appear distorted or wavy across the back and seat

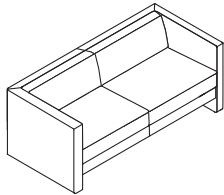
TELLARO

TO ORDER, SPECIFY:

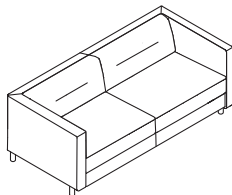
1. Model Number
2. Fabric Grade / Cover Number
3. Metal / Wood Leg Finish

- See page 623 for Tellaro options
- See pages 628-629 for COM fabric yardage

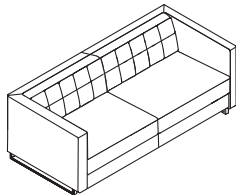
2½ SEAT LOUNGE



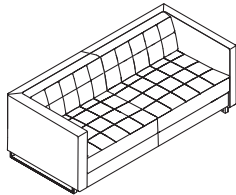
Fully Upholstered Leg
Non-Tufted



Cylinder Leg
Horizon Back Stitch



U-Leg Wood
Tufted Back



U-Leg Metal
Tufted Seat and Back

MODEL NO.

ALLIANCE PROGRAM PRICE GRADES

		A	B	C	D	E	F	G	H	I
		J	K	L	M	N	O	P	Q	R
FULLY UPHOLSTERED LEG										
N74M2A	Non-Tufted	\$ 3385	3652	3855	4075	4315	4572	4775	5041	5308
		5566	5980	6808	7323	7590	7866	8133	8399	8657
N74M2AT	Sewn-Tufted Back and Seat	3809	4119	4355	4611	4890	5189	5425	5735	6045
		6345	6826	7789	8389	8699	9020	9330	9640	9940
N74M2ATB	Sewn-Tufted Back	3581	3860	4071	4301	4551	4820	5031	5309	5588
		5856	6288	7152	7690	7968	8256	8535	8813	9082
N74M2AS	Horizon Back Stitch	3562	3829	4032	4252	4492	4749	4952	5218	5485
		5743	6157	6985	7500	7767	8043	8310	8576	8834
CYLINDER LEG										
N74M2AC	Non-Tufted	\$ 3641	3891	4080	4286	4510	4751	4940	5189	5439
		5679	6066	6840	7322	7571	7829	8079	8328	8569
N74M2ATC	Sewn-Tufted Back and Seat	4061	4351	4571	4811	5071	5351	5571	5861	6151
		6431	6881	7781	8341	8631	8931	9221	9511	9791
N74M2ATBC	Sewn-Tufted Back	3861	4136	4345	4573	4820	5086	5295	5571	5846
		6112	6540	7395	7927	8202	8487	8763	9038	9304
N74M2ASC	Horizon Back Stitch	3818	4068	4257	4463	4687	4928	5117	5366	5616
		5856	6243	7017	7499	7748	8006	8256	8505	8746
U-LEG WOOD										
N74M2AUW	Non-Tufted	\$ 3868	4118	4307	4513	4737	4978	5167	5416	5666
		5906	6293	7067	7549	7798	8056	8306	8555	8796
N74M2ATUW	Sewn-Tufted Back and Seat	4288	4578	4798	5038	5298	5578	5798	6088	6378
		6658	7108	8008	8568	8858	9158	9448	9738	10018
N74M2ATBUW	Sewn-Tufted Back	4087	4362	4571	4799	5046	5312	5521	5797	6072
		6338	6766	7621	8153	8428	8713	8989	9264	9530
N74M2ASUW	Horizon Back Stitch	4044	4294	4483	4689	4913	5154	5343	5592	5842
		6082	6469	7243	7725	7974	8232	8482	8731	8972
U-LEG METAL										
N74M2AUM	Non-Tufted	\$ 3925	4175	4364	4570	4794	5035	5224	5473	5723
		5963	6350	7124	7606	7855	8113	8363	8612	8853
N74M2ATUM	Sewn-Tufted Back and Seat	4345	4635	4855	5095	5355	5635	5855	6145	6435
		6715	7165	8065	8625	8915	9215	9505	9795	10075
N74M2ATBUM	Sewn-Tufted Back	4144	4419	4628	4856	5103	5369	5578	5854	6129
		6395	6823	7678	8210	8485	8770	9046	9321	9587
N74M2ASUM	Horizon Back Stitch	4101	4351	4540	4746	4970	5211	5400	5649	5899
		6139	6526	7300	7782	8031	8289	8539	8788	9029

DIMENSIONS

Width	67%	Seat Width	60	Weight	135
Depth	32%	Seat Depth	21½	Cubic Ft.	49.1
Height	26%	Seat Height	16%		

- Contrasting fabric option - specify X (i.e. N74M2AX); see page 624. For list pricing, use your electronic specification tool or contact customer service
- Sewn tufted detail on stripes and large patterns are not recommended, as the fabric will appear distorted or wavy across the back and seat

TO ORDER, SPECIFY:

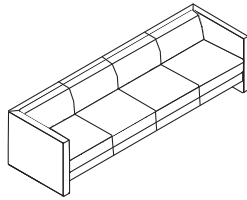
1. Model Number
2. Fabric Grade / Cover Number
3. Metal / Wood Leg Finish

- See page 623 for Tellaro options
- See pages 628-629 for COM fabric yardage

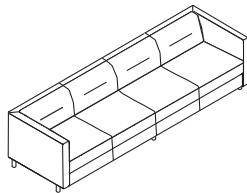
4 SEAT LOUNGE

MODEL NO.

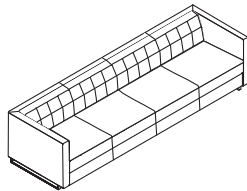
ALLIANCE PROGRAM PRICE GRADES



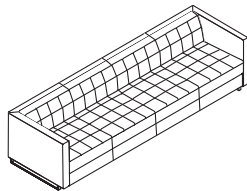
Fully Upholstered Leg
Non-Tufted



Cylinder Leg
Horizon Back Stitch



U-Leg Wood
Tufted Back



U-Leg Metal
Tufted Seat and Back

			A	B	C	D	E	F	G	H	I
			J	K	L	M	N	O	P	Q	R
FULLY UPHOLSTERED LEG											
N74M4A	Non-Tufted	\$	4915	5252	5507	5785	6087	6412	6667	7003	7340
			7664	8186	9230	9880	10216	10564	10901	11237	11562
N74M4AT	Sewn-Tufted Back and Seat		5614	6089	6450	6844	7270	7729	8090	8566	9041
			9501	10239	11715	12633	13109	13601	14076	14552	15011
N74M4ATB	Sewn-Tufted Back		5276	5689	6003	6345	6715	7114	7428	7841	8254
			8653	9294	10577	11375	11788	12216	12629	13042	13441
N74M4AS	Horizon Back Stitch		5151	5488	5743	6021	6323	6648	6903	7239	7576
			7900	8422	9466	10116	10452	10800	11137	11473	11798
CYLINDER LEG											
N74M4AC	Non-Tufted	\$	5196	5460	5660	5878	6115	6370	6570	6834	7098
			7352	7762	8581	9091	9354	9627	9891	10155	10410
N74M4ATC	Sewn-Tufted Back and Seat		5894	6297	6603	6937	7298	7687	7993	8396	8799
			9189	9814	11065	11844	12247	12664	13067	13470	13859
N74M4ATBC	Sewn-Tufted Back		5558	5900	6159	6443	6749	7080	7339	7682	8024
			8354	8885	9947	10608	10950	11304	11646	11989	12319
N74M4ASC	Horizon Back Stitch		5431	5695	5895	6113	6350	6605	6805	7069	7333
			7587	7997	8816	9326	9589	9862	10126	10390	10645
U-LEG WOOD											
N74M4AUW	Non-Tufted	\$	5366	5630	5830	6048	6285	6540	6740	7004	7268
			7522	7932	8751	9261	9524	9797	10061	10325	10580
N74M4ATUW	Sewn-Tufted Back and Seat		6064	6467	6773	7107	7468	7857	8163	8566	8969
			9359	9984	11235	12014	12417	12834	13237	13640	14029
N74M4ATBUW	Sewn-Tufted Back		5729	6071	6330	6614	6920	7251	7510	7853	8195
			8525	9056	10118	10779	11121	11475	11817	12160	12490
N74M4ASUW	Horizon Back Stitch		5602	5866	6066	6284	6521	6776	6976	7240	7504
			7758	8168	8987	9497	9760	10033	10297	10561	10816
U-LEG METAL											
N74M4AUM	Non-Tufted	\$	5423	5687	5887	6105	6342	6597	6797	7061	7325
			7579	7989	8808	9318	9581	9854	10118	10382	10637
N74M4ATUM	Sewn-Tufted Back and Seat		6120	6523	6829	7163	7524	7913	8219	8622	9025
			9415	10040	11291	12070	12473	12890	13293	13696	14085
N74M4ATBUM	Sewn-Tufted Back		5786	6128	6387	6671	6977	7308	7567	7910	8252
			8582	9113	10175	10836	11178	11532	11874	12217	12547
N74M4ASUM	Horizon Back Stitch		5659	5923	6123	6341	6578	6833	7033	7297	7561
			7815	8225	9044	9554	9817	10090	10354	10618	10873

DIMENSIONS

Width	103½"	Seat Width	96½"	Weight	202.4
Depth	32"	Seat Depth	21½"	Cubic Ft.	74.8
Height	26"	Seat Height	16"		

- Contrasting fabric option - specify X (i.e. N74M4AX); see page 624. For list pricing, use your electronic specification tool or contact customer service
- Sewn tufted detail on stripes and large patterns are not recommended, as the fabric will appear distorted or wavy across the back and seat

COM YARDAGE REQUIREMENTS

COM YARDAGE REQUIREMENTS (54" WIDTH – CUT UP THE ROLL)

MODEL	RAILROADED Contact customer service 800-634-9510 for ydg requirements	NON DIRECTIONAL OR SOLID	1"-4" REPEAT	5"-11" REPEAT	12"-18" REPEAT	COL SQUARE FEET
			4" VERTICAL X 4" HORIZONTAL	11" VERTICAL X 11" HORIZONTAL	18" VERTICAL X 18" HORIZONTAL	
N74M1A		5.60	7.00	8.20	9.40	111
N74M1AX	Back	0.70	1.00	1.50	2.30	14
	Seat	0.80	1.50	2.00	2.90	16
	Upholstery	4.50	4.90	5.60	8.40	90
N74M1AT		6.80	8.00	9.00	10.20	136
N74M1ATX	Back	1.20	1.70	2.00	2.90	23
	Seat	1.40	1.70	2.50	3.30	27
	Upholstery	4.50	4.90	5.60	8.40	90
N74M1ATB		6.20	7.80	8.90	10.00	124
N74M1ATBX	Back	1.20	1.70	2.00	2.90	23
	Seat	0.80	1.50	2.00	2.90	16
	Upholstery	4.50	4.90	5.60	8.40	90
N74M1AUW, N74M1AC, N74M1AUM		4.80	6.50	8.00	9.50	94.7
N74M1AUWX, N74M1ACX, N74M1AUMX	Back	0.70	1.00	1.50	2.30	14
	Seat	0.80	1.50	2.00	2.90	16
	Upholstery	3.80	4.50	5.50	7.00	74.8
N74M1ATUW, N74M1ATC, N74M1ATUM		6.00	7.00	9.00	10.50	119
N74M1ATUWX, N74M1ATCX, N74M1ATUMX	Back	1.20	1.70	2.00	2.90	23
	Seat	1.40	1.70	2.50	3.30	27
	Upholstery	3.80	4.50	5.50	7.00	74.8
N74M1ATBUW, N74M1ATBC, N74M1ATBUM		5.50	7.00	8.50	10.00	109.1
N74M1ATBUWX, N74M1ATBCX, N74M1ATBUMX	Back	1.20	1.70	2.00	2.90	23
	Seat	0.80	1.50	2.00	2.90	16
	Upholstery	3.80	4.50	5.50	7.00	74.8
N74M1ASUW, N74M1ASC, N74M1ASUM		4.80	6.50	7.80	9.00	94.1
N74M1ASUWX, N74M1ASCX, N74M1ASUMX	Back	0.80	1.00	1.50	1.80	15.5
	Seat	0.80	1.50	2.00	2.90	16
	Upholstery	3.80	4.50	5.50	7.00	74.8
N74M1AS		5.50	7.00	8.50	9.00	108.5
N74M1SAX	Back	0.80	1.00	1.50	1.80	15.5
	Seat	0.80	1.50	2.00	2.90	16
	Upholstery	4.50	4.90	5.60	8.40	90
N74M2A		9.50	10.50	12.90	14.50	189
N74M2AX	Back	1.60	1.90	2.50	4.90	31
	Seat	2.40	2.90	4.00	4.90	48
	Upholstery	5.80	6.50	7.20	8.70	115
N74M2AT		11.00	12.00	14.00	16.50	219
N74M2ATX	Back	2.70	3.00	3.90	5.90	53
	Seat	2.80	3.30	4.30	5.80	55
	Upholstery	5.80	6.50	7.20	8.70	115
N74M2ATB		10.60	11.90	14.00	16.00	211
N74M2ATBX	Back	2.70	3.00	3.90	5.90	53
	Seat	2.40	2.90	4.00	4.90	48
	Upholstery	5.80	6.50	7.20	8.70	115
N74M2AUW, N74M2AC, N74M2AUM		8.60	10.00	12.00	15.00	171.1
N74M2AUWX, N74M2ACX, N74M2AUMX	Back	1.60	1.90	2.50	4.90	31
	Seat	2.40	2.90	4.00	4.90	48
	Upholstery	4.90	5.50	7.00	10.00	95.8
N74M2ATUW, N74M2ATC, N74M2ATUM		10.00	11.50	14.00	16.50	199.3
N74M2ATUWX, N74M2ATCX, N74M2ATUMX	Back	2.70	3.00	3.90	5.90	53
	Seat	2.80	3.30	4.30	5.80	55
	Upholstery	4.90	5.50	7.00	10.00	95.8
N74M2ATBUW, N74M2ATBC, N74M2ATBUM		9.60	11.00	13.00	15.50	190.4

COM YARDAGE REQUIREMENTS

COM YARDAGE REQUIREMENTS (54" WIDTH – CUT UP THE ROLL)

MODEL	RAILROADED Contact customer service 800-634-9510 for ydg requirements	NON DIRECTIONAL OR SOLID	1"-4" REPEAT	5"-11" REPEAT	12"-18" REPEAT	COL SQUARE FEET
			4" VERTICAL X 4" HORIZONTAL	11" VERTICAL X 11" HORIZONTAL	18" VERTICAL X 18" HORIZONTAL	
N74M2ATBUWX, N74M2ATBCX, N74M2ATBUMX	Back	2.70	3.00	3.90	5.90	53.0
	Seat	2.40	2.90	4.00	4.90	48.0
	Upholstery	4.90	5.50	7.00	10.00	95.8
N74M2ASUW, N74M2ASC, N74M2ASUM		8.40	10.00	11.50	13.50	167.2
N74M2ASUWX, N74M2ASCX, N74M2ASUMX	Back	1.50	2.00	2.50	4.00	29.9
	Seat	2.40	2.90	4.00	4.90	48.0
	Upholstery	4.90	5.50	7.00	10.00	95.8
N74M2AS		9.50	11.00	13.00	14.00	188.8
N74M2ASX	Back	1.50	2.00	2.50	4.00	29.9
	Seat	2.40	2.90	4.00	4.90	48.0
	Upholstery	5.80	6.50	7.20	8.70	115.0
N74M4A		10.00	17.00	21.00	25.20	198
N74M4AX	Back	2.10	3.30	4.40	6.70	42
	Seat	2.80	4.60	7.50	9.00	56
	Upholstery	6.60	9.00	10.20	10.80	132
N74M4AT		14.90	20.40	23.80	29.00	297
N74M4ATX	Back	4.40	5.50	7.00	9.00	88
	Seat	4.90	6.00	8.00	10.80	97
	Upholstery	6.60	9.00	10.20	10.80	132
N74M4ATB		12.80	19.30	23.70	27.00	255
N74M4ATBX	Back	4.40	5.50	7.00	9.00	88
	Seat	2.80	4.60	7.50	9.00	56
	Upholstery	6.60	9.00	10.20	10.80	132
N74M4AUW, N74M4AC, N74M4AUM		9.10	16.00	20.50	25.00	179.9
N74M4AUWX, N74M4ACX, N74M4AUMX	Back	2.10	3.30	4.40	6.70	42.0
	Seat	2.80	4.60	7.50	9.00	56.0
	Upholstery	5.50	8.00	10.00	12.00	109.6
N74M4ATUW, N74M4ATC, N74M4ATUM		14.00	19.00	24.00	28.50	277.3
N74M4ATUWX, N74M4ATCX, N74M4ATUMX	Back	4.40	5.50	7.00	9.00	88.0
	Seat	4.90	6.00	8.00	10.80	97.0
	Upholstery	5.50	8.00	10.00	12.00	109.6
N74M4ATBUW, N74M4ATBC, N74M4ATBUM		11.90	18.50	23.50	25.00	235.3
N74M4ATBUWX, N74M4ATBCX, N74M4ATBUMX	Back	4.40	5.50	7.00	9.00	88.0
	Seat	2.80	4.60	7.50	9.00	56.0
	Upholstery	5.50	8.00	10.00	12.00	109.6
N74M4ASUW, N74M4ASC, N74M4ASUM		8.90	15.50	19.00	22.00	176.0
N74M4ASUWX, N74M4ASCX, N74M4ASUMX	Back	2.20	3.50	4.30	5.00	43.2
	Seat	2.80	4.60	7.50	9.00	56.0
	Upholstery	5.50	8.00	10.00	12.00	109.6
N74M4AS		10.00	17.00	21.00	22.00	197.6
N74M4ASX	Back	2.20	3.50	4.30	5.00	43.2
	Seat	2.80	4.60	7.50	9.00	56.0
	Upholstery	6.60	9.00	10.20	10.80	132.0

