
Shore

Product Specifications	558
Fabrics and Options	559
Contrasting Fabrics Specifications	560
Product Pages	561
COM Yardage Requirements	562



SHORE

SHORE PRODUCT SPECIFICATIONS

SEAT CONSTRUCTION

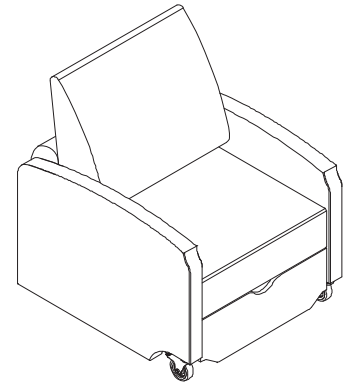
- Enclosed mechanism
- Integrated handle
- Locking, directional, front casters
- Moisture barrier is available on the seat and inside back; upcharge applies
- 80" sleep surface

ARMS

- Arm caps are available in beech wood, polyurethane, 3D laminate, or solid surface. EOS^{CU} (Cupron-enhanced EOS) biocidal solid surface arm caps are optional on solid surface arm cap model; upcharge applies

CONTRASTING FABRICS

- Contrasting fabric may be specified on back, seat, and arms/frame fabric



SURFACE MATERIALS

See the Kimball Hospitality Surface Materials Reference Guide at kimballhospitality.com for a complete overview of our materials program, including:

- Characteristics of wood
- Special wood finishes
- Customer specified laminate (CSL)
- Customer specified paint (CSP)
- Fabric application and colorways
- Customer's own material (COM) process overview
- Alliance program

ALLIANCE FABRIC PROGRAM

Kimball Hospitality has analyzed each model to most accurately reflect the COM/COL yardage requirements shown on page 562.

The yardage requirement for each model is based on 54" wide fabric and cutting the fabric up the roll.

If repeat is larger than 18", contact Customer Service to confirm the correct amount of yardage required. When ordering 10 or more chairs in the same COM, yardage requirements may be reduced.

Contact Customer Service.

PRICE GRADES A-R

See Surface Materials at www.kimballhospitality.com for a wide variety of graded-in fabrics from Arc-Com, Carnegie, CF Stinson, Designtex, Maharam, Mayer, Momentum, and Ultrafabrics.

FABRIC SAMPLES

If you need samples for presentation(s), contact our alliance partners directly at:

Arc-Com	800.223.5466	arc-com.com
Carnegie	800.727.6770	carnegiefabrics.com
CF Stinson	800.841.6279	cfstinson.com
Designtex	800.221.1540	designtex.com
Maharam	800.645.3943	maharam.com
Mayer	800.428.4415	mayerfabrics.com
Momentum	800.366.6839	memosamples.com
Ultrafabrics	877.309.6648	ultrafabricsllc.com

ARM CAPS

3D LAMINATE

WOODGRAIN

CO	Canyon
DF	Driftwood
MH	Mocha
YO	Monterey
NW	Tuscan

POLYURETHANE

495	Beige
462	Cinder
496	Grey

SOLID SURFACE

STANDARD

7101	Bisque
405	Designer White

PREMIUM*

467	Carbon Concrete
468	Neutral Concrete
464	Peace Grey
469	Weathered Concrete

*\$446 Upcharge applies

EOS*

495	EOS ^{CU} Beige
496	EOS ^{CU} Grey

*\$810 Upcharge applies

WOOD

BZ	Brazilwood	MH	Mocha
CO	Canyon	YO	Monterey
CI	Chai	PC	Porcini
CC	Cordoba	PB	Portobello
DF	Driftwood	792	Sable
KN	Kona	NW	Tuscan
MW	Midtown	WL	Willow

IMPORTANT: Hardwood finishes on seating are complementary to veneer finishes on casegoods and tables, but may not be a direct match due to the difference in substrates

Contact Customer Service for more information

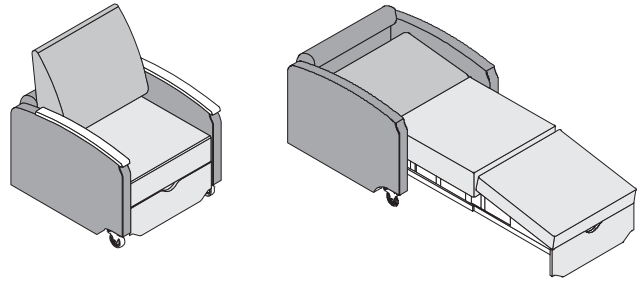
MOISTURE BARRIER

X	None
MB2	Seat and inside back (\$245 upcharge)

TO ORDER CONTRASTING FABRIC, SPECIFY

SHORE Sleepers page 561

1. Model Number plus "X"
2. Back Fabric Grade
3. Back Fabric Number
4. Seat Fabric Grade
5. Seat Fabric number
6. Arms/Frame (Primary) Fabric Grade
7. Arms/Frame (Primary) Fabric Number
8. Arm Cap Designator (if applicable)
9. Moisture Barrier Optional for Seat and Inside Back



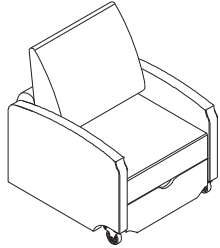
Contrasting fabric may be specified on back, seat, and arms/frame

TO ORDER, SPECIFY:

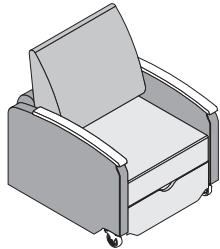
1. Model Number
2. Back Fabric Grade
3. Back Fabric Number
4. Seat Fabric Grade
5. Seat Fabric number
6. Arms/Frame (Primary) Fabric Grade
7. Arms/Frame (Primary) Fabric Number
8. Arm Cap Designator (if applicable)
9. Moisture Barrier Optional for Seat and Inside Back

- See page 559 for Shore options
- See page 562 for COM fabric yardage

SLEEPER



No Arm Caps



Arm Caps

MODEL NO.

ALLIANCE PROGRAM PRICE GRADES

		A	B	C	D	E	F	G	H	I
		J	K	L	M	N	O	P	Q	R
K69S1	No Arm Caps	\$ 5476	5652	5791	5927	6077	6253	6352	6543	6704
		6869	7133	7661	7995	8068	8134	8215	8292	8662
K69S1ACP	Polyurethane Arm Caps	5614	5790	5929	6065	6215	6391	6490	6681	6842
		7007	7271	7799	8133	8206	8272	8353	8430	8800
K69S1ACW	Wood Arm Caps	5755	5931	6070	6206	6356	6532	6631	6822	6983
		7148	7412	7940	8274	8347	8413	8494	8571	8941
K69S1ACT	3D Laminate Arm Caps	5874	6050	6189	6325	6475	6651	6750	6941	7102
		7267	7531	8059	8393	8466	8532	8613	8690	9060
K69S1ACS	Solid Surface Arm Caps	6635	6811	6950	7086	7236	7412	7511	7702	7863
		8028	8292	8820	9154	9227	9293	9374	9451	9821

DIMENSIONS

Width	34	Seat Height	17	Arm Height		Weight	195
Depth	38	Seat Depth	21	without Arm Caps	28	Cubic Ft.	49.30
Height	41	Seat Width	27½	with Arm Caps	28¾		
				Arm Extended	68		

- Contrasting fabric option – specify X (i.e., K69S1X); see page 560. For list pricing, use your electronic specification tool or contact customer service
- Enclosed mechanism
- Integrated handle
- Locking, directional, front casters
- Arm caps, if applicable: polyurethane, beech wood, 3D laminate, or solid surface
- 80" sleep surface

COM YARDAGE REQUIREMENTS

COM YARDAGE REQUIREMENTS (54" WIDTH – CUT UP THE ROLL)

MODEL	RAILROADED Contact customer service 800-634-9510 for ydg requirements	NON DIRECTIONAL OR SOLID	1"-4" REPEAT	5"-11" REPEAT	12"-18" REPEAT	COL SQUARE FEET
			4" VERTICAL X 4" HORIZONTAL	11" VERTICAL X 11" HORIZONTAL	18" VERTICAL X 18" HORIZONTAL	
K69S1, K69S1ACP,	Entire Unit	8.00	9.20	9.60	10.40	144
K69S1ACW, K69S1ACT,	Back	1.50	1.70	1.80	2.00	27
K69S1ACS	Seat	2.80	3.20	3.40	3.60	51
	Arms/Frame	4.30	4.90	5.20	5.60	77