
Swift

Product Specifications	572
Fabrics and Options	573
Contrasting Fabric	574
Product Pages - Non-Tufting	576
Product Pages - Tufting	584
COM Yardage Requirements	591

SWIFT

SWIFT PRODUCT SPECIFICATIONS

LOUNGE

FRAME CONSTRUCTION

- Interior frame is constructed of plywood with tenon joints that are glued and screwed for maximum joint stability
- Exterior base frame features wood and metal-look accents
- Each joint is securely glued for maximum joint stability

SEAT CONSTRUCTION

- 4" of high grade polyurethane foam covers a plywood seat panel with high tension strip webbing for comfort

BACK CONSTRUCTION

- 4½" of high grade custom shaped polyurethane foam stretched over web sheet and attached to frame

ARM CONSTRUCTION

- ½" of high grade polyurethane foam covers a plywood constructed arm frame

UPHOLSTERY DETAIL

- Contrasting fabric available on all models
- Railroaded fabrics cannot be specified for vertical tufted models

LEGS

- Extruded aluminum legs with nylon leveling glides

MOBILE UNIT CASTERS

- Black, double wheel, roll control casters are standard and work on all floors

TABLET ARM

- ¾" thick black 3D Laminate with MDF core or ¾" thick maple
- Attached with ¼" steel base plate and screws that mounts over ¼" metal insert rod and fits into structure of arm
- Allows for 360° swivel and writing surface of 21" W x 13½" D

FINISH

- Tablet arm features a catalyzed top coat that resists denting, peeling and reactions to chemicals
- Can be cleaned with a damp cloth
- When specifying Brighton, Natural, and Sonoma finish, variation in color is acceptable due to the nature of wood characteristics

PLINTH BASE

- Available on tufting models only
- Black PVC edge
- Includes leveling glides

GANGING - TUFTING MODELS

- Ganging option available for an additional upcharge on the armless side(s) of lounges, benches and tables
- A right ganging bolt and left V-bracket is necessary for units to be ganged
- To gang units, simply lift unit and insert ganging bolt into ganging V-bracket

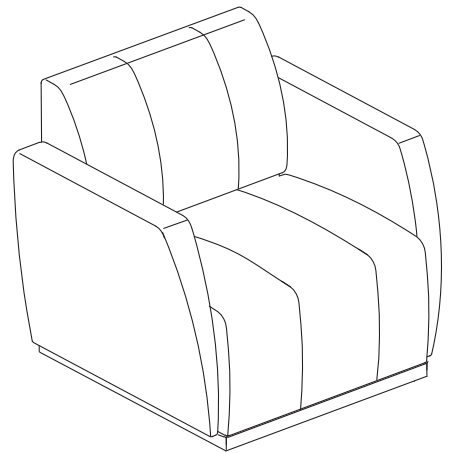
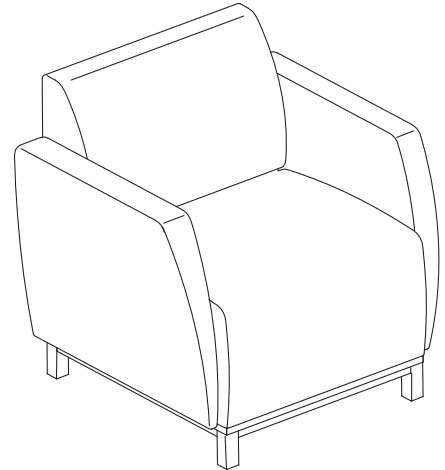
TABLES

FRAME CONSTRUCTION

- Grade A slipmatched maple (Brighton, Caramel, Honey, Natural), or cherry veneer (Amber, Autumn, Cordovan, Judicial, Mocha, Truffle) with mitered corners and extruded aluminum legs with rails
- Veneer features a semi-open pore matte sheen

POWER AND DATA GROMMET

- Available in the 30°, 45°, 90° and small end tables
- 3 power grommets available; specify cutout option and order electrical grommet model separately. See page 797 for details and pricing
- Power grommet not available on coffee or console tables



SURFACE MATERIALS

See the Kimball Hospitality Surface Materials Reference Guide at kimballhospitality.com for a complete overview of our materials program, including:

- Characteristics of wood
- Special wood finishes
- Customer-specified laminate (CSL)
- Customer-specified paint (CSP)
- Fabric application and colorways
- Customer's own material (COM) process overview
- Alliance program

ALLIANCE FABRIC PROGRAM

Kimball Hospitality has analyzed each model to most accurately reflect the COM/COL yardage requirements shown on page 591.

The yardage requirement for each model is based on 54" W fabric and cutting the fabric up the roll.

If repeat is larger than 18", contact Customer Service to confirm the correct amount of yardage required. When ordering 10 or more chairs in the same COM, yardage requirements may be reduced.

Contact Customer Service.

PRICE GRADES A-R

See Surface Materials at www.kimballhospitality.com for a wide variety of graded-in fabrics from Arc-Com, CF Stinson, Designtex, Maharam, Momentum, and Ultrafabrics.

FABRIC SAMPLES

If you need samples for presentation(s), contact our alliance partners directly at:

Arc-Com	800.223.5466	arc-com.com
Designtex	800.221.1540	designtex.com
CF Stinson	800.841.6279	cfstinson.com
Maharam	800.645.3943	maharam.com
Momentum	800.366.6839	memosamples.com
Ultrafabrics	877.309.6648	ultrafabricsllc.com

TABLES SURFACE GROMMETS/CUTOUTS

(\$25 list upcharge per location)

CUT-G12	G12 Cutout
CUT-G17	G17 Cutout
CUT-G23	G23 Cutout
X	No Grommet

TABLES SIDE GROMMETS/CUTOUTS

(\$25 list upcharge per location)

CUT-G23C	Power Grommet
X	No Grommet

Reference page 797 for pricing and details

TABLET ARM

T	3D Laminate, Black
W	Wood

FRAME COLORS - NON-TUFTING MODELS

423	Concrete
462	Cinder
463	Iron
497	Polished Aluminum
501	Platinum Metallic
503	Satin Nickel Metallic

FINISHES

AC	Autumn	PB	Portobello*
AD	Almond*	PT	Portico*
CL	Caramel	SK	Skyline*
CW	Cordovan	SM	Sonoma*
DW	Judicial	TF	Truffle
HN	Honey	405	Designer White*
IM	Brighton	462	Cinder*
MC	Amber	792	Sable*
MH	Mocha	793	Acorn*†
NM	Natural		

*Not available on tables

†Acorn is the finish and laminate complement to Clear Walnut finish

LAMINATES

AC2	Autumn 2	TF	Truffle
AD	Almond	405	Designer White
CL	Caramel	419	Wallaby
CW	Cordovan	425	Shadow
DW	Judicial	440	Cloud
HN2	Honey 2	461	Graphite
IM	Brighton	462	Cinder
MC	Amber	478	Platinum Grey
MH	Mocha	488	Frosty White
NM	Natural	491	Designer White
PB	Portobello		Linear
PT	Portico	492	Cinder Linear
SK	Skyline	792	Sable
SM	Sonoma	793	Acorn†

GANGING OPTIONS TUFTING MODELS ONLY

(\$55 list upcharge per ganging location)

LOUNGE

L	Ganging Left
R	Ganging Right
LR	Ganging Left and Right
X	No Ganging

TABLES

1	Ganging 1 Side
2	Ganging 2 Sides
X	No Ganging

GANGING BRACKET DETAILS (AS SEATED)

RIGHT SIDE GANGING



Ganging Bolt

LEFT SIDE GANGING



Ganging V-Bracket

TO ORDER CONTRASTING FABRIC, SPECIFY

SWIFT

1 Seat Lounge page 576

1 Seat Lounge - Single Arm page 576

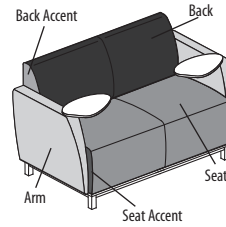
2 Seat Lounge page 577

2 Seat Lounge - Single Arm page 577

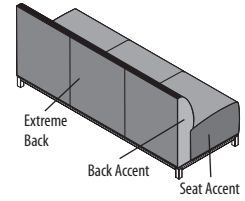
3 Seat Lounge page 578

3 Seat Lounge - Single Arm page 578

1. Model Number plus "X"
2. Back Fabric Grade Number/Cover Number
3. Extreme Fabric Grade Number/Cover Number
4. Back Accent Fabric Grade Number/Cover Number
5. Seat Fabric Grade Number/Cover Number
6. Seat Accent Fabric Grade Number/Cover Number
7. Arm Fabric Grade Number/Cover Number
8. Tablet (when applicable)
9. Finish Designator
10. Frame Color



Contrasting Fabric
Tablet Both Arms



Contrasting Fabric Back View

30° Corner Unit page 579

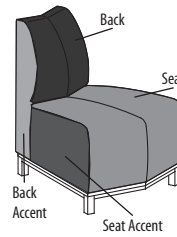
45° Inside Corner Unit page 579

45° Outside Corner Unit page 579

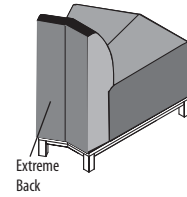
90° Inside Corner Unit page 580

90° Outside Corner Unit page 580

1. Model Number plus "X"
2. Back Fabric Grade Number/Cover Number
3. Extreme Fabric Grade Number/Cover Number
4. Back Accent Fabric Grade Number/Cover Number
5. Seat Fabric Grade Number/Cover Number
6. Seat Accent Fabric Grade Number/Cover Number
7. Finish Designator
8. Frame Color



Contrasting Fabric



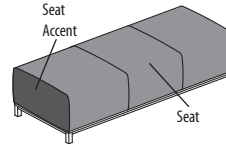
Contrasting Upholstery Back View

1 Seat Bench page 581

2 Seat Bench page 581

3 Seat Bench page 581

1. Model Number plus "X"
2. Seat Fabric Grade Number/Cover Number
3. Seat Accent Fabric Grade Number/Cover Number
4. Finish Designator
5. Frame Color



Contrasting Fabric

TO ORDER CONTRASTING FABRIC, SPECIFY

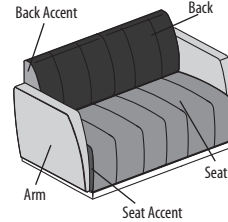
SWIFT

1 Seat Lounge Vertical Tuft Plinth Base page 584

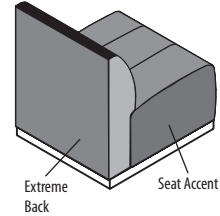
2 Seat Lounge Vertical Tuft Plinth Base page 584

3 Seat Lounge Vertical Tuft Plinth Base page 584

1. Model Number plus "X"
2. Ganging
3. Back Fabric Grade Number/Cover Number
4. Extreme Fabric Grade Number/Cover Number
5. Back Accent Fabric Grade Number/Cover Number
6. Seat Fabric Grade Number/Cover Number
7. Seat Accent Fabric Grade Number/Cover Number
8. Arm Fabric Grade Number/Cover Number



Contrasting Fabric

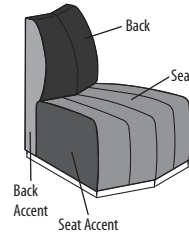


Contrasting Fabric Back View

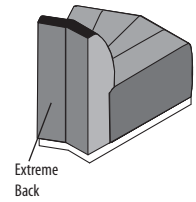
90° Inside Corner Lounge Vertical Tuft Plinth Base page 585

90° Outside Corner Lounge Vertical Tuft Plinth Base page 585

1. Model Number plus "X"
2. Ganging
3. Back Fabric Grade Number/Cover Number
4. Extreme Fabric Grade Number/Cover Number
5. Back Accent Fabric Grade Number/Cover Number
6. Seat Fabric Grade Number/Cover Number
7. Seat Accent Fabric Grade Number/Cover Number



Contrasting Fabric



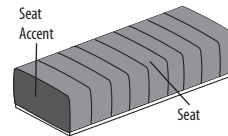
Contrasting Upholstery Back View

1 Seat Bench Vertical Tuft Plinth Base page 585

2 Seat Bench Vertical Tuft Plinth Base page 585

3 Seat Bench Vertical Tuft Plinth Base page 585

1. Model Number plus "X"
2. Ganging
3. Seat Fabric Grade Number/Cover Number
4. Seat Accent Fabric Grade Number/Cover Number



Contrasting Fabric

SWIFT

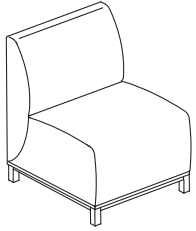
SWIFT

TO ORDER, SPECIFY:

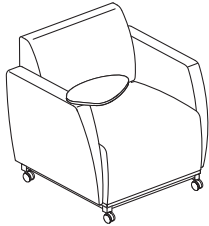
1. Model Number
2. Fabric Grade Number
3. Cover Number
4. Tablet (when applicable)
5. Finish Designator
6. Frame Color

- See page 573 for Swift options
- See pages 591-593 for COM fabric yardage

1 SEAT LOUNGE



Armless



Tablet Right Arm - Mobile

MODEL NO.

ALLIANCE PROGRAM PRICE GRADES

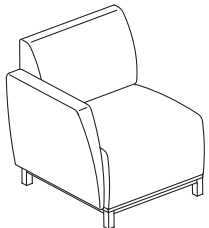
			A	B	C	D	E	F	G	H	I
			J	K	L	M	N	O	P	Q	R
			N95MA	Armless	\$	2197	2287	2355	2429	2510	2597
			2931	3071	3350	3524	3613	3706	3796	3886	3973
N95MAC	Armless - Mobile		2378	2468	2536	2610	2691	2778	2846	2936	3026
			3112	3252	3531	3705	3794	3887	3977	4067	4154
N95AA	Arms		2938	3103	3229	3365	3514	3673	3799	3964	4129
			4289	4545	5058	5378	5543	5714	5879	6044	6204
N95AAR	Tablet Right Arm		3208	3373	3499	3635	3784	3943	4069	4234	4399
			4559	4815	5328	5648	5813	5984	6149	6314	6474
N95AAL	Tablet Left Arm		3208	3373	3499	3635	3784	3943	4069	4234	4399
			4559	4815	5328	5648	5813	5984	6149	6314	6474
N95AAC	Arms - Mobile		3118	3283	3409	3545	3694	3853	3979	4144	4309
			4469	4725	5238	5558	5723	5894	6059	6224	6384
N95AARC	Tablet Right Arm - Mobile		3390	3555	3681	3817	3966	4125	4251	4416	4581
			4741	4997	5510	5830	5995	6166	6331	6496	6656
N95AALC	Tablet Left Arm - Mobile		3390	3555	3681	3817	3966	4125	4251	4416	4581
			4741	4997	5510	5830	5995	6166	6331	6496	6656

DIMENSIONS

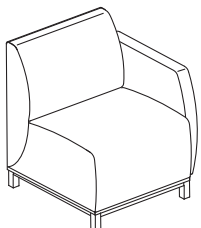
Armless Width	26½	Arm Height	27¼	Seat Depth	21¼	Armless Weight	49
Arm Width	32	Seat Height	19¼	Back Height	32½	Arm Weight	78
Depth	30	Seat Width	26½	Back Width	26½	Cubic Ft.	26.3
Height	32½						

• Contrasting fabric option – specify X (i.e., N95MAX); see page 574. For list pricing, use your electronic specification tool or contact customer service

1 SEAT LOUNGE - SINGLE ARM



Right Arm



Left Arm

			A	B	C	D	E	F	G	H	I
			J	K	L	M	N	O	P	Q	R
			N95MAR	Right Arm	\$	2543	2670	2767	2873	2987	3110
			3586	3784	4180	4426	4554	4686	4813	4941	5064
N95MART	Tablet Right Arm		2865	2992	3089	3195	3309	3432	3529	3657	3784
			3908	4106	4502	4748	4876	5008	5135	5263	5386
N95MAL	Left Arm		2543	2670	2767	2873	2987	3110	3207	3335	3462
			3586	3784	4180	4426	4554	4686	4813	4941	5064
N95MALT	Tablet Left Arm		2865	2992	3089	3195	3309	3432	3529	3657	3784
			3908	4106	4502	4748	4876	5008	5135	5263	5386

DIMENSIONS

Width	29½	Arm Height	27¼	Seat Depth	21¼	Weight	67
Depth	30	Seat Height	19¼	Back Height	32½	Cubic Ft.	26.3
Height	32½	Seat Width	26½	Back Width	26½		

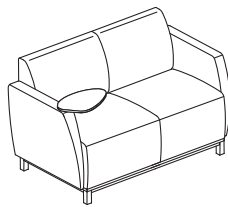
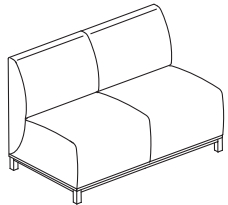
• Contrasting fabric option – specify X (i.e., N95MALX); see page 574. For list pricing, use your electronic specification tool or contact customer service

TO ORDER, SPECIFY:

1. Model Number
2. Fabric Grade Number
3. Cover Number
4. Tablet (when applicable)
5. Finish Designator
6. Frame Color

- See page 573 for Swift options
- See pages 591-593 for COM fabric yardage

2 SEAT LOUNGE



Tablet Right Arm

MODEL NO.

ALLIANCE PROGRAM PRICE GRADES

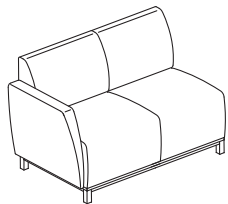
		A	B	C	D	E	F	G	H	I
		J	K	L	M	N	O	P	Q	R
N95MB	Armless	\$ 3202	3341	3446	3562	3686	3821	3926	4066	4205
		4339	4555	4987	5256	5395	5539	5678	5818	5952
N95BB	Arms	3903	4091	4234	4390	4559	4741	4884	5073	5261
		5443	5736	6321	6685	6873	7068	7257	7445	7627
N95BBR	Tablet Right Arm	4173	4361	4504	4660	4829	5011	5154	5343	5531
		5713	6006	6591	6955	7143	7338	7527	7715	7897
N95BBL	Tablet Left Arm	4173	4361	4504	4660	4829	5011	5154	5343	5531
		5713	6006	6591	6955	7143	7338	7527	7715	7897
N95BBB	Tablet Both Arms	4443	4631	4774	4930	5099	5281	5424	5613	5801
		5983	6276	6861	7225	7413	7608	7797	7985	8167

DIMENSIONS

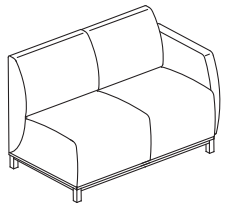
Armless Width	51½	Arm Height	27¼	Seat Depth	21¼	Armless Weight	84
Arm Width	59¼	Seat Height	19¼	Back Height	32½	Arm Weight	120
Depth	30	Seat Width	51½	Back Width	51½	Cubic Ft.	48.8
Height	32½						

• Contrasting fabric option – specify X (i.e., N95MBX); see page 574. For list pricing, use your electronic specification tool or contact customer service

2 SEAT LOUNGE - SINGLE ARM



Right Arm



Left Arm

		A	B	C	D	E	F	G	H	I
		J	K	L	M	N	O	P	Q	R
N95MBR	Right Arm	\$ 3509	3663	3779	3907	4044	4193	4309	4463	4617
		4765	5004	5481	5778	5931	6090	6244	6398	6546
N95MBRT	Tablet Right Arm	3830	3984	4100	4228	4365	4514	4630	4784	4938
		5086	5325	5802	6099	6252	6411	6565	6719	6867
N95MBL	Left Arm	3509	3663	3779	3907	4044	4193	4309	4463	4617
		4765	5004	5481	5778	5931	6090	6244	6398	6546
N95MBLT	Tablet Left Arm	3830	3984	4100	4228	4365	4514	4630	4784	4938
		5086	5325	5802	6099	6252	6411	6565	6719	6867

DIMENSIONS

Width	55¼	Arm Height	27¼	Seat Depth	21¼	Weight	113
Depth	30	Seat Height	19¼	Back Height	32½	Cubic Ft.	48.8
Height	32½	Seat Width	51½	Back Width	51½		

• Contrasting fabric option – specify X (i.e., N95MBLX); see page 574. For list pricing, use your electronic specification tool or contact customer service

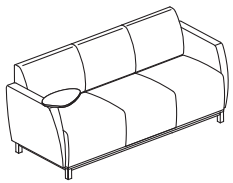
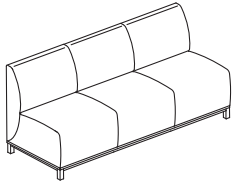
SWIFT

TO ORDER, SPECIFY:

1. Model Number
2. Fabric Grade Number
3. Cover Number
4. Tablet (when applicable)
5. Finish Designator
6. Frame Color

- See page 573 for Swift options
- See pages 591-593 for COM fabric yardage

3 SEAT LOUNGE



Tablet Right Arm

MODEL NO.

ALLIANCE PROGRAM PRICE GRADES

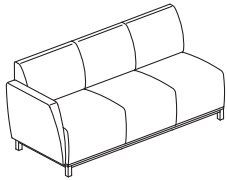
			A	B	C	D	E	F	G	H	I
			J	K	L	M	N	O	P	Q	R
N95MC	Armless	\$	4217	4411	4559	4719	4894	5081	5229	5423	5617
			5805	6106	6709	7085	7279	7480	7674	7868	8056
N95CC	Arms		4929	5181	5373	5581	5808	6051	6243	6495	6747
			6991	7382	8165	8653	8905	9166	9418	9670	9914
N95CCR	Tablet Right Arm		5201	5453	5645	5853	6080	6323	6515	6767	7019
			7263	7654	8437	8925	9177	9438	9690	9942	10186
N95CCL	Tablet Left Arm		5201	5453	5645	5853	6080	6323	6515	6767	7019
			7263	7654	8437	8925	9177	9438	9690	9942	10186
N95CCB	Tablet Both Arms		5470	5722	5914	6122	6349	6592	6784	7036	7288
			7532	7923	8706	9194	9446	9707	9959	10211	10455

DIMENSIONS

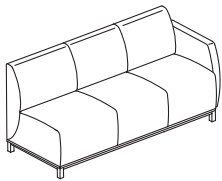
Armless Width	76	Arm Height	27¼	Seat Depth	21¼	Armless Weight	141
Arm Width	83	Seat Height	19¼	Back Height	32¼	Arm Weight	155
Depth	30	Seat Width	79¼	Back Width	79¼	Cubic Ft.	72.2
Height	32¼						

- Contrasting fabric option – specify X (i.e., N95CCX); see page 574. For list pricing, use your electronic specification tool or contact customer service

3 SEAT LOUNGE - SINGLE ARM



Right Arm



Left Arm

			A	B	C	D	E	F	G	H	I
			J	K	L	M	N	O	P	Q	R
N95MCR	Right Arm	\$	4534	4748	4911	5089	5281	5488	5651	5866	6080
			6288	6621	7287	7701	7916	8138	8352	8567	8774
N95MCRT	Tablet Right Arm		4857	5071	5234	5412	5604	5811	5974	6189	6403
			6611	6944	7610	8024	8239	8461	8675	8890	9097
N95MCL	Left Arm		4534	4748	4911	5089	5281	5488	5651	5866	6080
			6288	6621	7287	7701	7916	8138	8352	8567	8774
N95MCLT	Tablet Left Arm		4857	5071	5234	5412	5604	5811	5974	6189	6403
			6611	6944	7610	8024	8239	8461	8675	8890	9097

DIMENSIONS

Width	82¼	Arm Height	27¼	Seat Depth	21¼	Weight	148
Depth	30	Seat Height	19¼	Back Height	32¼	Cubic Ft.	72.2
Height	32¼	Seat Width	79¼	Back Width	79¼		

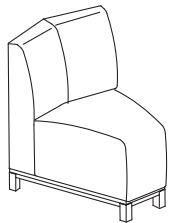
- Contrasting fabric option – specify X (i.e., N95MCLX); see page 574. For list pricing, use your electronic specification tool or contact customer service

TO ORDER, SPECIFY:

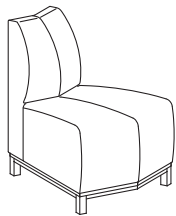
1. Model Number
2. Fabric Grade Number
3. Cover Number
4. Finish Designator
5. Frame Color

- See page 573 for Swift options
- See pages 591-593 for COM fabric yardage

30° CORNER UNIT



30° Inside Corner



30° Outside Corner

MODEL NO.

ALLIANCE PROGRAM PRICE GRADES

			A	B	C	D	E	F	G	H	I
			J	K	L	M	N	O	P	Q	R
N95MH	Inside Corner	\$	2102	2178	2235	2297	2365	2438	2495	2570	2646
			2718	2835	3069	3215	3290	3368	3444	3519	3592
N95MHA	Outside Corner		2093	2162	2215	2273	2335	2402	2455	2525	2594
			2662	2770	2986	3120	3190	3262	3331	3401	3468

DIMENSIONS - INSIDE CORNER

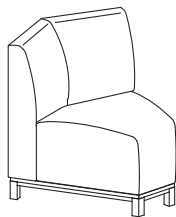
Width	25½	Seat Height	19¼	Weight	40
Depth	32			Cubic Ft.	31.9
Height	32½				

DIMENSIONS - OUTSIDE CORNER

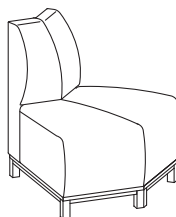
Width	27	Seat Height	19¼	Weight	40
Depth	31			Cubic Ft.	31.9
Height	32½				

- Contrasting fabric option – specify X (i.e., N95MHAX); see page 574. For list pricing, use your electronic specification tool or contact customer service
- Stripes and plaids are not recommended as the fabrics may not align at the seams

45° CORNER UNIT



45° Inside Corner



45° Outside Corner

			A	B	C	D	E	F	G	H	I
			J	K	L	M	N	O	P	Q	R
N95MJ	Inside Corner	\$	2446	2536	2604	2678	2759	2846	2914	3004	3094
			3180	3320	3599	3773	3862	3955	4045	4135	4222
N95MJA	Outside Corner		2427	2505	2565	2629	2700	2775	2835	2913	2991
			3067	3188	3431	3583	3661	3742	3820	3898	3974

DIMENSIONS - INSIDE CORNER

Width	32½	Seat Height	19¼	Weight	45
Depth	32½			Cubic Ft.	31.9
Height	32½				

DIMENSIONS - OUTSIDE CORNER

Width	33½	Seat Height	19¼	Weight	45
Depth	33½			Cubic Ft.	31.9
Height	32½				

- Contrasting fabric option – specify X (i.e., N95MJAX); see page 574. For list pricing, use your electronic specification tool or contact customer service
- Stripes and plaids are not recommended as the fabrics may not align at the seams

SWIFT

90° CORNER UNIT TO ORDER, SPECIFY:

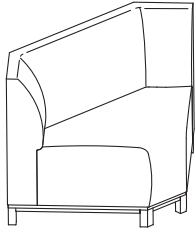
1. Model Number
2. Fabric Grade Number
3. Cover Number
4. Finish Designator
5. Frame Color

PULL-UP TABLE TO ORDER, SPECIFY:

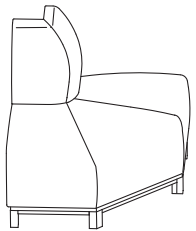
1. Model Number
2. Laminate or Finish
3. Paint

- See page 573 for Swift options
- See pages 591-593 for COM fabric yardage

90° CORNER UNIT



90° Inside Corner



90° Outside Corner

MODEL NO.

ALLIANCE PROGRAM PRICE GRADES

			A	B	C	D	E	F	G	H	I
			J	K	L	M	N	O	P	Q	R
N95MK	Inside Corner	\$	3178	3303	3397	3501	3612	3733	3827	3952	4077
			4197	4391	4778	5019	5143	5272	5397	5522	5642
N95MKA	Outside Corner		3122	3212	3280	3354	3435	3522	3590	3680	3770
			3856	3996	4275	4449	4538	4631	4721	4811	4898

DIMENSIONS - INSIDE CORNER

Width	50½	Seat Height	19¼	Weight	56
Depth	30			Cubic Ft.	31.9
Height	32½				

DIMENSIONS - OUTSIDE CORNER

Width	48%	Seat Height	19¼	Weight	56
Depth	33%			Cubic Ft.	36.9
Height	32½				

- Contrasting fabric option – specify X (i.e., N95MKAX); see page 574. For list pricing, use your electronic specification tool or contact customer service
- Stripes and plaids are not recommended as the fabrics may not align at the seams

PERSONAL PULL-UP TABLE



MODEL NO.

LIST PRICE

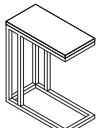
10N1622RTPUW	Wood	\$	1162
10N1622RTPUL	Laminate		1162

DIMENSIONS

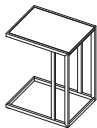
Width	22	Weight	32
Depth	13¾	Cubic Ft.	9.25
Height	28½		

- 50 lb. weight limit
- Specify metal finish (423) Concrete, (462) Cinder, (463) Iron, (501) Platinum Metallic, or (503) Satin Nickel Metallic
- Veneer species is maple
- Acorn is the laminate/wood complement to Clear Walnut
- NON-CONTRACT/OPEN MARKET

PERSONAL PULL-UP TABLE



White Marble



Black Marble

10N1120RTPU2SS	White Marble	\$	819
10N1620RTPU2SB	Black Marble		819

DIMENSIONS - WHITE MARBLE

Width	20	Weight	30
Depth	11	Cubic Ft.	5
Height	25		

DIMENSIONS - BLACK MARBLE

Width	20	Weight	30
Depth	16	Cubic Ft.	6.95
Height	25		

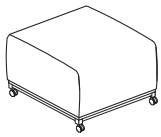
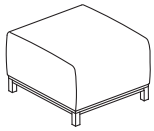
- 50 lb. weight limit
- White Marble model has a Platinum Metallic base; Black Marble model has a Cinder base
- 10N1620RTPU2SB top material is Porcelain with pattern Nero Marquina
- 10N1120RTPU2SS top material is Natural Marble species of Bianco Crown Marble
- Specify model number only

TO ORDER, SPECIFY:

1. Model Number
2. Fabric Grade Number
3. Cover Number
4. Finish Designator
5. Frame Color

- See page 573 for Swift options
- See pages 591-593 for COM fabric yardage

1 SEAT BENCH



Mobile

MODEL NO.

ALLIANCE PROGRAM PRICE GRADES

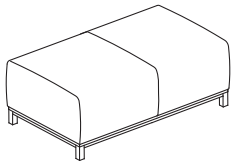
		A	B	C	D	E	F	G	H	I
		J	K	L	M	N	O	P	Q	R
N95DD	1 Seat Bench	\$ 1711	1787	1844	1906	1974	2047	2104	2179	2255
		2327	2444	2678	2824	2899	2977	3053	3128	3201
N95DDC	1 Seat Bench - Mobile	1891	1967	2024	2086	2154	2227	2284	2359	2435
		2507	2624	2858	3004	3079	3157	3233	3308	3381

DIMENSIONS

Width	26¼	Weight	35
Depth	30	Cubic Ft.	16.7
Height	19¼		

- Contrasting fabric option – specify X (i.e., N95DDX); see page 574. For list pricing, use your electronic specification tool or contact customer service
- Railroaded fabrics will require a seam on the front and back edges of bench

2 SEAT BENCH



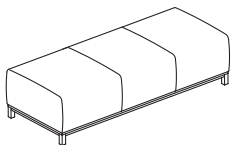
		A	B	C	D	E	F	G	H	I
		J	K	L	M	N	O	P	Q	R
N95EE	2 Seat Bench	\$ 2353	2451	2526	2608	2696	2791	2866	2965	3063
		3159	3312	3618	3808	3907	4009	4107	4206	4301

DIMENSIONS

Width	51½	Weight	65
Depth	30	Cubic Ft.	29.4
Height	19¼		

- Contrasting fabric option – specify X (i.e., N95EEEX); see page 574. For list pricing, use your electronic specification tool or contact customer service
- Railroaded fabrics will require a seam on the front and back edges of bench

3 SEAT BENCH



		A	B	C	D	E	F	G	H	I
		J	K	L	M	N	O	P	Q	R
N95GG	3 Seat Bench	\$ 3076	3247	3377	3519	3672	3837	3967	4138	4309
		4475	4740	5271	5602	5773	5950	6121	6292	6457

DIMENSIONS

Width	76	Weight	95
Depth	30	Cubic Ft.	44.8
Height	19¼		

- Contrasting fabric option – specify X (i.e., N95GGX); see page 574. For list pricing, use your electronic specification tool or contact customer service
- Railroaded fabrics will require a seam on the front and back edges of bench

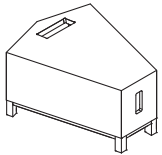
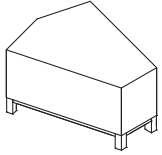
SWIFT

TO ORDER, SPECIFY:

1. Model Number
2. Surface Grommet
3. Side Grommet
4. Wood/Laminate Finish
5. Frame Color

• See page 573 for Swift options

30° TABLE



Optional Surface and Side Grommet Locations

MODEL NO.

LIST PRICE

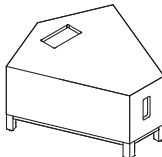
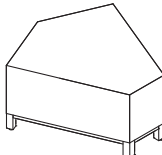
N95KKW	Wood	\$ 1744
N95KKL	Laminate	1637

DIMENSIONS

Width	25	Weight	40
Depth	30¼	Cubic Ft.	12.6
Height	16½		

- Power grommet sold separately; reference page 797 for pricing and details
- Optional surface grommet cutout available in G12, G17, and G23 cutout (+25 list)
- Optional side grommet cutout available in G23 cutout (+25 list)

45° TABLE



Optional Surface and Side Grommet Locations

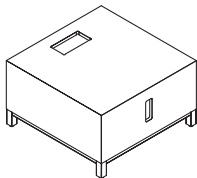
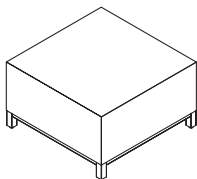
N95LLW	Wood	\$ 1887
N95LLL	Laminate	1780

DIMENSIONS

Width	31½	Weight	45.2
Depth	32¼	Cubic Ft.	16.3
Height	16½		

- Power grommet sold separately; reference page 797 for pricing and details
- Optional surface grommet cutout available in G12, G17, and G23 cutout (+25 list)
- Optional side grommet cutout available in G23 cutout (+25 list)

90° TABLE



Optional Surface and Side Grommet Locations

N95NNW	Wood	\$ 1958
N95NNL	Laminate	1852

DIMENSIONS

Width	28	Weight	47.8
Depth	28	Cubic Ft.	13.1
Height	16½		

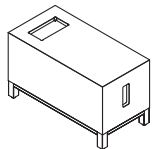
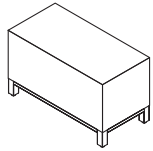
- Power grommet sold separately; reference page 797 for pricing and details
- Optional surface grommet cutout available in G12, G17, and G23 cutout (+25 list)
- Optional side grommet cutout available in G23 cutout (+25 list)

TO ORDER, SPECIFY:

1. Model Number
2. Surface Grommet
3. Side Grommet
4. Wood/Laminate Finish
5. Frame Color

• See page 573 for Swift options

SMALL END TABLE



Optional Surface and Side Grommet Locations

MODEL NO.

LIST PRICE

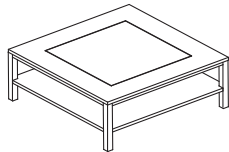
N95PPW	Wood	\$ 1458
N95PPL	Laminate	1353

DIMENSIONS

Width	14	Weight	31.8
Depth	28	Cubic Ft.	7.5
Height	16½		

- Power grommet sold separately; reference page 797 for pricing and details
- Optional surface grommet cutout available in G12, G17, and G23 cutout (+25 list)
- Optional side grommet cutout available in G23 cutout (+25 list)

COFFEE TABLE



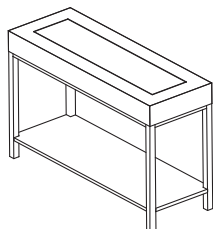
N95RRW	Wood	\$ 2277
N95RRL	Laminate	2174

DIMENSIONS

Width	36	Weight	70
Depth	36	Cubic Ft.	16.8
Height	13¼		

- Power grommet option not available
- Frosted ⅜" thick glass insert

CONSOLE TABLE



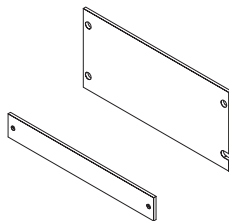
N95SSW	Wood	\$ 2434
N95SSL	Laminate	2328

DIMENSIONS

Width	50	Weight	74.2
Depth	18	Cubic Ft.	26.4
Height	33½		

- Power grommet option not available
- Frosted ⅜" thick glass insert

GANGING BRACKET KIT



N95TR	1 Bracket Kit	\$ 101
-------	---------------	--------

DIMENSIONS

Weight	2
Cubic Ft.	0.05

- Ganging bracket recommended for use in static applications for rigid ganging
- Ganging bracket intended for armless-to-armless or armless-to-table connections
- 1 bracket kit used for each connection

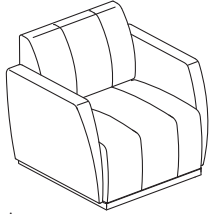
SWIFT

TO ORDER, SPECIFY:

1. Model Number
2. Ganging
3. Fabric Grade Number
4. Cover Number

- See page 573 for Swift options
- See pages 591-593 for COM fabric yardage

1 SEAT LOUNGE VERTICAL TUFT PLINTH BASE



Arms

MODEL NO.

ALLIANCE PROGRAM PRICE GRADES

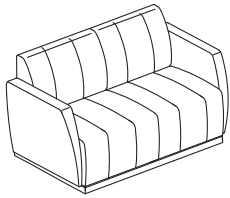
		A	B	C	D	E	F	G	H	I
		J	K	L	M	N	O	P	Q	R
N95AATP	Arms	2980	3172	3317	3475	3647	3832	3977	4168	4360
		4544	4841	5435	5805	5996	6194	6386	6577	6762

DIMENSIONS

Width	32	Seat Width	26½	Arm Height	24¼	Weight	78
Depth	31	Seat Depth	21¾	Back Height	29½	Cubic Ft.	21.7
Height	29½	Seat Height	16¼	Back Width	26½		

- Contrasting fabric option – specify X (i.e., N95AATPX); see page 575. For list pricing, use your electronic specification tool or contact customer service

2 SEAT LOUNGE VERTICAL TUFT PLINTH BASE



Arms

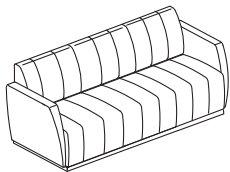
		A	B	C	D	E	F	G	H	I
		J	K	L	M	N	O	P	Q	R
N95BBTP	Arms	4001	4251	4440	4646	4870	5111	5300	5549	5799
		6039	6426	7200	7682	7931	8189	8439	8688	8929

DIMENSIONS

Width	59¼	Seat Width	51½	Arm Height	24¼	Weight	120
Depth	31	Seat Depth	21¾	Back Height	29½	Cubic Ft.	39.8
Height	29½	Seat Height	16¼	Back Width	51½		

- Contrasting fabric option – specify X (i.e., N95BBTPX); see page 575. For list pricing, use your electronic specification tool or contact customer service

3 SEAT LOUNGE VERTICAL TUFT PLINTH BASE



Arms

		A	B	C	D	E	F	G	H	I
		J	K	L	M	N	O	P	Q	R
N95CCTP	Arms	5056	5386	5637	5911	6207	6526	6777	7108	7438
		7758	8271	9297	9935	10266	10608	10938	11269	11588

DIMENSIONS

Width	83	Seat Width	79½	Arm Height	24¼	Weight	155
Depth	31	Seat Depth	21¾	Back Height	29½	Cubic Ft.	56.9
Height	29½	Seat Height	16¼	Back Width	79½		

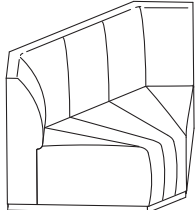
- Contrasting fabric option – specify X (i.e., N95CCTPX); see page 575. For list pricing, use your electronic specification tool or contact customer service

TO ORDER, SPECIFY:

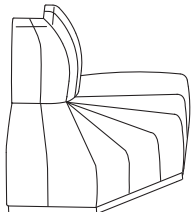
1. Model Number
2. Ganging
3. Fabric Grade Number
4. Cover Number

- See page 573 for Swift options
- See pages 591-593 for COM fabric yardage

**90° CORNER LOUNGE
VERTICAL TUFT
PLINTH BASE**



90° Inside Corner



90° Outside Corner

**MODEL
NO.**

ALLIANCE PROGRAM PRICE GRADES

		A	B	C	D	E	F	G	H	I
		J	K	L	M	N	O	P	Q	R
N95MKTP	Inside Corner	\$ 3216	3364	3476	3598	3731	3874	3986	4134	4282
		4424	4654	5113	5399	5546	5699	5847	5995	6138
N95MKATP	Outside Corner	3173	3295	3388	3488	3598	3715	3808	3929	4051
		4169	4358	4736	4971	5093	5219	5341	5462	5580

DIMENSIONS - INSIDE CORNER

Width	50½	Seat Height	16¼	Weight	56
Depth	30	Back Height	29½	Cubic Ft.	30
Height	29½				

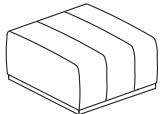
• Contrasting fabric option – specify X (i.e., N95MKATPX); see page 575. For list pricing, use your electronic specification tool or contact customer service

DIMENSIONS - OUTSIDE CORNER

Width	48¾	Seat Height	16¼	Weight	56
Depth	33¾	Back Height	29½	Cubic Ft.	30
Height	29½				

• Contrasting fabric option – specify X (i.e., N95MKATPX); see page 575. For list pricing, use your electronic specification tool or contact customer service

**1 SEAT BENCH
VERTICAL TUFT
PLINTH BASE**



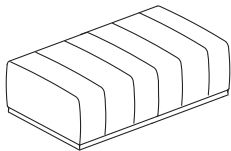
		A	B	C	D	E	F	G	H	I
		J	K	L	M	N	O	P	Q	R
N95DDTP	1 Seat Bench	\$ 1730	1817	1883	1955	2033	2117	2183	2270	2357
		2441	2576	2846	3014	3101	3191	3278	3365	3449

DIMENSIONS

Width	26¼	Weight	35
Depth	30	Cubic Ft.	10.9
Height	16¼		

• Contrasting fabric option – specify X (i.e., N95DDTPX); see page 575. For list pricing, use your electronic specification tool or contact customer service

**2 SEAT BENCH
VERTICAL TUFT
PLINTH BASE**



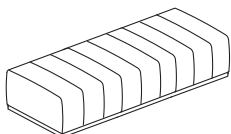
		A	B	C	D	E	F	G	H	I
		J	K	L	M	N	O	P	Q	R
N95EETP	2 Seat Bench	\$ 2390	2512	2605	2705	2815	2932	3025	3146	3268
		3386	3575	3953	4188	4310	4436	4558	4679	4797

DIMENSIONS

Width	51½	Weight	65
Depth	30	Cubic Ft.	21.6
Height	16¼		

• Contrasting fabric option – specify X (i.e., N95EETPX); see page 575. For list pricing, use your electronic specification tool or contact customer service

**3 SEAT BENCH
VERTICAL TUFT
PLINTH BASE**



		A	B	C	D	E	F	G	H	I
		J	K	L	M	N	O	P	Q	R
N95GGTP	3 Seat Bench	\$ 3133	3339	3495	3665	3850	4049	4205	4411	4617
		4815	5135	5774	6172	6377	6590	6796	7002	7201

DIMENSIONS

Width	76	Weight	95
Depth	30	Cubic Ft.	32.3
Height	16¼		

• Contrasting fabric option – specify X (i.e., N95GGTPX); see page 575. For list pricing, use your electronic specification tool or contact customer service

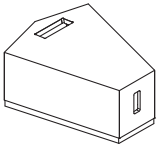
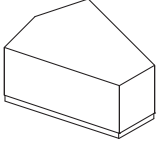
SWIFT

TO ORDER, SPECIFY:

1. Model Number
2. Surface Grommet
3. Side Grommet
4. Ganging
5. Wood/Laminate Finish

• See page 573 for Swift options

30° TABLE PLINTH BASE



MODEL NO.

LIST PRICE

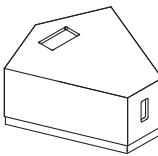
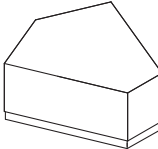
N95KKWP	Wood	\$ 1744
N95KKLP	Laminate	1637

DIMENSIONS

Width	25	Weight	40
Depth	30¼	Cubic Ft.	12.6
Height	16½		

- Optional surface and side grommet locations are available

45° TABLE PLINTH BASE



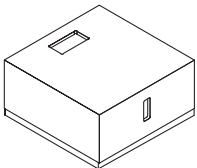
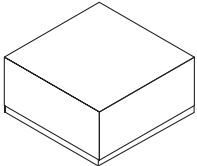
N95LLWP	Wood	\$ 1887
N95LLLP	Laminate	1780

DIMENSIONS

Width	31½	Weight	45.2
Depth	32¼	Cubic Ft.	16.3
Height	16½		

- Optional surface and side grommet locations are available

90° TABLE PLINTH BASE



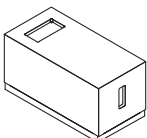
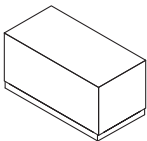
N95NNWP	Wood	\$ 1958
N95NNLP	Laminate	1852

DIMENSIONS

Width	28	Weight	47.8
Depth	28	Cubic Ft.	13.1
Height	16½		

- Optional surface and side grommet locations are available

SMALL END TABLE PLINTH BASE

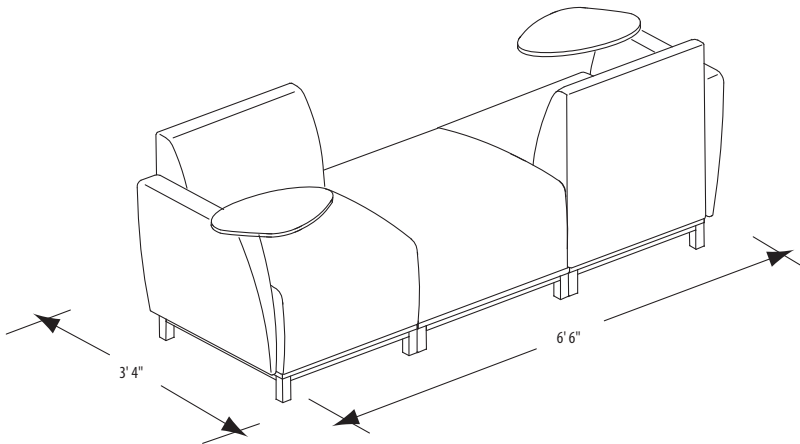


N95PPWP	Wood	\$ 1458
N95PPLP	Laminate	1353

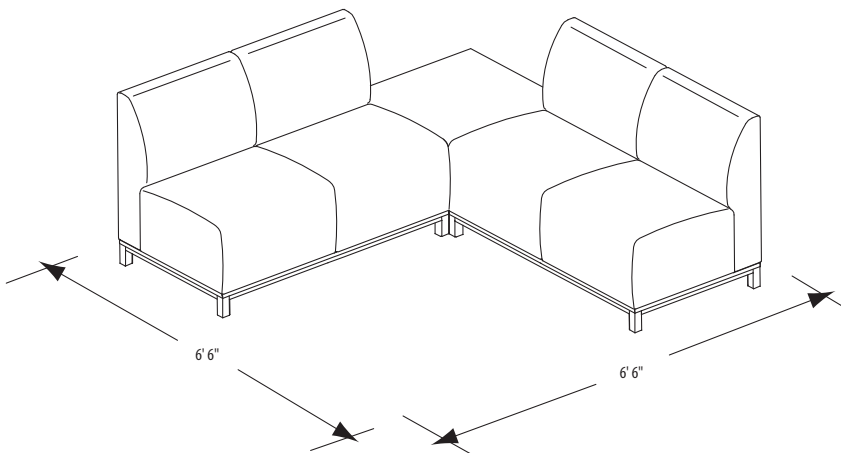
DIMENSIONS

Width	14	Weight	31.8
Depth	28	Cubic Ft.	7.5
Height	16½		

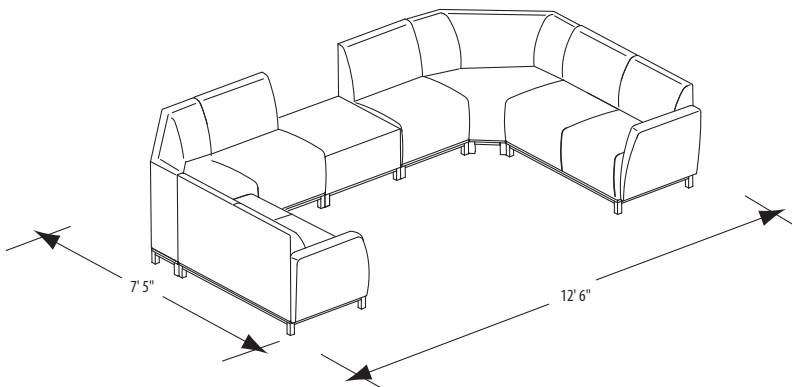
- Optional surface and side grommet locations are available



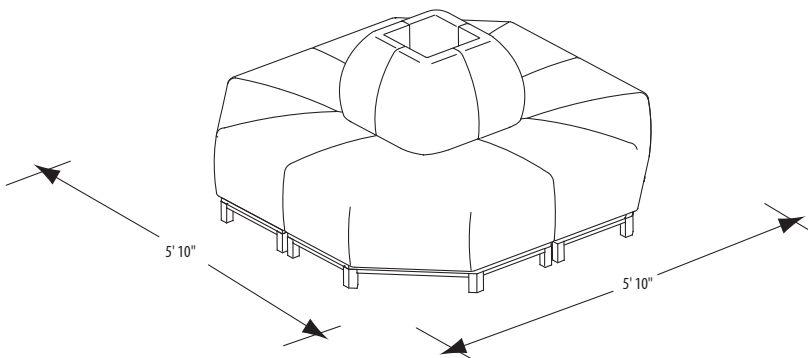
MODEL NO.	QUANTITY	DESCRIPTION	GRADE A LIST PRICE
N95MART	(2)	Tablet Right Arm	\$ 2865 ea
N95DD	(1)	1 Seat Bench	1711
N95TR	(10)	Ganging Bracket Kit	101 ea
Total			\$ 8451



MODEL NO.	QUANTITY	DESCRIPTION	GRADE A LIST PRICE
N95MB	(2)	Armless 2 Seat Lounge	\$ 3202 ea
N95NNW	(1)	90° Table, Wood	1958
N95TR	(10)	Ganging Bracket Kit	101 ea
Total			\$ 9372



MODEL NO.	QUANTITY	DESCRIPTION	GRADE A LIST PRICE
N95MBR	(1)	2 Seat Right Arm	\$ 3509
N95MK	(2)	90° Inside Corner	3178 ea
N95MA	(2)	1 Seat Armless	2197 ea
N95MBL	(1)	2 Seat Left Arm	3509
N95NNW	(1)	90° Table, Wood	1958
N95TR	(10)	Ganging Bracket Kit	101 ea
Total			\$ 20,736

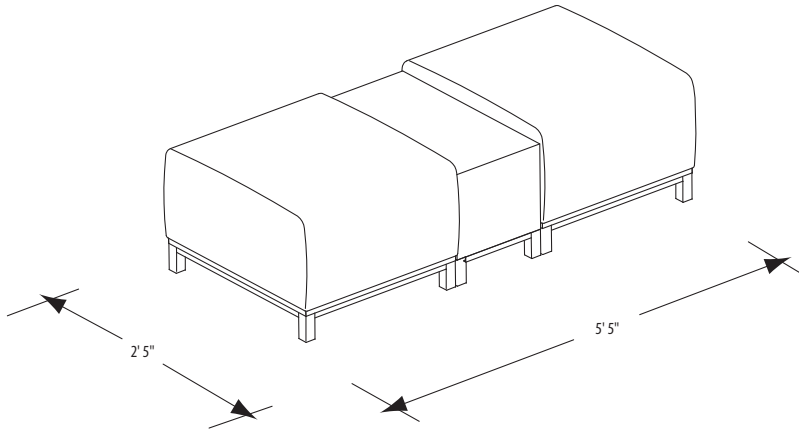


MODEL NO.	QUANTITY	DESCRIPTION	GRADE A LIST PRICE
N95MKA	(4)	90° Outside Corner	\$ 3122 ea
N95TR	(10)	Ganging Bracket Kit	101 ea
Total			\$ 13,498

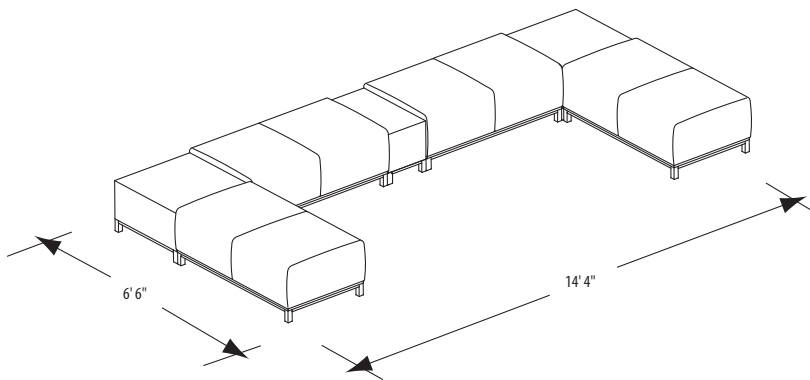
SWIFT

SWIFT

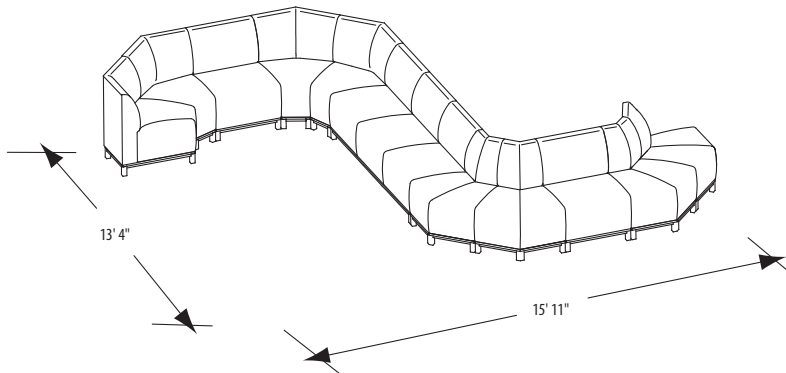
SWIFT



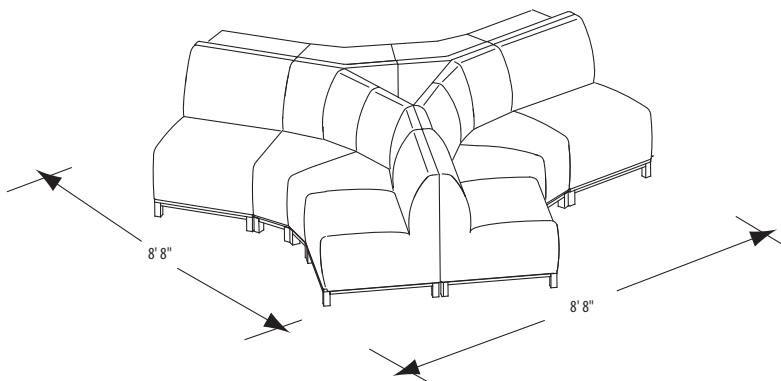
MODEL NO.	QUANTITY	DESCRIPTION	GRADE A LIST PRICE
N95DD	(2)	1 Seat Bench	\$ 1711 ea
N95PPW	(1)	Small End Table, Wood	1458
N95TR	(10)	Ganging Bracket Kit	101 ea
Total			\$ 5890



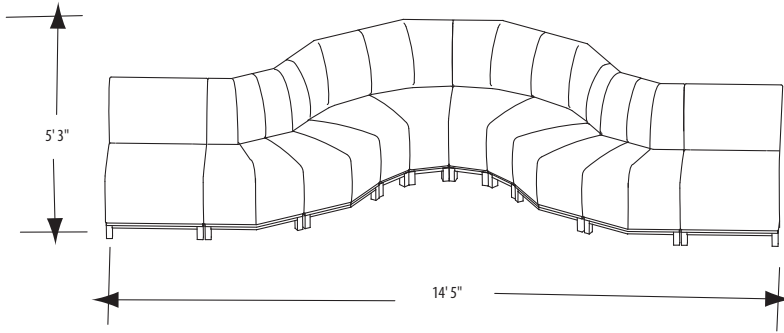
MODEL NO.	QUANTITY	DESCRIPTION	GRADE A LIST PRICE
N95EE	(4)	2 Seat Bench	\$ 2353 ea
N95NNW	(2)	90° Table, Wood	1958 ea
N95PPW	(1)	Small End Table, Wood	1458
N95TR	(10)	Ganging Bracket Kit	101 ea
Total			\$ 15,796



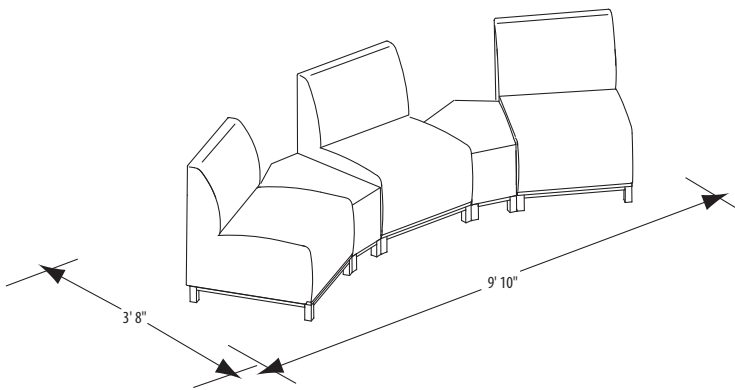
MODEL NO.	QUANTITY	DESCRIPTION	GRADE A LIST PRICE
N95MJ	(4)	45° Inside Corner	\$ 2446 ea
N95MJA	(4)	45° Outside Corner	2427 ea
N95MA	(2)	1 Seat Armless	2197 ea
N95MC	(1)	3 Seat Armless	4217
N95TR	(10)	Ganging Bracket Kit	101 ea
Total			\$ 29,113



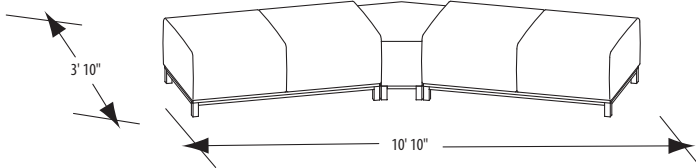
MODEL NO.	QUANTITY	DESCRIPTION	GRADE A LIST PRICE
N95MA	(6)	1 Seat Armless	\$ 2197 ea
N95MH	(6)	30° Inside Corner	2102 ea
N95TR	(10)	Ganging Bracket Kit	101 ea
Total			\$ 26,804



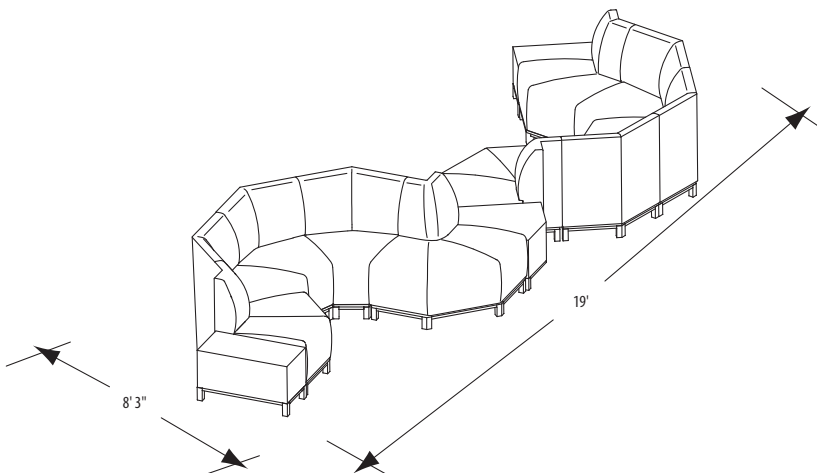
MODEL NO.	QUANTITY	DESCRIPTION	GRADE A LIST PRICE
N95MA	(2)	1 Seat Armless	\$ 2197 ea
N95MHA	(4)	30° Outside Corner	2093 ea
N95MH	(4)	30° Inside Corner	2102 ea
N95TR	(10)	Ganging Bracket Kit	101 ea
Total			\$ 22,184



MODEL NO.	QUANTITY	DESCRIPTION	GRADE A LIST PRICE
N95MA	(3)	1 Seat Armless	\$ 2197 ea
N95KKW	(2)	30° Corner Table	1744 ea
N95TR	(10)	Ganging Bracket Kit	101 ea
Total			\$ 11,089

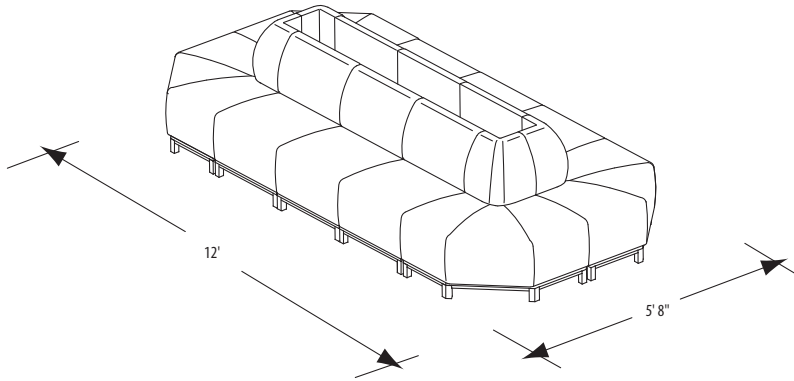


MODEL NO.	QUANTITY	DESCRIPTION	GRADE A LIST PRICE
N95EE	(2)	2 Seat Bench	\$ 2353 ea
N95KKW	(1)	30° Corner Table	1744
N95TR	(10)	Ganging Bracket Kit	101 ea
Total			\$ 7460

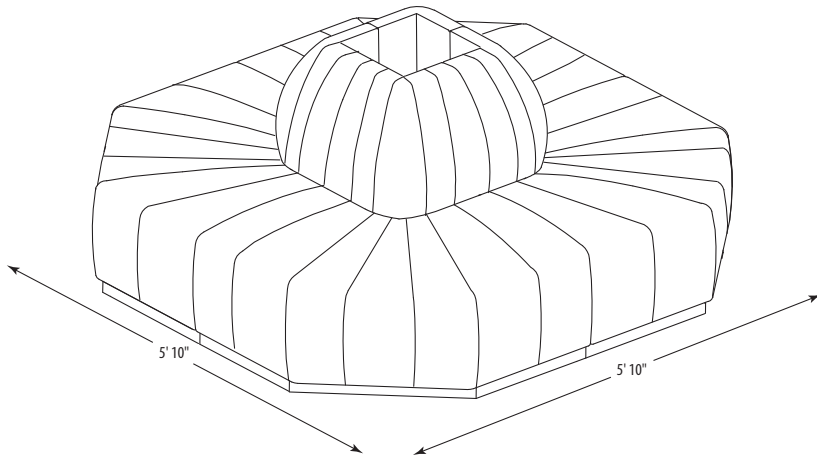


MODEL NO.	QUANTITY	DESCRIPTION	GRADE A LIST PRICE
N95PPW	(2)	Small End Table, Wood	\$ 1458 ea
N95MJA	(2)	45° Outside Corner Unit	2427 ea
N95MJ	(6)	45° Inside Corner Unit	2446 ea
N95MKA	(2)	90° Outside Corner Unit	3122 ea
N95KKW	(1)	30° Corner Table	1744
N95TR	(20)	Ganging Bracket Kit	101 ea
Total			\$ 32,454

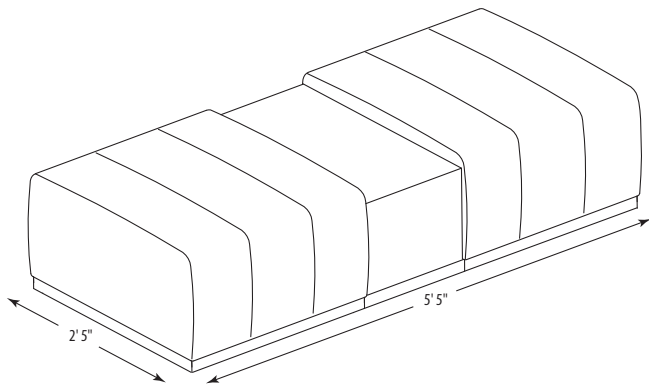
SWIFT



MODEL NO.	QUANTITY	DESCRIPTION	GRADE A LIST PRICE
N95MKA	(4)	90° Outside Corner Unit	\$ 3122 ea
N95MA	(6)	1 Seat Armless	2197 ea
N95TR	(20)	Ganging Bracket Kit	101 ea
Total			\$ 27,690



MODEL NO.	QUANTITY	DESCRIPTION	GRADE A LIST PRICE
N95MKATP	(4)	90° Outside Corner (Price includes Vertical Plinth Base Ganging Left and Right (LR) Option \$110 each)	\$ 3283 ea
Total			\$ 13,132



MODEL NO.	QUANTITY	DESCRIPTION	GRADE A LIST PRICE
N95DDTP	(2)	One Seat Bench Vertical Stitch Plinth Base (Price includes Ganging Left (L) and Ganging Right (R) Options +\$55 each)	\$ 1785 ea
N95PPWP	(1)	Small End Table Plinth Base, Wood (Price includes Ganging Left and Right (LR) Option \$110)	1568
Total			\$ 5138

SWIFT

COM YARDAGE REQUIREMENTS

COM YARDAGE REQUIREMENTS (54" WIDTH – CUT UP THE ROLL)

MODEL	RAILROADED Contact customer service 800-634-9510 for ydg requirements	NON DIRECTIONAL OR SOLID	1"-4" REPEAT	5"-11" REPEAT	12"-18" REPEAT	COL SQUARE FEET
			4" VERTICAL X 4" HORIZONTAL	11" VERTICAL X 11" HORIZONTAL	18" VERTICAL X 18" HORIZONTAL	
N95AA, N95AAC, N95AAL, N95AALC, N95AAR, N95AARC		5.80	7.00	8.40	9.50	116
N95AATP	Complete	6.90	8.00	9.90	10.60	136
N95AAX, N95AACX, N95AALX, N95AALCX, N95AARX, N95AARCX	Back	0.90	1.00	1.10	1.00	8
	Extreme	1.00	1.00	1.20	1.10	9
	Back Accent	1.00	1.00	1.20	1.10	6
	Seat	1.30	1.40	1.80	1.70	12
	Seat Accent	1.00	1.00	1.20	1.30	17
	Arm	2.50	2.80	3.80	4.00	48
N95AATPX	Back	1.20	1.20	1.50	2.10	23
	Extreme	1.00	1.00	1.20	1.10	9
	Back Accent	1.00	1.00	1.20	1.80	11
	Seat	1.70	1.80	2.10	2.30	33.50
	Seat Accent	1.00	1.30	1.50	1.80	19
	Arm	2.50	3.20	4.50	4.30	48.50
N95BB, N95BBB, N95BBL, N95BBR		7.00	10.60	12.70	13.90	140
N95BBTP	Complete	10.40	11.60	13.90	14.10	205
N95BBX, N95BBBX, N95BBLX, N95BBRX	Back	1.40	1.70	2.00	2.00	26
	Extreme	1.80	1.90	2.10	2.10	34
	Back Accent	1.00	1.00	1.20	1.10	6
	Seat	1.90	3.40	4.00	4.30	35
	Seat Accent	1.00	1.00	1.20	1.30	17
	Arm	2.50	2.80	3.80	4.00	48
N95BBTPX	Back	2.20	2.30	2.70	3.60	44
	Extreme	1.80	1.90	2.10	2.10	34
	Back Accent	1.00	1.00	1.20	1.80	11
	Seat	3.30	3.50	3.90	4.30	65
	Seat Accent	1.00	1.30	1.50	1.80	19
	Arm	2.50	3.20	4.50	4.30	48.50
N95CC, N95CCB, N95CCL, N95CCR		9.00	14.10	16.30	18.40	179
N95CCTP	Complete	13.80	15.10	17.90	18.10	273
N95CCTPX	Back	3.30	3.50	3.90	5.10	64.50
	Extreme	2.60	2.80	3.00	3.00	50.50
	Back Accent	1.00	1.00	1.20	1.80	11
	Seat	4.90	5.20	5.70	6.30	96.50
	Seat Accent	1.00	1.30	1.50	1.80	19
	Arm	2.50	3.20	4.50	4.30	48.50
N95CCX, N95CCBX, N95CCLX, N95CCRX	Back	1.70	2.50	3.00	3.00	31
	Extreme	2.60	2.80	3.00	3.00	50.50
	Back Accent	1.00	1.00	1.20	1.10	6
	Seat	3.00	5.30	6.10	6.80	58
	Seat Accent	1.00	1.20	1.20	1.30	17
	Arm	2.50	2.80	3.80	4.00	48
N95DD, N95DDC		2.60	2.90	3.20	3.50	52
N95DDX, N95DDCX	Seat	1.70	1.80	1.80	1.90	22.50
	Seat Accent	1.00	1.00	1.30	1.40	18
N95EE		3.40	5.50	6.20	6.50	68
N95EEX	Seat	2.60	4.50	4.90	5.40	49.25
	Seat Accent	1.00	1.00	1.30	1.40	18
N95GG		5.90	8.00	9.30	9.50	118
N95GGX	Seat	5.00	7.00	8.00	8.40	98
	Seat Accent	1.00	1.00	1.30	1.40	18
N95MA, N95MAC		3.20	4.30	5.00	5.40	64
N95MAL, N95MALT, N95MAR, N95MART		4.20	5.70	6.60	7.40	84

SWIFT

COM YARDAGE REQUIREMENTS

COM YARDAGE REQUIREMENTS (54" WIDTH – CUT UP THE ROLL)

MODEL	RAILROADED Contact customer service 800-634-9510 for ydg requirements	NON DIRECTIONAL OR SOLID	1"-4" REPEAT	5"-11" REPEAT	12"-18" REPEAT	COL SQUARE FEET
			4" VERTICAL X 4" HORIZONTAL	11" VERTICAL X 11" HORIZONTAL	18" VERTICAL X 18" HORIZONTAL	
N95MALX, N95MALT N95MARX, N95MARTX	Back	0.90	1.00	1.10	1.00	8
	Extreme	1.00	1.00	1.20	1.10	9
	Back Accent	1.00	1.00	1.20	1.10	6
	Seat	1.30	1.40	1.80	1.70	12
	Seat Accent	1.00	1.00	1.20	1.30	17
	Arm	1.50	1.50	2.00	2.00	27
N95MAX, N95MACX	Back	0.90	1.00	1.10	1.00	8
	Extreme	1.00	1.00	1.20	1.10	9
	Back Accent	1.00	1.00	1.20	1.10	6
	Seat	1.30	1.40	1.80	1.70	12
	Seat Accent	1.00	1.00	1.20	1.30	17
	Arm	1.50	1.50	2.00	2.00	27
N95MB		5.10	7.90	9.30	9.90	102
N95MBL, N95MBLT, N95MBR, N95MBRT		6.10	9.20	10.50	11.90	122
N95MBLX, N95MBLT N95MBRX, N95MBRTX	Back	1.40	1.70	2.00	2.00	26
	Extreme	1.80	1.90	2.10	2.10	34
	Back Accent	1.00	1.00	1.20	1.10	6
	Seat	1.90	3.40	4.00	4.30	35
	Seat Accent	1.00	1.00	1.20	1.30	17
	Arm	1.50	1.50	2.00	2.00	27
N95MBX	Back	1.40	1.70	2.00	2.00	26
	Extreme	1.80	1.90	2.10	2.10	34
	Back Accent	1.00	1.00	1.20	1.10	6
	Seat	1.90	3.40	4.00	4.30	35
	Seat Accent	1.00	1.00	1.20	1.30	17
	Arm	1.50	1.50	2.00	2.00	27
N95MC		7.10	11.40	13.00	14.40	142
N95MCL, N95MCLT, N95MCR, N95MCRT		8.10	12.80	14.50	16.40	162
N95MCLX, N95MCLT N95MCRX, N95MCRTX	Back	1.70	2.50	3.00	3.00	31
	Extreme	2.60	2.80	3.00	3.00	50.50
	Back Accent	1.00	1.00	1.20	1.10	6
	Seat	3.00	5.30	6.10	6.80	58
	Seat Accent	1.00	1.00	1.20	1.30	17
	Arm	1.50	1.50	2.00	2.00	27
N95MCX	Back	1.70	2.50	3.00	3.00	31
	Extreme	2.60	2.80	3.00	3.00	50.50
	Back Accent	1.00	1.00	1.20	1.10	6
	Seat	3.00	5.30	6.10	6.80	58
	Seat Accent	1.00	1.00	1.20	1.30	17
	Arm	1.50	1.50	2.00	2.00	27
N95MH		2.60	3.30	4.10	5.00	52
N95MHX	Back	0.90	1.00	1.10	1.00	17
	Extreme	1.00	1.00	1.20	1.10	10.50
	Back Accent	1.00	1.00	1.20	1.10	6
	Seat	1.40	1.40	1.70	1.80	26.50
	Seat Accent	1.00	1.00	1.20	1.30	17
	Arm	1.50	1.50	2.00	2.00	27
N95MHA		2.60	3.40	4.10	4.40	52
N95MHAX	Back	0.90	1.00	1.10	1.00	17
	Extreme	1.00	1.00	1.20	1.10	10.50
	Back Accent	1.00	1.00	1.20	1.10	6
	Seat	1.50	1.60	1.70	1.80	28
	Seat Accent	1.00	1.00	1.20	1.30	17
	Arm	1.50	1.50	2.00	2.00	27
N95MJ		3.30	3.70	5.00	5.20	66
N95MJX	Back	1.00	1.00	1.20	1.00	17
	Extreme	1.00	1.00	1.20	1.10	12.50
	Back Accent	1.00	1.00	1.20	1.10	6
	Seat	1.50	1.60	1.70	1.80	29
	Seat Accent	1.00	1.00	1.20	1.30	17
	Arm	1.50	1.50	2.00	2.00	27
N95MJA		2.50	3.30	3.70	4.40	50

SWIFT

COM YARDAGE REQUIREMENTS

COM YARDAGE REQUIREMENTS (54" WIDTH – CUT UP THE ROLL)

MODEL	RAILROADED Contact customer service 800-634-9510 for ydg requirements	NON DIRECTIONAL OR SOLID	1"-4" REPEAT	5"-11" REPEAT	12"-18" REPEAT	COL SQUARE FEET
			4" VERTICAL X 4" HORIZONTAL	11" VERTICAL X 11" HORIZONTAL	18" VERTICAL X 18" HORIZONTAL	
N95MJAX	Back	0.90	0.90	1.10	1.00	15
	Extreme	1.00	1.00	1.20	1.10	4.50
	Back Accent	1.00	1.00	1.20	1.10	6
	Seat	1.50	1.60	1.70	3.30	28
	Seat Accent	1.00	1.00	1.20	1.30	17
N95MK		4.10	4.40	6.60	7.10	82
N95MKX	Back	1.70	1.70	2.00	2.00	31
	Extreme	1.80	1.90	2.10	2.10	34
	Back Accent	1.00	1.00	1.20	1.10	6
	Seat	1.40	1.50	1.70	1.80	26.50
	Seat Accent	1.00	1.00	1.20	1.30	17
N95MKA		3.40	3.70	4.60	6.00	68
N95MKAX	Back	0.90	1.00	1.10	1.00	15
	Extreme	1.00	1.00	1.20	1.10	6
	Back Accent	1.00	1.00	1.20	1.30	17
	Seat	2.00	2.20	2.60	4.70	39
	Seat Accent	1.00	1.00	1.20	1.30	17
N95MKATP	Complete	8.90	9.30	11.20	11.80	176
N95MKATPX	Back	3.30	3.50	3.90	5.10	64.50
	Extreme	1.00	1.00	1.20	1.10	6
	Back Accent	1.00	1.00	1.20	1.30	17
	Seat	4.90	5.20	5.70	6.30	96.50
	Seat Accent	1.00	1.00	1.20	1.30	17
N95MKTP	Complete	6.80	7.40	8.80	10.10	134
N95MKTPX	Back	3.80	4.00	5.00	5.10	75
	Extreme	1.80	1.90	2.10	2.10	34
	Back Accent	1.00	1.00	1.20	1.10	6
	Seat	2.70	2.80	3.00	3.60	53.50
	Seat Accent	1.00	1.00	1.20	1.30	17
N95DDTP	Complete	3.50	3.75	4.00	4.25	69.50
N95DDTPX	Seat	2.50	2.50	2.75	3.20	49.50
	Seat Accent	1.20	1.25	1.50	2.25	22.50
N95EETP	Complete	5.90	6.00	6.40	6.70	116.25
N95EETPX	Seat	4.90	5.00	5.20	5.70	96.30
	Seat Accent	1.20	1.25	1.50	2.25	22.50
N95GGTP	Complete	8.20	8.50	8.90	9.20	163.50
N95GGTPX	Seat	7.20	7.50	7.60	8.20	143.50
	Seat Accent	1.20	1.25	1.50	2.25	22.50

SWIFT

