
Swift

Product Specifications	590
Fabrics and Options	591
Contrasting Fabric	592
Product Pages - Non-Tufting	594
Product Pages - Tufting	602
COM Yardage Requirements	609

SWIFT PRODUCT SPECIFICATIONS

LOUNGE

FRAME CONSTRUCTION

- Interior frame is constructed of plywood with tenon joints that are glued and screwed for maximum joint stability
- Exterior base frame features wood and metal-look accents
- Each joint is securely glued for maximum joint stability

SEAT CONSTRUCTION

- 4" of high grade polyurethane foam covers a plywood seat panel with high tension strip webbing for comfort

BACK CONSTRUCTION

- 4½" of high grade custom shaped polyurethane foam stretched over web sheet and attached to frame

ARM CONSTRUCTION

- ½" of high grade polyurethane foam covers a plywood constructed arm frame

UPHOLSTERY DETAIL

- Contrasting fabric available on all models
- Railroaded fabrics cannot be specified for vertical tufted models

LEGS

- Extruded aluminum legs with nylon leveling glides

MOBILE UNIT CASTERS

- Black, double wheel, roll control casters are standard and work on all floors

TABLET ARM

- ¾" thick black 3D Laminate with MDF core or ¾" thick maple
- Attached with ¼" steel base plate and screws that mounts over ¼" metal insert rod and fits into structure of arm
- Allows for 360° swivel and writing surface of 21" W x 13½" D

FINISH

- Tablet arm features a catalyzed top coat that resists denting, peeling and reactions to chemicals
- Can be cleaned with a damp cloth
- When specifying Brighton, Natural, and Sonoma finish, variation in color is acceptable due to the nature of wood characteristics

PLINTH BASE

- Available on tufting models only
- Black PVC edge
- Includes leveling glides

GANGING - TUFTING MODELS

- Ganging option available for an additional upcharge on the armless side(s) of lounges, benches and tables
- A right ganging bolt and left V-bracket is necessary for units to be ganged
- To gang units, simply lift unit and insert ganging bolt into ganging V-bracket

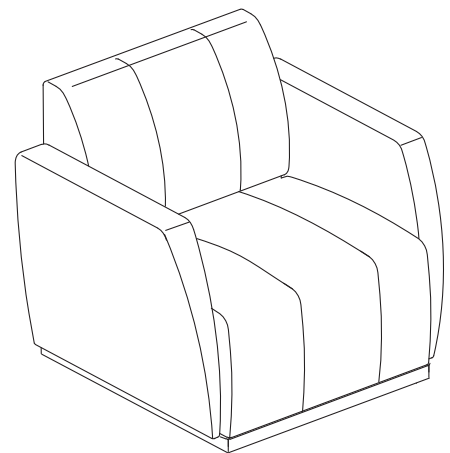
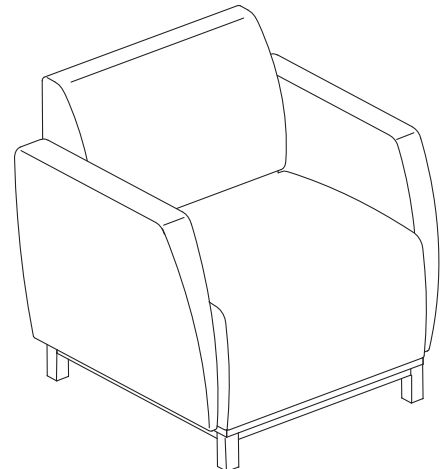
TABLES

FRAME CONSTRUCTION

- Grade A slipmatched maple (Brighton, Caramel, Honey, Natural), or cherry veneer (Amber, Autumn, Cordovan, Judicial, Mocha, Truffle) with mitered corners and extruded aluminum legs with rails
- Veneer features a semi-open pore matte sheen

POWER AND DATA GROMMET

- Available in the 30°, 45°, 90° and small end tables
- 3 power grommets available; specify cutout option and order electrical grommet model separately. See page 831 for details and pricing
- Power grommet not available on coffee or console tables



SURFACE MATERIALS

See the Kimball Hospitality Surface Materials Reference Guide at kimballhospitality.com for a complete overview of our materials program, including:

- Characteristics of wood
- Special wood finishes
- Customer-specified laminate (CSL)
- Customer-specified paint (CSP)
- Fabric application and colorways
- Customer's own material (COM) process overview
- Alliance program

ALLIANCE FABRIC PROGRAM

Kimball Hospitality has analyzed each model to most accurately reflect the COM/COL yardage requirements shown on page 609.

The yardage requirement for each model is based on 54" W fabric and cutting the fabric up the roll.

If repeat is larger than 18", contact Customer Service to confirm the correct amount of yardage required. When ordering 10 or more chairs in the same COM, yardage requirements may be reduced.

Contact Customer Service.

PRICE GRADES A-R

See Surface Materials at www.kimballhospitality.com for a wide variety of graded-in fabrics from Arc-Com, Carnegie, CF Stinson, Designtex, Maharam, Mayer, Momentum, and Ultrafabrics.

FABRIC SAMPLES

If you need samples for presentation(s), contact our alliance partners directly at:

Arc-Com	800.223.5466	arc-com.com
Carnegie	800.727.6770	carnegiefabrics.com
CF Stinson	800.841.6279	cfstinson.com
Designtex	800.221.1540	designtex.com
Maharam	800.645.3943	maharam.com
Mayer	800.428.4415	mayerfabrics.com
Momentum	800.366.6839	memosamples.com
Ultrafabrics	877.309.6648	ultrafabricsllc.com

TABLES SURFACE GROMMETS/CUTOUTS

(\$30 list upcharge per location)

CUT-G12	G12 Cutout
CUT-G17	G17 Cutout
CUT-G23	G23 Cutout
X	No Grommet

TABLES SIDE GROMMETS/CUTOUTS

(\$30 list upcharge per location)

CUT-G23C	Power Grommet
X	No Grommet

Reference page 831 for pricing and details

TABLET ARM

T	3D Laminate, Black
W	Wood

FRAME COLORS - NON-TUFTING MODELS

423	Concrete
462	Cinder
463	Iron
497	Polished Aluminum
501	Platinum Metallic
503	Satin Nickel Metallic

FINISHES

AC	Autumn	PB	Portobello*
AD	Almond*	PT	Portico*
CL	Caramel	SK	Skyline*
CW	Cordovan	SM	Sonoma*
DW	Judicial	TF	Truffle
HN	Honey	405	Designer White*
IM	Brighton	462	Cinder*
MC	Amber	792	Sable*
MH	Mocha	793	Acorn*†
NM	Natural		

*Not available on tables

†Acorn is the finish and laminate complement to Clear Walnut finish

LAMINATES

AC2	Autumn 2	TF	Truffle
AD	Almond	405	Designer White
CL	Caramel	419	Wallaby
CW	Cordovan	425	Shadow
DW	Judicial	440	Cloud
HN2	Honey 2	461	Graphite
IM	Brighton	462	Cinder
MC	Amber	478	Platinum Grey
MH	Mocha	488	Frosty White
NM	Natural	491	Designer White
PB	Portobello		Linear
PT	Portico	492	Cinder Linear
SK	Skyline	792	Sable
SM	Sonoma	793	Acorn†

GANGING OPTIONS TUFTING MODELS ONLY

(\$63 list upcharge per ganging location)

LOUNGE

L	Ganging Left
R	Ganging Right
LR	Ganging Left and Right
X	No Ganging

TABLES

1	Ganging 1 Side
2	Ganging 2 Sides
X	No Ganging

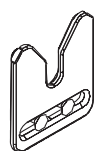
GANGING BRACKET DETAILS (AS SEATED)

RIGHT SIDE GANGING



Ganging Bolt

LEFT SIDE GANGING



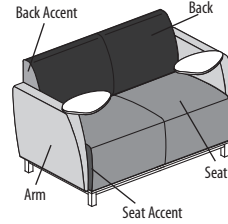
Ganging V-Bracket

TO ORDER CONTRASTING FABRIC, SPECIFY

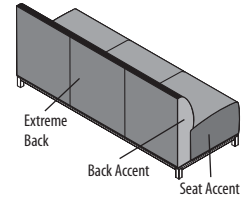
SWIFT

- 1 Seat Lounge page 594**
- 1 Seat Lounge - Single Arm page 594**
- 2 Seat Lounge page 595**
- 2 Seat Lounge - Single Arm page 595**
- 3 Seat Lounge page 596**
- 3 Seat Lounge - Single Arm page 596**

1. Model Number plus "X"
2. Back Fabric Grade Number/Cover Number
3. Extreme Fabric Grade Number/Cover Number
4. Back Accent Fabric Grade Number/Cover Number
5. Seat Fabric Grade Number/Cover Number
6. Seat Accent Fabric Grade Number/Cover Number
7. Arm Fabric Grade Number/Cover Number
8. Tablet (when applicable)
9. Finish Designator
10. Frame Color



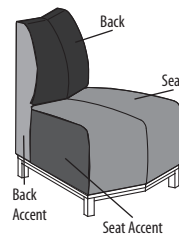
Contrasting Fabric Tablet Both Arms



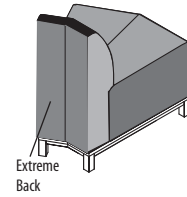
Contrasting Fabric Back View

- 30° Corner Unit page 597**
- 45° Inside Corner Unit page 597**
- 45° Outside Corner Unit page 597**
- 90° Inside Corner Unit page 598**
- 90° Outside Corner Unit page 598**

1. Model Number plus "X"
2. Back Fabric Grade Number/Cover Number
3. Extreme Fabric Grade Number/Cover Number
4. Back Accent Fabric Grade Number/Cover Number
5. Seat Fabric Grade Number/Cover Number
6. Seat Accent Fabric Grade Number/Cover Number
7. Finish Designator
8. Frame Color



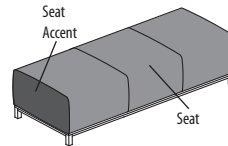
Contrasting Fabric



Contrasting Upholstery Back View

- 1 Seat Bench page 599**
- 2 Seat Bench page 599**
- 3 Seat Bench page 599**

1. Model Number plus "X"
2. Seat Fabric Grade Number/Cover Number
3. Seat Accent Fabric Grade Number/Cover Number
4. Finish Designator
5. Frame Color



Contrasting Fabric

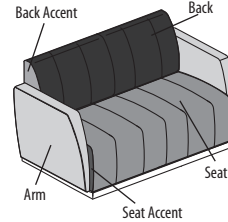
SWIFT

1 Seat Lounge Vertical Tuft Plinth Base page 602

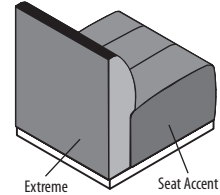
2 Seat Lounge Vertical Tuft Plinth Base page 602

3 Seat Lounge Vertical Tuft Plinth Base page 602

1. Model Number plus "X"
2. Ganging
3. Back Fabric Grade Number/Cover Number
4. Extreme Fabric Grade Number/Cover Number
5. Back Accent Fabric Grade Number/Cover Number
6. Seat Fabric Grade Number/Cover Number
7. Seat Accent Fabric Grade Number/Cover Number
8. Arm Fabric Grade Number/Cover Number



Contrasting Fabric

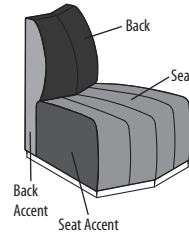


Contrasting Fabric Back View

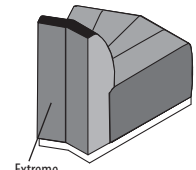
90° Inside Corner Lounge Vertical Tuft Plinth Base page 603

90° Outside Corner Lounge Vertical Tuft Plinth Base page 603

1. Model Number plus "X"
2. Ganging
3. Back Fabric Grade Number/Cover Number
4. Extreme Fabric Grade Number/Cover Number
5. Back Accent Fabric Grade Number/Cover Number
6. Seat Fabric Grade Number/Cover Number
7. Seat Accent Fabric Grade Number/Cover Number



Contrasting Fabric



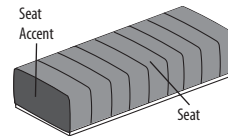
Contrasting Upholstery Back View

1 Seat Bench Vertical Tuft Plinth Base page 603

2 Seat Bench Vertical Tuft Plinth Base page 603

3 Seat Bench Vertical Tuft Plinth Base page 603

1. Model Number plus "X"
2. Ganging
3. Seat Fabric Grade Number/Cover Number
4. Seat Accent Fabric Grade Number/Cover Number



Contrasting Fabric

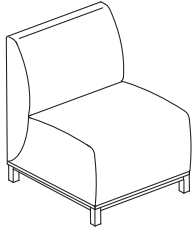
SWIFT

TO ORDER, SPECIFY:

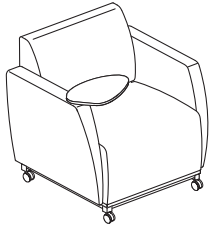
1. Model Number
2. Fabric Grade Number
3. Cover Number
4. Tablet (when applicable)
5. Finish Designator
6. Frame Color

- See page 591 for Swift options
- See pages 609-611 for COM fabric yardage

1 SEAT LOUNGE



Armless



Tablet Right Arm - Mobile

MODEL NO.

ALLIANCE PROGRAM PRICE GRADES

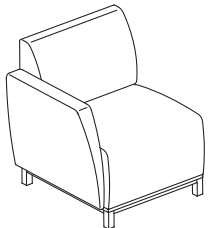
			A	B	C	D	E	F	G	H	I
			J	K	L	M	N	O	P	Q	R
N95MA	Armless	\$	2526	2629	2709	2793	2886	2985	3066	3168	3270
			3373	3531	3853	4052	4157	4262	4365	4470	4569
N95MAC	Armless - Mobile		2734	2837	2917	3001	3094	3193	3274	3376	3478
			3581	3739	4061	4260	4365	4470	4573	4678	4777
N95AA	Arms		3379	3567	3715	3869	4040	4222	4371	4559	4747
			4935	5226	5818	6183	6377	6571	6759	6953	7135
N95AAR	Tablet Right Arm		3689	3877	4025	4179	4350	4532	4681	4869	5057
			5245	5536	6128	6493	6687	6881	7069	7263	7445
N95AAL	Tablet Left Arm		3689	3877	4025	4179	4350	4532	4681	4869	5057
			5245	5536	6128	6493	6687	6881	7069	7263	7445
N95AAC	Arms - Mobile		3586	3774	3922	4076	4247	4429	4578	4766	4954
			5142	5433	6025	6390	6584	6778	6966	7160	7342
N95AARC	Tablet Right Arm - Mobile		3898	4086	4234	4388	4559	4741	4890	5078	5266
			5454	5745	6337	6702	6896	7090	7278	7472	7654
N95AALC	Tablet Left Arm - Mobile		3898	4086	4234	4388	4559	4741	4890	5078	5266
			5454	5745	6337	6702	6896	7090	7278	7472	7654

DIMENSIONS

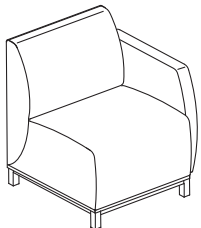
Armless Width	26½	Arm Height	27¼	Seat Depth	21¼	Armless Weight	49
Arm Width	32	Seat Height	19¼	Back Height	32½	Arm Weight	78
Depth	30	Seat Width	26½	Back Width	26½	Cubic Ft.	26.3
Height	32½						

• Contrasting fabric option – specify X (i.e., N95MAX); see page 592. For list pricing, use your electronic specification tool or contact customer service

1 SEAT LOUNGE - SINGLE ARM



Right Arm



Left Arm

			A	B	C	D	E	F	G	H	I
			J	K	L	M	N	O	P	Q	R
N95MAR	Right Arm	\$	2924	3069	3183	3302	3434	3575	3689	3834	3980
			4125	4349	4807	5088	5238	5388	5533	5682	5823
N95MART	Tablet Right Arm		3295	3440	3554	3673	3805	3946	4060	4205	4351
			4496	4720	5178	5459	5609	5759	5904	6053	6194
N95MAL	Left Arm		2924	3069	3183	3302	3434	3575	3689	3834	3980
			4125	4349	4807	5088	5238	5388	5533	5682	5823
N95MALT	Tablet Left Arm		3295	3440	3554	3673	3805	3946	4060	4205	4351
			4496	4720	5178	5459	5609	5759	5904	6053	6194

DIMENSIONS

Width	29½	Arm Height	27¼	Seat Depth	21¼	Weight	67
Depth	30	Seat Height	19¼	Back Height	32½	Cubic Ft.	26.3
Height	32½	Seat Width	26½	Back Width	26½		

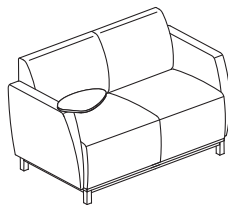
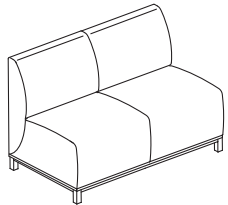
• Contrasting fabric option – specify X (i.e., N95MALX); see page 592. For list pricing, use your electronic specification tool or contact customer service

TO ORDER, SPECIFY:

1. Model Number
2. Fabric Grade Number
3. Cover Number
4. Tablet (when applicable)
5. Finish Designator
6. Frame Color

- See page 591 for Swift options
- See pages 609-611 for COM fabric yardage

2 SEAT LOUNGE



Tablet Right Arm

MODEL NO.

ALLIANCE PROGRAM PRICE GRADES

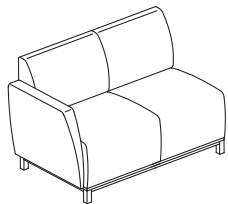
		A	B	C	D	E	F	G	H	I
		J	K	L	M	N	O	P	Q	R
N95MB	Armless	\$ 3681	3840	3964	4094	4238	4392	4516	4675	4833
		4992	5236	5736	6043	6206	6369	6528	6691	6844
N95BB	Arms	4488	4703	4872	5047	5242	5450	5619	5834	6048
		6263	6594	7270	7686	7907	8128	8343	8564	8772
N95BBR	Tablet Right Arm	4798	5013	5182	5357	5552	5760	5929	6144	6358
		6573	6904	7580	7996	8217	8438	8653	8874	9082
N95BBL	Tablet Left Arm	4798	5013	5182	5357	5552	5760	5929	6144	6358
		6573	6904	7580	7996	8217	8438	8653	8874	9082
N95BBB	Tablet Both Arms	5109	5324	5493	5668	5863	6071	6240	6455	6669
		6884	7215	7891	8307	8528	8749	8964	9185	9393

DIMENSIONS

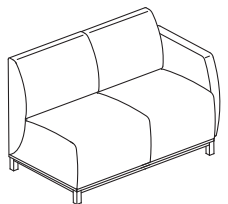
Armless Width	51½	Arm Height	27¼	Seat Depth	21¼	Armless Weight	84
Arm Width	59¼	Seat Height	19¼	Back Height	32½	Arm Weight	120
Depth	30	Seat Width	51½	Back Width	51½	Cubic Ft.	48.8
Height	32½						

• Contrasting fabric option – specify X (i.e., N95MBX); see page 592. For list pricing, use your electronic specification tool or contact customer service

2 SEAT LOUNGE - SINGLE ARM



Right Arm



Left Arm

		A	B	C	D	E	F	G	H	I
		J	K	L	M	N	O	P	Q	R
N95MBR	Right Arm	\$ 4035	4210	4348	4491	4650	4820	4957	5132	5307
		5482	5752	6304	6643	6823	7003	7178	7358	7528
N95MBRT	Tablet Right Arm	4404	4579	4717	4860	5019	5189	5326	5501	5676
		5851	6121	6673	7012	7192	7372	7547	7727	7897
N95MBL	Left Arm	4035	4210	4348	4491	4650	4820	4957	5132	5307
		5482	5752	6304	6643	6823	7003	7178	7358	7528
N95MBLT	Tablet Left Arm	4404	4579	4717	4860	5019	5189	5326	5501	5676
		5851	6121	6673	7012	7192	7372	7547	7727	7897

DIMENSIONS

Width	55¼	Arm Height	27¼	Seat Depth	21¼	Weight	113
Depth	30	Seat Height	19¼	Back Height	32½	Cubic Ft.	48.8
Height	32½	Seat Width	51½	Back Width	51½		

• Contrasting fabric option – specify X (i.e., N95MBLX); see page 592. For list pricing, use your electronic specification tool or contact customer service

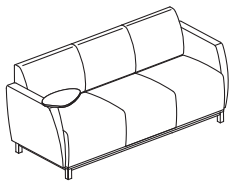
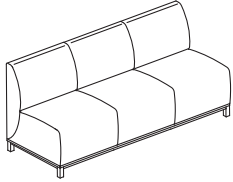
SWIFT

TO ORDER, SPECIFY:

1. Model Number
2. Fabric Grade Number
3. Cover Number
4. Tablet (when applicable)
5. Finish Designator
6. Frame Color

- See page 591 for Swift options
- See pages 609-611 for COM fabric yardage

3 SEAT LOUNGE



Tablet Right Arm

MODEL NO.

ALLIANCE PROGRAM PRICE GRADES

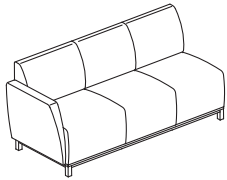
			A	B	C	D	E	F	G	H	I
			J	K	L	M	N	O	P	Q	R
N95MC	Armless	\$	4849	5070	5244	5425	5626	5840	6015	6236	6457
			6678	7020	7716	8145	8373	8601	8822	9050	9264
N95CC	Arms		5668	5955	6181	6416	6677	6955	7182	7469	7756
			8043	8487	9391	9948	10244	10540	10827	11123	11401
N95CCR	Tablet Right Arm		5981	6268	6494	6729	6990	7268	7495	7782	8069
			8356	8800	9704	10261	10557	10853	11140	11436	11714
N95CCL	Tablet Left Arm		5981	6268	6494	6729	6990	7268	7495	7782	8069
			8356	8800	9704	10261	10557	10853	11140	11436	11714
N95CCB	Tablet Both Arms		6290	6577	6803	7038	7299	7577	7804	8091	8378
			8665	9109	10013	10570	10866	11162	11449	11745	12023

DIMENSIONS

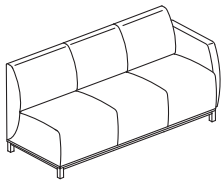
Armless Width	76	Arm Height	27¼	Seat Depth	21¼	Armless Weight	141
Arm Width	83	Seat Height	19¼	Back Height	32¼	Arm Weight	155
Depth	30	Seat Width	79¼	Back Width	79¼	Cubic Ft.	72.2
Height	32¼						

• Contrasting fabric option – specify X (i.e., N95CCX); see page 592. For list pricing, use your electronic specification tool or contact customer service

3 SEAT LOUNGE - SINGLE ARM



Right Arm



Left Arm

			A	B	C	D	E	F	G	H	I
			J	K	L	M	N	O	P	Q	R
N95MCR	Right Arm	\$	5214	5458	5650	5850	6072	6309	6501	6745	6990
			7234	7611	8381	8854	9106	9358	9602	9853	10090
N95MCRT	Tablet Right Arm		5585	5829	6021	6221	6443	6680	6872	7116	7361
			7605	7982	8752	9225	9477	9729	9973	10224	10461
N95MCL	Left Arm		5214	5458	5650	5850	6072	6309	6501	6745	6990
			7234	7611	8381	8854	9106	9358	9602	9853	10090
N95MCLT	Tablet Left Arm		5585	5829	6021	6221	6443	6680	6872	7116	7361
			7605	7982	8752	9225	9477	9729	9973	10224	10461

DIMENSIONS

Width	82¼	Arm Height	27¼	Seat Depth	21¼	Weight	148
Depth	30	Seat Height	19¼	Back Height	32¼	Cubic Ft.	72.2
Height	32¼	Seat Width	79¼	Back Width	79¼		

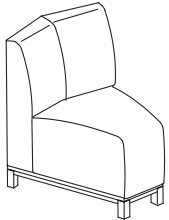
• Contrasting fabric option – specify X (i.e., N95MCLX); see page 592. For list pricing, use your electronic specification tool or contact customer service

TO ORDER, SPECIFY:

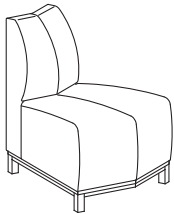
1. Model Number
2. Fabric Grade Number
3. Cover Number
4. Finish Designator
5. Frame Color

- See page 591 for Swift options
- See pages 609-611 for COM fabric yardage

30° CORNER UNIT



30° Inside Corner



30° Outside Corner

MODEL NO.

ALLIANCE PROGRAM PRICE GRADES

			A	B	C	D	E	F	G	H	I
			J	K	L	M	N	O	P	Q	R
N95MH	Inside Corner	\$	2417	2503	2571	2641	2719	2802	2870	2956	3041
			3127	3260	3530	3697	3785	3873	3959	4048	4131
N95MHA	Outside Corner		2407	2486	2548	2613	2685	2762	2824	2903	2983
			3062	3184	3434	3587	3669	3751	3830	3911	3988

DIMENSIONS - INSIDE CORNER

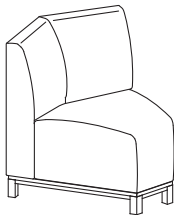
Width	25½	Seat Height	19¼	Weight	40
Depth	32			Cubic Ft.	31.9
Height	32½				

DIMENSIONS - OUTSIDE CORNER

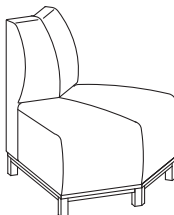
Width	27	Seat Height	19¼	Weight	40
Depth	31			Cubic Ft.	31.9
Height	32½				

- Contrasting fabric option – specify X (i.e., N95MHAX); see page 592. For list pricing, use your electronic specification tool or contact customer service
- Stripes and plaids are not recommended as the fabrics may not align at the seams

45° CORNER UNIT



45° Inside Corner



45° Outside Corner

			A	B	C	D	E	F	G	H	I
			J	K	L	M	N	O	P	Q	R
N95MJ	Inside Corner	\$	2812	2915	2995	3079	3172	3271	3352	3454	3556
			3659	3817	4139	4338	4443	4548	4651	4756	4855
N95MJA	Outside Corner		2791	2880	2950	3023	3104	3190	3261	3350	3439
			3528	3666	3946	4119	4211	4303	4392	4484	4570

DIMENSIONS - INSIDE CORNER

Width	32½	Seat Height	19¼	Weight	45
Depth	32½			Cubic Ft.	31.9
Height	32½				

DIMENSIONS - OUTSIDE CORNER

Width	33½	Seat Height	19¼	Weight	45
Depth	33½			Cubic Ft.	31.9
Height	32½				

- Contrasting fabric option – specify X (i.e., N95MJAX); see page 592. For list pricing, use your electronic specification tool or contact customer service
- Stripes and plaids are not recommended as the fabrics may not align at the seams

SWIFT

90° CORNER UNIT TO ORDER, SPECIFY:

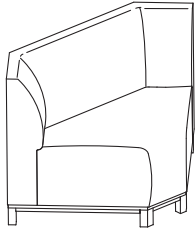
1. Model Number
2. Fabric Grade Number
3. Cover Number
4. Finish Designator
5. Frame Color

PULL-UP TABLE TO ORDER, SPECIFY:

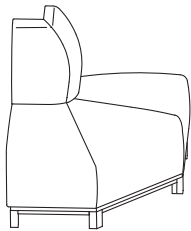
1. Model Number
2. Laminate or Finish
3. Paint

- See page 591 for Swift options
- See pages 609-611 for COM fabric yardage

90° CORNER UNIT



90° Inside Corner



90° Outside Corner

MODEL NO.

ALLIANCE PROGRAM PRICE GRADES

			A	B	C	D	E	F	G	H	I
			J	K	L	M	N	O	P	Q	R
N95MK	Inside Corner	\$	3654	3796	3908	4024	4153	4291	4402	4544	4686
			4828	5047	5495	5770	5916	6062	6204	6350	6488
N95MKA	Outside Corner		3589	3692	3772	3856	3949	4048	4129	4231	4333
			4436	4594	4916	5115	5220	5325	5428	5533	5632

DIMENSIONS - INSIDE CORNER

Width	50½	Seat Height	19¼	Weight	56
Depth	30			Cubic Ft.	31.9
Height	32½				

DIMENSIONS - OUTSIDE CORNER

Width	48%	Seat Height	19¼	Weight	56
Depth	33%			Cubic Ft.	36.9
Height	32½				

- Contrasting fabric option – specify X (i.e., N95MKAX); see page 592. For list pricing, use your electronic specification tool or contact customer service
- Stripes and plaids are not recommended as the fabrics may not align at the seams

PERSONAL PULL-UP TABLE



MODEL NO.

LIST PRICE

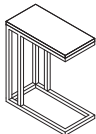
10N1622RTPUW	Wood	\$	1336
10N1622RTPUL	Laminate		1336

DIMENSIONS

Width	22	Weight	32
Depth	13¾	Cubic Ft.	9.25
Height	28½		

- 50 lb. weight limit
- Specify metal finish (423) Concrete, (462) Cinder, (463) Iron, (501) Platinum Metallic, or (503) Satin Nickel Metallic
- Veneer species is maple
- Acorn is the laminate/wood complement to Clear Walnut
- NON-CONTRACT/OPEN MARKET

PERSONAL PULL-UP TABLE



White Marble



Black Marble

10N1120RTPU2SS	White Marble	\$	942
10N1620RTPU2SB	Black Marble		942

DIMENSIONS - WHITE MARBLE

Width	20	Weight	30
Depth	11	Cubic Ft.	5
Height	25		

DIMENSIONS - BLACK MARBLE

Width	20	Weight	30
Depth	16	Cubic Ft.	6.95
Height	25		

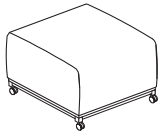
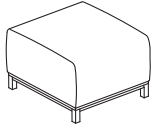
- 50 lb. weight limit
- White Marble model has a Platinum Metallic base; Black Marble model has a Cinder base
- 10N1620RTPU2SB top material is Porcelain with pattern Nero Marquina
- 10N1120RTPU2SS top material is Natural Marble species of Bianco Crown Marble
- Specify model number only

TO ORDER, SPECIFY:

1. Model Number
2. Fabric Grade Number
3. Cover Number
4. Finish Designator
5. Frame Color

- See page 591 for Swift options
- See pages 609-611 for COM fabric yardage

1 SEAT BENCH



Mobile

MODEL NO.

ALLIANCE PROGRAM PRICE GRADES

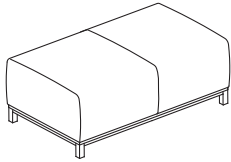
		A	B	C	D	E	F	G	H	I
		J	K	L	M	N	O	P	Q	R
N95DD	1 Seat Bench	\$ 1967	2053	2121	2191	2269	2352	2420	2506	2591
		2677	2810	3080	3247	3335	3423	3509	3598	3681
N95DDC	1 Seat Bench - Mobile	2174	2260	2328	2398	2476	2559	2627	2713	2798
		2884	3017	3287	3454	3542	3630	3716	3805	3888

DIMENSIONS

Width	26¼	Weight	35
Depth	30	Cubic Ft.	16.7
Height	19¼		

- Contrasting fabric option – specify X (i.e., N95DDX); see page 592. For list pricing, use your electronic specification tool or contact customer service
- Railroaded fabrics will require a seam on the front and back edges of bench

2 SEAT BENCH



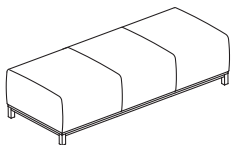
		A	B	C	D	E	F	G	H	I
		J	K	L	M	N	O	P	Q	R
N95EE	2 Seat Bench	\$ 2706	2818	2906	2998	3100	3209	3297	3409	3522
		3634	3807	4161	4378	4494	4610	4722	4837	4946

DIMENSIONS

Width	51½	Weight	65
Depth	30	Cubic Ft.	29.4
Height	19¼		

- Contrasting fabric option – specify X (i.e., N95EEEX); see page 592. For list pricing, use your electronic specification tool or contact customer service
- Railroaded fabrics will require a seam on the front and back edges of bench

3 SEAT BENCH



		A	B	C	D	E	F	G	H	I
		J	K	L	M	N	O	P	Q	R
N95GG	3 Seat Bench	\$ 3538	3732	3886	4045	4222	4411	4564	4759	4954
		5148	5449	6063	6440	6641	6842	7036	7237	7426

DIMENSIONS

Width	76	Weight	95
Depth	30	Cubic Ft.	44.8
Height	19¼		

- Contrasting fabric option – specify X (i.e., N95GGX); see page 592. For list pricing, use your electronic specification tool or contact customer service
- Railroaded fabrics will require a seam on the front and back edges of bench

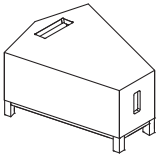
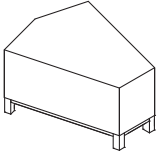
SWIFT

TO ORDER, SPECIFY:

1. Model Number
2. Surface Grommet
3. Side Grommet
4. Wood/Laminate Finish
5. Frame Color

• See page 591 for Swift options

30° TABLE



Optional Surface and Side Grommet Locations

MODEL NO.

LIST PRICE

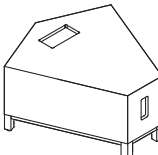
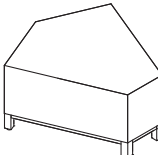
N95KKW	Wood	\$ 2006
N95KKL	Laminate	1883

DIMENSIONS

Width	25	Weight	40
Depth	30¼	Cubic Ft.	12.6
Height	16½		

- Power grommet sold separately; reference page 831 for pricing and details
- Optional surface grommet cutout available in G12, G17, and G23 cutout (+30 list)
- Optional side grommet cutout available in G23 cutout (+30 list)

45° TABLE



Optional Surface and Side Grommet Locations

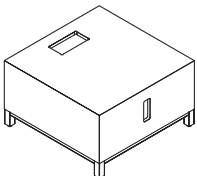
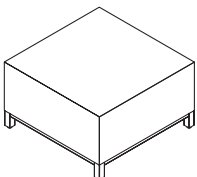
N95LLW	Wood	\$ 2170
N95LLL	Laminate	2047

DIMENSIONS

Width	31½	Weight	45.2
Depth	32¼	Cubic Ft.	16.3
Height	16½		

- Power grommet sold separately; reference page 831 for pricing and details
- Optional surface grommet cutout available in G12, G17, and G23 cutout (+30 list)
- Optional side grommet cutout available in G23 cutout (+30 list)

90° TABLE



Optional Surface and Side Grommet Locations

N95NNW	Wood	\$ 2252
N95NNL	Laminate	2130

DIMENSIONS

Width	28	Weight	47.8
Depth	28	Cubic Ft.	13.1
Height	16½		

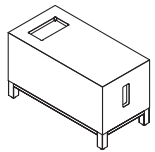
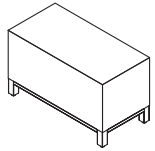
- Power grommet sold separately; reference page 831 for pricing and details
- Optional surface grommet cutout available in G12, G17, and G23 cutout (+30 list)
- Optional side grommet cutout available in G23 cutout (+30 list)

TO ORDER, SPECIFY:

1. Model Number
2. Surface Grommet
3. Side Grommet
4. Wood/Laminate Finish
5. Frame Color

• See page 591 for Swift options

SMALL END TABLE



Optional Surface and Side Grommet Locations

MODEL NO.

LIST PRICE

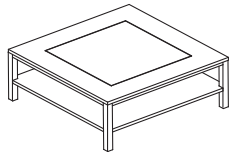
N95PPW	Wood	\$ 1677
N95PPL	Laminate	1556

DIMENSIONS

Width	14	Weight	31.8
Depth	28	Cubic Ft.	7.5
Height	16½		

- Power grommet sold separately; reference page 831 for pricing and details
- Optional surface grommet cutout available in G12, G17, and G23 cutout (+30 list)
- Optional side grommet cutout available in G23 cutout (+30 list)

COFFEE TABLE



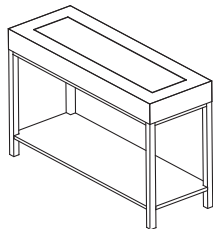
N95RRW	Wood	\$ 2619
N95RRL	Laminate	2500

DIMENSIONS

Width	36	Weight	70
Depth	36	Cubic Ft.	16.8
Height	13¼		

- Power grommet option not available
- Frosted ⅜" thick glass insert

CONSOLE TABLE



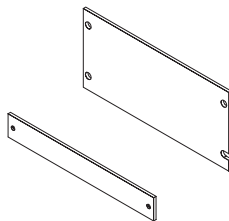
N95SSW	Wood	\$ 2799
N95SSL	Laminate	2677

DIMENSIONS

Width	50	Weight	74.2
Depth	18	Cubic Ft.	26.4
Height	33½		

- Power grommet option not available
- Frosted ⅜" thick glass insert

GANGING BRACKET KIT



N95TR	1 Bracket Kit	\$ 116
-------	---------------	--------

DIMENSIONS

Weight	2
Cubic Ft.	0.05

- Ganging bracket recommended for use in static applications for rigid ganging
- Ganging bracket intended for armless-to-armless or armless-to-table connections
- 1 bracket kit used for each connection

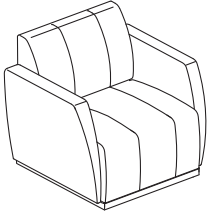
SWIFT

TO ORDER, SPECIFY:

1. Model Number
2. Ganging
3. Fabric Grade Number
4. Cover Number

- See page 591 for Swift options
- See pages 609-611 for COM fabric yardage

1 SEAT LOUNGE VERTICAL TUFT PLINTH BASE



Arms

MODEL NO.

ALLIANCE PROGRAM PRICE GRADES

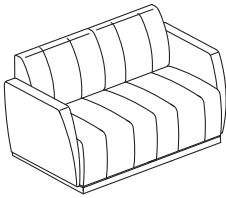
		A	B	C	D	E	F	G	H	I
		J	K	L	M	N	O	P	Q	R
N95AATP	Arms	3427	3645	3817	3995	4193	4404	4576	4794	5011
		5229	5566	6252	6675	6899	7123	7341	7566	7777

DIMENSIONS

Width	32	Seat Width	26½	Arm Height	24¼	Weight	78
Depth	31	Seat Depth	21¾	Back Height	29½	Cubic Ft.	21.7
Height	29½	Seat Height	16¼	Back Width	26½		

- Contrasting fabric option – specify X (i.e., N95AATPX); see page 593. For list pricing, use your electronic specification tool or contact customer service

2 SEAT LOUNGE VERTICAL TUFT PLINTH BASE



Arms

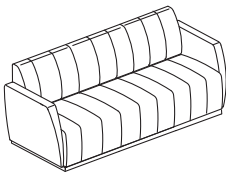
		A	B	C	D	E	F	G	H	I
		J	K	L	M	N	O	P	Q	R
N95BBTP	Arms	4601	4885	5109	5341	5599	5874	6098	6382	6665
		6949	7388	8282	8833	9125	9417	9701	9994	10269

DIMENSIONS

Width	59¼	Seat Width	51½	Arm Height	24¼	Weight	120
Depth	31	Seat Depth	21¾	Back Height	29½	Cubic Ft.	39.8
Height	29½	Seat Height	16¼	Back Width	51½		

- Contrasting fabric option – specify X (i.e., N95BBTPX); see page 593. For list pricing, use your electronic specification tool or contact customer service

3 SEAT LOUNGE VERTICAL TUFT PLINTH BASE



Arms

		A	B	C	D	E	F	G	H	I
		J	K	L	M	N	O	P	Q	R
N95CCTP	Arms	5814	6190	6486	6794	7136	7501	7797	8173	8550
		8926	9507	10693	11422	11810	12198	12574	12961	13326

DIMENSIONS

Width	83	Seat Width	79½	Arm Height	24¼	Weight	155
Depth	31	Seat Depth	21¾	Back Height	29½	Cubic Ft.	56.9
Height	29½	Seat Height	16¼	Back Width	79½		

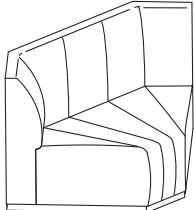
- Contrasting fabric option – specify X (i.e., N95CCTPX); see page 593. For list pricing, use your electronic specification tool or contact customer service

TO ORDER, SPECIFY:

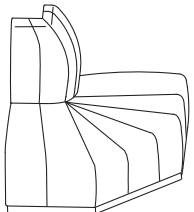
1. Model Number
2. Ganging
3. Fabric Grade Number
4. Cover Number

- See page 591 for Swift options
- See pages 609-611 for COM fabric yardage

**90° CORNER LOUNGE
VERTICAL TUFT
PLINTH BASE**



90° Inside Corner



90° Outside Corner

**MODEL
NO.**

ALLIANCE PROGRAM PRICE GRADES

		A	B	C	D	E	F	G	H	I
		J	K	L	M	N	O	P	Q	R
N95MKTP	Inside Corner	\$ 3697	3866	3998	4136	4289	4452	4585	4753	4921
		5090	5350	5880	6207	6380	6553	6722	6895	7058
N95MKATP	Outside Corner	3649	3787	3897	4010	4136	4270	4380	4518	4657
		4795	5010	5446	5715	5858	6001	6139	6282	6417

DIMENSIONS - INSIDE CORNER

Width	50½	Seat Height	16¼	Weight	56
Depth	30	Back Height	29½	Cubic Ft.	30
Height	29½				

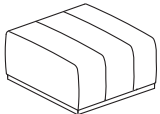
• Contrasting fabric option – specify X (i.e., N95MKATPX); see page 593. For list pricing, use your electronic specification tool or contact customer service

DIMENSIONS - OUTSIDE CORNER

Width	48¾	Seat Height	16¼	Weight	56
Depth	33¾	Back Height	29½	Cubic Ft.	30
Height	29½				

• Contrasting fabric option – specify X (i.e., N95MKATPX); see page 593. For list pricing, use your electronic specification tool or contact customer service

**1 SEAT BENCH
VERTICAL TUFT
PLINTH BASE**



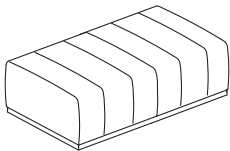
		A	B	C	D	E	F	G	H	I
		J	K	L	M	N	O	P	Q	R
N95DDTP	1 Seat Bench	\$ 1989	2088	2166	2247	2337	2433	2511	2610	2709
		2808	2961	3273	3465	3567	3669	3768	3870	3966

DIMENSIONS

Width	26¼	Weight	35
Depth	30	Cubic Ft.	10.9
Height	16¼		

• Contrasting fabric option – specify X (i.e., N95DDTPX); see page 593. For list pricing, use your electronic specification tool or contact customer service

**2 SEAT BENCH
VERTICAL TUFT
PLINTH BASE**



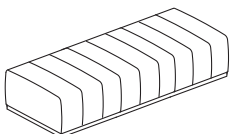
		A	B	C	D	E	F	G	H	I
		J	K	L	M	N	O	P	Q	R
N95EETP	2 Seat Bench	\$ 2749	2887	2997	3110	3236	3370	3480	3618	3757
		3895	4110	4546	4815	4958	5101	5239	5382	5517

DIMENSIONS

Width	51½	Weight	65
Depth	30	Cubic Ft.	21.6
Height	16¼		

• Contrasting fabric option – specify X (i.e., N95EETPX); see page 593. For list pricing, use your electronic specification tool or contact customer service

**3 SEAT BENCH
VERTICAL TUFT
PLINTH BASE**



		A	B	C	D	E	F	G	H	I
		J	K	L	M	N	O	P	Q	R
N95GGTP	3 Seat Bench	\$ 3602	3837	4021	4213	4426	4653	4838	5072	5306
		5541	5903	6641	7096	7337	7578	7813	8054	8281

DIMENSIONS

Width	76	Weight	95
Depth	30	Cubic Ft.	32.3
Height	16¼		

• Contrasting fabric option – specify X (i.e., N95GGTPX); see page 593. For list pricing, use your electronic specification tool or contact customer service

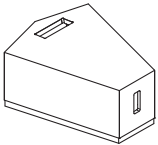
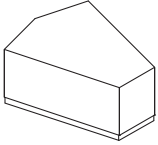
SWIFT

TO ORDER, SPECIFY:

1. Model Number
2. Surface Grommet
3. Side Grommet
4. Ganging
5. Wood/Laminate Finish

• See page 591 for Swift options

30° TABLE PLINTH BASE



MODEL NO.

LIST PRICE

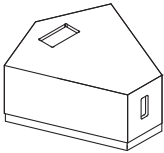
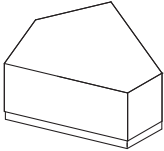
N95KKWP	Wood	\$ 2006
N95KKLP	Laminate	1883

DIMENSIONS

Width	25	Weight	40
Depth	30¼	Cubic Ft.	12.6
Height	16½		

• Optional surface and side grommet locations are available

45° TABLE PLINTH BASE



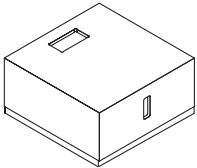
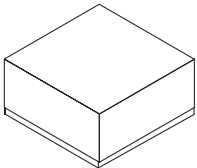
N95LLWP	Wood	\$ 2170
N95LLLP	Laminate	2047

DIMENSIONS

Width	31½	Weight	45.2
Depth	32¼	Cubic Ft.	16.3
Height	16½		

• Optional surface and side grommet locations are available

90° TABLE PLINTH BASE



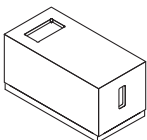
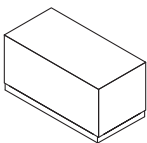
N95NNWP	Wood	\$ 2252
N95NNLP	Laminate	2130

DIMENSIONS

Width	28	Weight	47.8
Depth	28	Cubic Ft.	13.1
Height	16½		

• Optional surface and side grommet locations are available

SMALL END TABLE PLINTH BASE

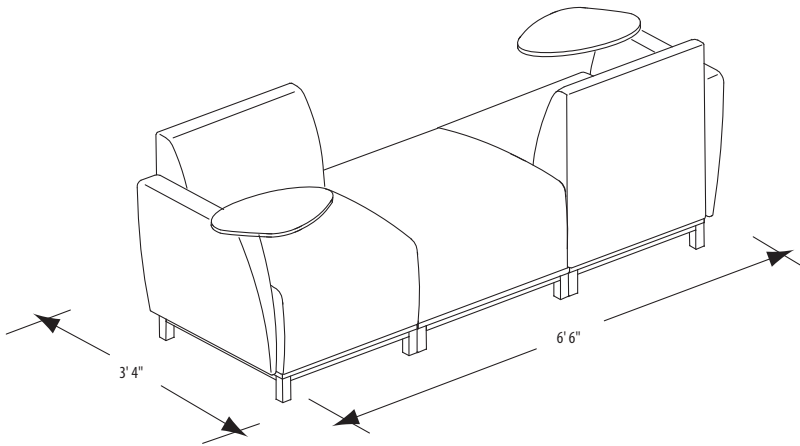


N95PPWP	Wood	\$ 1677
N95PPLP	Laminate	1556

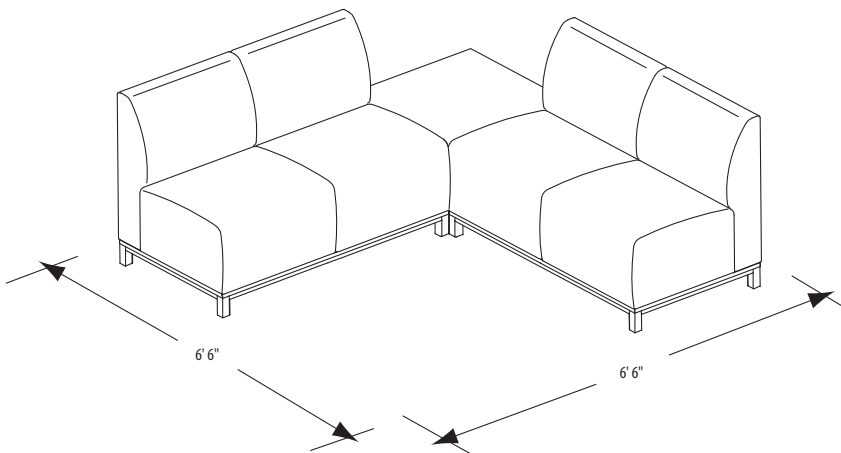
DIMENSIONS

Width	14	Weight	31.8
Depth	28	Cubic Ft.	7.5
Height	16½		

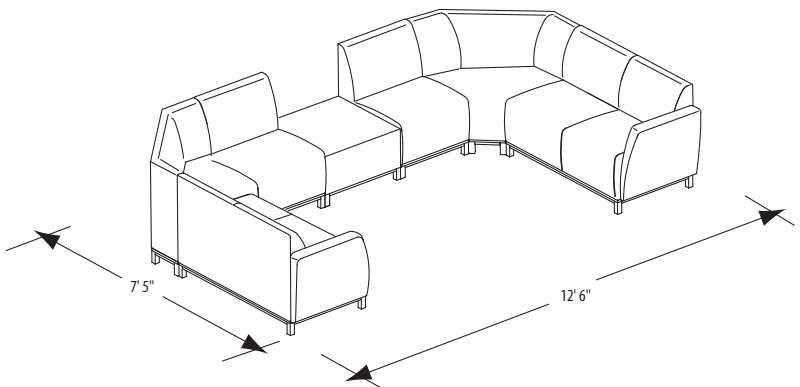
• Optional surface and side grommet locations are available



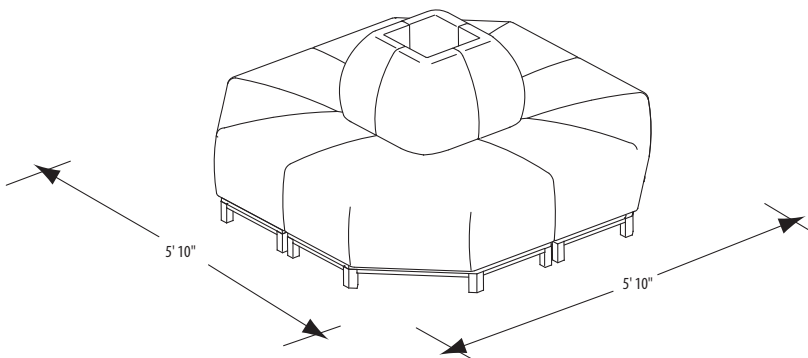
MODEL NO.	QUANTITY	DESCRIPTION	GRADE A LIST PRICE
N95MART	(2)	Tablet Right Arm	\$ 3295 ea
N95DD	(1)	1 Seat Bench	1967
N95TR	(10)	Ganging Bracket Kit	116 ea
Total			\$ 9717



MODEL NO.	QUANTITY	DESCRIPTION	GRADE A LIST PRICE
N95MB	(2)	Armless 2 Seat Lounge	\$ 3681 ea
N95NNW	(1)	90° Table, Wood	2252
N95TR	(10)	Ganging Bracket Kit	116 ea
Total			\$ 10,774



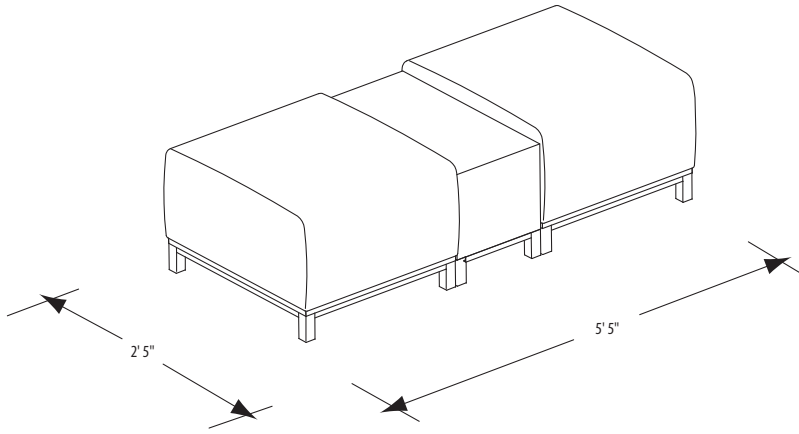
MODEL NO.	QUANTITY	DESCRIPTION	GRADE A LIST PRICE
N95MBR	(1)	2 Seat Right Arm	\$ 4035
N95MK	(2)	90° Inside Corner	3654 ea
N95MA	(2)	1 Seat Armless	2526 ea
N95MBL	(1)	2 Seat Left Arm	4035
N95NNW	(1)	90° Table, Wood	2252
N95TR	(10)	Ganging Bracket Kit	116 ea
Total			\$ 23,842



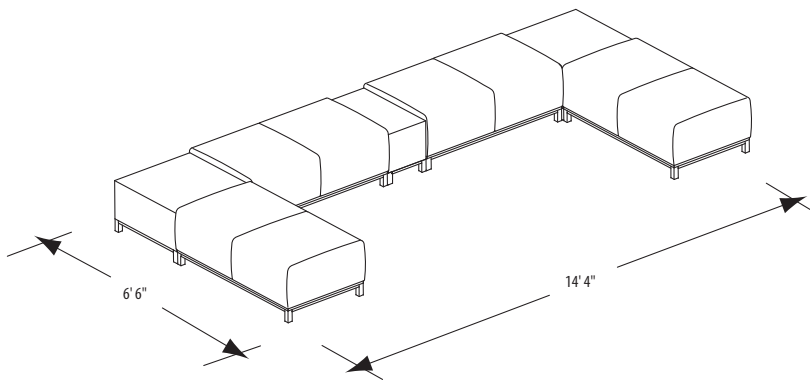
MODEL NO.	QUANTITY	DESCRIPTION	GRADE A LIST PRICE
N95MKA	(4)	90° Outside Corner	\$ 3589 ea
N95TR	(10)	Ganging Bracket Kit	116 ea
Total			\$ 15,516

SWIFT

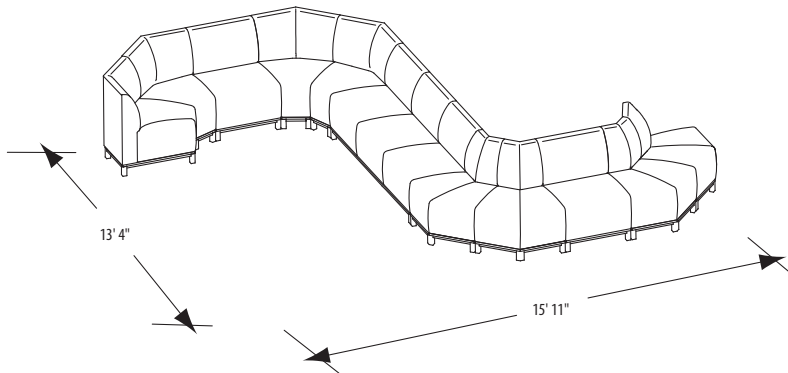
SWIFT



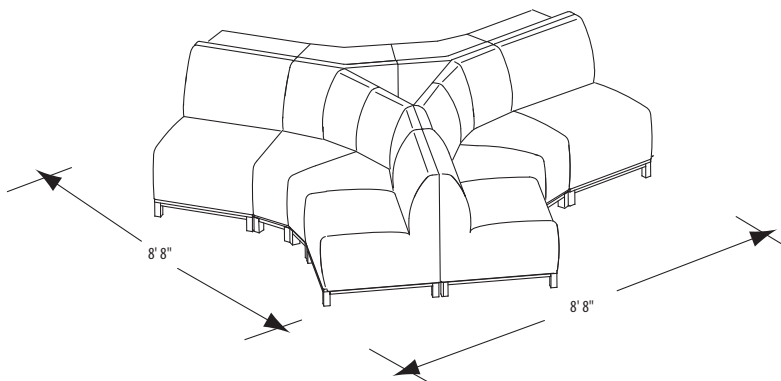
MODEL NO.	QUANTITY	DESCRIPTION	GRADE A LIST PRICE
N95DD	(2)	1 Seat Bench	\$ 1967 ea
N95PPW	(1)	Small End Table, Wood	1677
N95TR	(10)	Ganging Bracket Kit	116 ea
Total			\$ 6771



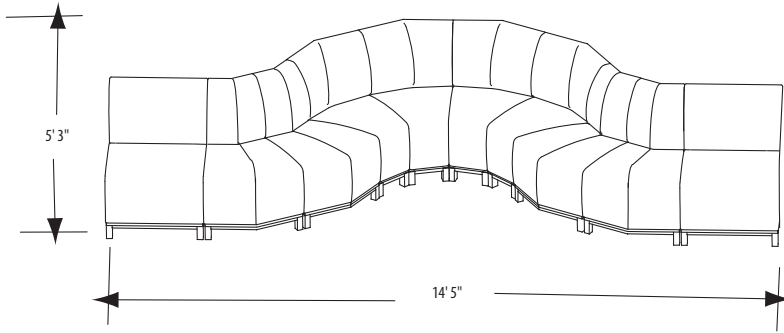
MODEL NO.	QUANTITY	DESCRIPTION	GRADE A LIST PRICE
N95EE	(4)	2 Seat Bench	\$ 2706 ea
N95NNW	(2)	90° Table, Wood	2252 ea
N95PPW	(1)	Small End Table, Wood	1677
N95TR	(10)	Ganging Bracket Kit	116 ea
Total			\$ 18,165



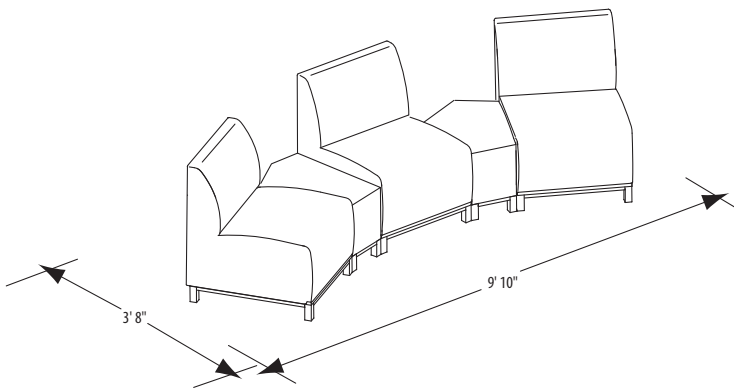
MODEL NO.	QUANTITY	DESCRIPTION	GRADE A LIST PRICE
N95MJ	(4)	45° Inside Corner	\$ 2812 ea
N95MJA	(4)	45° Outside Corner	2791 ea
N95MA	(2)	1 Seat Armless	2526 ea
N95MC	(1)	3 Seat Armless	4849
N95TR	(10)	Ganging Bracket Kit	116 ea
Total			\$ 33,473



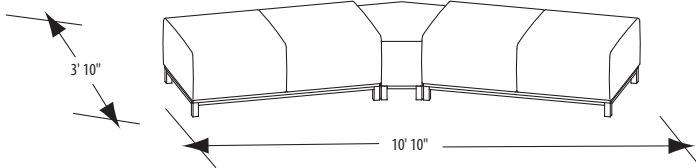
MODEL NO.	QUANTITY	DESCRIPTION	GRADE A LIST PRICE
N95MA	(6)	1 Seat Armless	\$ 2526 ea
N95MH	(6)	30° Inside Corner	2417 ea
N95TR	(10)	Ganging Bracket Kit	116 ea
Total			\$ 30,818



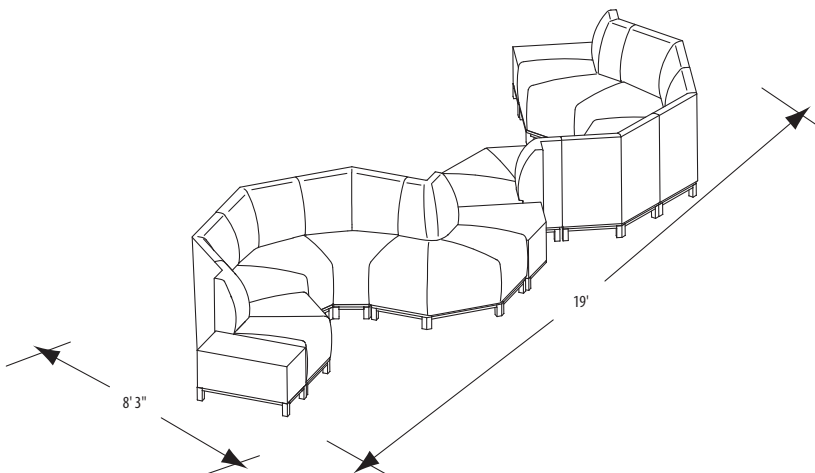
MODEL NO.	QUANTITY	DESCRIPTION	GRADE A LIST PRICE
N95MA	(2)	1 Seat Armless	\$ 2526 ea
N95MHA	(4)	30° Outside Corner	2407 ea
N95MH	(4)	30° Inside Corner	2417 ea
N95TR	(10)	Ganging Bracket Kit	116 ea
Total			\$ 25,508



MODEL NO.	QUANTITY	DESCRIPTION	GRADE A LIST PRICE
N95MA	(3)	1 Seat Armless	\$ 2526 ea
N95KKW	(2)	30° Corner Table	2006 ea
N95TR	(10)	Ganging Bracket Kit	116 ea
Total			\$ 12,750

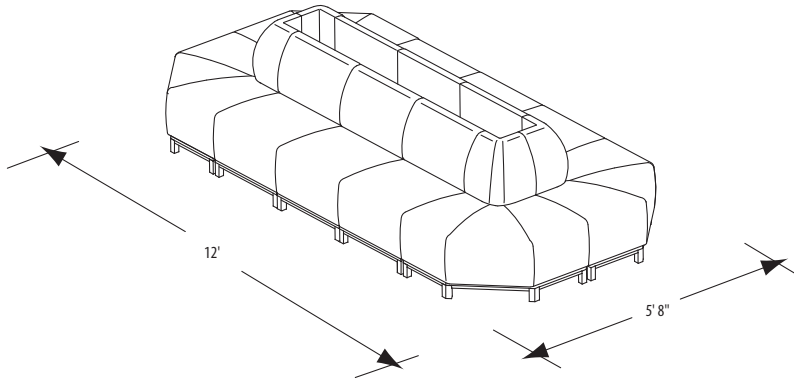


MODEL NO.	QUANTITY	DESCRIPTION	GRADE A LIST PRICE
N95EE	(2)	2 Seat Bench	\$ 2706 ea
N95KKW	(1)	30° Corner Table	2006
N95TR	(10)	Ganging Bracket Kit	116 ea
Total			\$ 8578

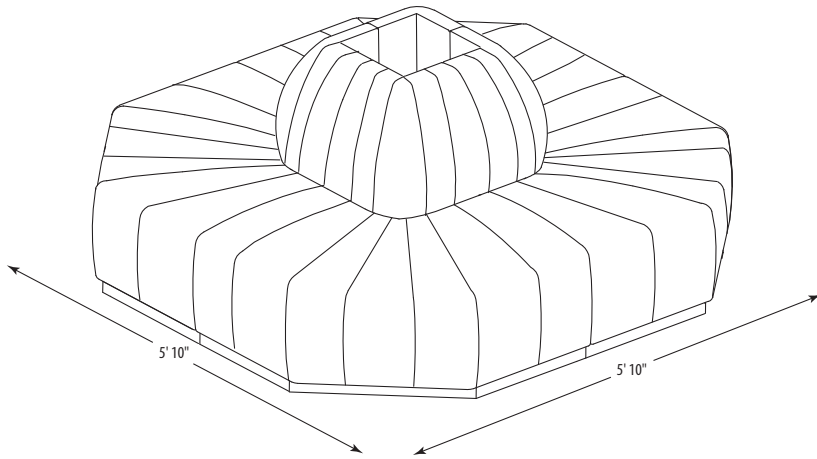


MODEL NO.	QUANTITY	DESCRIPTION	GRADE A LIST PRICE
N95PPW	(2)	Small End Table, Wood	\$ 1677 ea
N95MJA	(2)	45° Outside Corner Unit	2791 ea
N95MJ	(6)	45° Inside Corner Unit	2812 ea
N95MKA	(2)	90° Outside Corner Unit	3589 ea
N95KKW	(1)	30° Corner Table	2006
N95TR	(20)	Ganging Bracket Kit	116 ea
Total			\$ 37,312

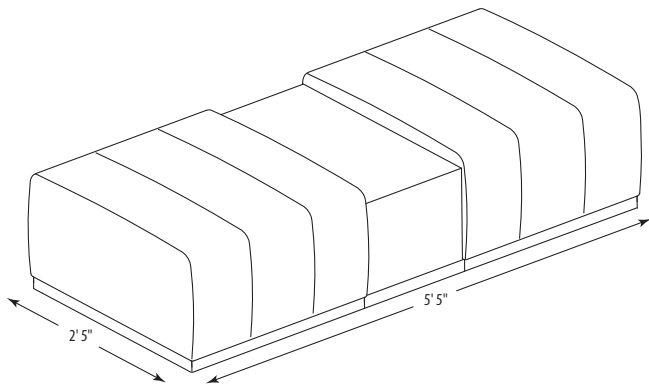
SWIFT



MODEL NO.	QUANTITY	DESCRIPTION	GRADE A LIST PRICE
N95MKA	(4)	90° Outside Corner Unit	\$ 3589 ea
N95MA	(6)	1 Seat Armless	2526 ea
N95TR	(20)	Ganging Bracket Kit	116 ea
Total			\$ 31,832



MODEL NO.	QUANTITY	DESCRIPTION	GRADE A LIST PRICE
N95MKATP	(4)	90° Outside Corner (Price includes Vertical Plinth Base Ganging Left and Right (LR) Option \$126 each)	\$ 3775 ea
Total			\$ 15,100



MODEL NO.	QUANTITY	DESCRIPTION	GRADE A LIST PRICE
N95DDTP	(2)	One Seat Bench Vertical Stitch Plinth Base (Price includes Ganging Left (L) and Ganging Right (R) Options +\$63 each)	\$ 2052 ea
N95PPWP	(1)	Small End Table Plinth Base, Wood (Price includes Ganging Left and Right (LR) Option \$126)	1803
Total			\$ 5907

COM YARDAGE REQUIREMENTS

COM YARDAGE REQUIREMENTS (54" WIDTH – CUT UP THE ROLL)

MODEL	RAILROADED Contact customer service 800-634-9510 for ydg requirements	NON DIRECTIONAL OR SOLID	1"-4" REPEAT	5"-11" REPEAT	12"-18" REPEAT	COL SQUARE FEET
			4" VERTICAL X 4" HORIZONTAL	11" VERTICAL X 11" HORIZONTAL	18" VERTICAL X 18" HORIZONTAL	
N95AA, N95AAC, N95AAL, N95AALC, N95AAR, N95AARC		5.80	7.00	8.40	9.50	116
N95AATP	Complete	6.90	8.00	9.90	10.60	136
N95AAX, N95AACX, N95AALX, N95AALCX, N95AARX, N95AARCX	Back	0.90	1.00	1.10	1.00	8
	Extreme	1.00	1.00	1.20	1.10	9
	Back Accent	1.00	1.00	1.20	1.10	6
	Seat	1.30	1.40	1.80	1.70	12
	Seat Accent	1.00	1.00	1.20	1.30	17
	Arm	2.50	2.80	3.80	4.00	48
N95AATPX	Back	1.20	1.20	1.50	2.10	23
	Extreme	1.00	1.00	1.20	1.10	9
	Back Accent	1.00	1.00	1.20	1.80	11
	Seat	1.70	1.80	2.10	2.30	33.50
	Seat Accent	1.00	1.30	1.50	1.80	19
	Arm	2.50	3.20	4.50	4.30	48.50
N95BB, N95BBB, N95BBL, N95BBR		7.00	10.60	12.70	13.90	140
N95BBTP	Complete	10.40	11.60	13.90	14.10	205
N95BBX, N95BBBX, N95BBLX, N95BBRX	Back	1.40	1.70	2.00	2.00	26
	Extreme	1.80	1.90	2.10	2.10	34
	Back Accent	1.00	1.00	1.20	1.10	6
	Seat	1.90	3.40	4.00	4.30	35
	Seat Accent	1.00	1.00	1.20	1.30	17
	Arm	2.50	2.80	3.80	4.00	48
N95BBTPX	Back	2.20	2.30	2.70	3.60	44
	Extreme	1.80	1.90	2.10	2.10	34
	Back Accent	1.00	1.00	1.20	1.80	11
	Seat	3.30	3.50	3.90	4.30	65
	Seat Accent	1.00	1.30	1.50	1.80	19
	Arm	2.50	3.20	4.50	4.30	48.50
N95CC, N95CCB, N95CCL, N95CCR		9.00	14.10	16.30	18.40	179
N95CCTP	Complete	13.80	15.10	17.90	18.10	273
N95CCTPX	Back	3.30	3.50	3.90	5.10	64.50
	Extreme	2.60	2.80	3.00	3.00	50.50
	Back Accent	1.00	1.00	1.20	1.80	11
	Seat	4.90	5.20	5.70	6.30	96.50
	Seat Accent	1.00	1.30	1.50	1.80	19
	Arm	2.50	3.20	4.50	4.30	48.50
N95CCX, N95CCBX, N95CCLX, N95CCRX	Back	1.70	2.50	3.00	3.00	31
	Extreme	2.60	2.80	3.00	3.00	50.50
	Back Accent	1.00	1.00	1.20	1.10	6
	Seat	3.00	5.30	6.10	6.80	58
	Seat Accent	1.00	1.20	1.20	1.30	17
	Arm	2.50	2.80	3.80	4.00	48
N95DD, N95DDC		2.60	2.90	3.20	3.50	52
N95DDX, N95DDCX	Seat	1.70	1.80	1.80	1.90	22.50
	Seat Accent	1.00	1.00	1.30	1.40	18
N95EE		3.40	5.50	6.20	6.50	68
N95EEX	Seat	2.60	4.50	4.90	5.40	49.25
	Seat Accent	1.00	1.00	1.30	1.40	18
N95GG		5.90	8.00	9.30	9.50	118
N95GGX	Seat	5.00	7.00	8.00	8.40	98
	Seat Accent	1.00	1.00	1.30	1.40	18
N95MA, N95MAC		3.20	4.30	5.00	5.40	64
N95MAL, N95MALT, N95MAR, N95MART		4.20	5.70	6.60	7.40	84

SWIFT

COM YARDAGE REQUIREMENTS

COM YARDAGE REQUIREMENTS (54" WIDTH – CUT UP THE ROLL)

MODEL	RAILROADED Contact customer service 800-634-9510 for ydg requirements	NON DIRECTIONAL OR SOLID	1"-4" REPEAT	5"-11" REPEAT	12"-18" REPEAT	COL SQUARE FEET
			4" VERTICAL X 4" HORIZONTAL	11" VERTICAL X 11" HORIZONTAL	18" VERTICAL X 18" HORIZONTAL	
N95MALX, N95MALT N95MARX, N95MARTX	Back	0.90	1.00	1.10	1.00	8
	Extreme	1.00	1.00	1.20	1.10	9
	Back Accent	1.00	1.00	1.20	1.10	6
	Seat	1.30	1.40	1.80	1.70	12
	Seat Accent	1.00	1.00	1.20	1.30	17
	Arm	1.50	1.50	2.00	2.00	27
N95MAX, N95MACX	Back	0.90	1.00	1.10	1.00	8
	Extreme	1.00	1.00	1.20	1.10	9
	Back Accent	1.00	1.00	1.20	1.10	6
	Seat	1.30	1.40	1.80	1.70	12
	Seat Accent	1.00	1.00	1.20	1.30	17
N95MB		5.10	7.90	9.30	9.90	102
N95MBL, N95MBLT, N95MBR, N95MBRT		6.10	9.20	10.50	11.90	122
N95MBLX, N95MBLT N95MBRX, N95MBRTX	Back	1.40	1.70	2.00	2.00	26
	Extreme	1.80	1.90	2.10	2.10	34
	Back Accent	1.00	1.00	1.20	1.10	6
	Seat	1.90	3.40	4.00	4.30	35
	Seat Accent	1.00	1.00	1.20	1.30	17
	Arm	1.50	1.50	2.00	2.00	27
N95MBX	Back	1.40	1.70	2.00	2.00	26
	Extreme	1.80	1.90	2.10	2.10	34
	Back Accent	1.00	1.00	1.20	1.10	6
	Seat	1.90	3.40	4.00	4.30	35
	Seat Accent	1.00	1.00	1.20	1.30	17
N95MC		7.10	11.40	13.00	14.40	142
N95MCL, N95MCLT, N95MCR, N95MCRT		8.10	12.80	14.50	16.40	162
N95MCLX, N95MCLT N95MCRX, N95MCRTX	Back	1.70	2.50	3.00	3.00	31
	Extreme	2.60	2.80	3.00	3.00	50.50
	Back Accent	1.00	1.00	1.20	1.10	6
	Seat	3.00	5.30	6.10	6.80	58
	Seat Accent	1.00	1.00	1.20	1.30	17
	Arm	1.50	1.50	2.00	2.00	27
N95MCX	Back	1.70	2.50	3.00	3.00	31
	Extreme	2.60	2.80	3.00	3.00	50.50
	Back Accent	1.00	1.00	1.20	1.10	6
	Seat	3.00	5.30	6.10	6.80	58
	Seat Accent	1.00	1.00	1.20	1.30	17
N95MH		2.60	3.30	4.10	5.00	52
N95MHX	Back	0.90	1.00	1.10	1.00	17
	Extreme	1.00	1.00	1.20	1.10	10.50
	Back Accent	1.00	1.00	1.20	1.10	6
	Seat	1.40	1.40	1.70	1.80	26.50
	Seat Accent	1.00	1.00	1.20	1.30	17
N95MHA		2.60	3.40	4.10	4.40	52
N95MHAX	Back	0.90	1.00	1.10	1.00	17
	Extreme	1.00	1.00	1.20	1.10	10.50
	Back Accent	1.00	1.00	1.20	1.10	6
	Seat	1.50	1.60	1.70	1.80	28
	Seat Accent	1.00	1.00	1.20	1.30	17
N95MJ		3.30	3.70	5.00	5.20	66
N95MJX	Back	1.00	1.00	1.20	1.00	17
	Extreme	1.00	1.00	1.20	1.10	12.50
	Back Accent	1.00	1.00	1.20	1.10	6
	Seat	1.50	1.60	1.70	1.80	29
	Seat Accent	1.00	1.00	1.20	1.30	17
N95MJA		2.50	3.30	3.70	4.40	50

COM YARDAGE REQUIREMENTS

COM YARDAGE REQUIREMENTS (54" WIDTH – CUT UP THE ROLL)

MODEL	RAILROADED Contact customer service 800-634-9510 for ydg requirements	NON DIRECTIONAL OR SOLID	1"-4" REPEAT	5"-11" REPEAT	12"-18" REPEAT	COL SQUARE FEET
			4" VERTICAL X 4" HORIZONTAL	11" VERTICAL X 11" HORIZONTAL	18" VERTICAL X 18" HORIZONTAL	
N95MJAX	Back	0.90	0.90	1.10	1.00	15
	Extreme	1.00	1.00	1.20	1.10	4.50
	Back Accent	1.00	1.00	1.20	1.10	6
	Seat	1.50	1.60	1.70	3.30	28
	Seat Accent	1.00	1.00	1.20	1.30	17
N95MK		4.10	4.40	6.60	7.10	82
N95MKX	Back	1.70	1.70	2.00	2.00	31
	Extreme	1.80	1.90	2.10	2.10	34
	Back Accent	1.00	1.00	1.20	1.10	6
	Seat	1.40	1.50	1.70	1.80	26.50
	Seat Accent	1.00	1.00	1.20	1.30	17
N95MKA		3.40	3.70	4.60	6.00	68
N95MKAX	Back	0.90	1.00	1.10	1.00	15
	Extreme	1.00	1.00	1.20	1.10	6
	Back Accent	1.00	1.00	1.20	1.30	17
	Seat	2.00	2.20	2.60	4.70	39
	Seat Accent	1.00	1.00	1.20	1.30	17
N95MKATP	Complete	8.90	9.30	11.20	11.80	176
N95MKATPX	Back	3.30	3.50	3.90	5.10	64.50
	Extreme	1.00	1.00	1.20	1.10	6
	Back Accent	1.00	1.00	1.20	1.30	17
	Seat	4.90	5.20	5.70	6.30	96.50
	Seat Accent	1.00	1.00	1.20	1.30	17
N95MKTP	Complete	6.80	7.40	8.80	10.10	134
N95MKTPX	Back	3.80	4.00	5.00	5.10	75
	Extreme	1.80	1.90	2.10	2.10	34
	Back Accent	1.00	1.00	1.20	1.10	6
	Seat	2.70	2.80	3.00	3.60	53.50
	Seat Accent	1.00	1.00	1.20	1.30	17
N95DDTP	Complete	3.50	3.75	4.00	4.25	69.50
N95DDTPX	Seat	2.50	2.50	2.75	3.20	49.50
	Seat Accent	1.20	1.25	1.50	2.25	22.50
N95EETP	Complete	5.90	6.00	6.40	6.70	116.25
N95EETPX	Seat	4.90	5.00	5.20	5.70	96.30
	Seat Accent	1.20	1.25	1.50	2.25	22.50
N95GGTP	Complete	8.20	8.50	8.90	9.20	163.50
N95GGTPX	Seat	7.20	7.50	7.60	8.20	143.50
	Seat Accent	1.20	1.25	1.50	2.25	22.50

