
Shore

Product Specifications	540
Fabrics and Options	541
Contrasting Fabrics Specifications	542
Product Pages	543
COM Yardage Requirements	544

SHORE

SHORE PRODUCT SPECIFICATIONS

SEAT CONSTRUCTION

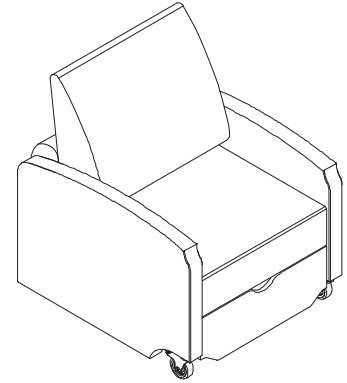
- Enclosed mechanism
- Integrated handle
- Locking, directional, front casters
- Moisture barrier is available on the seat and inside back; upcharge applies
- 80" sleep surface

ARMS

- Arm caps are available in beech wood, polyurethane, 3D laminate, or solid surface. EOS^{CU} (Cupron-enhanced EOS) biocidal solid surface arm caps are optional on solid surface arm cap model; upcharge applies

CONTRASTING FABRICS

- Contrasting fabric may be specified on back, seat, and arms/frame fabric



SURFACE MATERIALS

See the Kimball Hospitality Surface Materials Reference Guide at kimballhospitality.com for a complete overview of our materials program, including:

- Characteristics of wood
- Special wood finishes
- Customer specified laminate (CSL)
- Customer specified paint (CSP)
- Fabric application and colorways
- Customer's own material (COM) process overview
- Alliance program

ALLIANCE FABRIC PROGRAM

Kimball Hospitality has analyzed each model to most accurately reflect the COM/COL yardage requirements shown on page 544.

The yardage requirement for each model is based on 54" wide fabric and cutting the fabric up the roll.

If repeat is larger than 18", contact Customer Service to confirm the correct amount of yardage required. When ordering 10 or more chairs in the same COM, yardage requirements may be reduced.

Contact Customer Service.

PRICE GRADES A-R

See Surface Materials at www.kimballhospitality.com for a wide variety of graded-in fabrics from Arc-Com, CF Stinson, Designtex, Maharam, Momentum, and Ultrafabrics.

FABRIC SAMPLES

If you need samples for presentation(s), contact our alliance partners directly at:

Arc-Com	800.223.5466	arc-com.com
Designtex	800.221.1540	designtex.com
CF Stinson	800.841.6279	cfstinson.com
Maharam	800.645.3943	maharam.com
Momentum	800.366.6839	memosamples.com
Ultrafabrics	877.309.6648	ultrafabricsllc.com

ARM CAPS

3D LAMINATE

WOODGRAIN

MC	Amber Cherry
MH	Mocha Cherry
CO	Canyon Straight Grain
DF	Driftwood Straight Grain
YO	Monterey Straight Grain
NW	Tuscan Straight Grain

POLYURETHANE

495	Beige
462	Cinder
496	Grey

SOLID SURFACE

STANDARD

405	Designer White
-----	----------------

PREMIUM*

495	EOS ^{CU} Beige
496	EOS ^{CU} Grey

*\$704 Upcharge applies

WOOD

AD	Almond	MH	Mocha
MC	Amber	YO	Monterey
IM	Brighton	PB	Portobello
CO	Canyon	792	Sable
CC	Cordoba	SC	Sedona
DF	Driftwood	TW	Tribeca
ES	Espresso	NW	Tuscan
TM	Huntington	UW	Urban
MW	Midtown		

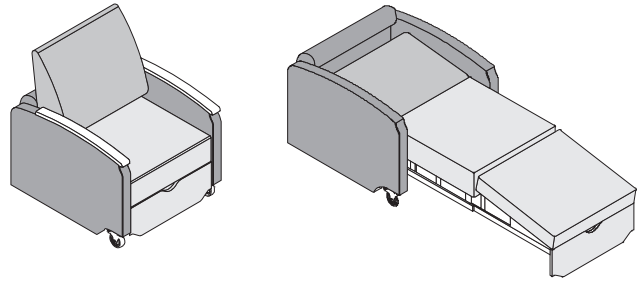
MOISTURE BARRIER

X	None
MB2	Seat and inside back (\$213 upcharge)

TO ORDER CONTRASTING FABRIC, SPECIFY

SHORE Sleepers page 543

1. Model Number plus "X"
2. Back Fabric Grade
3. Back Fabric Number
4. Seat Fabric Grade
5. Seat Fabric number
6. Arms/Frame (Primary) Fabric Grade
7. Arms/Frame (Primary) Fabric Number
8. Arm Cap Designator (if applicable)
9. Moisture Barrier Optional for Seat and Inside Back



Contrasting fabric may be specified on back, seat, and arms/frame

TO ORDER, SPECIFY:

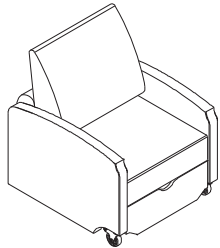
1. Model Number
2. Back Fabric Grade
3. Back Fabric Number
4. Seat Fabric Grade
5. Seat Fabric number
6. Arms/Frame (Primary) Fabric Grade
7. Arms/Frame (Primary) Fabric Number
8. Arm Cap Designator (if applicable)
9. Moisture Barrier Optional for Seat and Inside Back

- See page 541 for Shore options
- See page 544 for COM fabric yardage

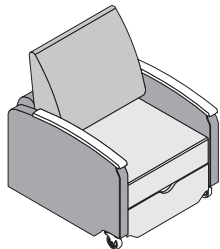
SLEEPER

MODEL NO.

ALLIANCE PROGRAM PRICE GRADES



No Arm Caps



Arm Caps

		A	B	C	D	E	F	G	H	I
		J	K	L	M	N	O	P	Q	R
K69S1	No Arm Caps	\$ 4761	4915	5036	5157	5282	5436	5524	5689	5828
		5971	6202	6664	6954	7016	7071	7141	7214	7533
K69S1ACP	Polyurethane Arm Caps	4881	5035	5156	5277	5402	5556	5644	5809	5948
		6091	6322	6784	7074	7136	7191	7261	7334	7653
K69S1ACW	Wood Arm Caps	5004	5158	5279	5400	5525	5679	5767	5932	6071
		6214	6445	6907	7197	7259	7314	7384	7457	7776
K69S1ACT	3D Laminate Arm Caps	5107	5261	5382	5503	5628	5782	5870	6035	6174
		6317	6548	7010	7300	7362	7417	7487	7560	7879
K69S1ACS	Solid Surface Arm Caps	5769	5923	6044	6165	6290	6444	6532	6697	6836
		6979	7210	7672	7962	8024	8079	8149	8222	8541

DIMENSIONS

Width	34	Seat Height	17	Arm Height		Weight	195
Depth	38	Seat Depth	21	without Arm Caps	28	Cubic Ft.	49.30
Height	41	Seat Width	27½	with Arm Caps	28¾		
				Arm Extended	68		

- Contrasting fabric option – specify X (i.e., K69S1X); see page 542. For list pricing, use your electronic specification tool or contact customer service
- Enclosed mechanism
- Integrated handle
- Locking, directional, front casters
- Arm caps, if applicable: polyurethane, beech wood, 3D laminate, or solid surface
- 80" sleep surface

COM YARDAGE REQUIREMENTS

COM YARDAGE REQUIREMENTS (54" WIDTH – CUT UP THE ROLL)

MODEL	RAILROADED Contact customer service 800-634-9510 for ydg requirements	NON DIRECTIONAL OR SOLID	1"-4" REPEAT	5"-11" REPEAT	12"-18" REPEAT	COL SQUARE FEET
			4" VERTICAL X 4" HORIZONTAL	11" VERTICAL X 11" HORIZONTAL	18" VERTICAL X 18" HORIZONTAL	
K69S1, K69S1ACP,	Entire Unit	8.00	9.20	9.60	10.40	144
K69S1ACW, K69S1ACT,	Back	1.50	1.70	1.80	2.00	27
K69S1ACS	Seat	2.80	3.20	3.40	3.60	51
	Arms/Frame	4.30	4.90	5.20	5.60	77