
Meadow

| | |
|------------------------------------|-----|
| Product Specifications | 446 |
| Fabrics and Options | 449 |
| Contrasting Fabrics Specifications | 450 |
| Product Pages | 452 |
| COM Yardage Requirements | 460 |

MEADOW PRODUCT SPECIFICATIONS

3-POSITION RECLINER

- Features a durable 3-position mechanism which reclines to 124 degrees

CONSTRUCTION

- Optional push bar with a platinum metallic finish helps caregivers reposition the chair
- Optional bump guard is a protective plastic welt cord
- Contoured back offers supportive, patient comfort
- Moisture barrier is optional for seat. Upcharge applies

ARMS

- Arm caps are available in polyurethane, 3D laminate, finished beech wood, and solid surface
- EOS^{CU} (Cupron-enhanced EOS) biocidal solid surface arm caps are optional on solid surface arm cap model; upcharge applies
- Model without arm caps is also available

FOOTRESTS

- Footrest features a removable upholstery cover

CASTERS

- Front casters are locking
- Rear casters are non-locking

FOLD-DOWN TRAYS

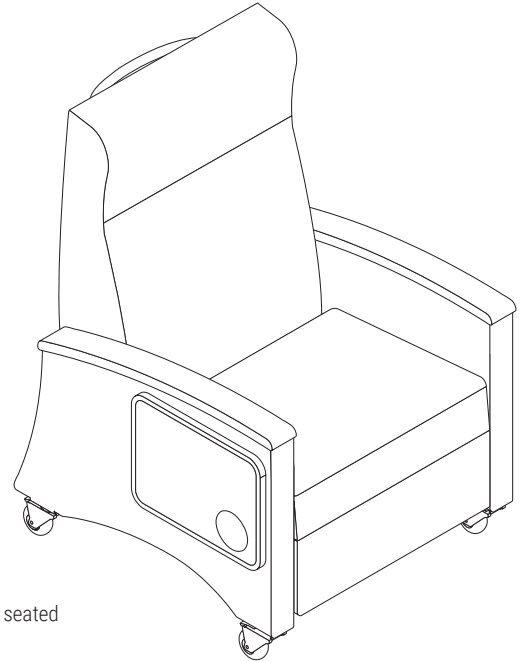
- Models with fold-down tray are available; tray can be specified for the left or right side of the recliner as seated
- Tray is 16" D x 12" W as seated; adds 2¾" to width in stored/down position

UTILITY HOOK

- Utility bag hook is available on the left side of the recliner as seated; upcharge applies

CONTRASTING FABRICS

- Contrasting fabric may be specified on back, seat, and arms/frame



PATIENT RECLINER

CONSTRUCTION

- Optional push bar with a platinum metallic finish helps caregivers reposition the chair
- Contoured back offers supportive, patient comfort
- Optional bump guard is a protective plastic welt cord
- Heated seat is available as an option
- Heating element complies with UL 60601-1; works with 110 V outlet
- Infinite back lock allows locking the back into various positions in 1 degree increments
- Moisture barrier is optional for seat. Upcharge applies

ARMS

- Arm caps are available in polyurethane, 3D laminate, finished beech wood, and solid surface
- EOS^{CU} (Cupron-enhanced EOS) biocidal solid surface arm caps are optional on solid surface arm cap model; upcharge applies
- Model without arm caps is also available

FOOTRESTS

- Footrest features a removable upholstery cover
- Optional pull-out footrest allows for patient to ingress and egress more easily
- Footrest also can be used for comfort when recliner is in the seated position
- Footrest lever allows footrest to be extended independently of the back operation

CASTERS

- Grey, non-marking casters work on both hard and soft surfaces
- Individual-locking, single-wheel casters are standard (not shown); central-locking, dual-wheel casters are optional (shown)
- Optional central-locking casters with brake are controlled from a foot pedal on the left side of the recliner

FOLD-DOWN TRAYS

- Models with fold-down tray on the left side of the recliner (as seated) are available
- Tray is 16" D x 12" W as seated; adds 2¾" to width in stored/down position

UTILITY HOOK

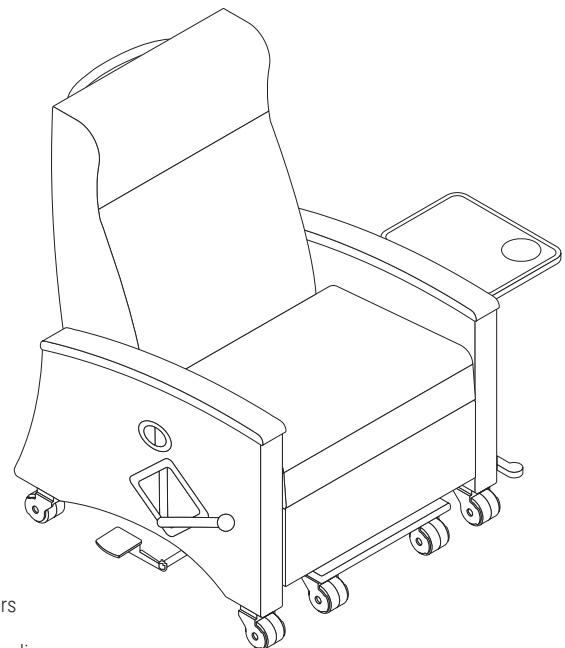
- Utility bag hook is available on the left side of the recliner as seated; upcharge applies

TRENDELENBURG

- Trendelenburg option allows feet to be higher than head; paddles are located on both sides of the recliner

CONTRASTING FABRICS

- Contrasting fabric may be specified on back, seat, and arms/frame



MEADOW PRODUCT SPECIFICATIONS

DROP-ARM RECLINER

- Drop arm recliner is designed to allow caregivers easier access to move a patient from bed to chair

CONSTRUCTION

- Optional push bar with a platinum metallic finish helps caregivers reposition the chair
- Contoured back offers supportive, patient comfort
- Optional bump guard is a protective plastic welt cord
- Heated seat is available as an option
- Heating element complies with UL 60601-1; works with 110 V outlet
- Infinite back lock allows locking the back into various positions in 1 degree increments
- Moisture barrier is optional for seat. Upcharge applies

ARMS

- Arm caps are available in polyurethane, 3D laminate, finished beech wood, and solid surface
- EOS^{CU} (Cupron-enhanced EOS) biocidal solid surface arm caps are optional on solid surface arm cap model; upcharge applies
- Model without arm caps is also available
- Drop arm eases lateral patient transfer
- Arm is shown in the "up" position (top figure)
- Drop arm is shown in the "down" position (bottom figure)
- Pull-out knob on the back of the drop-arm unlocks the drop arm (bottom figure)

FOOTRESTS

- Footrest features a removable upholstery cover
- Optional pull-out footrest allows for patient to ingress and egress more easily
- Footrest also can be used for comfort when recliner is in the seated position
- Footrest lever allows footrest to be extended independently of the back operation

CASTERS

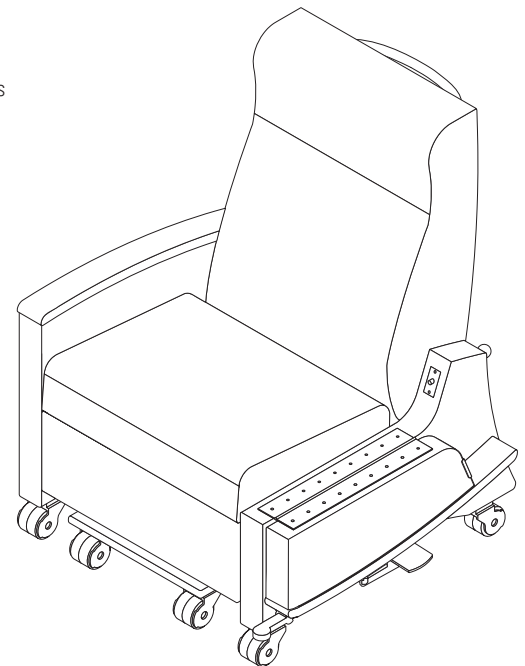
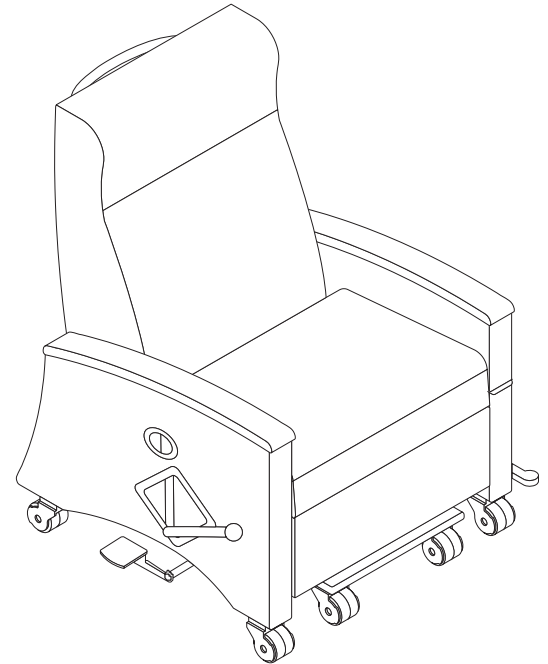
- Grey, non-marking casters work on both hard and soft surfaces
- Individual-locking, single-wheel casters are standard (not shown); central-locking, dual-wheel casters are optional (shown)
- Optional central-locking casters with brake are controlled from a foot pedal on the left side of the recliner

TRENDELENBURG

- Trendelenburg option allows feet to be higher than head; paddles are located on both sides of the recliner

CONTRASTING FABRICS

- Contrasting fabric may be specified on back, seat, and arms/frame



MEADOW PRODUCT SPECIFICATIONS

BARIATRIC RECLINER

- Bariatric recliner provides a generous seat width for patient comfort

CONSTRUCTION

- Optional push bar with a platinum metallic finish helps caregivers reposition the chair
- Optional bump guard is a protective plastic welt cord
- Contoured back offers supportive, patient comfort
- Heated seat is available as an option
- Heating element complies with UL 60601-1; works with 110 V outlet
- Infinite back lock allows locking the back into various positions in 1 degree increments
- Moisture barrier is optional for seat. Upcharge applies

ARMS

- Arm caps are available in polyurethane, 3D laminate, finished beech wood, and solid surface
- EOS^{CU} (Cupron-enhanced EOS) biocidal solid surface arm caps are optional on solid surface arm cap model; upcharge applies
- Model without arm caps is also available

FOOTRESTS

- Footrest features a removable upholstery cover
- Optional pull-out footrest allows for patient to ingress and egress more easily
- Footrest also can be used for comfort when recliner is in the seated position
- Footrest lever allows footrest to be extended independently of the back operation

CASTERS

- Grey, non-marking casters work on both hard and soft surfaces
- Individual-locking, single-wheel casters are standard (not shown); central-locking, dual-wheel casters are optional (shown)
- Optional central-locking casters with brake are controlled from a foot pedal on the left side of the recliner

FOLD-DOWN TRAYS

- Models with fold-down tray on the left side of the recliner (as seated) are available
- Tray is 12" D x 16" W

UTILITY HOOK

- Utility bag hook is available on the left side of the recliner as seated; upcharge applies

CONTRASTING FABRICS

- Contrasting fabric may be specified on back, seat, and arms/frame

GLIDER RECLINER

- Glider recliner can be adjusted to the ideal position for comfort, from smooth glide capabilities to a reclining, 160 degree position

CONSTRUCTION

- Contoured back offers supportive, patient comfort
- Optional bump guard is a protective plastic welt cord
- Infinite back lock allows locking the back into various positions in 1 degree increments
- Button is conveniently located inside the right arm panel for easy adjustment
- Moisture barrier is optional for seat. Upcharge applies

ARMS

- Arm caps are available in polyurethane, 3D laminate, finished beech wood, and solid surface
- EOS^{CU} (Cupron-enhanced EOS) biocidal solid surface arm caps are optional on solid surface arm cap model; upcharge applies
- Model without arm caps is also available

GLIDER

- Glider locking lever is located on the left side of the recliner as seated

FOOTRESTS

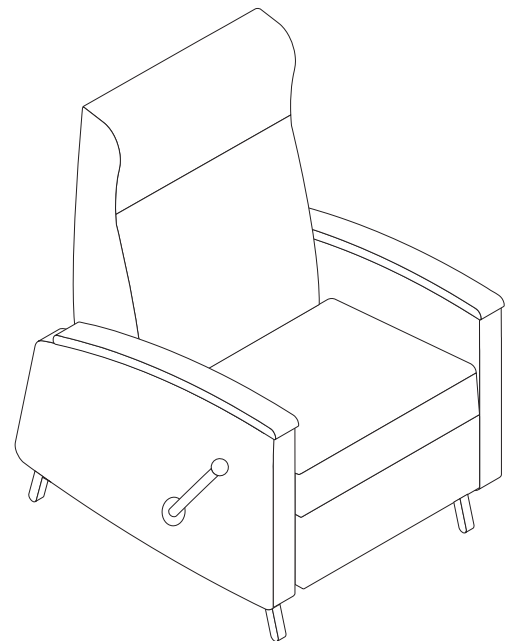
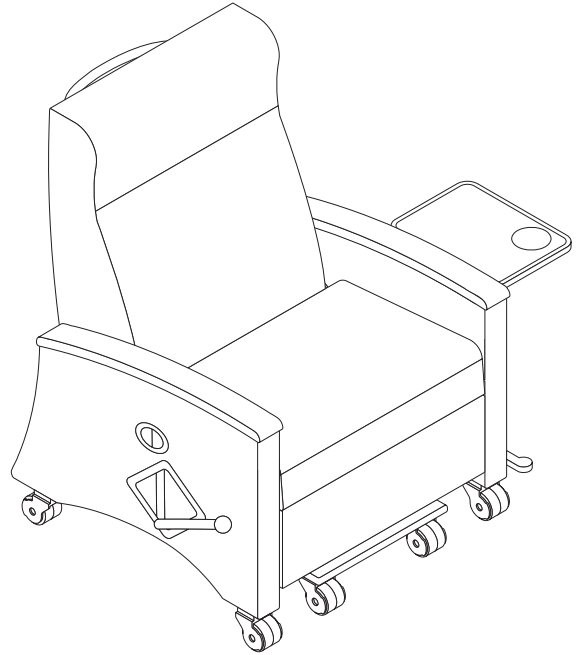
- Footrest features a removable upholstery cover
- Footrest lever allows footrest to be extended independently of the back operation

LEGS

- Legs are black metal

CONTRASTING FABRICS

- Contrasting fabric may be specified on back, seat, and arms/frame



SURFACE MATERIALS

See the Kimball Hospitality Surface Materials Reference Guide at kimballhospitality.com for a complete overview of our materials program, including:

- Characteristics of wood
- Special wood finishes
- Customer specified laminate (CSL)
- Customer specified paint (CSP)
- Fabric application and colorways
- Customer's own material (COM) process overview
- Alliance program

ALLIANCE FABRIC PROGRAM

Kimball Hospitality has analyzed each model to most accurately reflect the COM/COL yardage requirements shown on page 460.

The yardage requirement for each model is based on 54" wide fabric and cutting the fabric up the roll.

If repeat is larger than 18", contact Customer Service to confirm the correct amount of yardage required. When ordering 10 or more chairs in the same COM, yardage requirements may be reduced.

Contact Customer Service.

PRICE GRADES A-R

See Surface Materials at www.kimballhospitality.com for a wide variety of graded-in fabrics from Arc-Com, Carnegie, CF Stinson, Designtex, Maharam, Mayer, Momentum, and Ultrafabrics.

FABRIC SAMPLES

If you need samples for presentation(s), contact our alliance partners directly at:

| | | |
|--------------|--------------|--|
| Arc-Com | 800.223.5466 | arc-com.com |
| Carnegie | 800.727.6770 | carnegiefabrics.com |
| CF Stinson | 800.841.6279 | cfstinson.com |
| Designtex | 800.221.1540 | designtex.com |
| Maharam | 800.645.3943 | maharam.com |
| Mayer | 800.428.4415 | mayerfabrics.com |
| Momentum | 800.366.6839 | memosamples.com |
| Ultrafabrics | 877.309.6648 | ultrafabricsllc.com |

FOLD-DOWN TRAY AND ARM CAPS

3D LAMINATE

| | |
|----|-----------|
| CO | Canyon |
| DF | Driftwood |
| MH | Mocha |
| YO | Monterey |
| NW | Tuscan |

FOLD DOWN TRAY LOCATION

| | |
|---|------------------------------|
| L | Left as Seated (recommended) |
| R | Right as Seated |

ARM CAPS

POLYURETHANE

| | |
|-----|--------|
| 495 | Beige |
| 462 | Cinder |
| 496 | Grey |

SOLID SURFACE

| STANDARD | PREMIUM* | EOS* |
|--------------------|-------------------------|-----------------------------|
| 7101 Bisque | 467 Carbon Concrete | 495 EOS ^{CU} Beige |
| 405 Designer White | 468 Neutral COncrete | 496 EOS ^{CU} Grey |
| | 464 Peace Grey | *\$892 listUpcharge applies |
| | 469 Weathered Concrete | |
| | *\$490 Upcharge applies | |

WOOD

| | | | |
|----|------------|-----|------------|
| BZ | Brazilwood | MH | Mocha |
| CO | Canyon | YO | Monterey |
| CI | Chai | PC | Porcini |
| CC | Cordoba | PB | Portobello |
| DF | Driftwood | 792 | Sable |
| KN | Kona | NW | Tuscan |
| MW | Midtown | WL | Willow |

IMPORTANT: Hardwood finishes on seating are complementary to veneer finishes on casegoods and tables, but may not be a direct match due to the difference in substrates

Contact Customer Service for more information

MOISTURE BARRIER

| | |
|-----|-----------------------|
| X | No Moisture Barrier |
| MB1 | Seat (\$154 upcharge) |

TRENDELENBURG OPTION

| | |
|---|----------------------|
| Y | Yes (\$306 upcharge) |
| N | No |

PULL OUT FOOTREST

| | |
|---|----------------------|
| Y | Yes (\$458 upcharge) |
| N | No |

CASTERS

| | |
|-----|-----------------------------------|
| ILC | Individual Locking |
| CLC | Central Locking (\$1484 upcharge) |

HEATED SEAT

| | |
|---|-----------------------|
| Y | Yes (\$1692 upcharge) |
| N | No |

PUSH BAR

| | |
|---|----------------------|
| Y | Yes (\$183 upcharge) |
| N | No |

UTILITY BAG HOOK

| | |
|---|---------------------------------|
| N | None |
| L | Left as Seated (\$183 upcharge) |

BUMP GUARD

| | |
|---|---------------------|
| Y | Yes (\$47 upcharge) |
| N | No |

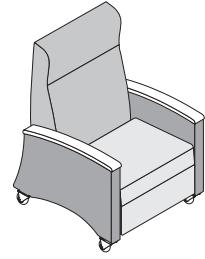
TO ORDER CONTRASTING FABRIC, SPECIFY

MEADOW

3-Position Recliner page 452

3-Position Recliner with Fold-Down Tray page 453

1. Model Number plus "X"
2. Back Fabric Grade
3. Back Fabric Number
4. Seat Fabric Grade
5. Seat Fabric Number
6. Arms/Frame (Primary) Fabric Grade
7. Arms/Frame (Primary) Fabric Number
8. Arm Cap Designator (if applicable)
9. Moisture Barrier Optional for Seat
10. Fold-Down Tray Color Designator (if applicable)
11. Fold-Down Tray Location (if applicable)
12. Push Bar
13. Utility Bag Hook
14. Bump Guard

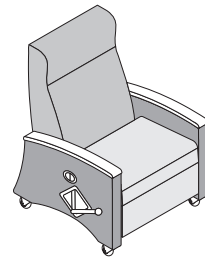


Back, seat, and arms/frame

Patient Recliner page 454

Patient Recliner with Fold-Down Tray page 455

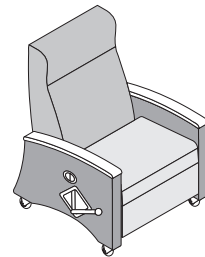
1. Model Number plus "X"
2. Back Fabric Grade
3. Back Fabric Number
4. Seat Fabric Grade
5. Seat Fabric Number
6. Arms/Frame (Primary) Fabric Grade
7. Arms/Frame (Primary) Fabric Number
8. Arm Cap Designator (if applicable)
9. Moisture Barrier Optional for Seat
10. Fold-Down Tray Color Designator (if applicable)
11. Trendelenburg Option
12. Pull-Out Footrest Option
13. Caster Option
14. Heated Seat Option
15. Push Bar
16. Utility Bag Hook
17. Bump Guard



Back, Seat, and arms/frame

Drop Arm Recliner page 456

1. Model Number plus "X"
2. Back Fabric Grade
3. Back Fabric Number
4. Seat Fabric Grade
5. Seat Fabric Number
6. Arms/Frame (Primary) Fabric Grade
7. Arms/Frame (Primary) Fabric Number
8. Arm Cap Designator (if applicable)
9. Moisture Barrier Optional for Seat
10. Trendelenburg Option
11. Pull-Out Footrest Option
12. Caster Option
13. Heated Seat Option
14. Push Bar
15. Bump Guard

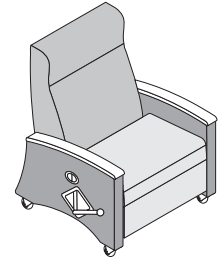


Back, Seat, and arms/frame

Bariatric Recliner page 457

Bariatric Recliner with Fold-Down Tray page 458

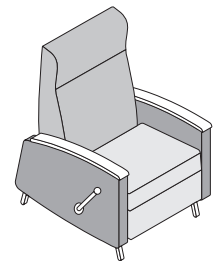
1. Model Number plus "X"
2. Back Fabric Grade
3. Back Fabric Number
4. Seat Fabric Grade
5. Seat Fabric Number
6. Arms/Frame (Primary) Fabric Grade
7. Arms/Frame (Primary) Fabric Number
8. Arm Cap Designator (if applicable)
9. Moisture Barrier Optional for Seat
10. Full-Down Tray Color Designator (if applicable)
11. Pull-Out Footrest Option
12. Caster Option
13. Heated Seat Option
14. Push Bar
15. Utility Bag Hook
16. Bump Guard



Back, seat, and arms/frame

Glider Recliner page 459

1. Model Number plus "X"
2. Back Fabric Grade
3. Back Fabric Number
4. Seat Fabric Grade
5. Seat Fabric Number
6. Arms/Frame (Primary) Fabric Grade
7. Arms/Frame (Primary) Fabric Number
8. Arm Cap Designator (if applicable)
9. Moisture Barrier Optional for Seat
10. Bump Guard



Back, seat, and arms/frame

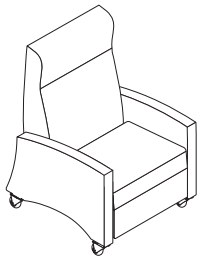
MEADOW

TO ORDER, SPECIFY:

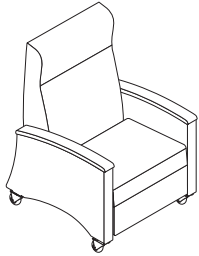
1. Model Number
2. Back Fabric Grade
3. Back Fabric Number
4. Seat Fabric Grade
5. Seat Fabric Number
6. Arms/Frame (Primary) Fabric Grade
7. Arms/Frame (Primary) Fabric Number
8. Arm Cap Designator (if applicable)
9. Moisture Barrier Optional for Seat
10. Push Bar
11. Utility Bag Hook
12. Bump Guard

- See page 449 for Meadow options
- See page 460 for COM fabric yardage

3-POSITION RECLINER



No Arm Caps



Arm Caps

MODEL NO.

ALLIANCE PROGRAM PRICE GRADES

| | | | A | B | C | D | E | F | G | H | I |
|-------------|------------------------|----|------|------|------|------|------|-------|-------|-------|-------|
| | | | J | K | L | M | N | O | P | Q | R |
| K693PR24 | No Arm Caps | \$ | 5305 | 5542 | 5725 | 5914 | 6115 | 6352 | 6487 | 6745 | 6961 |
| | | | 7183 | 7540 | 8248 | 8701 | 8803 | 8890 | 8998 | 9106 | 9607 |
| K693PR24ACP | Polyurethane Arm Caps | | 5504 | 5741 | 5924 | 6113 | 6314 | 6551 | 6686 | 6944 | 7160 |
| | | | 7382 | 7739 | 8447 | 8900 | 9002 | 9089 | 9197 | 9305 | 9806 |
| K693PR24ACW | Wood Arm Caps | | 5721 | 5958 | 6141 | 6330 | 6531 | 6768 | 6903 | 7161 | 7377 |
| | | | 7599 | 7956 | 8664 | 9117 | 9219 | 9306 | 9414 | 9522 | 10023 |
| K693PR24ACT | 3D Laminate Arm Caps | | 5852 | 6089 | 6272 | 6461 | 6662 | 6899 | 7034 | 7292 | 7508 |
| | | | 7730 | 8087 | 8795 | 9248 | 9350 | 9437 | 9545 | 9653 | 10154 |
| K693PR24ACS | Solid Surface Arm Caps | | 6453 | 6690 | 6873 | 7062 | 7263 | 7500 | 7635 | 7893 | 8109 |
| | | | 8331 | 8688 | 9396 | 9849 | 9951 | 10038 | 10146 | 10254 | 10755 |

DIMENSIONS - NO ARM CAPS

| | | | | | | | |
|--------|-----|-------------|-----|--------------|-----|-----------|------|
| Width | 30¼ | Seat Height | 19½ | Arm Height | 25½ | Weight | 205 |
| Depth | 32¼ | Seat Depth | 20½ | Arm Extended | 68 | Cubic Ft. | 47.9 |
| Height | 43¼ | Seat Width | 24 | | | | |

DIMENSIONS - ARM CAPS

| | | | | | | | |
|--------|-----|-------------|-----|--------------|-----|-----------|------|
| Width | 30¼ | Seat Height | 19½ | Arm Height | 26¼ | Weight | 205 |
| Depth | 32¼ | Seat Depth | 20½ | Arm Extended | 68 | Cubic Ft. | 47.9 |
| Height | 43¼ | Seat Width | 24 | | | | |

- Contrasting fabric option – specify X (i.e., K693PR24X); see page 450. For list pricing, use your electronic specification tool or contact customer service
- Grey, non-marking, single-wheel casters; locking front casters, non-locking back casters
- Removable cover on footrest

TO ORDER, SPECIFY:

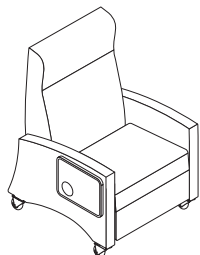
1. Model Number
2. Back Fabric Grade
3. Back Fabric Number
4. Seat Fabric Grade
5. Seat Fabric Number
6. Arms/Frame (Primary) Fabric Grade
7. Arms/Frame (Primary) Fabric Number
8. Arm Cap Designator (if applicable)
9. Moisture Barrier Optional for Seat
10. Fold-Down Tray Color Designator
11. Fold-Down Tray Location
12. Push Bar
13. Utility Bag Hook
14. Bump Guard

- See page 449 for Meadow options
- See page 460 for COM fabric yardage

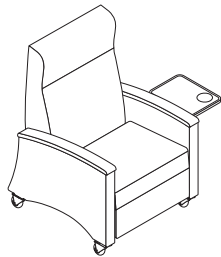
3-POSITION RECLINER WITH FOLD-DOWN TRAY

MODEL NO.

ALLIANCE PROGRAM PRICE GRADES



No Arm Caps



Arm Caps

| | | A | B | C | D | E | F | G | H | I |
|---------------|------------------------|---------|------|------|-------|-------|-------|-------|-------|-------|
| | | J | K | L | M | N | O | P | Q | R |
| K693PR24MT | No Arm Caps | \$ 5668 | 5905 | 6088 | 6277 | 6478 | 6715 | 6850 | 7108 | 7324 |
| | | 7546 | 7903 | 8611 | 9064 | 9166 | 9253 | 9361 | 9469 | 9970 |
| K693PR24ACPMT | Polyurethane Arm Caps | 5866 | 6103 | 6286 | 6475 | 6676 | 6913 | 7048 | 7306 | 7522 |
| | | 7744 | 8101 | 8809 | 9262 | 9364 | 9451 | 9559 | 9667 | 10168 |
| K693PR24ACWMT | Wood Arm Caps | 6084 | 6321 | 6504 | 6693 | 6894 | 7131 | 7266 | 7524 | 7740 |
| | | 7962 | 8319 | 9027 | 9480 | 9582 | 9669 | 9777 | 9885 | 10386 |
| K693PR24ACTMT | 3D Laminate Arm Caps | 6213 | 6450 | 6633 | 6822 | 7023 | 7260 | 7395 | 7653 | 7869 |
| | | 8091 | 8448 | 9156 | 9609 | 9711 | 9798 | 9906 | 10014 | 10515 |
| K693PR24ACSMT | Solid Surface Arm Caps | 6815 | 7052 | 7235 | 7424 | 7625 | 7862 | 7997 | 8255 | 8471 |
| | | 8693 | 9050 | 9758 | 10211 | 10313 | 10400 | 10508 | 10616 | 11117 |

DIMENSIONS - NO ARM CAPS

| | | | | | | | |
|--------|-----|-------------|-----|--------------|-----|-----------|------|
| Width | 30¼ | Seat Height | 19½ | Arm Height | 25½ | Weight | 205 |
| Depth | 32¼ | Seat Depth | 20½ | Arm Extended | 68 | Cubic Ft. | 47.9 |
| Height | 43¼ | Seat Width | 24 | | | | |

DIMENSIONS - ARM CAPS

| | | | | | | | |
|--------|-----|-------------|-----|--------------|-----|-----------|------|
| Width | 30¼ | Seat Height | 19½ | Arm Height | 26¼ | Weight | 205 |
| Depth | 32¼ | Seat Depth | 20½ | Arm Extended | 68 | Cubic Ft. | 47.9 |
| Height | 43¼ | Seat Width | 24 | | | | |

- Contrasting fabric option – specify X (i.e., K693PR24MTX); see page 450. For list pricing, use your electronic specification tool or contact customer service
- Grey, non-marking, single-wheel casters; locking front casters, non-locking back casters
- Removable cover on footrest
- Fold-down tray (left or right as seated): 3D laminate
- Arm caps, if applicable: polyurethane, beech wood, 3D laminate, or solid surface

MEADOW

TO ORDER, SPECIFY:

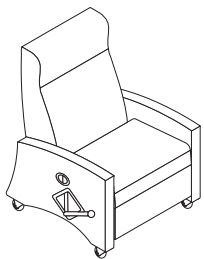
1. Model Number
2. Back Fabric Grade
3. Back Fabric Number
4. Seat Fabric Grade
5. Seat Fabric Number
6. Arms/Frame (Primary) Fabric Grade
7. Arms/Frame (Primary) Fabric Number
8. Arm Cap Designator (if applicable)
9. Moisture Barrier Optional for Seat
10. Trendelenburg Option
11. Pull-Out Footrest Option
12. Caster Option
13. Heated Seat Option
14. Push Bar
15. Utility Bag Hook
16. Bump Guard

- See page 449 for Meadow options
- See page 460 for COM fabric yardage

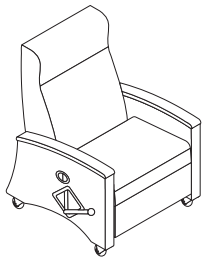
PATIENT RECLINER

MODEL NO.

ALLIANCE PROGRAM PRICE GRADES



No Arm Caps



Arm Caps

| | | | A | B | C | D | E | F | G | H | I |
|-----------|------------------------|----|------|------|-------|-------|-------|-------|-------|-------|-------|
| | | | J | K | L | M | N | O | P | Q | R |
| K69R24 | No Arm Caps | \$ | 6213 | 6423 | 6585 | 6753 | 6933 | 7143 | 7263 | 7492 | 7684 |
| | | | 7881 | 8199 | 8829 | 9231 | 9321 | 9399 | 9495 | 9591 | 10036 |
| K69R24ACP | Polyurethane Arm Caps | | 6371 | 6581 | 6743 | 6911 | 7091 | 7301 | 7421 | 7650 | 7842 |
| | | | 8039 | 8357 | 8987 | 9389 | 9479 | 9557 | 9653 | 9749 | 10194 |
| K69R24ACW | Wood Arm Caps | | 6523 | 6733 | 6895 | 7063 | 7243 | 7453 | 7573 | 7802 | 7994 |
| | | | 8191 | 8509 | 9139 | 9541 | 9631 | 9709 | 9805 | 9901 | 10346 |
| K69R24ACT | 3D Laminate Arm Caps | | 6654 | 6864 | 7026 | 7194 | 7374 | 7584 | 7704 | 7933 | 8125 |
| | | | 8322 | 8640 | 9270 | 9672 | 9762 | 9840 | 9936 | 10032 | 10477 |
| K69R24ACS | Solid Surface Arm Caps | | 7491 | 7701 | 7863 | 8031 | 8211 | 8421 | 8541 | 8770 | 8962 |
| | | | 9159 | 9477 | 10107 | 10509 | 10599 | 10677 | 10773 | 10869 | 11314 |

DIMENSIONS - NO ARM CAPS

| | | | | | | | |
|--------|-----|-------------|-----|--------------|----|-----------|------|
| Width | 33 | Seat Height | 21½ | Arm Height | 27 | Weight | 205 |
| Depth | 32 | Seat Depth | 20 | Arm Extended | 72 | Cubic Ft. | 47.9 |
| Height | 46½ | Seat Width | 23½ | | | | |

DIMENSIONS - ARM CAPS

| | | | | | | | |
|--------|-----|-------------|-----|--------------|-----|-----------|------|
| Width | 33 | Seat Height | 21½ | Arm Height | 27¾ | Weight | 205 |
| Depth | 32 | Seat Depth | 20 | Arm Extended | 72 | Cubic Ft. | 47.9 |
| Height | 46½ | Seat Width | 23½ | | | | |

- Contrasting fabric option – specify X (i.e., K69R24X); see page 450. For list pricing, use your electronic specification tool or contact customer service
- Grey, non-marking, individually locking, single-wheel casters
- Independent footrest and back operation
- Removable cover on footrest
- Infinite back lock in 1 degree increments to full sleeping position
- Arm caps, if applicable: polyurethane, beech wood, 3D laminate, or solid surface

TO ORDER, SPECIFY:

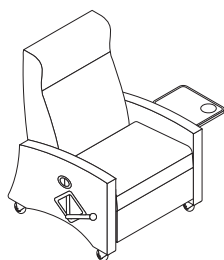
1. Model Number
2. Back Fabric Grade
3. Back Fabric Number
4. Seat Fabric Grade
5. Seat Fabric Number
6. Arms/Frame (Primary) Fabric Grade
7. Arms/Frame (Primary) Fabric Number
8. Arm Cap Designator (if applicable)
9. Moisture Barrier Optional for Seat
10. Fold-Down Tray Color Designator
11. Trendelenburg Option
12. Pull-Out Footrest Option
13. Caster Option
14. Heated Seat Option
15. Push Bar
16. Utility Bag Hook
17. Bump Guard

- See page 449 for Meadow options
- See page 460 for COM fabric yardage

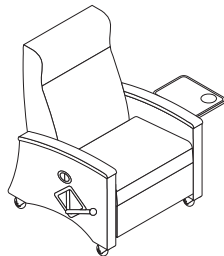
PATIENT RECLINER WITH FOLD-DOWN TRAY

MODEL NO.

ALLIANCE PROGRAM PRICE GRADES



No Arm Caps



Arm Caps

| | | A | B | C | D | E | F | G | H | I |
|-------------|------------------------|---------|------|-------|-------|-------|-------|-------|-------|-------|
| | | J | K | L | M | N | O | P | Q | R |
| K69R24MT | No Arm Caps | \$ 6576 | 6786 | 6948 | 7116 | 7296 | 7506 | 7626 | 7855 | 8047 |
| | | 8244 | 8562 | 9192 | 9594 | 9684 | 9762 | 9858 | 9954 | 10399 |
| K69R24ACPMT | Polyurethane Arm Caps | 6732 | 6942 | 7104 | 7272 | 7452 | 7662 | 7782 | 8011 | 8203 |
| | | 8400 | 8718 | 9348 | 9750 | 9840 | 9918 | 10014 | 10110 | 10555 |
| K69R24ACWMT | Wood Arm Caps | 6887 | 7097 | 7259 | 7427 | 7607 | 7817 | 7937 | 8166 | 8358 |
| | | 8555 | 8873 | 9503 | 9905 | 9995 | 10073 | 10169 | 10265 | 10710 |
| K69R24ACTMT | 3D Laminate Arm Caps | 7016 | 7226 | 7388 | 7556 | 7736 | 7946 | 8066 | 8295 | 8487 |
| | | 8684 | 9002 | 9632 | 10034 | 10124 | 10202 | 10298 | 10394 | 10839 |
| K69R24ACSMT | Solid Surface Arm Caps | 7853 | 8063 | 8225 | 8393 | 8573 | 8783 | 8903 | 9132 | 9324 |
| | | 9521 | 9839 | 10469 | 10871 | 10961 | 11039 | 11135 | 11231 | 11676 |

DIMENSIONS - NO ARM CAPS

| | | | | | | | |
|--------|-----|-------------|-----|--------------|----|-----------|------|
| Width | 33 | Seat Height | 21½ | Arm Height | 27 | Weight | 205 |
| Depth | 32 | Seat Depth | 20 | Arm Extended | 72 | Cubic Ft. | 47.9 |
| Height | 46½ | Seat Width | 23½ | | | | |

DIMENSIONS - ARM CAPS

| | | | | | | | |
|--------|-----|-------------|-----|--------------|-----|-----------|------|
| Width | 33 | Seat Height | 21½ | Arm Height | 27¾ | Weight | 205 |
| Depth | 32 | Seat Depth | 20 | Arm Extended | 72 | Cubic Ft. | 47.9 |
| Height | 46½ | Seat Width | 23½ | | | | |

- Contrasting fabric option – specify X (i.e., K69R24MTX); see page 450. For list pricing, use your electronic specification tool or contact customer service
- Grey, non-marking, individually locking, single-wheel casters
- Independent footrest and back operation
- Removable cover on footrest
- Infinite back lock in 1 degree increments to full sleeping position
- Fold-down tray (left as seated): 3D laminate
- Arm caps, if applicable: polyurethane, beech wood, 3D laminate, or solid surface

MEADOW

TO ORDER, SPECIFY:

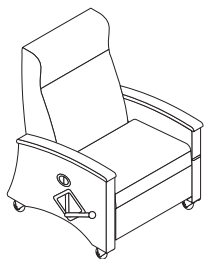
1. Model Number
2. Back Fabric Grade
3. Back Fabric Number
4. Seat Fabric Grade
5. Seat Fabric Number
6. Arms/Frame (Primary) Fabric Grade
7. Arms/Frame (Primary) Fabric Number
8. Arm Cap Designator (if applicable)
9. Moisture Barrier Optional for Seat
10. Trendelenburg Option
11. Pull-Out Footrest Option
12. Caster Option
13. Heated Seat Option
14. Push Bar
15. Bump Guard

- See page 449 for Meadow options
- See page 460 for COM fabric yardage

DROP ARM RECLINER

MODEL NO.

ALLIANCE PROGRAM PRICE GRADES



Arm Caps

| | | A | B | C | D | E | F | G | H | I |
|-------------|------------------------|-------|-------|-------|-------|-------|-------|-------|-------|-------|
| | | J | K | L | M | N | O | P | Q | R |
| K69RDA24ACW | Wood Arm Caps | 9063 | 9352 | 9575 | 9806 | 10053 | 10342 | 10507 | 10822 | 11086 |
| | | 11357 | 11794 | 12660 | 13213 | 13337 | 13444 | 13576 | 13708 | 14320 |
| K69RDA24ACT | 3D Laminate Arm Caps | 9205 | 9494 | 9717 | 9948 | 10195 | 10484 | 10649 | 10964 | 11228 |
| | | 11499 | 11936 | 12802 | 13355 | 13479 | 13586 | 13718 | 13850 | 14462 |
| K69RDA24ACS | Solid Surface Arm Caps | 9811 | 10100 | 10323 | 10554 | 10801 | 11090 | 11255 | 11570 | 11834 |
| | | 12105 | 12542 | 13408 | 13961 | 14085 | 14192 | 14324 | 14456 | 15068 |

DIMENSIONS - NO ARM CAPS

| | | | | | | | |
|--------|-----|-------------|-----|--------------|----|-----------|------|
| Width | 33 | Seat Height | 21½ | Arm Height | 27 | Weight | 205 |
| Depth | 32 | Seat Depth | 20 | Arm Extended | 72 | Cubic Ft. | 47.9 |
| Height | 46½ | Seat Width | 23½ | | | | |

DIMENSIONS - ARM CAPS

| | | | | | | | |
|--------|-----|-------------|-----|--------------|-----|-----------|------|
| Width | 33 | Seat Height | 21½ | Arm Height | 27¾ | Weight | 205 |
| Depth | 32 | Seat Depth | 20 | Arm Extended | 72 | Cubic Ft. | 47.9 |
| Height | 46½ | Seat Width | 23½ | | | | |

- Contrasting fabric option – specify X (i.e., K69RDA24X); see page 450. For list pricing, use your electronic specification tool or contact customer service
- Grey, non-marking, individually locking, single-wheel casters
- Independent footrest and back operation
- Removable cover on footrest
- Infinite back lock in 1 degree increments to full sleeping position
- Drop-arm with release knob
- Arm caps, if applicable: polyurethane, beech wood, 3D laminate, or solid surface

TO ORDER, SPECIFY:

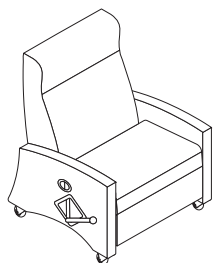
1. Model Number
2. Back Fabric Grade
3. Back Fabric Number
4. Seat Fabric Grade
5. Seat Fabric Number
6. Arms/Frame (Primary) Fabric Grade
7. Arms/Frame (Primary) Fabric Number
8. Arm Cap Designator (if applicable)
9. Moisture Barrier Optional for Seat
10. Pull-Out Footrest Option
11. Caster Option
12. Heated Seat Option
13. Push Bar
14. Utility Bag Hook
15. Bump Guard

- See page 449 for Meadow options
- See page 460 for COM fabric yardage

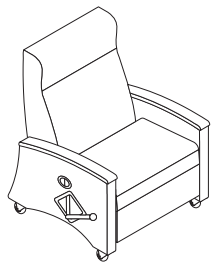
BARIATRIC RECLINER

MODEL NO.

ALLIANCE PROGRAM PRICE GRADES



No Arm Caps



Arm Caps

| | | | A | B | C | D | E | F | G | H | I |
|-----------|------------------------|----|-------|-------|-------|-------|-------|-------|-------|-------|-------|
| | | | J | K | L | M | N | O | P | Q | R |
| K69R27 | No Arm Caps | \$ | 7185 | 7438 | 7635 | 7838 | 8055 | 8308 | 8453 | 8729 | 8961 |
| | | | 9201 | 9584 | 10346 | 10831 | 10941 | 11034 | 11150 | 11266 | 11803 |
| K69R27ACP | Polyurethane Arm Caps | | 7384 | 7637 | 7834 | 8037 | 8254 | 8507 | 8652 | 8928 | 9160 |
| | | | 9400 | 9783 | 10545 | 11030 | 11140 | 11233 | 11349 | 11465 | 12002 |
| K69R27ACW | Wood Arm Caps | | 7600 | 7853 | 8050 | 8253 | 8470 | 8723 | 8868 | 9144 | 9376 |
| | | | 9616 | 9999 | 10761 | 11246 | 11356 | 11449 | 11565 | 11681 | 12218 |
| K69R27ACT | 3D Laminate Arm Caps | | 7739 | 7992 | 8189 | 8392 | 8609 | 8862 | 9007 | 9283 | 9515 |
| | | | 9755 | 10138 | 10900 | 11385 | 11495 | 11588 | 11704 | 11820 | 12357 |
| K69R27ACS | Solid Surface Arm Caps | | 8354 | 8607 | 8804 | 9007 | 9224 | 9477 | 9622 | 9898 | 10130 |
| | | | 10370 | 10753 | 11515 | 12000 | 12110 | 12203 | 12319 | 12435 | 12972 |

DIMENSIONS - NO ARM CAPS

| | | | | | | | |
|--------|-----|-------------|-----|--------------|----|-----------|------|
| Width | 36 | Seat Height | 21½ | Arm Height | 27 | Weight | 250 |
| Depth | 32 | Seat Depth | 20 | Arm Extended | 72 | Cubic Ft. | 51.5 |
| Height | 46½ | Seat Width | 26½ | | | | |

DIMENSIONS - ARM CAPS

| | | | | | | | |
|--------|-----|-------------|-----|--------------|-----|-----------|------|
| Width | 36 | Seat Height | 21½ | Arm Height | 27¾ | Weight | 250 |
| Depth | 32 | Seat Depth | 20 | Arm Extended | 72 | Cubic Ft. | 51.5 |
| Height | 46½ | Seat Width | 26½ | | | | |

- Contrasting fabric option – specify X (i.e., K69R27X); see page 451. For list pricing, use your electronic specification tool or contact customer service
- Grey, non-marking, individually locking, single-wheel casters
- Independent footrest and back operation
- Removable cover on footrest
- Infinite back lock in 1 degree increments to full sleeping position
- Arm caps, if applicable: polyurethane, beech wood, 3D laminate, or solid surface

MEADOW

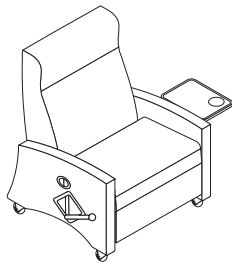
TO ORDER, SPECIFY:

1. Model Number
2. Back Fabric Grade
3. Back Fabric Number
4. Seat Fabric Grade
5. Seat Fabric Number
6. Arms/Frame (Primary) Fabric Grade
7. Arms/Frame (Primary) Fabric Number
8. Arm Cap Designator (if applicable)
9. Moisture Barrier Optional for Seat
10. Fold-Down Tray Color Designator
11. Pull-Out Footrest Option
12. Caster Option
13. Heated Seat Option
14. Push Bar
15. Utility Bag Hook
16. Bump Guard

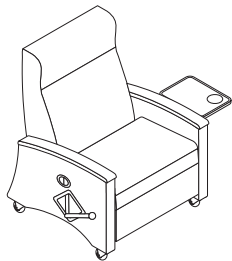
- See page 449 for Meadow options
- See page 460 for COM fabric yardage

BARIATRIC RECLINER
WITH FOLD-DOWN TRAYMODEL
NO.

ALLIANCE PROGRAM PRICE GRADES



No Arm Caps



Arm Caps

| | | | A | B | C | D | E | F | G | H | I |
|-------------|------------------------|----|-------|-------|-------|-------|-------|-------|-------|-------|-------|
| | | | J | K | L | M | N | O | P | Q | R |
| K69R27MT | No Arm Caps | \$ | 7546 | 7799 | 7996 | 8199 | 8416 | 8669 | 8814 | 9090 | 9322 |
| | | | 9562 | 9945 | 10707 | 11192 | 11302 | 11395 | 11511 | 11627 | 12164 |
| K69R27ACPMT | Polyurethane Arm Caps | | 7747 | 8000 | 8197 | 8400 | 8617 | 8870 | 9015 | 9291 | 9523 |
| | | | 9763 | 10146 | 10908 | 11393 | 11503 | 11596 | 11712 | 11828 | 12365 |
| K69R27ACWMT | Wood Arm Caps | | 7962 | 8215 | 8412 | 8615 | 8832 | 9085 | 9230 | 9506 | 9738 |
| | | | 9978 | 10361 | 11123 | 11608 | 11718 | 11811 | 11927 | 12043 | 12580 |
| K69R27ACTMT | 3D Laminate Arm Caps | | 8101 | 8354 | 8551 | 8754 | 8971 | 9224 | 9369 | 9645 | 9877 |
| | | | 10117 | 10500 | 11262 | 11747 | 11857 | 11950 | 12066 | 12182 | 12719 |
| K69R27ACSMT | Solid Surface Arm Caps | | 8715 | 8968 | 9165 | 9368 | 9585 | 9838 | 9983 | 10259 | 10491 |
| | | | 10731 | 11114 | 11876 | 12361 | 12471 | 12564 | 12680 | 12796 | 13333 |

DIMENSIONS - NO ARM CAPS

| | | | | | | | |
|--------|-----|-------------|-----|--------------|----|-----------|------|
| Width | 36 | Seat Height | 21½ | Arm Height | 27 | Weight | 250 |
| Depth | 32 | Seat Depth | 20 | Arm Extended | 72 | Cubic Ft. | 51.5 |
| Height | 46½ | Seat Width | 26½ | | | | |

DIMENSIONS - ARM CAPS

| | | | | | | | |
|--------|-----|-------------|-----|--------------|-----|-----------|------|
| Width | 36 | Seat Height | 21½ | Arm Height | 27¾ | Weight | 250 |
| Depth | 32 | Seat Depth | 20 | Arm Extended | 72 | Cubic Ft. | 51.5 |
| Height | 46½ | Seat Width | 26½ | | | | |

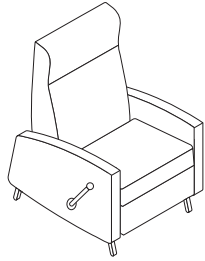
- Contrasting fabric option – specify X (i.e., K69R27MTX); see page 451. For list pricing, use your electronic specification tool or contact customer service
- Grey, non-marking, individually locking, single-wheel casters
- Independent footrest and back operation
- Removable cover on footrest
- Infinite back lock in 1 degree increments to full sleeping position
- Fold-down tray (left as seated): 3D laminate
- Arm caps, if applicable: polyurethane, beech wood, 3D laminate, or solid surface

TO ORDER, SPECIFY:

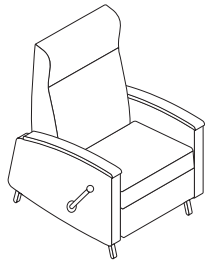
1. Model Number
2. Back Fabric Grade
3. Back Fabric Number
4. Seat Fabric Grade
5. Seat Fabric Number
6. Arms/Frame (Primary) Fabric Grade
7. Arms/Frame (Primary) Fabric Number
8. Arm Cap Designator (if applicable)
9. Moisture Barrier Optional for Seat
10. Bump Guard

- See page 449 for Meadow options
- See page 460 for COM fabric yardage

GLIDER RECLINER



No Arm Caps



Arm Caps

MODEL NO.

ALLIANCE PROGRAM PRICE GRADES

| | | | A | B | C | D | E | F | G | H | I |
|------------|------------------------|-------|-------|-------|-------|-------|-------|-------|-------|-------|-------|
| | | | J | K | L | M | N | O | P | Q | R |
| K69GR24 | No Arm Caps | \$ | 7771 | 8008 | 8191 | 8380 | 8581 | 8818 | 8953 | 9211 | 9427 |
| | | | 9649 | 10006 | 10714 | 11167 | 11269 | 11356 | 11464 | 11572 | 12073 |
| K69GR24ACP | Polyurethane Arm Caps | 7971 | 8208 | 8391 | 8580 | 8781 | 9018 | 9153 | 9411 | 9627 | |
| | | 9849 | 10206 | 10914 | 11367 | 11469 | 11556 | 11664 | 11772 | 12273 | |
| K69GR24ACW | Wood Arm Caps | 8187 | 8424 | 8607 | 8796 | 8997 | 9234 | 9369 | 9627 | 9843 | |
| | | 10065 | 10422 | 11130 | 11583 | 11685 | 11772 | 11880 | 11988 | 12489 | |
| K69GR24ACT | 3D Laminate Arm Caps | 8324 | 8561 | 8744 | 8933 | 9134 | 9371 | 9506 | 9764 | 9980 | |
| | | 10202 | 10559 | 11267 | 11720 | 11822 | 11909 | 12017 | 12125 | 12626 | |
| K69GR24ACS | Solid Surface Arm Caps | 8918 | 9155 | 9338 | 9527 | 9728 | 9965 | 10100 | 10358 | 10574 | |
| | | 10796 | 11153 | 11861 | 12314 | 12416 | 12503 | 12611 | 12719 | 13220 | |

DIMENSIONS - NO ARM CAPS

| | | | | | | | |
|--------|----|-------------|-----|--------------|-----|-----------|------|
| Width | 36 | Seat Height | 19½ | Arm Height | 25½ | Weight | 205 |
| Depth | 34 | Seat Depth | 21 | Arm Extended | 67 | Cubic Ft. | 47.9 |
| Height | 45 | Seat Width | 24 | | | | |

DIMENSIONS - ARM CAPS

| | | | | | | | |
|--------|----|-------------|-----|--------------|-----|-----------|------|
| Width | 36 | Seat Height | 19½ | Arm Height | 26¼ | Weight | 205 |
| Depth | 34 | Seat Depth | 21 | Arm Extended | 67 | Cubic Ft. | 47.9 |
| Height | 45 | Seat Width | 24 | | | | |

- Contrasting fabric option – specify X (i.e., K69GR24X); see page 451. For list pricing, use your electronic specification tool or contact customer service
- Independent footrest and back operation
- Removable cover on footrest
- Supportive, contoured back
- Infinite back lock in 1 degree increments
- Arm caps, if applicable: polyurethane, beech wood, 3D laminate, or solid surface

COM YARDAGE REQUIREMENTS

COM YARDAGE REQUIREMENTS (54" WIDTH – CUT UP THE ROLL)

| MODEL | RAILROADED Contact customer service 800-634-9510 for ydg requirements | NON DIRECTIONAL OR SOLID | 1"-4" REPEAT | 5"-11" REPEAT | 12"-18" REPEAT | COL SQUARE FEET |
|--|--|--------------------------------|-----------------------------------|-------------------------------------|-------------------------------------|-----------------------|
| | | | 4" VERTICAL X 4" HORIZONTAL | 11" VERTICAL X 11" HORIZONTAL | 18" VERTICAL X 18" HORIZONTAL | |
| K693PR24, K693PR24ACP, K693PR24ACW, K693PR24ACT, K693PR24ACS | Entire Unit | 5.50 | 7.00 | 9.80 | 10.70 | 109.1 |
| | Back | 2.10 | 2.40 | 3.60 | 4.10 | 42.7 |
| | Seat | 1.80 | 2.30 | 2.90 | 4.60 | 35.5 |
| | Arms | 2.80 | 3.40 | 4.80 | 4.80 | 55.4 |
| K693PR24MT, K693PR24ACPMT, K693PR24ACWMT, K693PR24ACTMT, K693PR24ACSMT | Entire Unit | 5.50 | 7.00 | 9.80 | 10.70 | 109.1 |
| | Back | 2.10 | 2.40 | 3.60 | 4.10 | 42.7 |
| | Seat | 1.80 | 2.30 | 2.90 | 4.60 | 35.5 |
| | Arms | 2.80 | 3.40 | 4.80 | 4.80 | 55.4 |
| K69R24, K69R24ACP, K69R24ACW, K69R24ACT, K69R24ACS | Entire Unit | 5.40 | 6.90 | 9.20 | 11.20 | 106.9 |
| | Back | 2.00 | 2.50 | 3.40 | 4.70 | 42.1 |
| | Seat | 1.60 | 2.10 | 2.70 | 3.70 | 31.6 |
| | Arms | 2.80 | 3.40 | 4.80 | 4.80 | 55.4 |
| K69R24MT, K69R24ACPMT, K69R24ACWMT, K69R24ACTMT, K69R24ACSMT | Entire Unit | 5.40 | 6.90 | 9.20 | 11.20 | 106.9 |
| | Back | 2.00 | 2.50 | 3.40 | 4.70 | 42.1 |
| | Seat | 1.60 | 2.10 | 2.70 | 3.70 | 31.6 |
| | Arms | 2.80 | 3.40 | 4.80 | 4.80 | 55.4 |
| K69RDA24ACW, K69RDA24ACT, K69RDA24ACS | Entire Unit | 5.60 | 7.10 | 9.70 | 11.70 | 112.4 |
| | Back | 2.10 | 2.50 | 3.40 | 4.70 | 42.1 |
| | Seat | 1.60 | 2.10 | 2.70 | 3.70 | 31.6 |
| | Arms | 2.70 | 3.60 | 5.00 | 5.40 | 53.7 |
| K69R27, K69R27ACP, K69R27ACW, K69R27ACT, K69R27ACS | Entire Unit | 5.90 | 7.60 | 9.80 | 11.20 | 116.8 |
| | Back | 2.30 | 3.10 | 3.80 | 4.70 | 44.9 |
| | Seat | 1.80 | 2.50 | 3.80 | 4.10 | 36 |
| | Arms | 2.80 | 3.40 | 4.80 | 4.80 | 55.4 |
| K69R27MT, K69R27ACPMT, K69R27ACWMT, K69R27ACTMT, K69R27ACSMT | Entire Unit | 5.90 | 7.60 | 9.80 | 11.20 | 116.8 |
| | Back | 2.30 | 3.10 | 3.80 | 4.70 | 44.9 |
| | Seat | 1.80 | 2.50 | 3.80 | 4.10 | 36 |
| | Arms | 2.80 | 3.40 | 4.80 | 4.80 | 55.4 |
| K69GR24, K69GR24ACP, K69GR24ACW, K69GR24ACT, K69GR24ACS | Entire Unit | 6.40 | 6.70 | 9.20 | 10.20 | 127.9 |
| | Back | 2.30 | 2.60 | 3.30 | 4.20 | 44.9 |
| | Seat | 1.50 | 2.00 | 2.60 | 4.00 | 30.5 |
| | Arms | 2.60 | 3.00 | 4.30 | 6.20 | 52.6 |