

---

# Tellaro

Product Specifications	640
Fabrics and Options	641
Contrasting Fabrics Specifications	642
Product Pages	643
COM Yardage Requirements	646

## TELLARO PRODUCT SPECIFICATIONS

### FRAME CONSTRUCTION

- Interior frame is constructed of plywood with tenon joints that are glued and screwed for maximum joint stability
- Separate interior components are joined with bolts
- Nylon  $\frac{3}{4}$ " adjustable leveling glide

### SEAT CONSTRUCTION

- Seat cushions are tethered and feature 6" of high grade polyurethane foam, custom shaped and fabricated
- Black denim and  $\frac{1}{4}$ " felt insulator cover high tension strip webbing for comfort

### BACK CONSTRUCTION

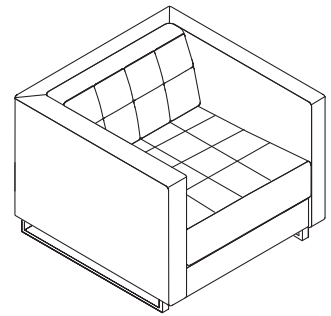
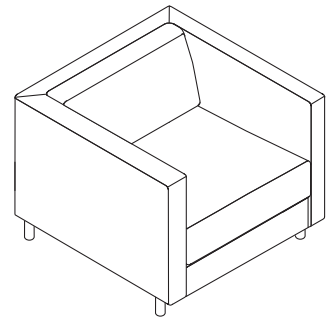
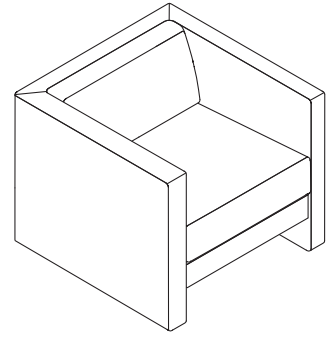
- $4\frac{1}{2}$ " of high grade polyurethane foam custom shaped and fabricated covers a plywood panel
- Panel is securely fastened to interior back frame with screws

### ARM CONSTRUCTION

- Arms are wrapped with  $\frac{1}{2}$ " of high grade polyurethane foam custom shaped, fabricated and slip-covered
- Arms are connected to seat and wall frame using 5 bolts per arm

### LEGS

- Metal cylinder legs offered in Concrete, Cinder, Iron, Polished, Platinum Metallic, and Satin Nickel Metallic
- Metal U-legs offered in Cinder, Polished, Platinum Metallic, and Satin Nickel Metallic



## SURFACE MATERIALS

See the Kimball Hospitality Surface Materials Reference Guide at [kimballhospitality.com](http://kimballhospitality.com) for a complete overview of our materials program, including:

- Characteristics of wood
- Special wood finishes
- Customer-specified laminate (CSL)
- Customer-specified paint (CSP)
- Fabric application and colorways
- Customer's own material (COM) process overview
- Alliance program

### ALLIANCE FABRIC PROGRAM

Kimball Hospitality has analyzed each model to most accurately reflect the COM/COL yardage requirements shown on page 646.

The yardage requirement for each model is based on 54" W fabric and cutting the fabric up the roll.

If repeat is larger than 18", contact Customer Service to confirm the correct amount of yardage required. When ordering 10 or more chairs in the same COM, yardage requirements may be reduced.

Contact Customer Service.

### PRICE GRADES A-R

See Surface Materials at [www.kimballhospitality.com](http://www.kimballhospitality.com) for a wide variety of graded-in fabrics from Arc-Com, Carnegie, CF Stinson, Designtex, Maharam, Mayer, Momentum, and Ultrafabrics.

### FABRIC SAMPLES

If you need samples for presentation(s), contact our alliance partners directly at:

Arc-Com	800.223.5466	<a href="http://arc-com.com">arc-com.com</a>
Carnegie	800.727.6770	<a href="http://carnegiefabrics.com">carnegiefabrics.com</a>
CF Stinson	800.841.6279	<a href="http://cfstinson.com">cfstinson.com</a>
Designtex	800.221.1540	<a href="http://designtex.com">designtex.com</a>
Maharam	800.645.3943	<a href="http://maharam.com">maharam.com</a>
Mayer	800.428.4415	<a href="http://mayerfabrics.com">mayerfabrics.com</a>
Momentum	800.366.6839	<a href="http://memosamples.com">memosamples.com</a>
Ultrafabrics	877.309.6648	<a href="http://ultrafabricsllc.com">ultrafabricsllc.com</a>

## METAL LEG COLORS

265	Polished
423	Concrete
462	Cinder
463	Iron
501	Platinum Metallic
503	Satin Nickel Metallic

## WOOD LEG COLORS

AC	Autumn
AD	Almond
BZ	Brazilwood
CI	Chai
CL	Caramel
CW	Cordovan
DW	Judicial
HN	Honey
IM	Brighton
KN	Kona
MC	Amber
MH	Mocha
NM	Natural
PB	Portobello
PC	Porcini
PT	Portico
SK	Skyline
SM	Sonoma
TF	Truffle
WL	Willow
405	Designer White
462	Cinder
792	Sable
793	Acorn*

\*Acorn is the finish complement to Clear Walnut finish

## TO ORDER CONTRASTING FABRIC, SPECIFY

### TELLARO

**1 Seat Lounge page 643**

**1 Seat Lounge Cylinder Leg page 643**

**1 Seat Lounge U-Leg Metal page 643**

**1 Seat Lounge U-Leg Wood page 643**

**2½ Seat Lounge page 644**

**2½ Seat Lounge Cylinder Leg page 644**

**2½ Seat Lounge U-Leg Metal page 644**

**2½ Seat Lounge U-Leg Wood page 644**

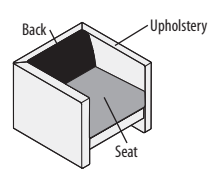
**4 Seat Lounge page 645**

**4 Seat Lounge Cylinder Leg page 645**

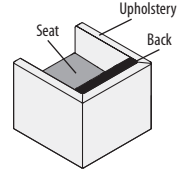
**4 Seat Lounge U-Leg Metal page 645**

**4 Seat Lounge U-Leg Wood page 645**

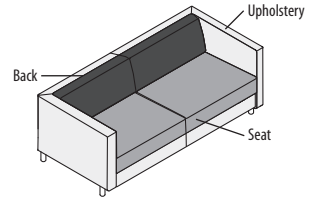
1. Model Number plus "X"
2. Back Fabric Grade Number/Cover Number
3. Seat Fabric Grade Number/Cover Number
4. Upholstery Fabric Grade Number/Cover Number



Contrasting Upholstery  
Front View



Contrasting Upholstery  
Back View



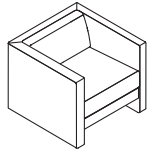
Contrasting Upholstery  
Front View

**TO ORDER, SPECIFY:**

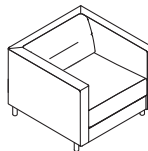
1. Model Number
2. Fabric Grade / Cover Number
3. Metal / Wood Leg Finish

- See page 641 for Tellaro options
- See pages 646-647 for COM fabric yardage

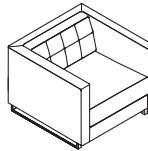
**1 SEAT LOUNGE**



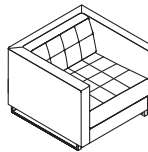
Fully Upholstered Leg  
Non-Tufted



Cylinder Leg  
Horizon Back Stitch



U-Leg Wood  
Tufted Back



U-Leg Metal  
Tufted Seat and Back

**MODEL NO.**

**ALLIANCE PROGRAM PRICE GRADES**

		A	B	C	D	E	F	G	H	I
		J	K	L	M	N	O	P	Q	R
<b>FULLY UPHOLSTERED LEG</b>										
N74M1A	Non-Tufted	\$ 2402	2584	2727	2875	3040	3216	3359	3541	3722
		3904	4184	4756	5108	5295	5482	5664	5851	6027
N74M1AT	Sewn-Tufted Back and Seat	2744	2969	3145	3329	3533	3751	3927	4152	4376
		4601	4947	5655	6090	6321	6552	6777	7008	7225
N74M1ATB	Sewn-Tufted Back	2576	2780	2942	3109	3295	3493	3655	3859	4064
		4268	4585	5229	5626	5837	6048	6252	6463	6662
N74M1AS	Horizon Back Stitch	2538	2720	2863	3011	3176	3352	3495	3677	3858
		4040	4320	4892	5244	5431	5618	5800	5987	6163
<b>CYLINDER LEG</b>										
N74M1AC	Non-Tufted	\$ 2688	2844	2968	3096	3239	3391	3514	3671	3828
		3984	4227	4721	5025	5186	5348	5504	5666	5818
N74M1ATC	Sewn-Tufted Back and Seat	3028	3226	3382	3544	3724	3916	4072	4270	4468
		4666	4972	5596	5980	6184	6388	6586	6790	6982
N74M1ATBC	Sewn-Tufted Back	2865	3047	3190	3338	3503	3679	3822	4004	4185
		4367	4647	5219	5571	5758	5945	6127	6314	6490
N74M1ASC	Horizon Back Stitch	2825	2981	3105	3233	3376	3528	3651	3808	3965
		4121	4364	4858	5162	5323	5485	5641	5803	5955
<b>U-LEG WOOD</b>										
N74M1AUW	Non-Tufted	\$ 2950	3106	3230	3358	3501	3653	3776	3933	4090
		4246	4489	4983	5287	5448	5610	5766	5928	6080
N74M1ATUW	Sewn-Tufted Back and Seat	3289	3487	3643	3805	3985	4177	4333	4531	4729
		4927	5233	5857	6241	6445	6649	6847	7051	7243
N74M1ATBUW	Sewn-Tufted Back	3126	3308	3451	3599	3764	3940	4083	4265	4446
		4628	4908	5480	5832	6019	6206	6388	6575	6751
N74M1ASUW	Horizon Back Stitch	3086	3242	3366	3494	3637	3789	3912	4069	4226
		4382	4625	5119	5423	5584	5746	5902	6064	6216
<b>U-LEG METAL</b>										
N74M1AUM	Non-Tufted	\$ 3015	3171	3295	3423	3566	3718	3841	3998	4155
		4311	4554	5048	5352	5513	5675	5831	5993	6145
N74M1ATUM	Sewn-Tufted Back and Seat	3355	3553	3709	3871	4051	4243	4399	4597	4795
		4993	5299	5923	6307	6511	6715	6913	7117	7309
N74M1ATBUM	Sewn-Tufted Back	3192	3374	3517	3665	3830	4006	4149	4331	4512
		4694	4974	5546	5898	6085	6272	6454	6641	6817
N74M1ASUM	Horizon Back Stitch	3152	3308	3432	3560	3703	3855	3978	4135	4292
		4448	4691	5185	5489	5650	5812	5968	6130	6282

**DIMENSIONS**

Width	30%	Seat Width	24	Weight	83
Depth	32%	Seat Depth	21½	Cubic Ft.	23.5
Height	26%	Seat Height	16%		

- Contrasting fabric option - specify X (i.e. N74M1AX); see page 642. For list pricing, use your electronic specification tool or contact customer service
- Sewn tufted detail on stripes and large patterns are not recommended, as the fabric will appear distorted or wavy across the back and seat

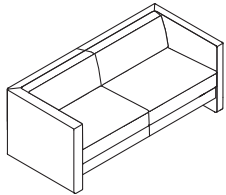
# TELLARO

## TO ORDER, SPECIFY:

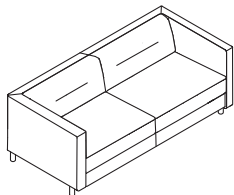
1. Model Number
2. Fabric Grade / Cover Number
3. Metal / Wood Leg Finish

- See page 641 for Tellaro options
- See pages 646-647 for COM fabric yardage

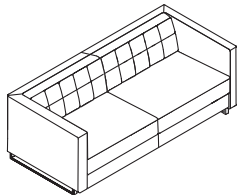
### 2½ SEAT LOUNGE



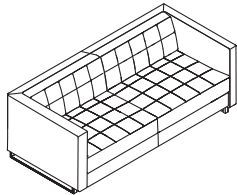
Fully Upholstered Leg  
Non-Tufted



Cylinder Leg  
Horizon Back Stitch



U-Leg Wood  
Tufted Back



U-Leg Metal  
Tufted Seat and Back

### MODEL NO.

### ALLIANCE PROGRAM PRICE GRADES

		A	B	C	D	E	F	G	H	I
		J	K	L	M	N	O	P	Q	R
<b>FULLY UPHOLSTERED LEG</b>										
N74M2A	Non-Tufted	\$ 3893	4196	4436	4684	4960	5254	5494	5797	6101
		6404	6874	7830	8419	8732	9045	9348	9661	9956
N74M2AT	Sewn-Tufted Back and Seat	4380	4733	5011	5300	5621	5963	6242	6595	6948
		7301	7847	8959	9644	10008	10372	10725	11089	11431
N74M2ATB	Sewn-Tufted Back	4118	4435	4685	4944	5232	5539	5789	6106	6422
		6739	7229	8227	8842	9168	9494	9811	10138	10445
N74M2AS	Horizon Back Stitch	4097	4400	4640	4888	5164	5458	5698	6001	6305
		6608	7078	8034	8623	8936	9249	9552	9865	10160
<b>CYLINDER LEG</b>										
N74M2AC	Non-Tufted	\$ 4187	4471	4695	4927	5185	5460	5684	5968	6251
		6535	6974	7868	8419	8711	9003	9287	9580	9855
N74M2ATC	Sewn-Tufted Back and Seat	4670	5000	5260	5530	5830	6150	6410	6740	7070
		7400	7910	8950	9590	9930	10270	10600	10940	11260
N74M2ATBC	Sewn-Tufted Back	4439	4753	5000	5256	5541	5845	6092	6406	6719
		7033	7517	8505	9113	9436	9759	10073	10396	10700
N74M2ASC	Horizon Back Stitch	4390	4674	4898	5130	5388	5663	5887	6171	6454
		6738	7177	8071	8622	8914	9206	9490	9783	10058
<b>U-LEG WOOD</b>										
N74M2AUW	Non-Tufted	\$ 4448	4732	4956	5188	5446	5721	5945	6229	6512
		6796	7235	8129	8680	8972	9264	9548	9841	10116
N74M2ATUW	Sewn-Tufted Back and Seat	4931	5261	5521	5791	6091	6411	6671	7001	7331
		7661	8171	9211	9851	10191	10531	10861	11201	11521
N74M2ATBUW	Sewn-Tufted Back	4699	5013	5260	5516	5801	6105	6352	6666	6979
		7293	7777	8765	9373	9696	10019	10333	10656	10960
N74M2ASUW	Horizon Back Stitch	4650	4934	5158	5390	5648	5923	6147	6431	6714
		6998	7437	8331	8882	9174	9466	9750	10043	10318
<b>U-LEG METAL</b>										
N74M2AUM	Non-Tufted	\$ 4513	4797	5021	5253	5511	5786	6010	6294	6577
		6861	7300	8194	8745	9037	9329	9613	9906	10181
N74M2ATUM	Sewn-Tufted Back and Seat	4996	5326	5586	5856	6156	6476	6736	7066	7396
		7726	8236	9276	9916	10256	10596	10926	11266	11586
N74M2ATBUM	Sewn-Tufted Back	4765	5079	5326	5582	5867	6171	6418	6732	7045
		7359	7843	8831	9439	9762	10085	10399	10722	11026
N74M2ASUM	Horizon Back Stitch	4716	5000	5224	5456	5714	5989	6213	6497	6780
		7064	7503	8397	8948	9240	9532	9816	10109	10384

### DIMENSIONS

Width	67%	Seat Width	60	Weight	135
Depth	32%	Seat Depth	21½	Cubic Ft.	49.1
Height	26%	Seat Height	16%		

- Contrasting fabric option - specify X (i.e. N74M2AX); see page 642. For list pricing, use your electronic specification tool or contact customer service
- Sewn tufted detail on stripes and large patterns are not recommended, as the fabric will appear distorted or wavy across the back and seat

**TO ORDER, SPECIFY:**

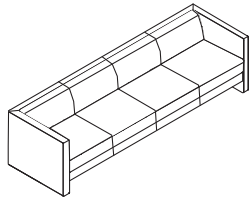
1. Model Number
2. Fabric Grade / Cover Number
3. Metal / Wood Leg Finish

- See page 641 for Tellaro options
- See pages 646-647 for COM fabric yardage

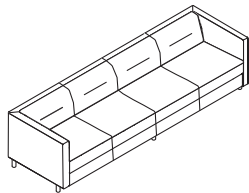
**4 SEAT LOUNGE**

**MODEL NO.**

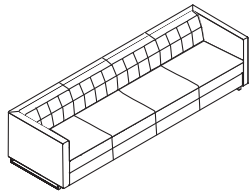
**ALLIANCE PROGRAM PRICE GRADES**



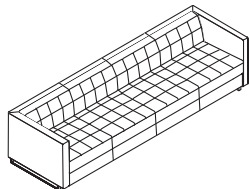
Fully Upholstered Leg  
Non-Tufted



Cylinder Leg  
Horizon Back Stitch



U-Leg Wood  
Tufted Back



U-Leg Metal  
Tufted Seat and Back

			A	B	C	D	E	F	G	H	I
			J	K	L	M	N	O	P	Q	R
<b>FULLY UPHOLSTERED LEG</b>											
N74M4A	Non-Tufted	\$	5652	6035	6337	6650	6998	7369	7671	8054	8436
			8819	9411	10617	11360	11754	12148	12531	12926	13297
N74M4AT	Sewn-Tufted Back and Seat		6455	6996	7422	7865	8357	8882	9308	9849	10391
			10932	11768	13474	14523	15081	15639	16180	16737	17262
N74M4ATB	Sewn-Tufted Back		6067	6537	6907	7292	7720	8176	8546	9016	9487
			9957	10684	12166	13078	13562	14047	14517	15001	15457
N74M4AS	Horizon Back Stitch		5923	6306	6608	6921	7269	7640	7942	8325	8707
			9090	9682	10888	11631	12025	12419	12802	13197	13568
<b>CYLINDER LEG</b>											
N74M4AC	Non-Tufted	\$	5974	6275	6511	6757	7030	7321	7558	7858	8158
			8459	8923	9869	10452	10761	11070	11371	11680	11971
N74M4ATC	Sewn-Tufted Back and Seat		6778	7236	7598	7973	8390	8835	9196	9655	10114
			10572	11281	12727	13616	14089	14562	15020	15493	15938
N74M4ATBC	Sewn-Tufted Back		6390	6780	7086	7405	7759	8137	8443	8833	9222
			9612	10213	11441	12196	12597	12998	13388	13789	14166
N74M4ASC	Horizon Back Stitch		6244	6545	6781	7027	7300	7591	7828	8128	8428
			8729	9193	10139	10722	11031	11340	11641	11950	12241
<b>U-LEG WOOD</b>											
N74M4AUW	Non-Tufted	\$	6170	6471	6707	6953	7226	7517	7754	8054	8354
			8655	9119	10065	10648	10957	11266	11567	11876	12167
N74M4ATUW	Sewn-Tufted Back and Seat		6974	7432	7794	8169	8586	9031	9392	9851	10310
			10768	11477	12923	13812	14285	14758	15216	15689	16134
N74M4ATBUW	Sewn-Tufted Back		6587	6977	7283	7602	7956	8334	8640	9030	9419
			9809	10410	11638	12393	12794	13195	13585	13986	14363
N74M4ASUW	Horizon Back Stitch		6441	6742	6978	7224	7497	7788	8025	8325	8625
			8926	9390	10336	10919	11228	11537	11838	12147	12438
<b>U-LEG METAL</b>											
N74M4AUM	Non-Tufted	\$	6235	6536	6772	7018	7291	7582	7819	8119	8419
			8720	9184	10130	10713	11022	11331	11632	11941	12232
N74M4ATUM	Sewn-Tufted Back and Seat		7038	7496	7858	8233	8650	9095	9456	9915	10374
			10832	11541	12987	13876	14349	14822	15280	15753	16198
N74M4ATBUM	Sewn-Tufted Back		6653	7043	7349	7668	8022	8400	8706	9096	9485
			9875	10476	11704	12459	12860	13261	13651	14052	14429
N74M4ASUM	Horizon Back Stitch		6507	6808	7044	7290	7563	7854	8091	8391	8691
			8992	9456	10402	10985	11294	11603	11904	12213	12504

**DIMENSIONS**

Width	103½"	Seat Width	96½"	Weight	202.4
Depth	32"	Seat Depth	21½"	Cubic Ft.	74.8
Height	26"	Seat Height	16"		

- Contrasting fabric option - specify X (i.e. N74M4AX); see page 642. For list pricing, use your electronic specification tool or contact customer service
- Sewn tufted detail on stripes and large patterns are not recommended, as the fabric will appear distorted or wavy across the back and seat

# COM YARDAGE REQUIREMENTS

## COM YARDAGE REQUIREMENTS (54" WIDTH – CUT UP THE ROLL)

MODEL	RAILROADED Contact customer service 800-634-9510 for ydg requirements	NON DIRECTIONAL OR SOLID	1"-4" REPEAT	5"-11" REPEAT	12"-18" REPEAT	COL SQUARE FEET
			4" VERTICAL X 4" HORIZONTAL	11" VERTICAL X 11" HORIZONTAL	18" VERTICAL X 18" HORIZONTAL	
N74M1A		5.60	7.00	8.20	9.40	111
N74M1AX	Back	0.70	1.00	1.50	2.30	14
	Seat	0.80	1.50	2.00	2.90	16
	Upholstery	4.50	4.90	5.60	8.40	90
N74M1AT		6.80	8.00	9.00	10.20	136
N74M1ATX	Back	1.20	1.70	2.00	2.90	23
	Seat	1.40	1.70	2.50	3.30	27
	Upholstery	4.50	4.90	5.60	8.40	90
N74M1ATB		6.20	7.80	8.90	10.00	124
N74M1ATBX	Back	1.20	1.70	2.00	2.90	23
	Seat	0.80	1.50	2.00	2.90	16
	Upholstery	4.50	4.90	5.60	8.40	90
N74M1AUW, N74M1AC, N74M1AUM		4.80	6.50	8.00	9.50	94.7
N74M1AUWX, N74M1ACX, N74M1AUMX	Back	0.70	1.00	1.50	2.30	14
	Seat	0.80	1.50	2.00	2.90	16
	Upholstery	3.80	4.50	5.50	7.00	74.8
N74M1ATUW, N74M1ATC, N74M1ATUM		6.00	7.00	9.00	10.50	119
N74M1ATUWX, N74M1ATCX, N74M1ATUMX	Back	1.20	1.70	2.00	2.90	23
	Seat	1.40	1.70	2.50	3.30	27
	Upholstery	3.80	4.50	5.50	7.00	74.8
N74M1ATBUW, N74M1ATBC, N74M1ATBUM		5.50	7.00	8.50	10.00	109.1
N74M1ATBUWX, N74M1ATBCX, N74M1ATBUMX	Back	1.20	1.70	2.00	2.90	23
	Seat	0.80	1.50	2.00	2.90	16
	Upholstery	3.80	4.50	5.50	7.00	74.8
N74M1ASUW, N74M1ASC, N74M1ASUM		4.80	6.50	7.80	9.00	94.1
N74M1ASUWX, N74M1ASCX, N74M1ASUMX	Back	0.80	1.00	1.50	1.80	15.5
	Seat	0.80	1.50	2.00	2.90	16
	Upholstery	3.80	4.50	5.50	7.00	74.8
N74M1AS		5.50	7.00	8.50	9.00	108.5
N74M1SAX	Back	0.80	1.00	1.50	1.80	15.5
	Seat	0.80	1.50	2.00	2.90	16
	Upholstery	4.50	4.90	5.60	8.40	90
N74M2A		9.50	10.50	12.90	14.50	189
N74M2AX	Back	1.60	1.90	2.50	4.90	31
	Seat	2.40	2.90	4.00	4.90	48
	Upholstery	5.80	6.50	7.20	8.70	115
N74M2AT		11.00	12.00	14.00	16.50	219
N74M2ATX	Back	2.70	3.00	3.90	5.90	53
	Seat	2.80	3.30	4.30	5.80	55
	Upholstery	5.80	6.50	7.20	8.70	115
N74M2ATB		10.60	11.90	14.00	16.00	211
N74M2ATBX	Back	2.70	3.00	3.90	5.90	53
	Seat	2.40	2.90	4.00	4.90	48
	Upholstery	5.80	6.50	7.20	8.70	115
N74M2AUW, N74M2AC, N74M2AUM		8.60	10.00	12.00	15.00	171.1
N74M2AUWX, N74M2ACX, N74M2AUMX	Back	1.60	1.90	2.50	4.90	31
	Seat	2.40	2.90	4.00	4.90	48
	Upholstery	4.90	5.50	7.00	10.00	95.8
N74M2ATUW, N74M2ATC, N74M2ATUM		10.00	11.50	14.00	16.50	199.3
N74M2ATUWX, N74M2ATCX, N74M2ATUMX	Back	2.70	3.00	3.90	5.90	53
	Seat	2.80	3.30	4.30	5.80	55
	Upholstery	4.90	5.50	7.00	10.00	95.8
N74M2ATBUW, N74M2ATBC, N74M2ATBUM		9.60	11.00	13.00	15.50	190.4



## COM YARDAGE REQUIREMENTS

### COM YARDAGE REQUIREMENTS (54" WIDTH – CUT UP THE ROLL)

MODEL	RAILROADED Contact customer service 800-634-9510 for ydg requirements	NON DIRECTIONAL OR SOLID	1"-4" REPEAT	5"-11" REPEAT	12"-18" REPEAT	COL SQUARE FEET
			4" VERTICAL X 4" HORIZONTAL	11" VERTICAL X 11" HORIZONTAL	18" VERTICAL X 18" HORIZONTAL	
N74M2ATBUWX, N74M2ATBCX, N74M2ATBUMX	Back	2.70	3.00	3.90	5.90	53.0
	Seat	2.40	2.90	4.00	4.90	48.0
	Upholstery	4.90	5.50	7.00	10.00	95.8
N74M2ASUW, N74M2ASC, N74M2ASUM		8.40	10.00	11.50	13.50	167.2
N74M2ASUWX, N74M2ASCX, N74M2ASUMX	Back	1.50	2.00	2.50	4.00	29.9
	Seat	2.40	2.90	4.00	4.90	48.0
	Upholstery	4.90	5.50	7.00	10.00	95.8
N74M2AS		9.50	11.00	13.00	14.00	188.8
N74M2ASX	Back	1.50	2.00	2.50	4.00	29.9
	Seat	2.40	2.90	4.00	4.90	48.0
	Upholstery	5.80	6.50	7.20	8.70	115.0
N74M4A		10.00	17.00	21.00	25.20	198
N74M4AX	Back	2.10	3.30	4.40	6.70	42
	Seat	2.80	4.60	7.50	9.00	56
	Upholstery	6.60	9.00	10.20	10.80	132
N74M4AT		14.90	20.40	23.80	29.00	297
N74M4ATX	Back	4.40	5.50	7.00	9.00	88
	Seat	4.90	6.00	8.00	10.80	97
	Upholstery	6.60	9.00	10.20	10.80	132
N74M4ATB		12.80	19.30	23.70	27.00	255
N74M4ATBX	Back	4.40	5.50	7.00	9.00	88
	Seat	2.80	4.60	7.50	9.00	56
	Upholstery	6.60	9.00	10.20	10.80	132
N74M4AUW, N74M4AC, N74M4AUM		9.10	16.00	20.50	25.00	179.9
N74M4AUWX, N74M4ACX, N74M4AUMX	Back	2.10	3.30	4.40	6.70	42.0
	Seat	2.80	4.60	7.50	9.00	56.0
	Upholstery	5.50	8.00	10.00	12.00	109.6
N74M4ATUW, N74M4ATC, N74M4ATUM		14.00	19.00	24.00	28.50	277.3
N74M4ATUWX, N74M4ATCX, N74M4ATUMX	Back	4.40	5.50	7.00	9.00	88.0
	Seat	4.90	6.00	8.00	10.80	97.0
	Upholstery	5.50	8.00	10.00	12.00	109.6
N74M4ATBUW, N74M4ATBC, N74M4ATBUM		11.90	18.50	23.50	25.00	235.3
N74M4ATBUWX, N74M4ATBCX, N74M4ATBUMX	Back	4.40	5.50	7.00	9.00	88.0
	Seat	2.80	4.60	7.50	9.00	56.0
	Upholstery	5.50	8.00	10.00	12.00	109.6
N74M4ASUW, N74M4ASC, N74M4ASUM		8.90	15.50	19.00	22.00	176.0
N74M4ASUWX, N74M4ASCX, N74M4ASUMX	Back	2.20	3.50	4.30	5.00	43.2
	Seat	2.80	4.60	7.50	9.00	56.0
	Upholstery	5.50	8.00	10.00	12.00	109.6
N74M4AS		10.00	17.00	21.00	22.00	197.6
N74M4ASX	Back	2.20	3.50	4.30	5.00	43.2
	Seat	2.80	4.60	7.50	9.00	56.0
	Upholstery	6.60	9.00	10.20	10.80	132.0

