

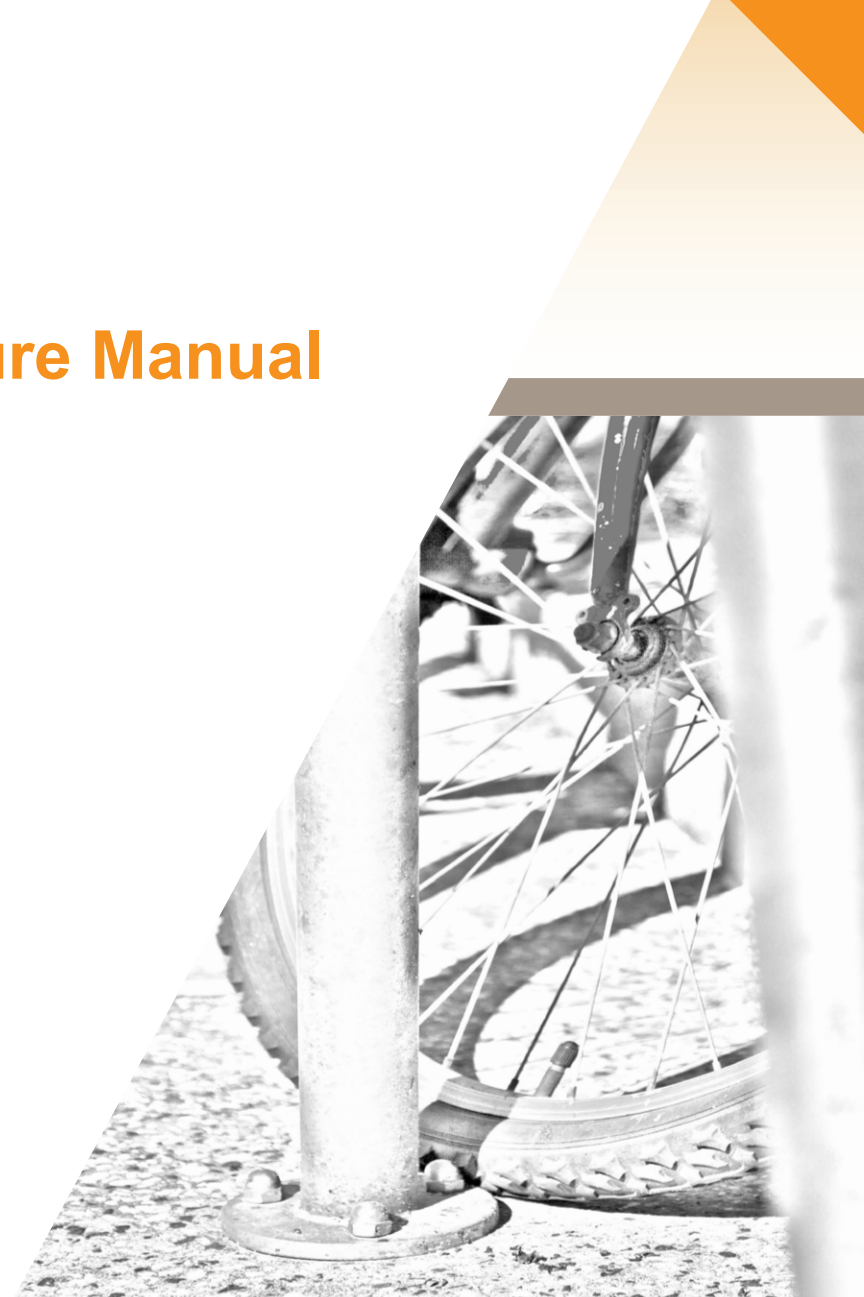
# Sunshine Coast Open Space Landscape Infrastructure Manual

## Bicycle racks and rails

Technical drawings	(DWGS)
1.0 Overview .....	2
2.0 Technical drawing index .....	3
3.0 Technical drawings .....	4
BRR-01 (1of1) - Stainless steel bicycle hoop - bolt down / in-situ .....	4

Also see:

Information sheet	(INFO)
-------------------	--------



## 1.0 Overview

This category of the LIM has been developed to provide guidance for the design and construction of bicycle racks and rails.

The technical drawings section includes:

- **Technical drawing index**  
(list of embellishment information)
- **Technical detail drawings**  
(also available as individual PDF files).

Important notes:

- This resource does not try to replicate all of the provisions of Legislation, Australian Standards (AS) and corporate documentation in words and pictures, nor does it seek to define their requirements.
- It aims to draw attention to the fact that effectively applied technical requirements translate into desirable qualities for end users.
- Product design, manufacture and installation require an appropriately qualified professional to provide site specific solutions.


For further guidance see:

- *LIM Preliminaries*
- *LIM Paths, trails and tracks.*



## 2.0 Technical drawing index

Table 1: Bicycle racks and rails – Technical drawing index

Embellishment	Drawing (DWGS)	Product description	Product information										
			Product	Supplier	Supplier reference	Size	Materials	Fixings	Finish	System access	Other	Warranty	
N/A	N/A	further guidance	see Preliminaries - Cultural Heritage / Health and Safety / Environmental Management / Vegetation Management										
<p><b>Luminance contrast:</b> Please note product images depict samples of products only. Luminance contrast requirements refer to the product and the background against which it is installed.</p>													
	BRR-01 (1of1)	Stainless steel bicycle hoop	(a) BICYCLE HOOP - BOLT DOWN	CIVIQ Public-use Products (or equivalent)	BRU	Hoop: 800mm H x 870mm W (centres)  Bolt down base plate: 130mmØ x 5mm thick with 3no. 13mmØ holes	Hoop: 40ØNB (48.3mm O.D.) x 2.7mm wall thickness SS316 tube  Bolt down base plate: SS316 (3no. 13mmØ holes per plate)	Concrete fixing: Bolt down with SS316 hex-head Dynabolt (6no. x M10 threaded with M12 sleeve) with SS316 anti-vandal armour ring.  Other applications: fixings to be engineered to suit site.	SS316: No. 4 (satin brushed finish)	bolted down	N/A	2 years	
			(b) BICYCLE HOOP - IN-SITU			980mm H (800mm H Ex ground) x 870mm W (centres)	40ØNB (48.3mm O.D.) x 2.7mm wall thickness 316 SS tube.	In-situ fixing: SS316 tube in concrete footing with 11mmØ hole with footing pin					In-situ - no access
			(c) OPTIONAL SIGN PANEL			75mm H X 820mm L	SS316	Welded					N/A

Note:  
NB = nominal bore i.e. internal diameter of a pipe  
OD = outside diameter

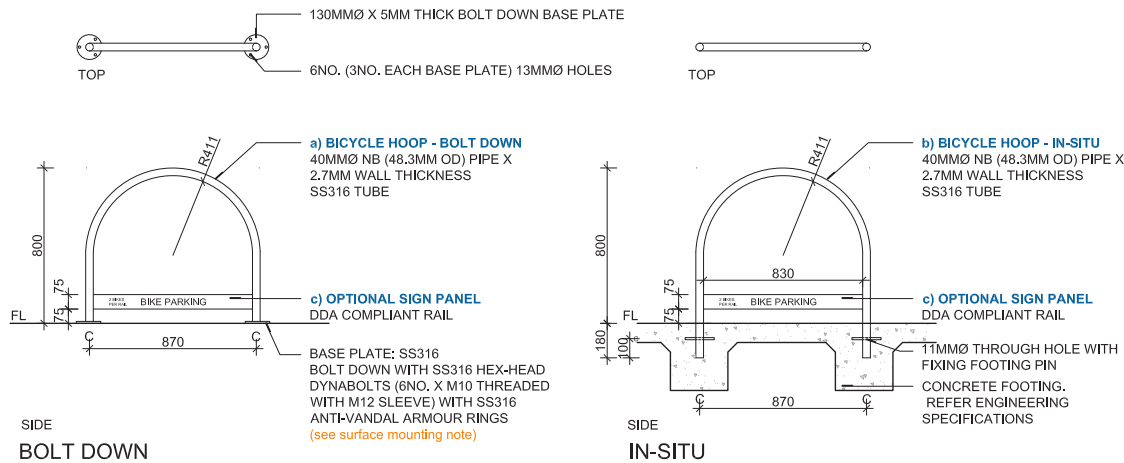
**Please note:**

- Bicycle hoops must be bolt down with SS316 hex-head Dynabolts (size to suit). SS316 anti vandal 'Armour rings' must be installed over the Dynabolt head.
- Acorn nuts, spike anchors, drive pins or shear nuts are NOT to be used.
- Refer manufacturer installation guide for current fixing recommendations, any discrepancies refer superintendent.

# 3.0 Technical drawings

If this page has been printed, it is out of date. © Sunshine Coast Regional Council 2009-Present. www.sunshinecoast.qld.gov.au

If this page has been printed, it is out of date. © Sunshine Coast Regional Council 2009-Present. www.sunshinecoast.qld.gov.au



**1** TYPICAL DETAIL - STAINLESS STEEL BICYCLE HOOP  
SCALE 1:20

**SURFACE MOUNTING NOTE (BOLT DOWN)**

- BICYCLE HOOPS MUST BE BOLT DOWN WITH SS316 HEX-HEAD DYNAMOLTS (SEE TO SUIT) SS316 ANTI-VANDAL ARMOUR RINGS MUST BE INSTALLED OVER THE DYNAMOLT HEAD.
- ACORN NUTS, SPIKE ANCHORS, DRIVE PINS OR SHEAR NUTS ARE NOT TO BE USED.

**PLEASE NOTE:**

- THESE DRAWINGS ARE A GUIDELINE ONLY AND ARE NOT FOR CONSTRUCTION.
- INDIVIDUAL SITE APPLICATIONS MAY REQUIRE AMENDMENT AND CERTIFICATION BY OTHERS.
- FINISHES AND FINISHES - REFER TO TECHNICAL DRAWING BOOK AND SPECIFICATIONS.
- THE DRAWING HAS BEEN PROVIDED BY THE NOMINATED MANUFACTURER; PLEASE REFER TO THE MANUFACTURER FOR CURRENT DRAWINGS SPECIFICATIONS AND INSTALLATION DETAILS. THE TECHNICAL DRAWING PROVIDED MUST NOT BE ALTERED WITHOUT THE CONSENT OF THE MANUFACTURER AND IT MUST BE USED WITH THE ACKNOWLEDGMENT OF THE MANUFACTURER AS PER THEIR COPYRIGHT AGREEMENT.

(OR EQUIVALENT)



CIVIQ Public-use Products \*

(a) BICYCLE HOOP - BOLT DOWN



CIVIQ Public-use Products \*

(b) BICYCLE HOOP - IN-SITU



CIVIQ Public-use Products \*

(c) OPTIONAL SIGN PANEL

OPEN SPACE LANDSCAPE INFRASTRUCTURE MANUAL (LIM)



**Bicycle Racks and Rails**  
Stainless steel bicycle hoop - bolt down / in-situ

Issue date March 2019  
Scale 1:20 @ A3

**BRR-01**  
1 OF 1

← Click to view separate technical drawing

**BRR-01 (1of1)** - Stainless steel bicycle hoop - bolt down / in-situ

## Sunshine Coast Open Space Landscape Infrastructure Manual DISCLAIMER

### Acknowledgements

Council wishes to thank all contributors and stakeholders involved in the development of this document.

### Copyright

Sunshine Coast Regional Council supports and encourages the distribution of its material however, copyright protects this document. Council has no objection to this material being reproduced but only if council is recognised as the owner of the copyright and this material remains unaltered.

### Disclaimer

Information contained in this document is based on available information at the time of writing. All figures and diagrams are intended as an aid to design and include council's preferred elements but they are not intended to be prescriptive and may need to vary as dictated by site specific factors. While the Sunshine Coast Regional Council has exercised reasonable care in preparing this document it does not warrant or represent that it is accurate or complete. Council or its officers accept no responsibility for any loss occasioned to any person acting or refraining from acting in reliance upon any material contained in this document.

This document is produced to convey general information and is not intended to constitute advice whether professional or legal.

Any reference to legislation in this document is not an interpretation of the law. It is to be used as a guide only. Consult relevant authority websites for current documents, revisions and amendments.

While every care has been taken in preparing the information in this document, Sunshine Coast Regional Council and its representatives accept no responsibility for decisions or actions taken as a result of any data, information, statement or advice, express or implied, contained within. The contents of this document were correct to the best of our knowledge at the time of publishing.

Where a particular product or supplier is profiled in this document, Sunshine Coast Regional Council is NOT nominating this product or supplier as the selected choice. Product or supplier detail is to provide information to enable the user to source a product which contains the correct elements required for Council embellishments. Drawings contained in this document are NOT FOR CONSTRUCTION.

Details in this document are deemed to be the minimum standard and the user may wish to apply a higher standard subject to approval by council.



[www.sunshinecoast.qld.gov.au](http://www.sunshinecoast.qld.gov.au)

[mail@sunshinecoast.qld.gov.au](mailto:mail@sunshinecoast.qld.gov.au)

T 07 5475 7272 F 07 5475 7277

Locked Bag 72 Sunshine Coast Mail Centre Qld 4560

