

KEY FEATURES

- 2 person capacity
- Red light/near infrared LED light panels
- Mid and far SoloCarbon® infrared heaters, proven 99% effective
- Patented SoloCarbon® 3 in 1 infrared heating technology
- 10-inch Android powered touchscreen with smart features
- 6 pre-set wellness programs
- Sunlighten mobile app to support your sauna lifestyle and wellness
- Wi-fi compatibility, Bluetooth connectivity and USB with high quality Blaupunkt speakers
- Exclusive Celliant infused heater covers to maximise infrared health benefits
- Chromotherapy to adjust body vibrations to frequencies that result in health and harmony
- Easy assembly using the Sunlighten patented Magne-seal™ system
- Residential five-year warranty (12 months parts & labour, plus 4 yrs parts & service support)
- Optional Outdoor cover available



PRE-SET PROGRAMS and ENTERTAINMENT OPTIONS with ANDROID TOUCH-SCREEN

- 6 pre-set wellness programs:



Detoxification



Pain relief



Weight loss



Anti ageing



Relaxation



Cardiovascular health

- Far-infrared for detoxification (core temp increase), blood pressure and cholesterol reduction and relaxation
- Mid-infrared for weight loss, pain relief and improved circulation (passive cardio workout)
- Near-infrared for cell health, complexion, wound healing and skin purification

PREMIUM TIMBER SELECTION

Our eco-friendly, 100% solid and non-toxic wood, is hand-selected and kiln-dried to add heat and moisture to keep the wood from cracking. We take pride in premium quality craftsmanship and robust construction to ensure we provide the highest quality and sustainable saunas on the market.



EUCALYPTUS [ENTIRE SAUNA]



EUCALYPTUS [EXTERIOR] & CANADIAN WESTERN RED CEDAR [INTERIOR]



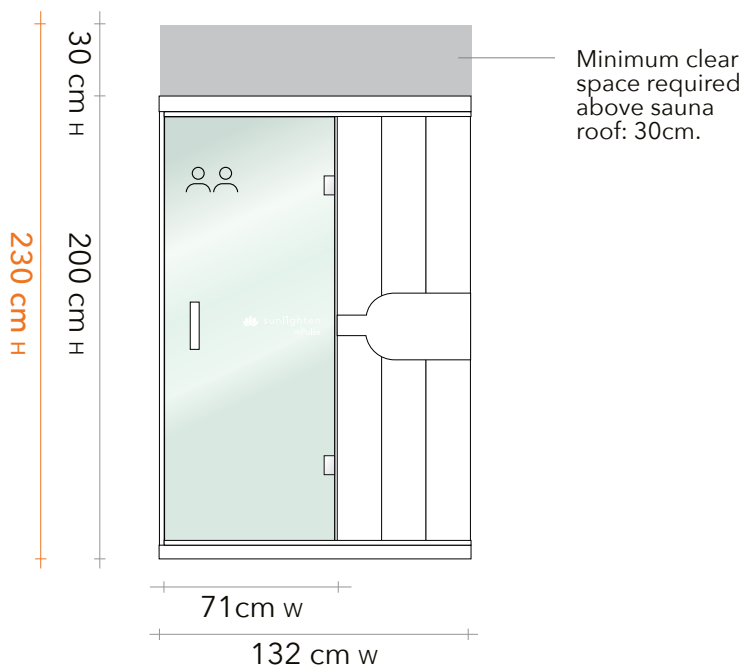
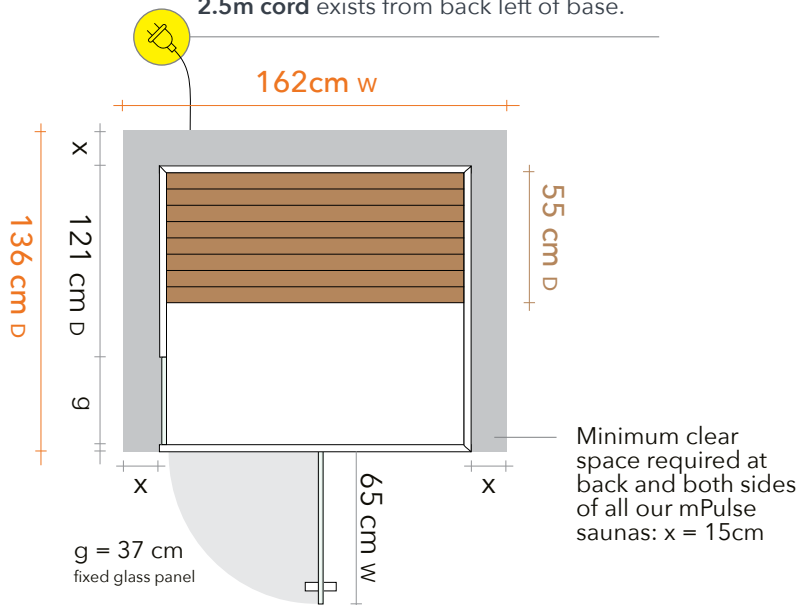
* HYPOALLERGENIC BASSWOOD [ENTIRE SAUNA]

* PLEASE NOTE: Available as special order only. Please discuss with our sales support team.

INFRARED HEATER PANELS

	Left Wall	Back Wall	Right Wall	Front Wall	Floor	Under Bench	TOTAL
FIR	1	2	1	1	1	0	6
MIR	1	2	1	1	0	0	5
NIR/Red light	1	2	1	0	0	0	4
						TOTAL	15

POWER REQUIREMENTS 240V, 2695 watts
Dedicated 15A circuit and 15A power socket protected by a 16A RCBO installed in the meter box.
 Minimum 1.5mm cable required for circuit;
2.5m cord exists from back left of base.



PRE-INSTALLATION CHECKLIST

It is important to ensure there is enough space through the doors and pathways to the sauna's location in your space. Please measure any access doorway or hallway prior to purchase for easy installation.

If your sauna is being installed in a tight space, talk to your sales representative to confirm installation is possible.

In addition, please ensure any electrical works are completed prior to delivery and installation of your Sunlighten sauna. Please locate the power outlet for easy access to turn the sauna on and off at the power source after installation.

PANELS

Roof panel	132cm W x 121cm H x 6.8cm D
Floor panel	132cm W x 121cm H x 6.8cm D
Front wall	128cm W x 183cm H x 7.1cm D
Back wall	127cm W x 183cm H x 7.1cm D
Right wall	118cm W x 183cm H x 7.1cm D
Left wall	115cm W x 183cm H x 7.1cm D
Glass door	71cm W x 175cm H x 0.8cm D
Side glass	34cm W x 177cm H x 0.8cm D
Bench	117cm W x 56cm H x 15cm D

ASSEMBLED

Exterior	132cm W x 200cm H* x 121cm D
Interior	117cm W x 181cm H x 107cm D
Bench	117cm W x 52cm H x 55cm D

* 5cm feet included

FLATPACK DIMENSIONS

PACK 1 [99kg]	143cm W x 195cm H x 25cm D
PACK 2 [88kg]	132cm W x 195cm H x 25cm D
PACK 3 [86kg]	135cm W x 146cm H x 37cm D

TOTAL WEIGHT: 273 KG



Your sauna will be delivered in three flat-packed boxes, and must be stored in a flat, dry area pending installation.