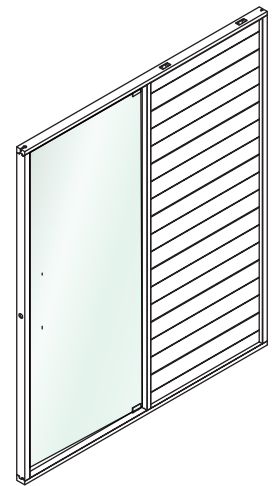
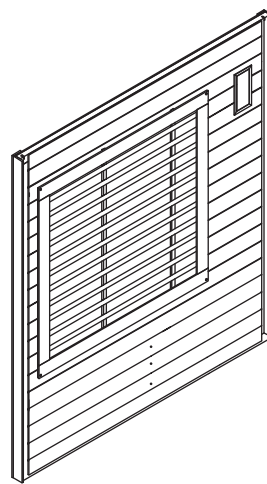
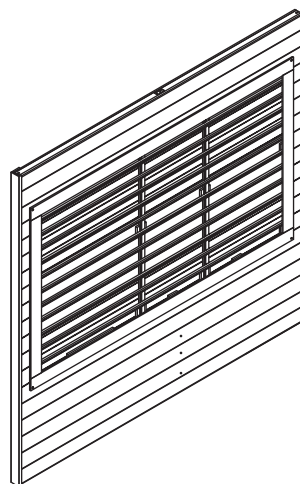
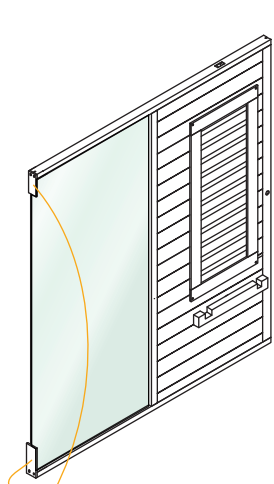


I 1x Left Wall with Glass Door

J 1x Back Wall

K 1x Right Wall

L 1x Front Wall with Glass door



secure plates before assembly - see STEP 3.

PRE-STEPS

You will want two or more people to assemble your sauna. Unpack each wall segment from the shipping material. Stage each wall segment in the room you will be assembling the unit.

If interested in viewing an assembly video, please visit youtube.com/sunlightensaunas. Click on Assembly/Disassembly playlist.



220–240V, 3207watts. Maximum amperage 10A. Sunlighten recommend all new installations adhere to AS3000 and a circuit that is RCD protected, along with a readily accessible switch. A 3m cord exists with a 15amp male plug, exiting back left of roof.

See USER MANUAL

** Failure to do so will void your sauna's warranty and customer will assume liability for any electrical damages to the sauna itself or the residence/business in which the sauna is installed.*

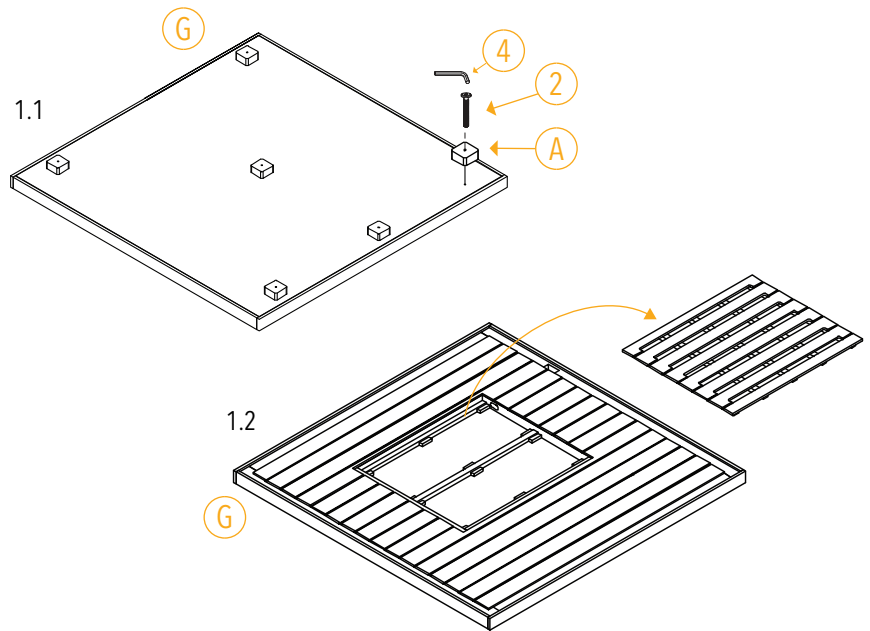
STEP 1

1.1 Attach the feet pegs (A) with supplied Allen wrench and bolts (2) to the underside of floor (G).

1.2 Cut the zip ties holding the floor grate; the fabric will adhere to the Velcro on the underside of the grate.

TIP: One side of the fabric adheres better.

NOTE: Make sure the floor panel is on a surface that is perfectly level and relatively smooth.



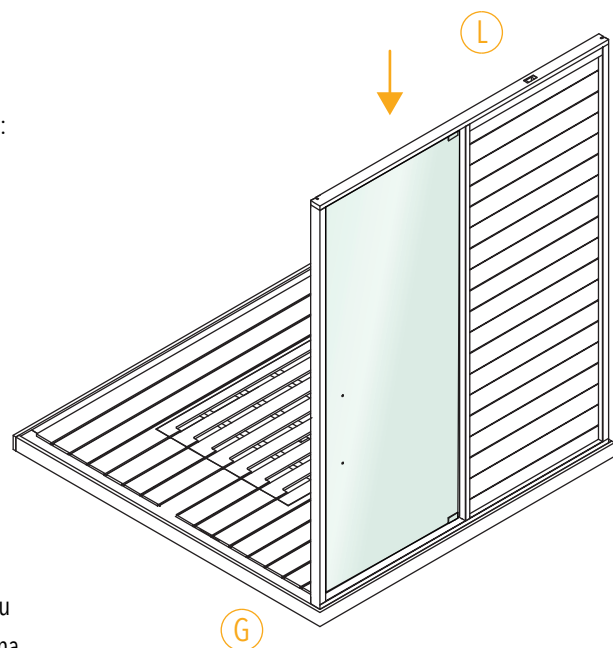
STEP 2

NOTE: Before you begin installing the walls, be sure you have at least:

Recommended 10cm between the sauna and the walls and a 30cm gap from the top of the sauna to the ceiling to allow for optimal air circulation and temperature performance and also to allow access for troubleshooting:

- Spacing above for assembly connections recommended and potential troubleshooting.
- Plan for outlet access in the event you need to reset outlet breaker.
- Recommended best practice to leave sauna door open post sauna session to allow for proper ventilation.

Place the back (L) wall on the back of the floor panel (G). Be sure you have two people assisting with this step. This is the side with the sauna information label on the bottom edge.



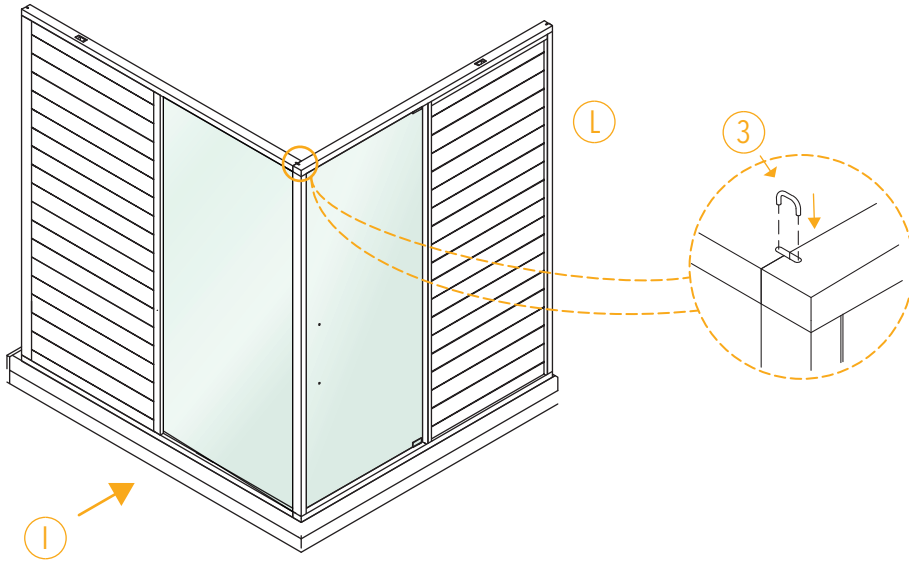
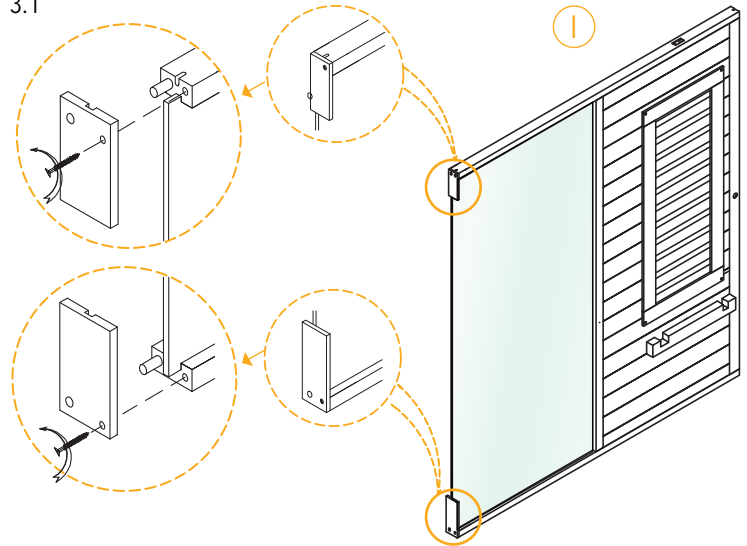
STEP 3

Secure plates to glass door (3.1) of left wall **I**.

Place left wall **I** on the left side of floor panel. This wall panel should sit flush once properly seated. Make sure no gaps are visible in the corner of the two walls as you insert it. It should be inserted flush.

As you insert each wall segment, you will insert the U-clips in the pre-drilled holes in the corner. This will keep the walls sealed together.

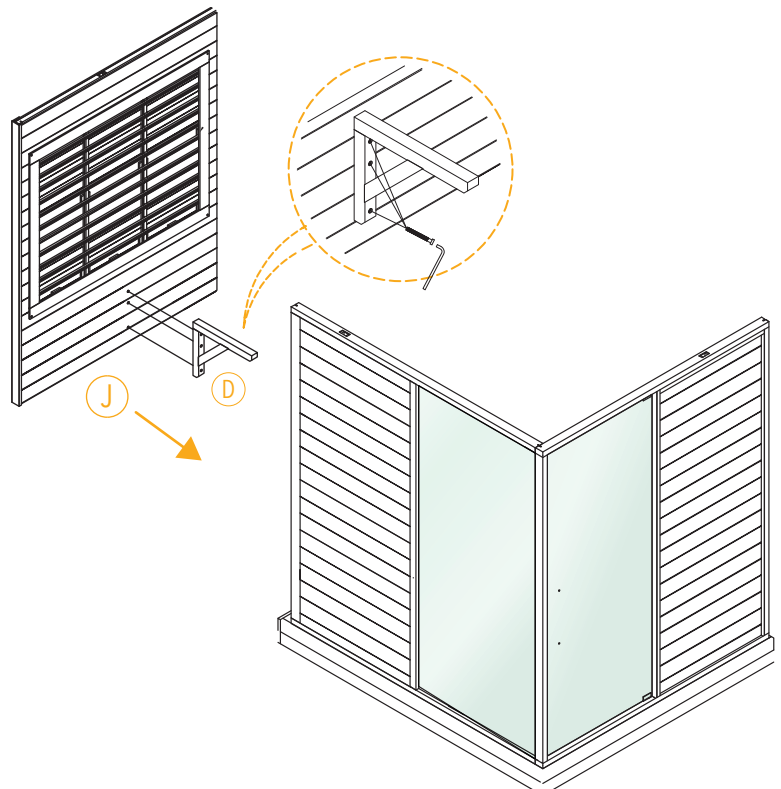
3.1



STEP 4

The next wall to insert will be the back wall **J**.

This wall will have three pre-drilled holes underneath the heater frames to insert one of the two bench supports **D**. Using the labeled bolt and Allen wrench, insert the support once the wall has been placed and a U-clip installed in the top corner of the left and back wall.

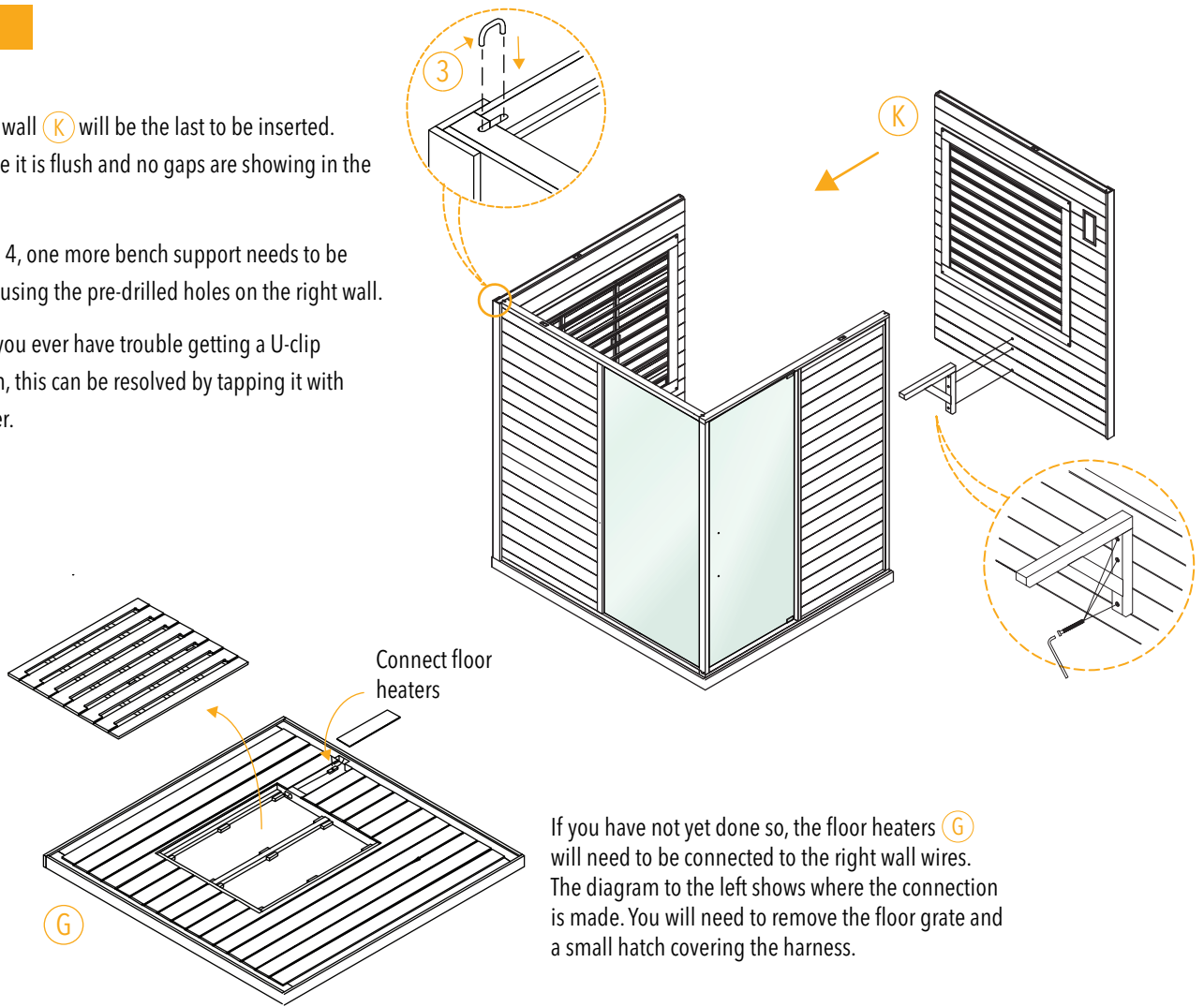


STEP 5

The right wall (K) will be the last to be inserted. Make sure it is flush and no gaps are showing in the corners.

Like STEP 4, one more bench support needs to be installed using the pre-drilled holes on the right wall.

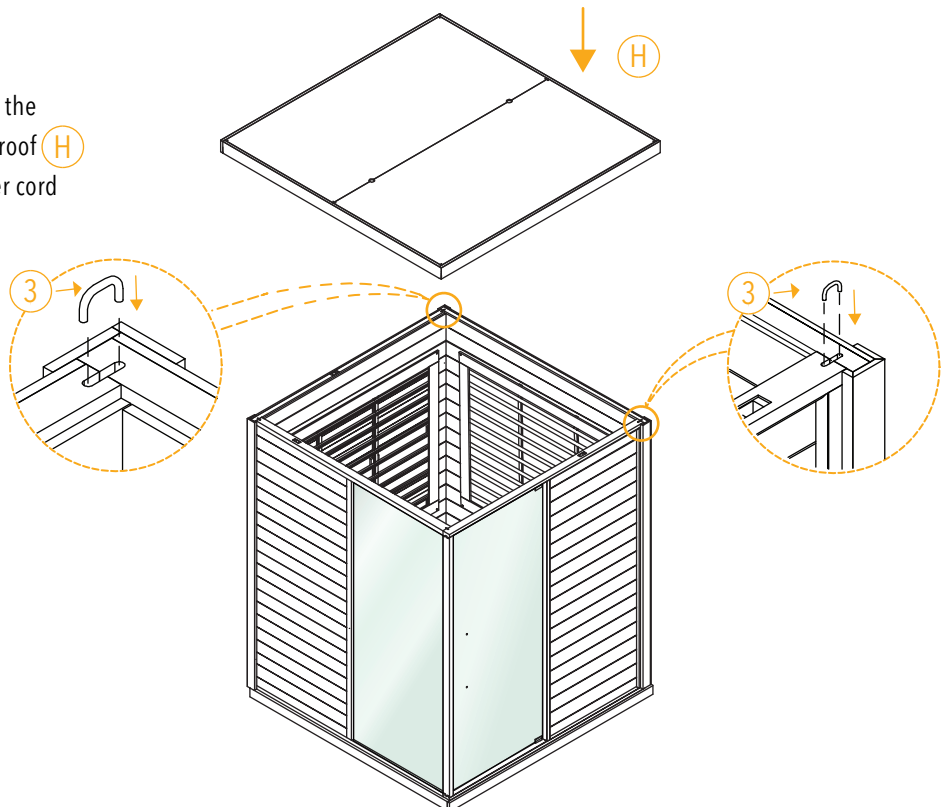
NOTE: If you ever have trouble getting a U-clip to slide in, this can be resolved by tapping it with a hammer.



If you have not yet done so, the floor heaters (G) will need to be connected to the right wall wires. The diagram to the left shows where the connection is made. You will need to remove the floor grate and a small hatch covering the harness.

STEP 6

Once all the U-clips have been inserted in the corners, the next step will be to place the roof (H) on top. Make sure the side the main power cord receptacle faces the back.



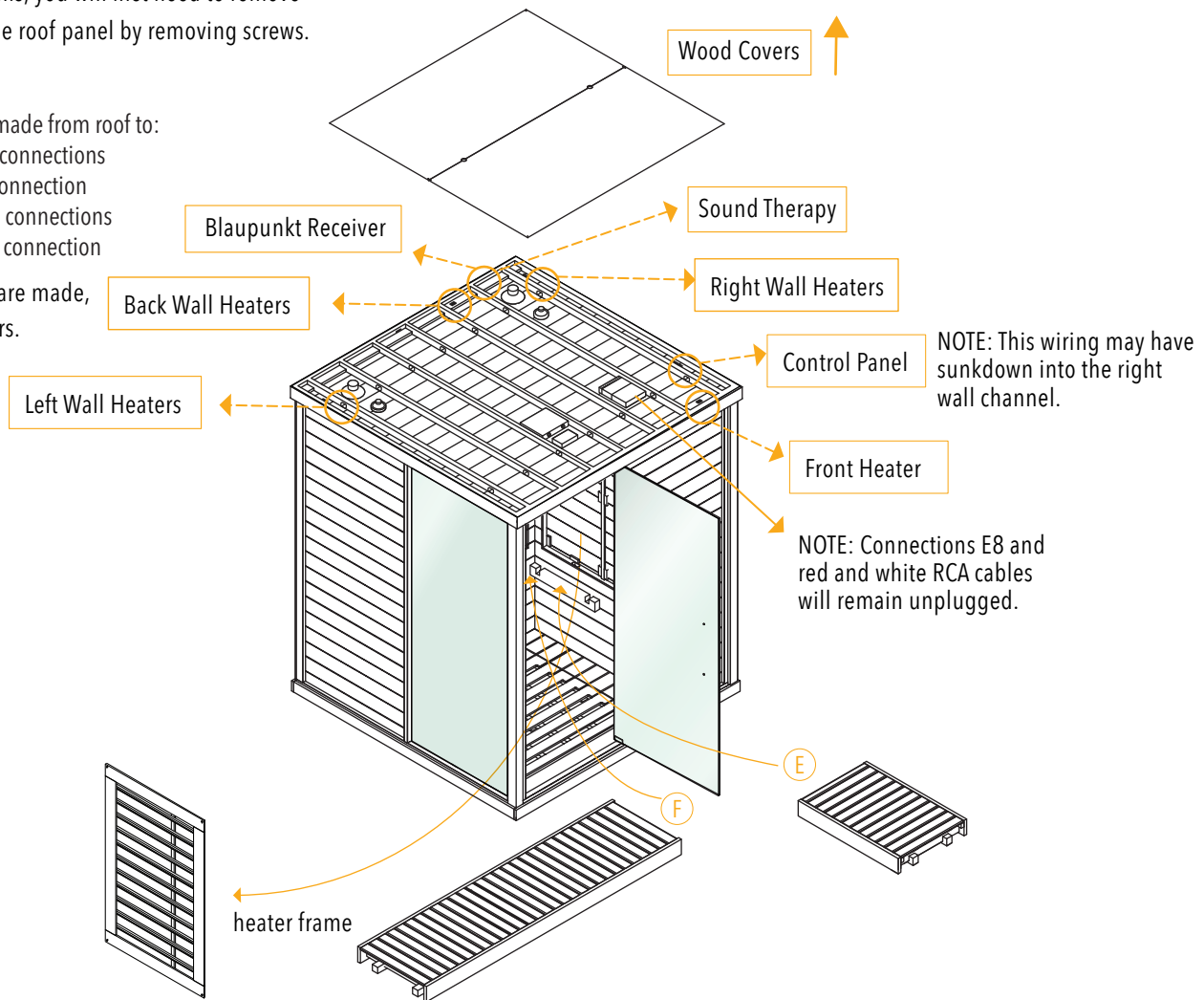
STEP 7

Please make all connections on roof of sauna as illustrated. To do this, you will first need to remove Wood covers on the roof panel by removing screws.

Connections to be made from roof to:

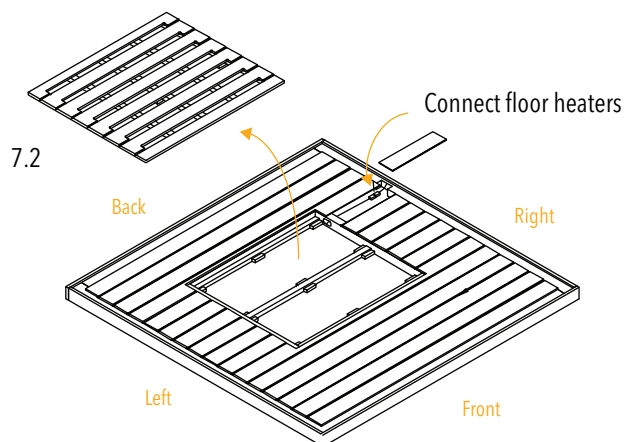
- Back wall = 2 connections
- Left wall = 1 connection
- Right wall = 2 connections
- Front wall = 1 connection

Once connections are made, replace wood covers.



The floor heaters will need to be connected to the right wall wires. The diagram to the right shows where the connection is made. You will need to remove the floor grate and a small hatch covering the harness (see illustration 7.2).

Before the two parts of the corner bench is placed, make sure the heater frames are taken out to allow the bench to be placed on its support. The large bench piece **F** will be inserted on the back wall, while the smaller bench **E** will be inserted last, on the right wall support.

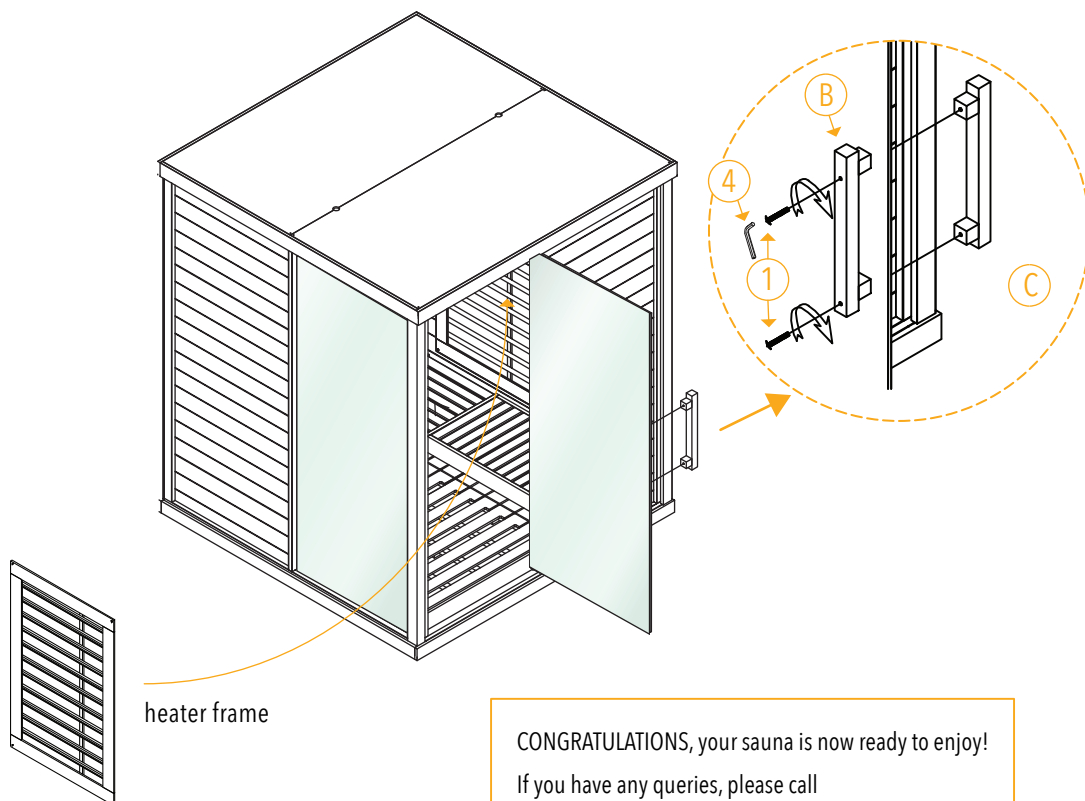


STEP 8

With the bench installed, the heater panel frames can be inserted back into their respective walls.

The door handles come with the hardware and can easily be screwed right in.

A second person should hold the handle while the other screws the bolts in with the Allen wrench. The Wood covers should also be replaced.



heater frame

CONGRATULATIONS, your sauna is now ready to enjoy!
If you have any queries, please call
Sunlighten Customer Support at 1800 786 544.