



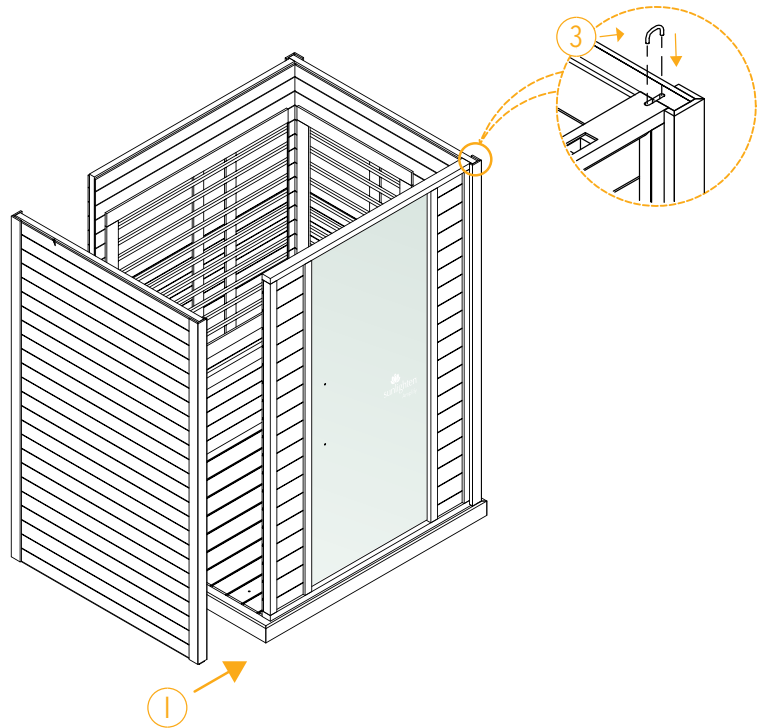




## STEP 5

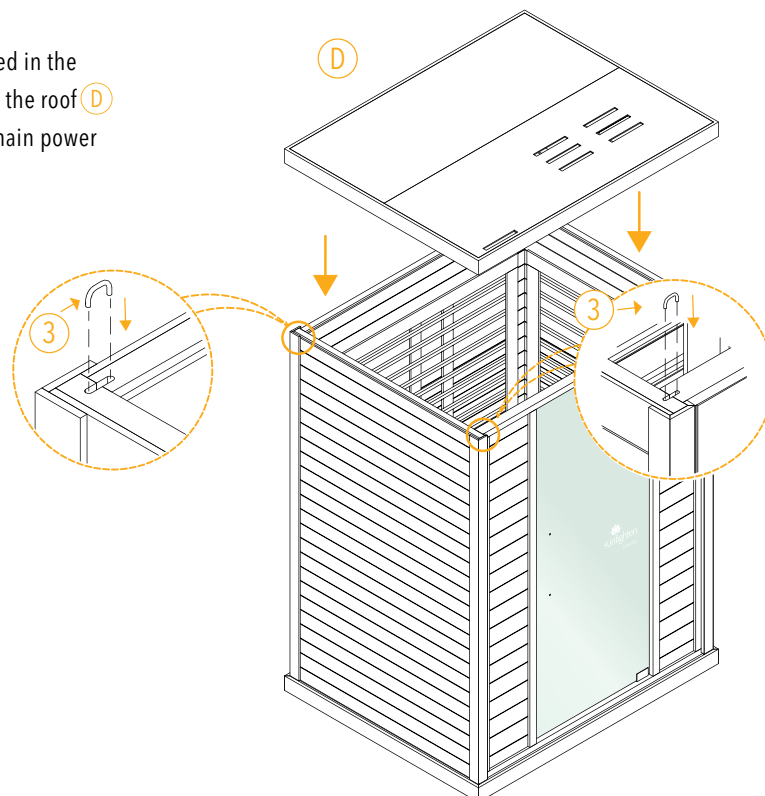
After securing the U-clip ③, the left wall ① will be the last to be inserted. Make sure it is flush and no gaps are showing in the corners.

NOTE: If you ever have trouble getting a U-clip to slide in, this can be resolved by tapping it with a hammer.



## STEP 6

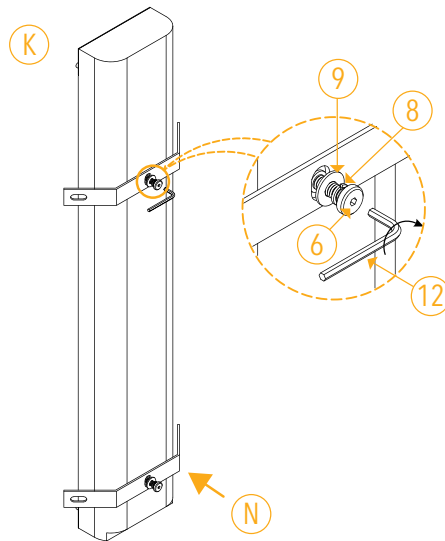
Once all the U-clips have been inserted in the corners, the next step will be to place the roof ④ on top. Make sure the side with the main power cord receptacle faces the back.





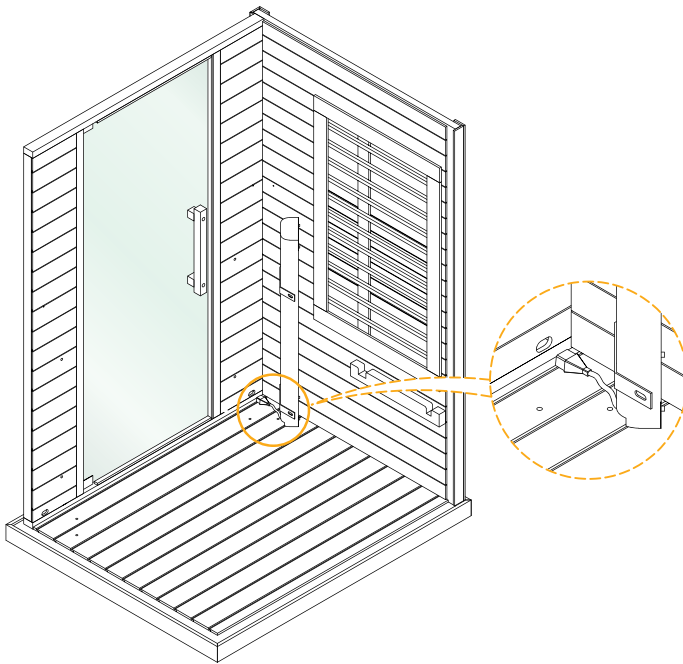
## STEP 9

Connect 2 brackets (N) to the back of the Full Spectrum heater (K).



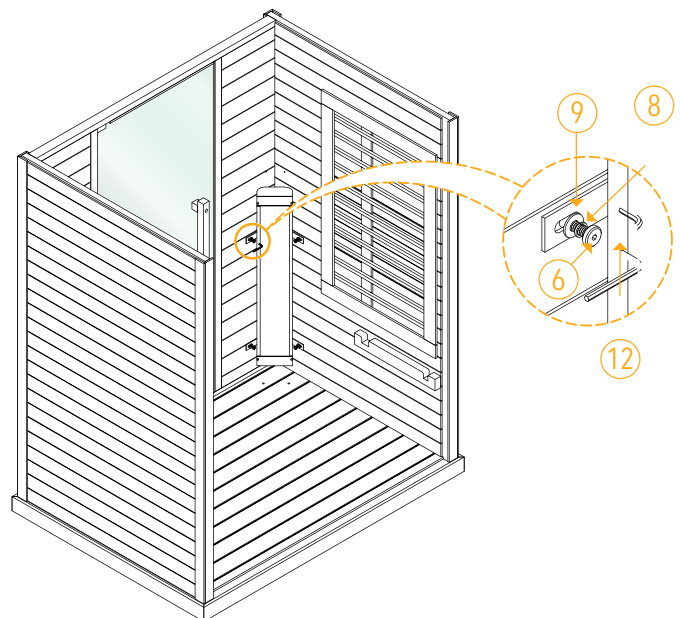
## STEP 10

Connect the cable at the base of the Full Spectrum heater (K) to the socket at the base of the inside front wall.



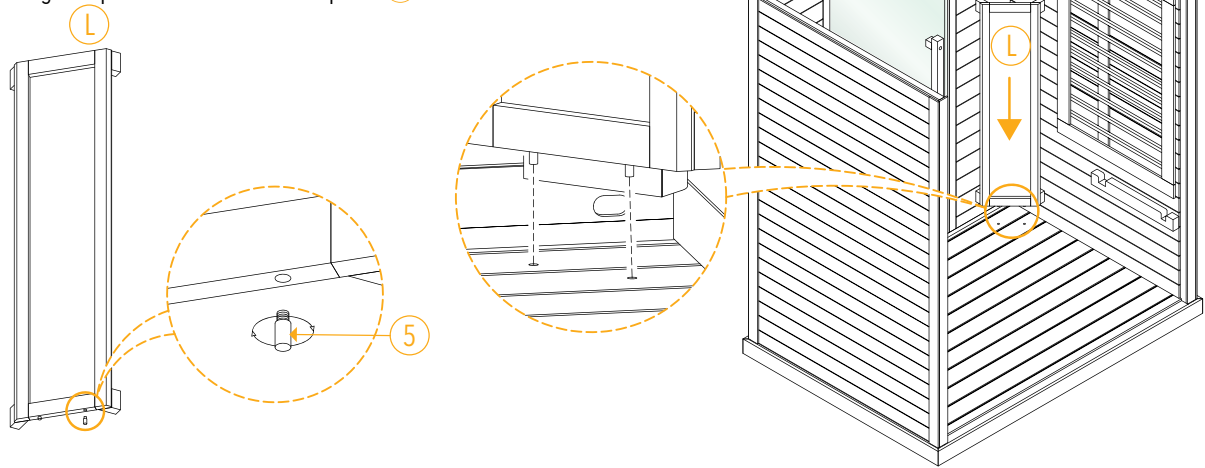
## STEP 11

Fix both brackets (N) attached to Full Spectrum heater (K) on either side of heater into pre-drilled holes on front right inside corner sauna walls. Repeat Steps 9-11 for the second FS Heater on front left inside corner sauna walls.



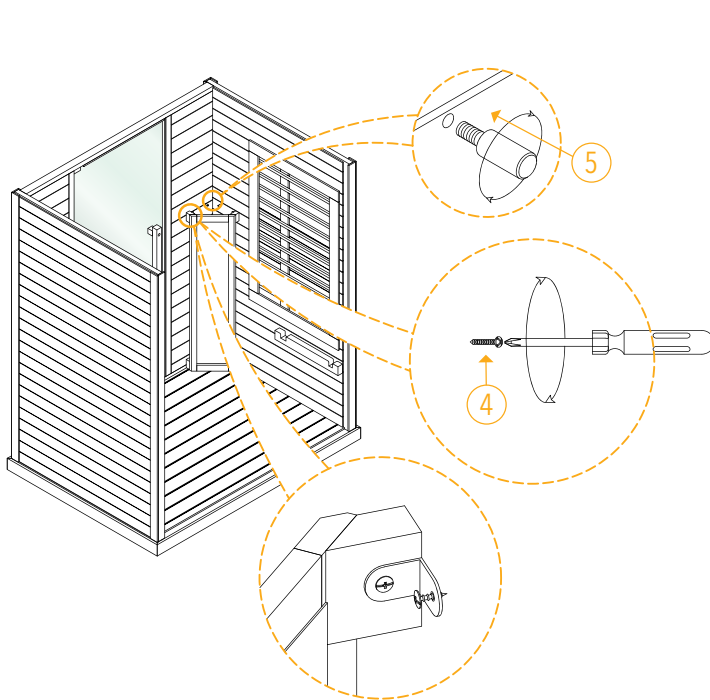
## STEP 12

Place FS Heater Cover (L) to the Full Spectrum heater by securing into pre-drilled holes in floor panel (K).



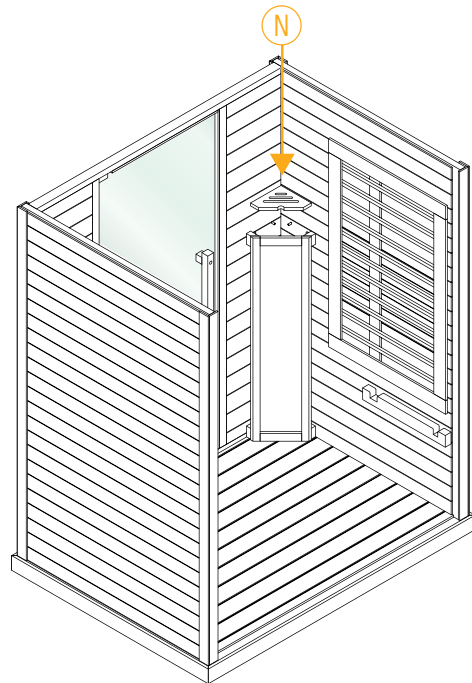
## STEP 13

Insert (5) into pre-drilled holes on walls for the FS heater top panel (N).  
Screw (4) into pre-drilled holes to secure brackets.



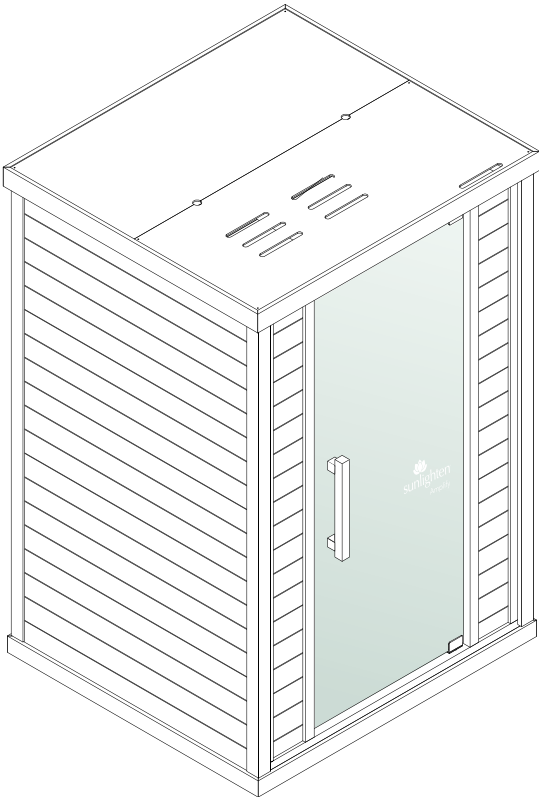
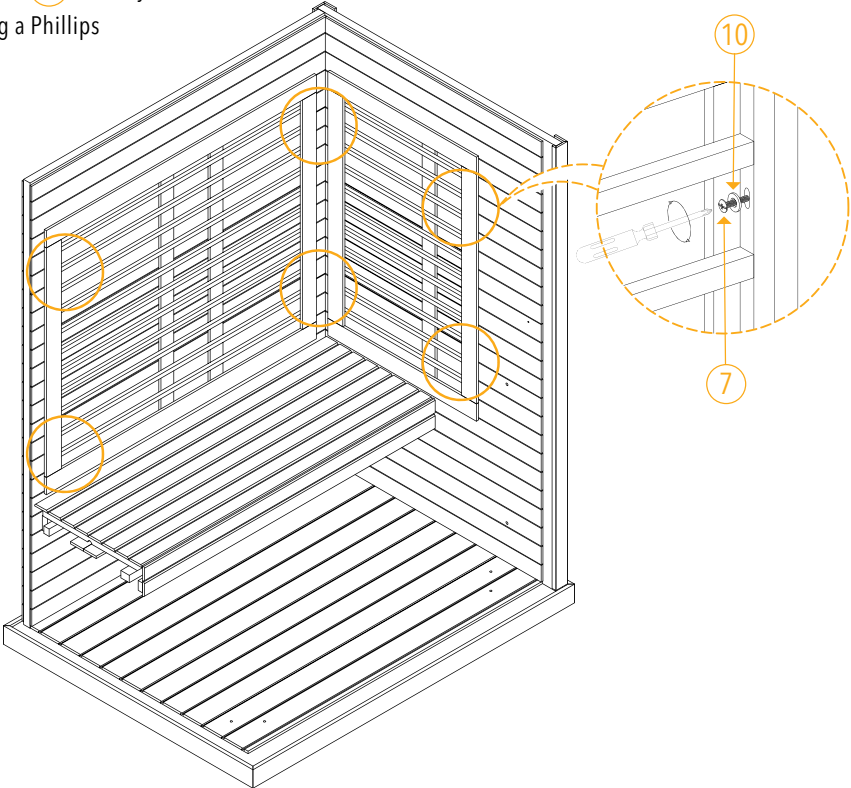
## STEP 14

Add FS heater top panel (N) to both FS heaters.



**STEP 15**

Make sure that screws **7** and washers **10** are fully secure in their pre-drilled holes using a Phillips screwdriver.



CONGRATULATIONS, your sauna is now ready to enjoy!  
If you have any questions, please call  
**Sunlighten Customer Support at 1-877-292-0020.**

04272022