

## PRE-STEPS

You will want two or more people to assemble your sauna.  
Unpack each wall segment from the shipping material. Stage each wall segment in the room you will be assembling the unit.



120V, 2006 W. Dedicated 20 A circuit,\* without GFCI or AFCI, and NEMA 5-20 power socket. 10 ft cord exists from back left of roof.

See USER MANUAL or spec sheet for additional specs.

\* Failure to do so will void your sauna's warranty and customer will assume liability for any electrical damages to the sauna itself or the residence/ business in which the sauna is installed.

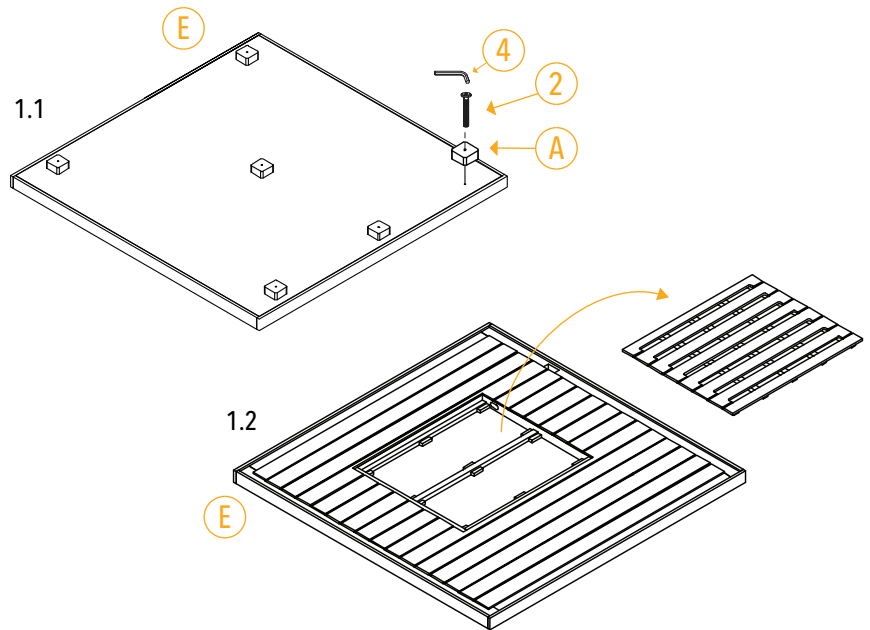
## STEP 1

1.1 Attach the feet pegs (A) with supplied Allen wrench and bolts (2) to the underside of floor (E).

1.2 Cut the zip ties holding the floor grate, .  
The fabric will adhere to the Velcro on the underside of the grate.

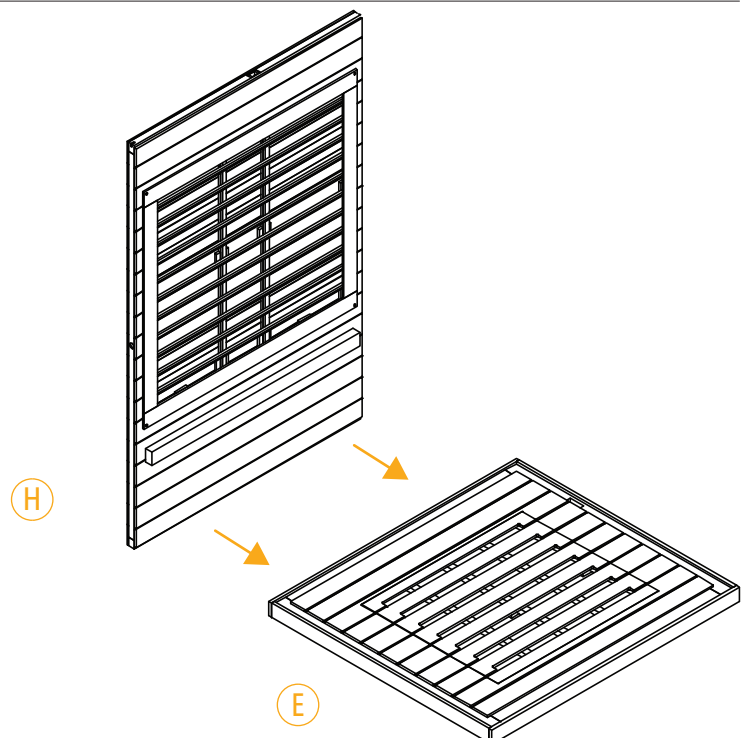
TIP: One side of the fabric adheres better

NOTE: Make sure the floor panel is on a surface that is perfectly level and relatively smooth.



## STEP 2

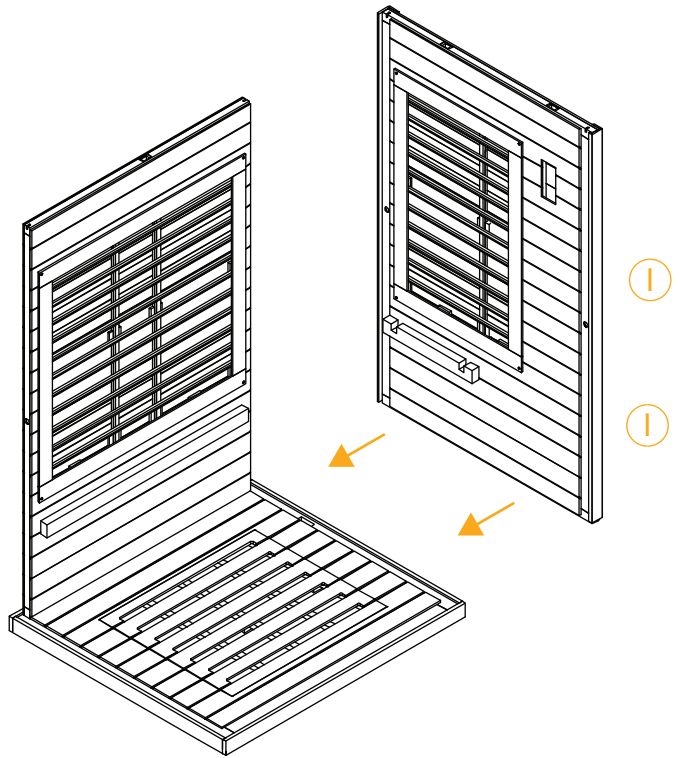
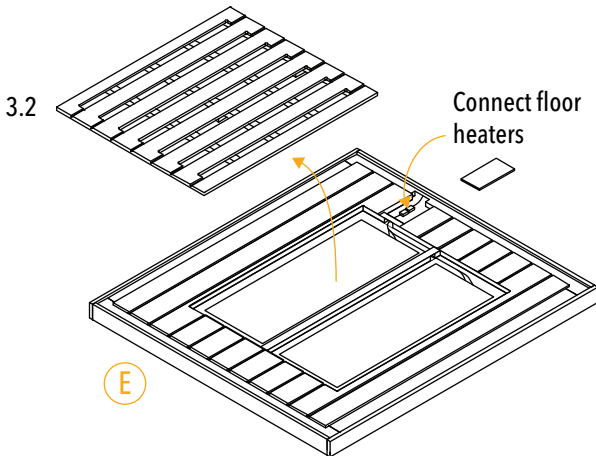
Place the back wall (H) on the back of the floor panel (E).  
Be sure you have two people assisting with this step.  
This is the side with the sauna information label on the bottom edge.



### STEP 3

Place right wall **I** on the right side of floor panel **E**. This wall panel should sit flush once properly seated. Make sure no gaps are visible in the corner of the two walls as you insert it. It should be inserted flush.

NOTE: The right wall of the sauna includes wire connections underneath which will lead into the floor panel (see illustration 3.2 below).

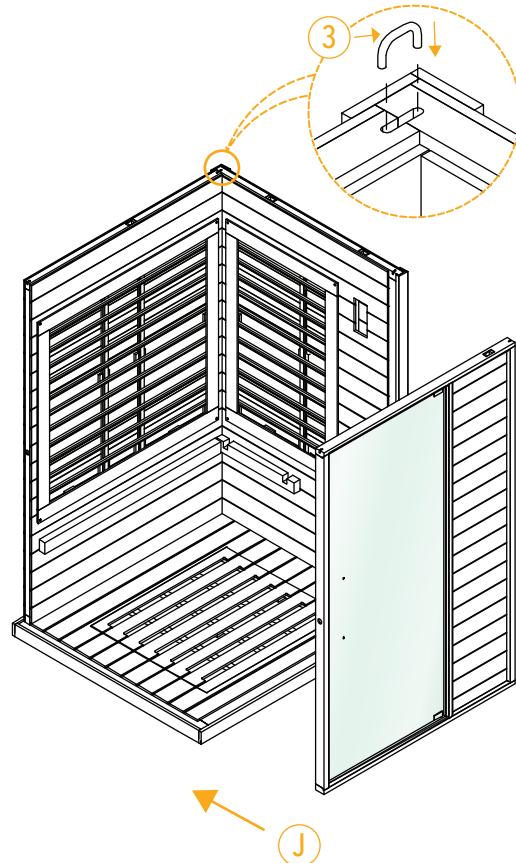


If you have not yet done so, the floor heaters will need to be connected to the right wall wires. The diagram to the left shows where the connection is made. You will need to remove the floor grate and a small hatch covering the harness.

### STEP 4

As you insert each wall segment, you will insert the U-clips **3** in the pre-drilled holes in the corner. This will keep the walls sealed together.

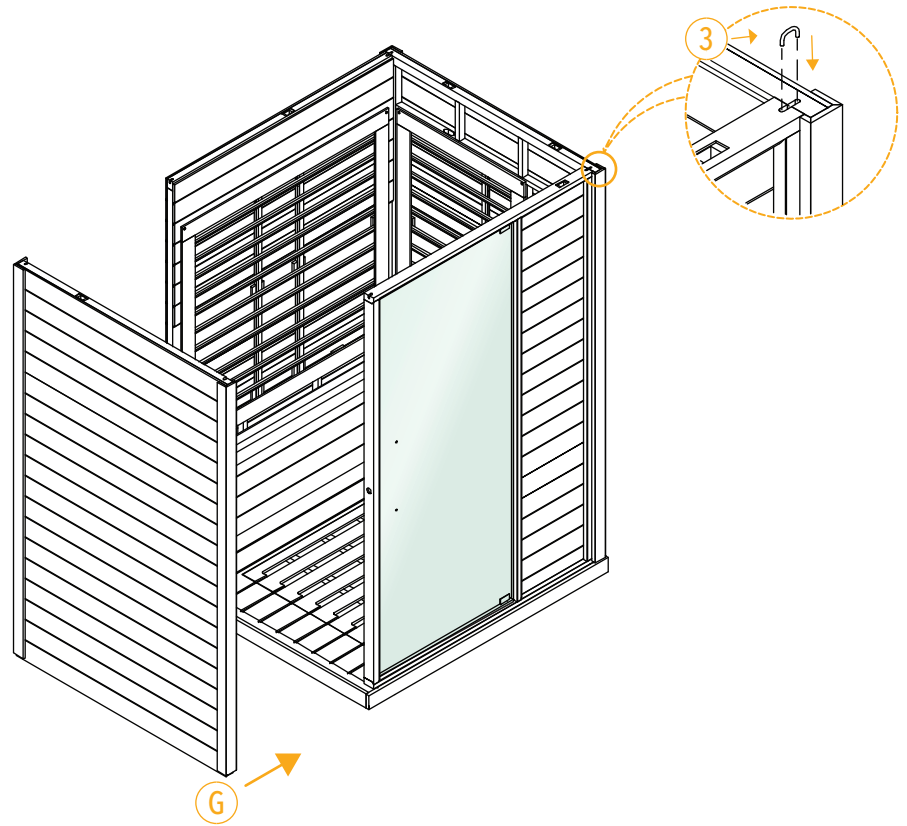
The front wall **J** will be inserted next. Be careful of the glass door and panel as you insert the wall.



## STEP 5

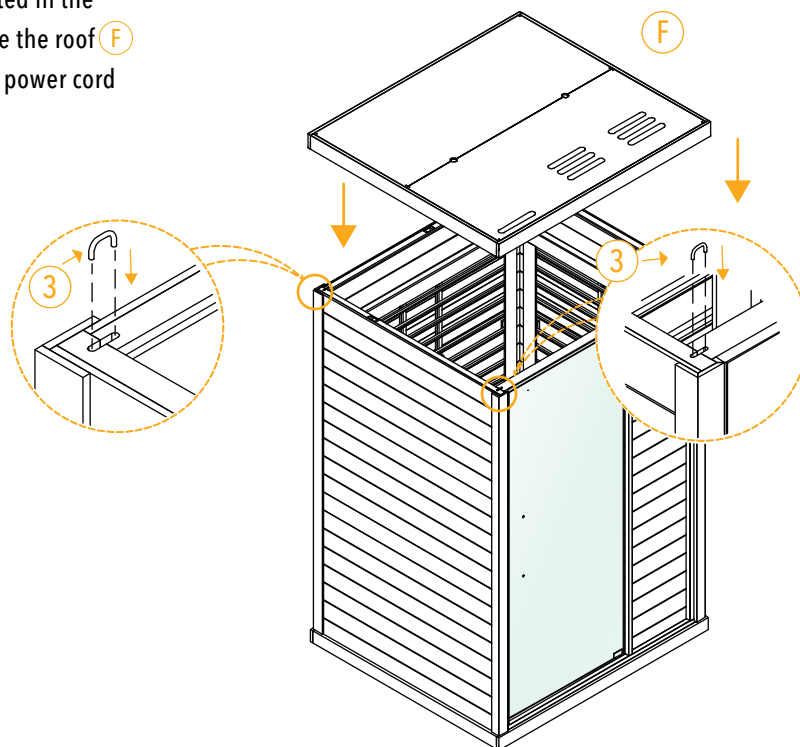
After securing the U-clip (3), the left wall (G) will be the last to be inserted. Make sure it is flush and no gaps are showing in the corners.

NOTE: If you ever have trouble getting a U-clip to slide in, this can be resolved by tapping it with a hammer.



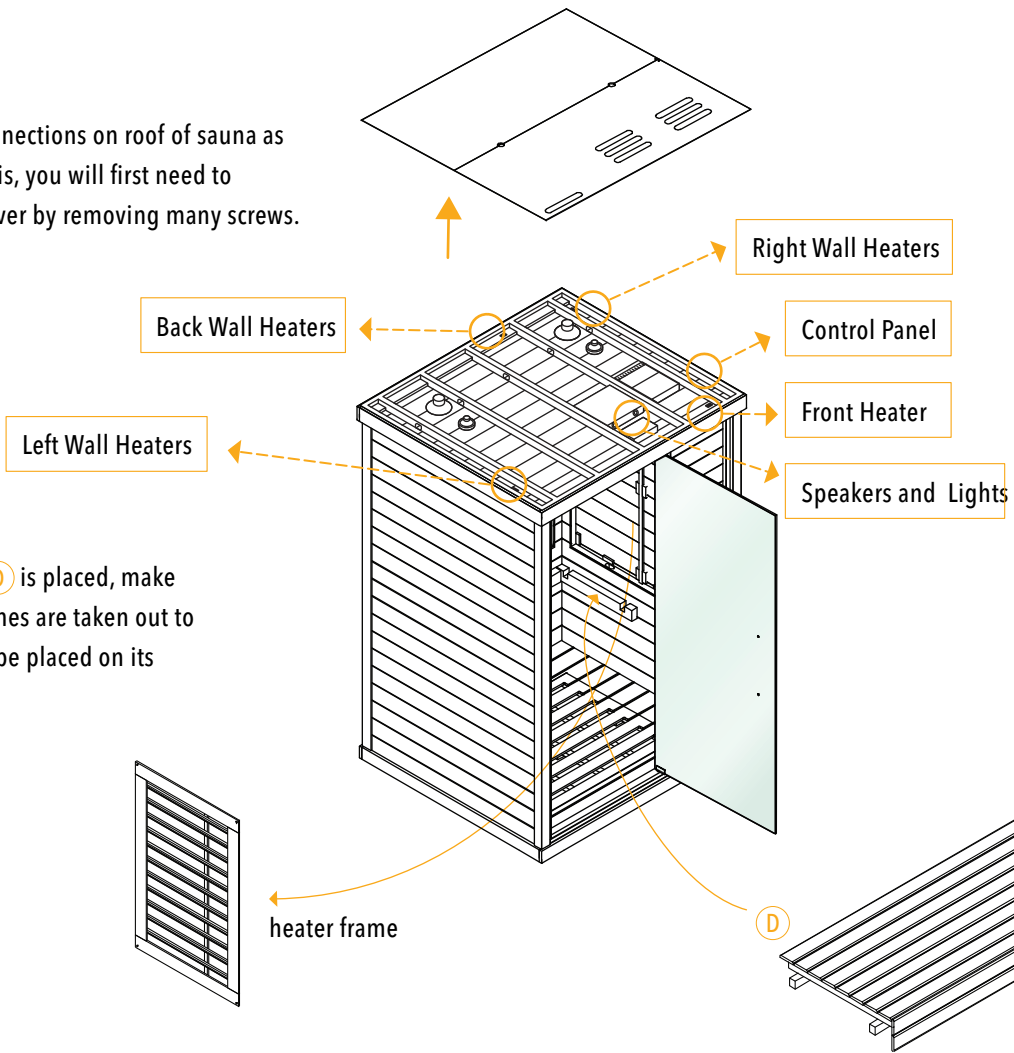
## STEP 6

Once all the U-clips have been inserted in the corners, the next step will be to place the roof (F) on top. Make sure the side the main power cord receptacle faces the back.



## STEP 7

Please make all connections on roof of sauna as illustrated. To do this, you will first need to remove the dust cover by removing many screws.

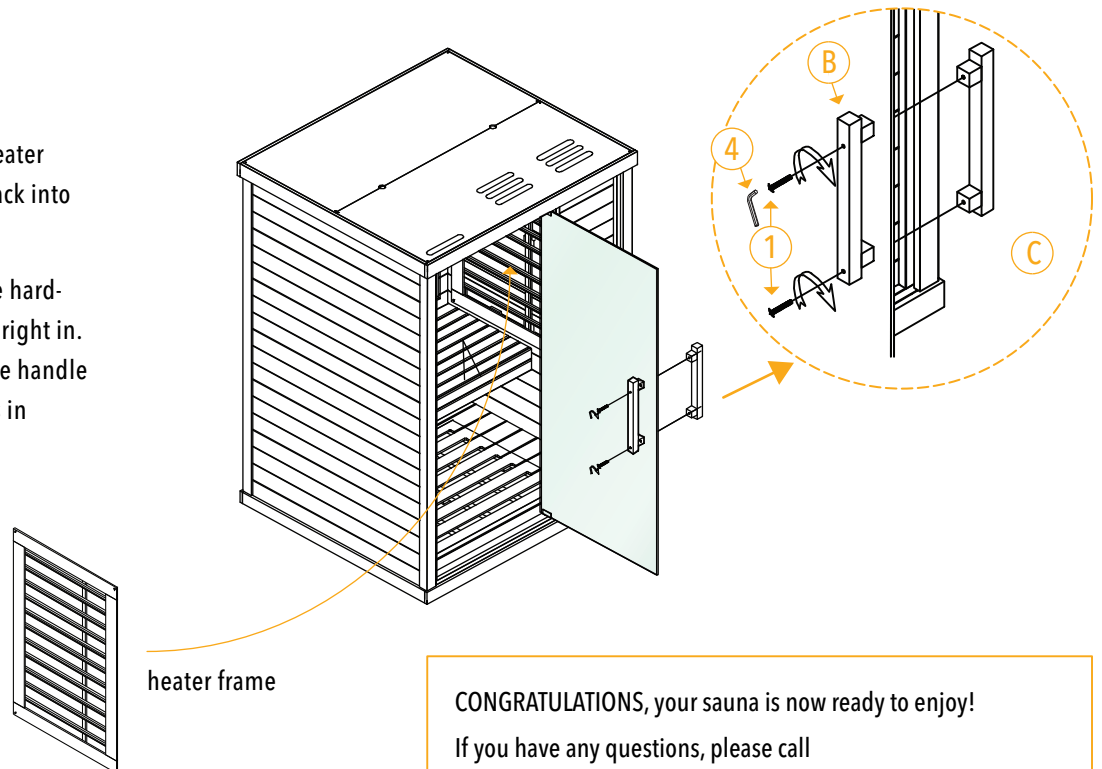


Before the bench **D** is placed, make sure the heater frames are taken out to allow the bench to be placed on its support.

## STEP 8

With the bench installed, the heater panel frames can be inserted back into their respectable walls.

The door handles come with the hardware and can easily be screwed right in. A second person should hold the handle while the other screws the bolts in with the Allen wrench. The dust cover should also be replaced.



**CONGRATULATIONS**, your sauna is now ready to enjoy!  
If you have any questions, please call  
**Sunlighten Customer Support at 877.292.0020.**