

ASSEMBLY INSTRUCTIONS

Community

included in door handle

1 4x

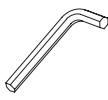
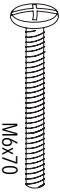
2 4x

3 6x

4 4x

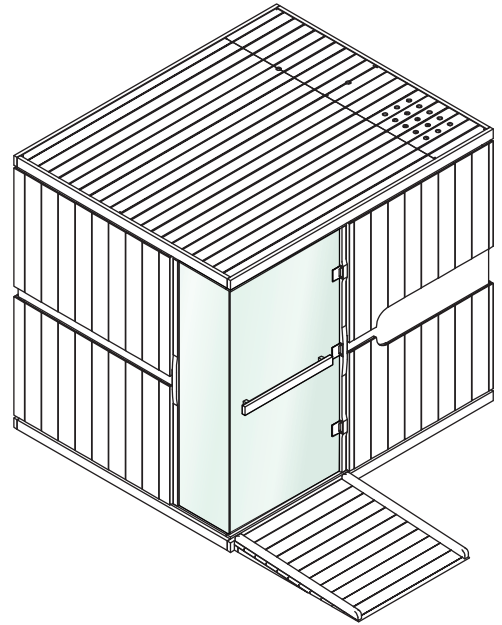
5 1x

6 1x

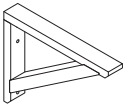


Allen wrench

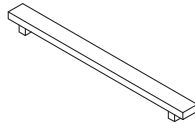
Philips Screw Driver



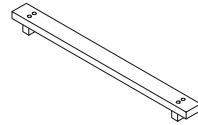
A 2x



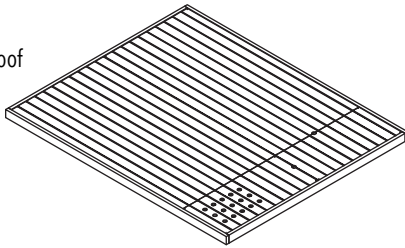
B 1x



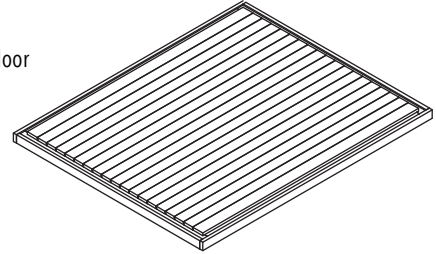
C 1x



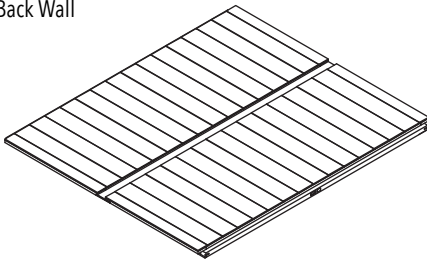
D 1x Roof



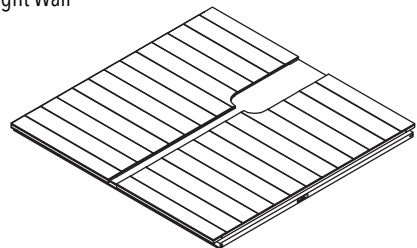
E 1x Floor



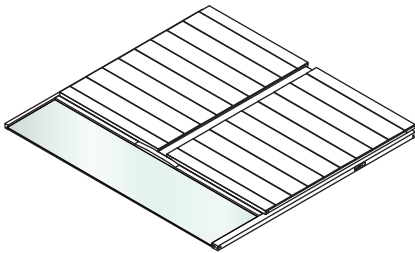
F 1x Back Wall



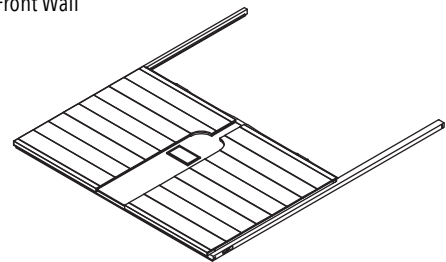
G 1x Right Wall



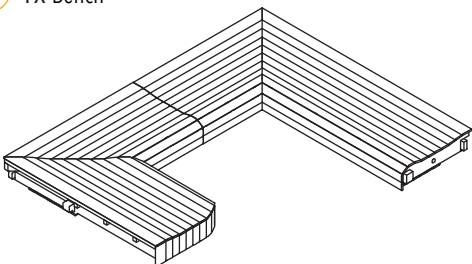
H 1x Left Wall with glass panel



I 1x Front Wall



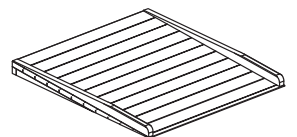
J 1x Bench



K 1x Glass Front Door 711x1750mm



L 1x Ramp



21072022

PRE-STEPS

- Un-pack each wall segment from the shipping material, stage each wall segment in the room you will be assembling the unit.
- Remove the internal wooden heater frames during unpacking of the wall segments, set these aside for installation after the sauna is assembled.
- Remove the small wooden wire covers at the base of each vertical wall segment, set aside for placement after the sauna is assembled.



240V, 3080 watts. Dedicated 15A circuit and 15A power socket protected by a 16A RCBO installed in the meter box. Minimum 2.5mm cable required for circuit; 2.5m cord exists from back left of roof.*

See OWNER'S MANUAL

* Failure to do so will void your sauna's warranty and customer will assume liability for any electrical damages to the sauna itself or the residence/business in which the sauna is installed.



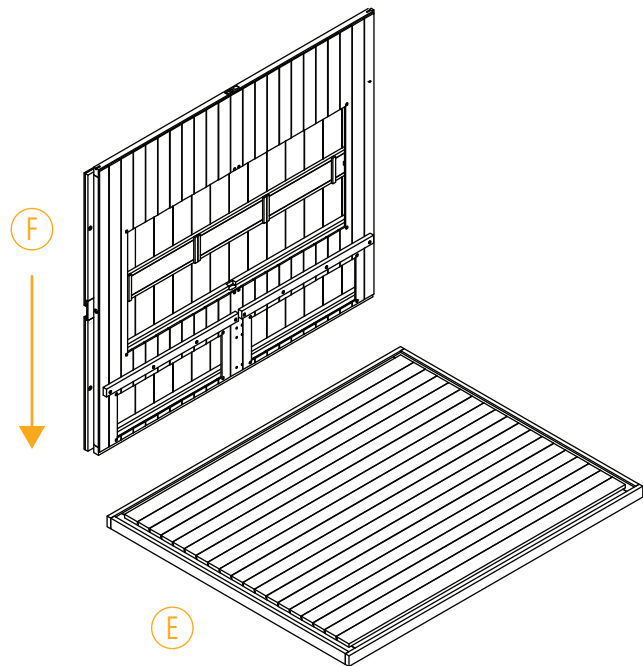
WARNING:

Please ensure all electrical connections are securely connected PRIOR to turning on the power to the Sauna.

DO NOT unplug or plug in any connections when power is on.

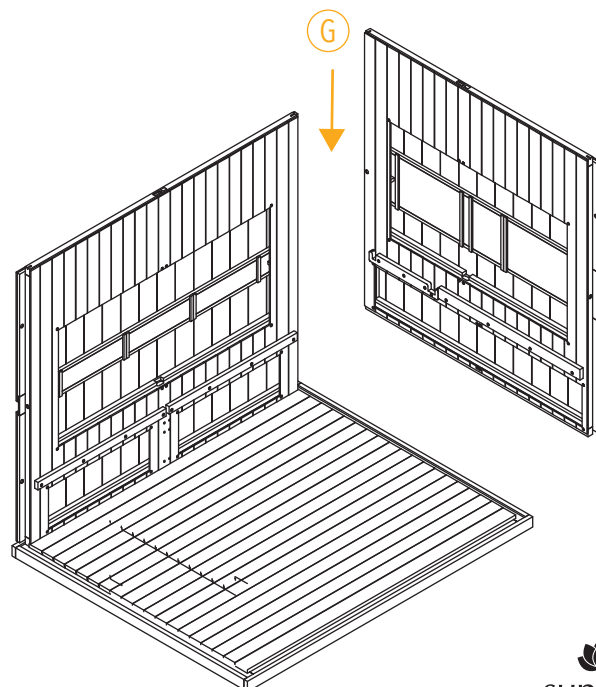
STEP 1

- Before you begin installing the walls, be sure you have at least:
 - 15cm between the back of the sauna and the outlet wall.
 - 30 cm gap from the top of the sauna to the ceiling.
 - Place the sauna next to the wall power outlet to ensure you have access to the wall power socket outlet to cut the power to the unit if required.
- Make sure the floor panel is placed on a surface that is relatively smooth & perfectly level. Failure to do so can cause the door to not close all the way in the later steps.
- In this step make sure one person is holding the wall while the other helps balance it and press it in place.



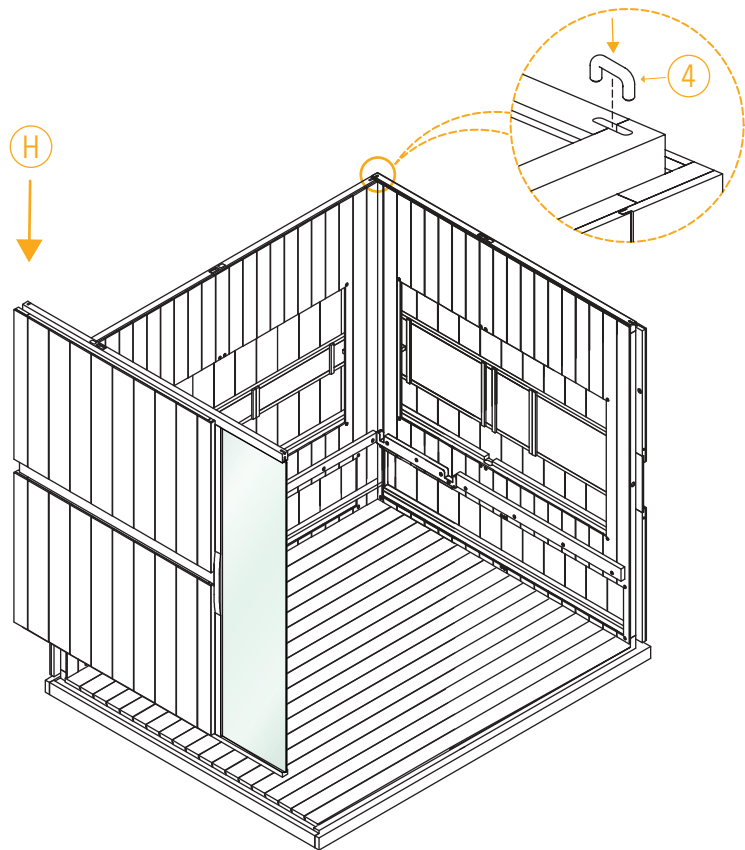
STEP 2

- The following walls will be inserted the same way as STEP 1.
- Make sure the wires coming out from the bottom hatches don't pinch when you mount the walls.



STEP 3

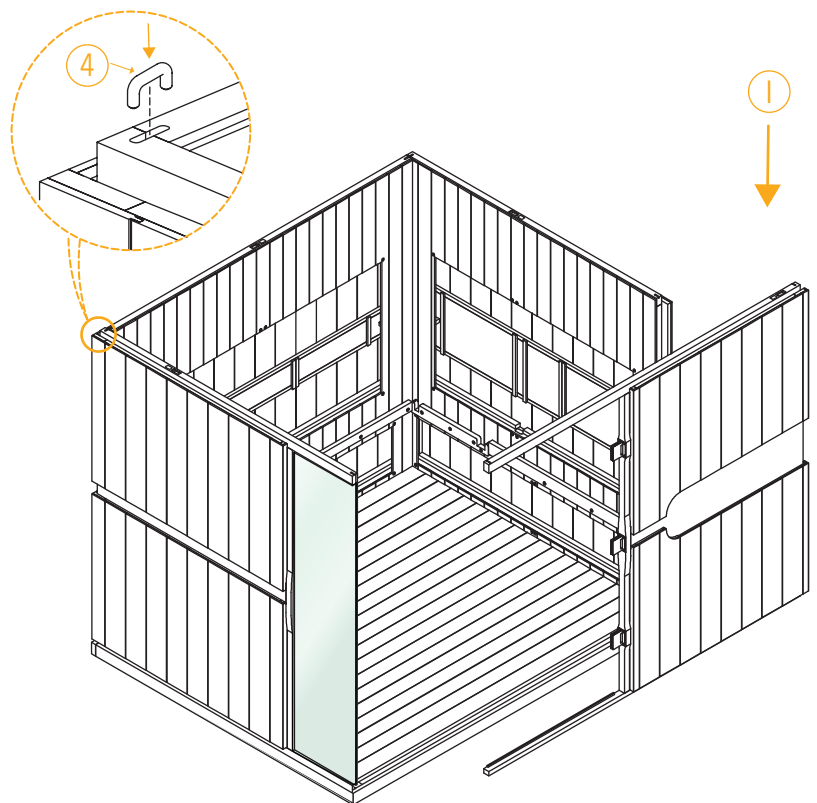
- After you place each wall segment, please use the U-clips ④ and insert them in each upper corner to hold the walls together.
- The left wall glass panel will need to be inserted into the left wall panel before you insert it.



STEP 4

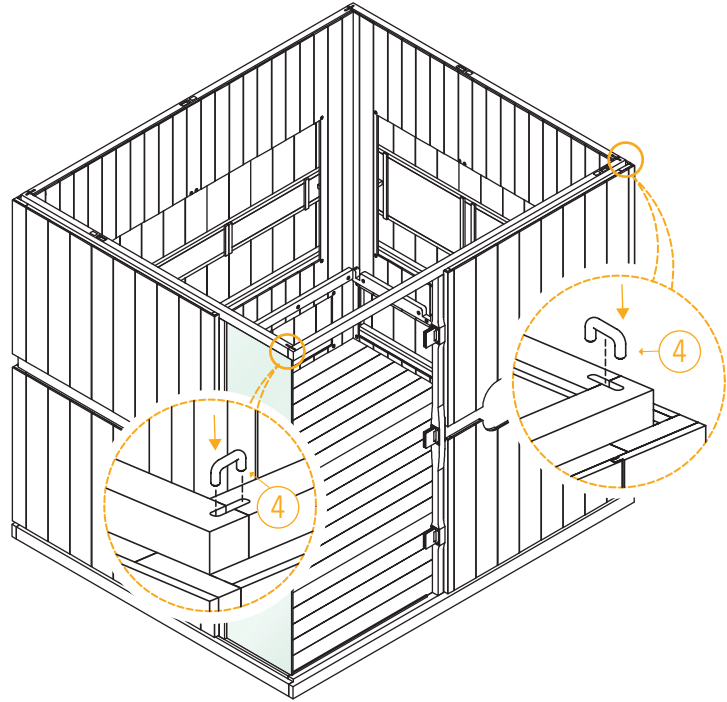
- The front wall ① will be the last to install.

NOTE: If you ever have trouble getting a U-clip to slide in, this can be resolved by tapping it with a hammer.



STEP 5

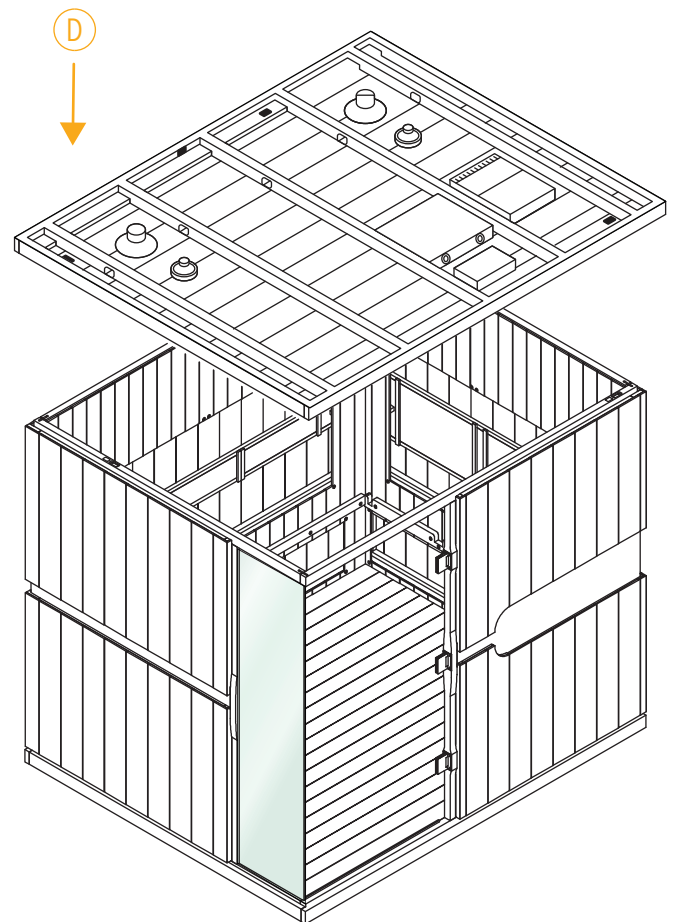
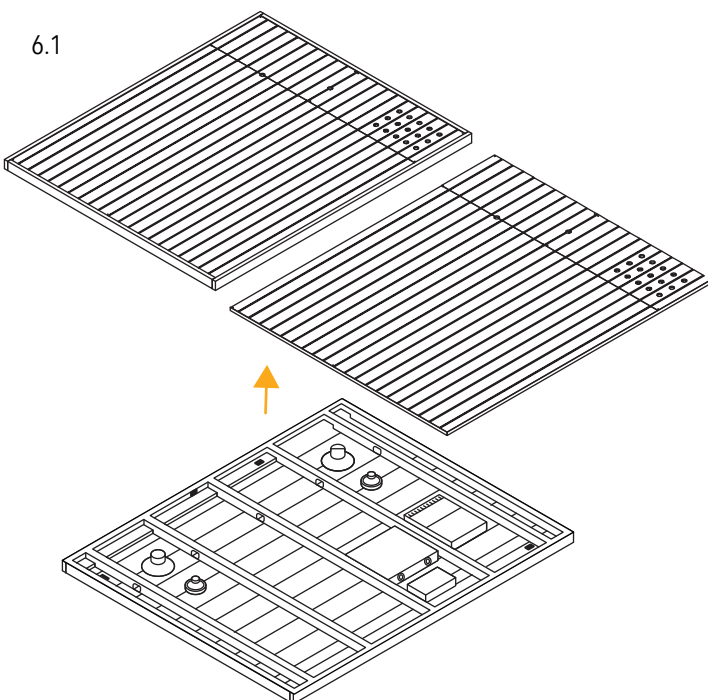
- After all four U-clips (4) are inserted in the corners, the next step will be to place the roof on top.
- The roof will also reinforce the walls in position along with the clips.



STEP 6

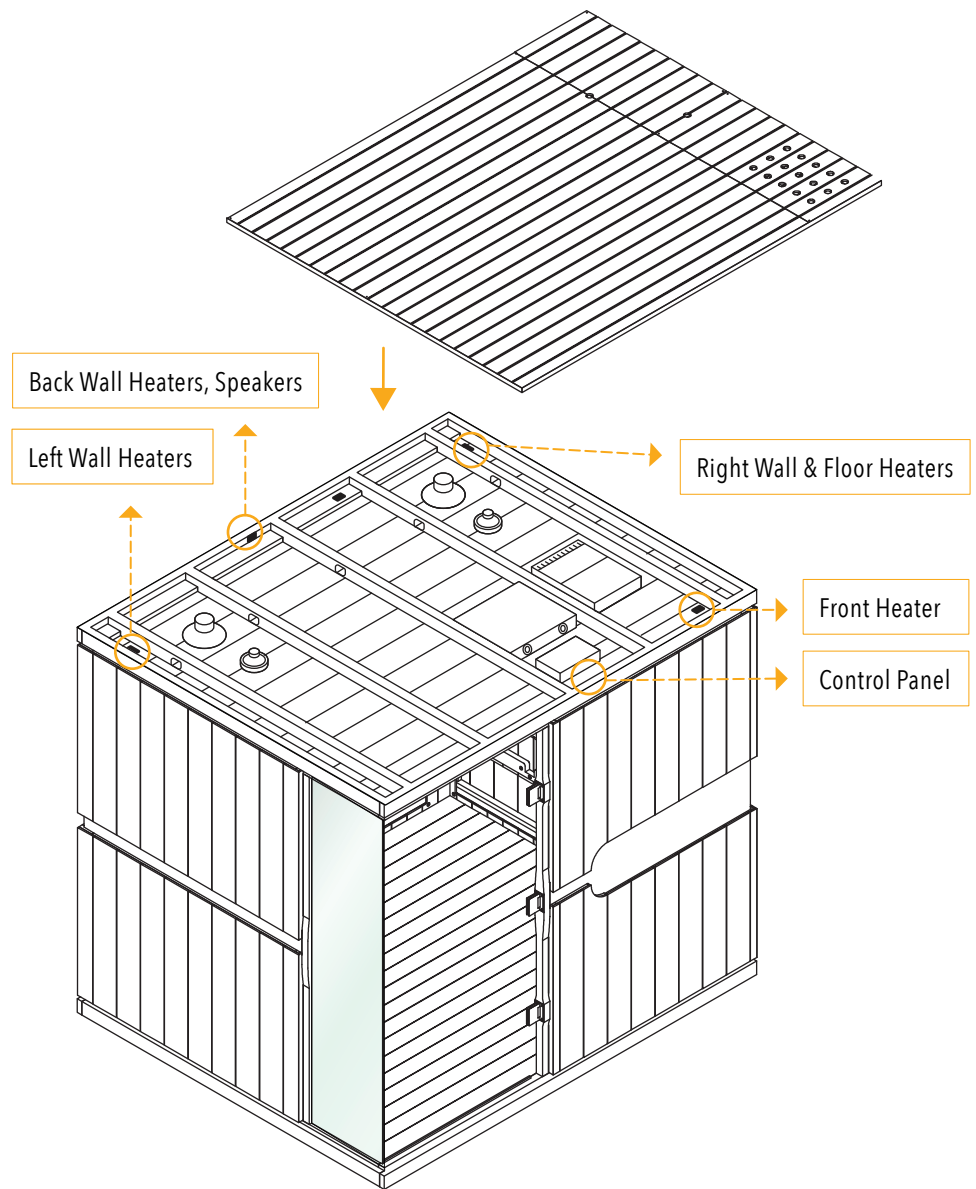
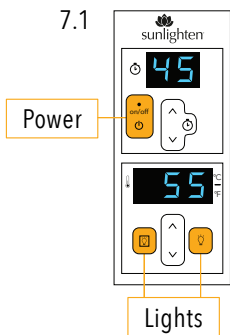
- Remove the roof cover panels (see illustration 6.1 below).
- The roof may require some slight manipulation to fall into place on top of the wall panels.

6.1



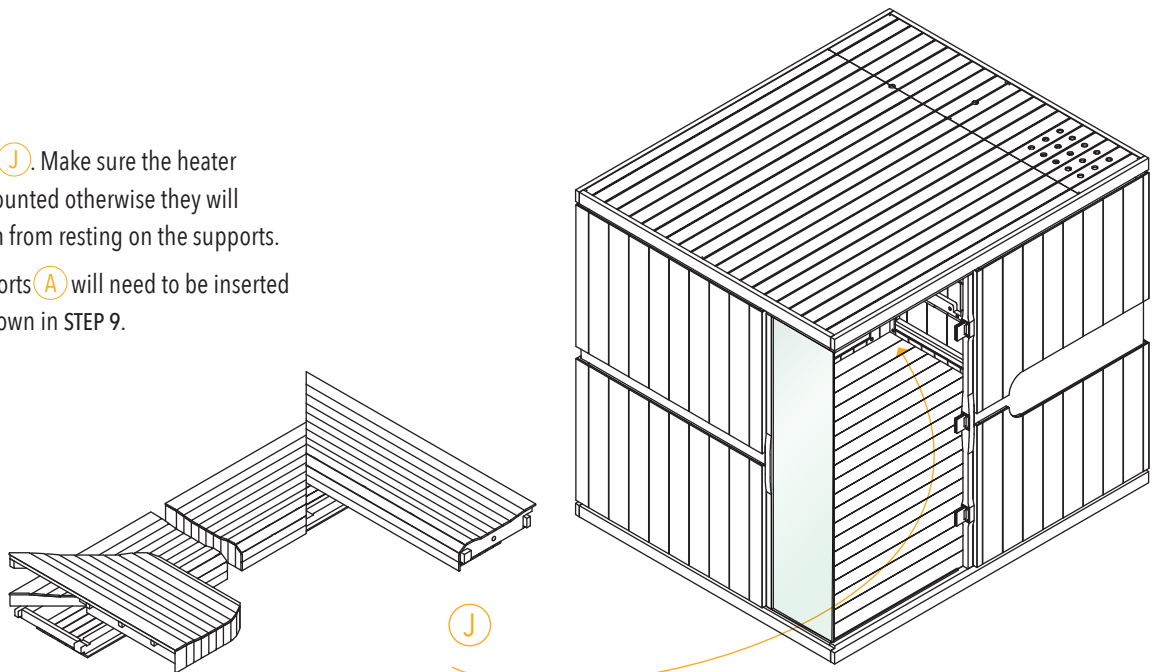
STEP 7

- Please make all connections on the roof of the sauna as illustrated
- Connect sauna to external power.
- Turn on the power to sauna (see illustration 7.1 below).
- Check all of the heaters are working by placing your hand against the heater cover to feel the heat.
- Check the radio is operating by quickly tapping the SRC button.
- Check the lights turn on using the control panel (see illustration 7.1 below).
- If all electronics are working, turn them off and turn off the power to the sauna.
- Replace the roof panels.
- In the event a heater is not working, unplug the connection and firmly plug back in. Then re-test with power on.
- If you require any support, please contact our Technical Service team.

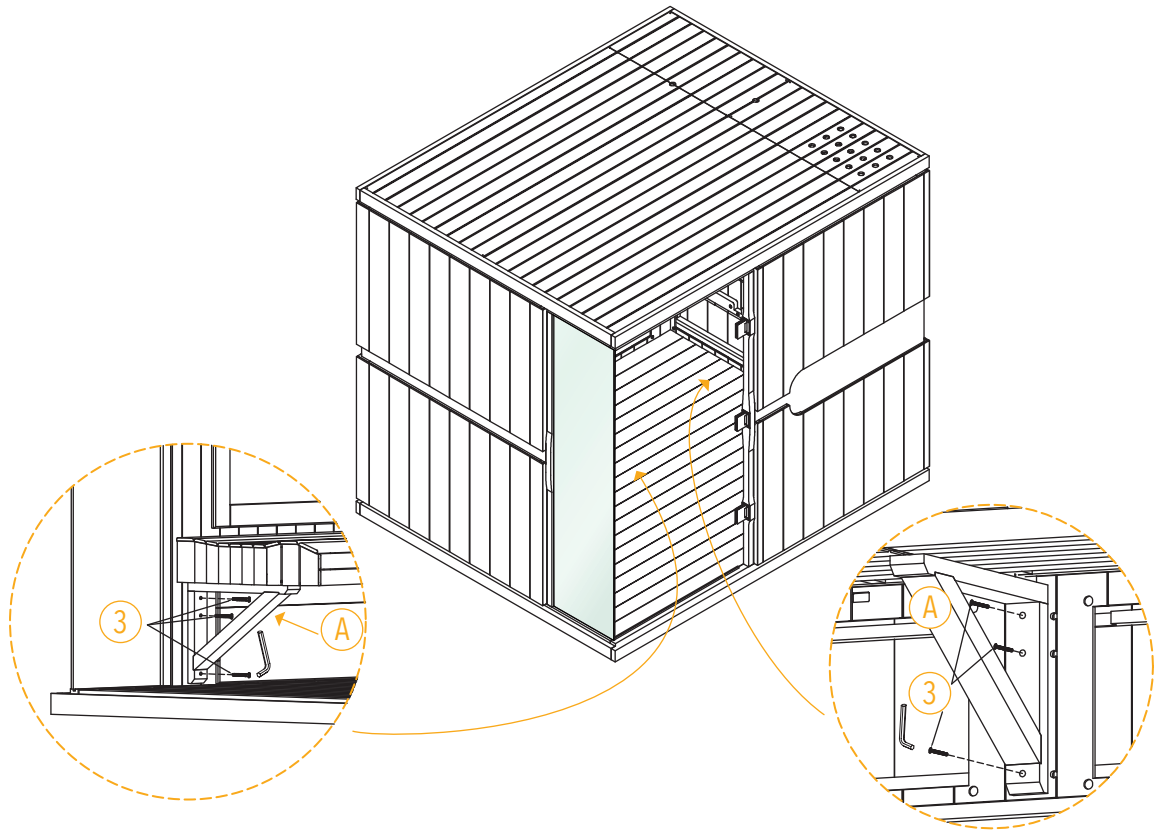


STEP 8

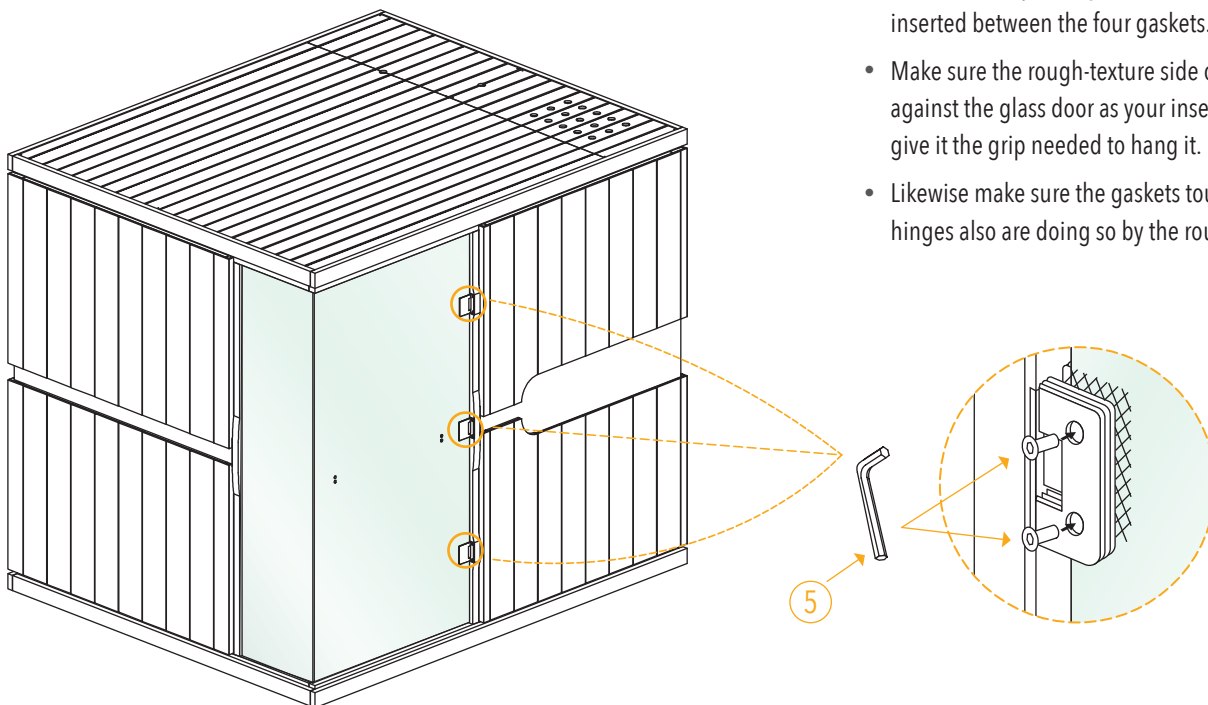
- Next is the bench (J). Make sure the heater frames are not mounted otherwise they will prevent the bench from resting on the supports.
- The triangle supports (A) will need to be inserted underneath as shown in STEP 9.



STEP 9



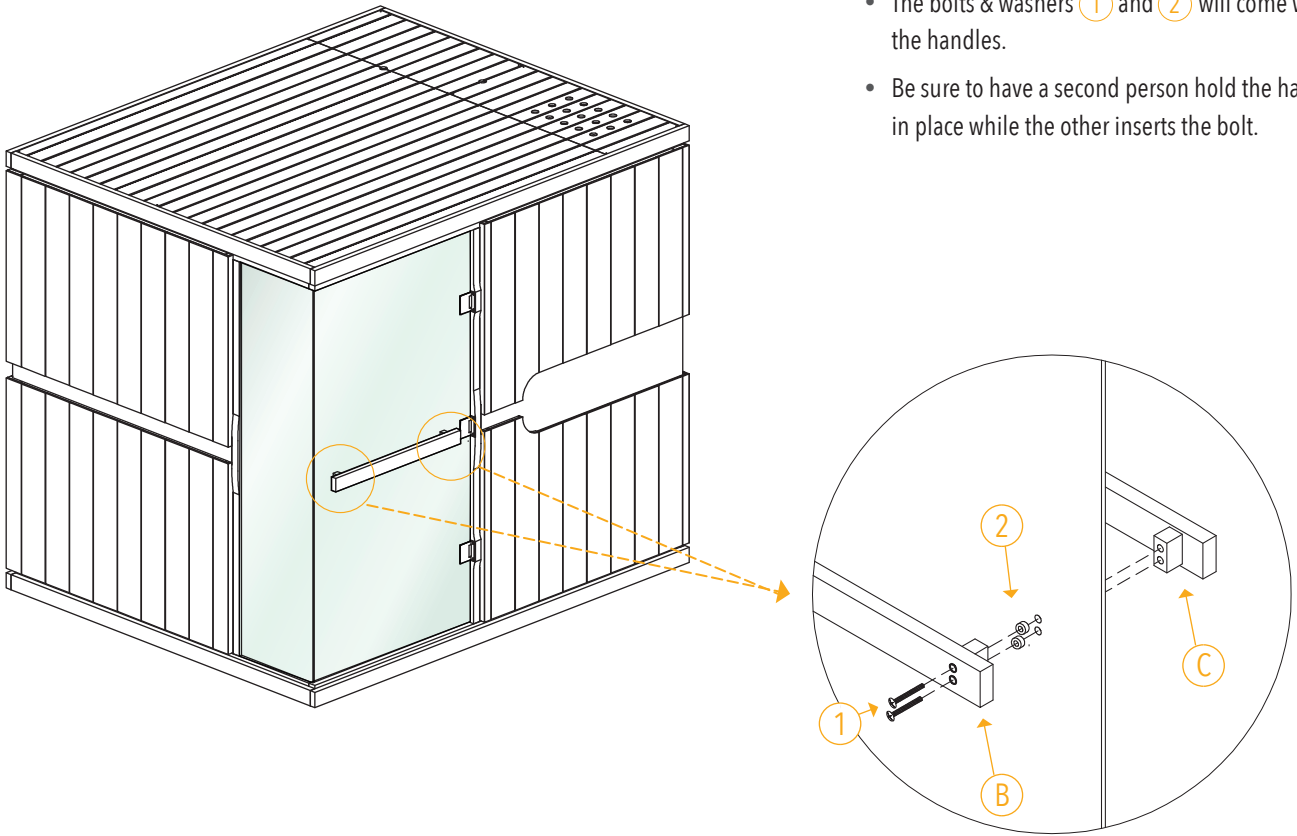
STEP 10



- Next will be the right glass door (K). Using the Allen wrench, you will tighten the bolts into the hinges as the door is inserted.
- Make sure the bolt is inserted firmly. Each hinge will have four plastic gaskets. The door will be inserted between the four gaskets.
- Make sure the rough-texture side of the gasket is against the glass door as you insert it. This will give it the grip needed to hang it.
- Likewise make sure the gaskets touching the hinges also are doing so by the rough side.

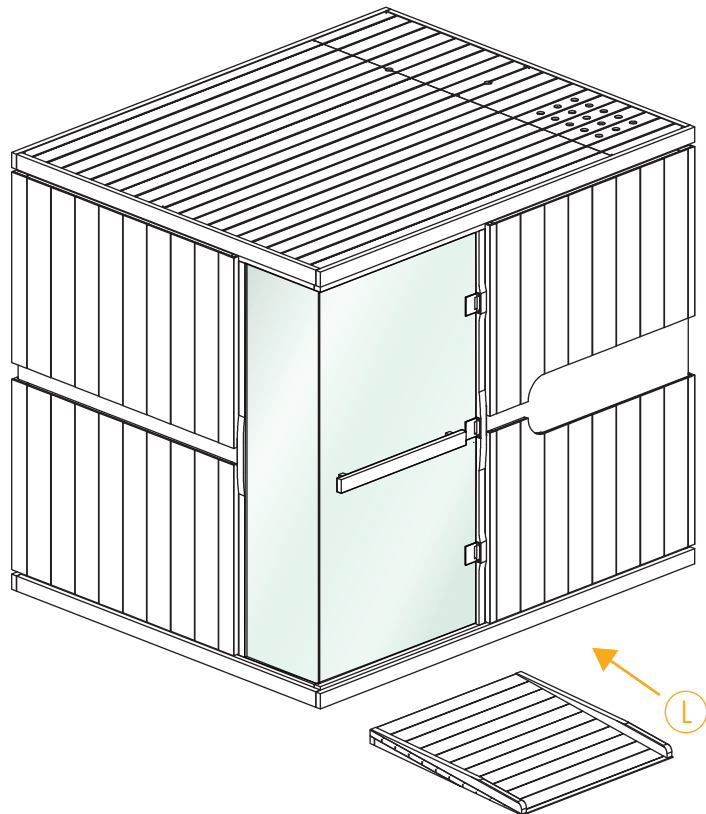
STEP 11

- The bolts & washers ① and ② will come with the handles.
- Be sure to have a second person hold the handle in place while the other inserts the bolt.



STEP 12

- Last step is to put the ramp in place.



CONGRATULATIONS your sauna is now ready to enjoy!

If you have any queries please call

Sunlighten Customer Support at 1800 786 544.

