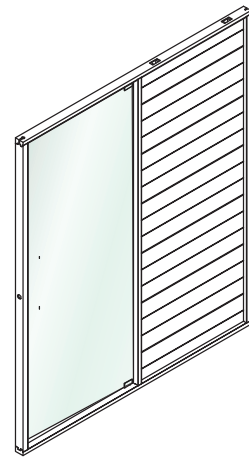
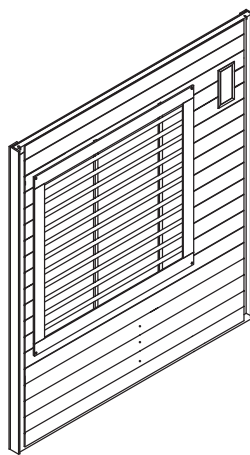
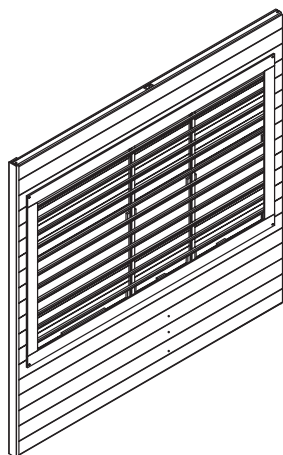
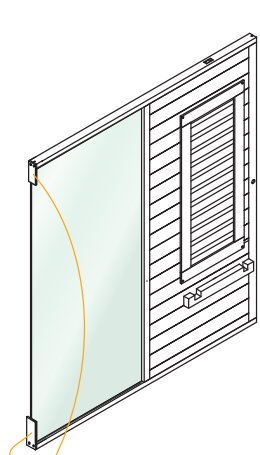
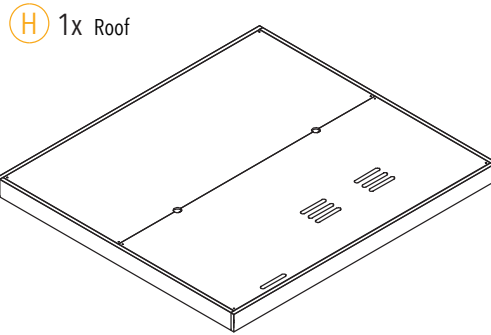
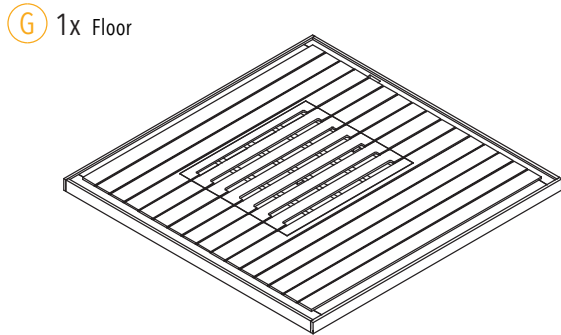
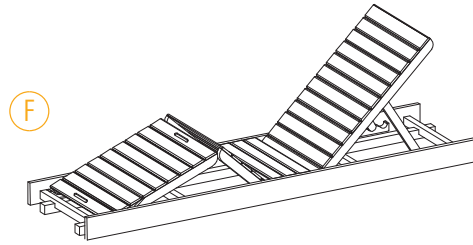
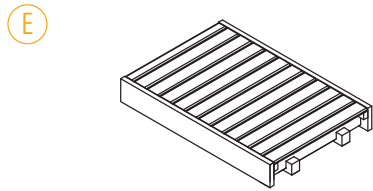
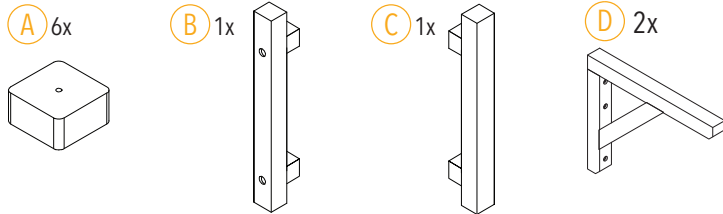
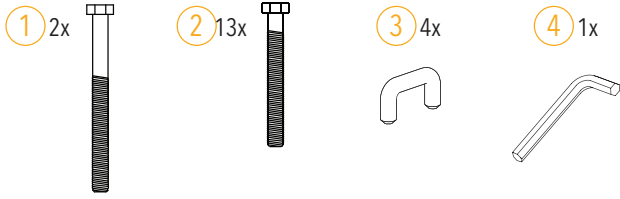
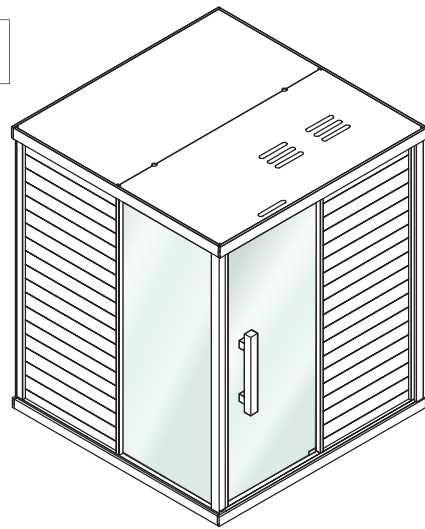


# ASSEMBLY INSTRUCTIONS

# SIGNATURE IV



secure plates before assembly - see STEP 3.



## PRE-STEPS

Unpack each wall segment from the shipping material. Stage each wall segment in the room you will be assembling the unit.



230V, 2300 watts.  
Dedicated NS-17 outlet required.\*  
3m cord exits from bottom left of back panel.

See USER MANUAL or spec sheet for additional specs.

*\* Failure to do so will void your sauna's warranty and customer will assume liability for any electrical damages to the sauna itself or the residence/ business in which the sauna is installed.*

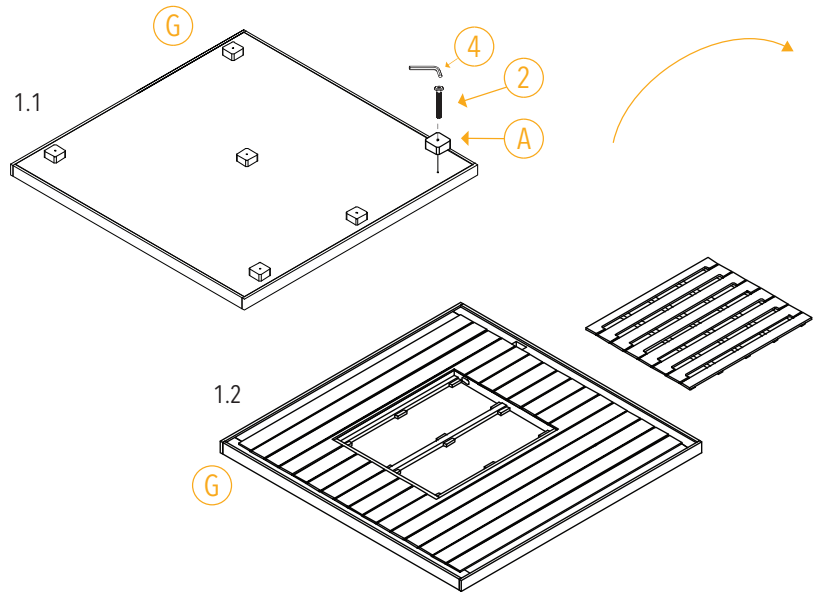
## STEP 1

1.1 Attach the feet pegs (A) with supplied Allen wrench and bolts (2) to the underside of floor (E).

1.2 Cut the zip ties holding the floor grate. The fabric will adhere to the Velcro on the underside of the grate.

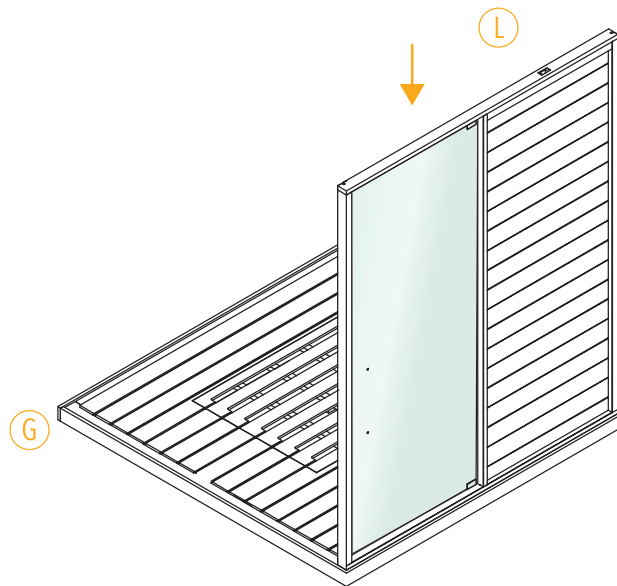
TIP: One side of the fabric adheres better

NOTE: Make sure the floor panel is on a surface that is perfectly level and relatively smooth.



## STEP 2

Place the front wall (L) on the front of the floor panel (G).  
Be sure you have two people assisting with this step.  
Be careful of the glass door as you install the wall.



### STEP 3

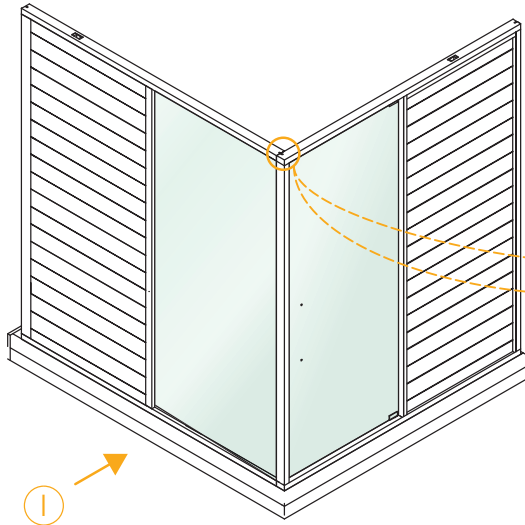
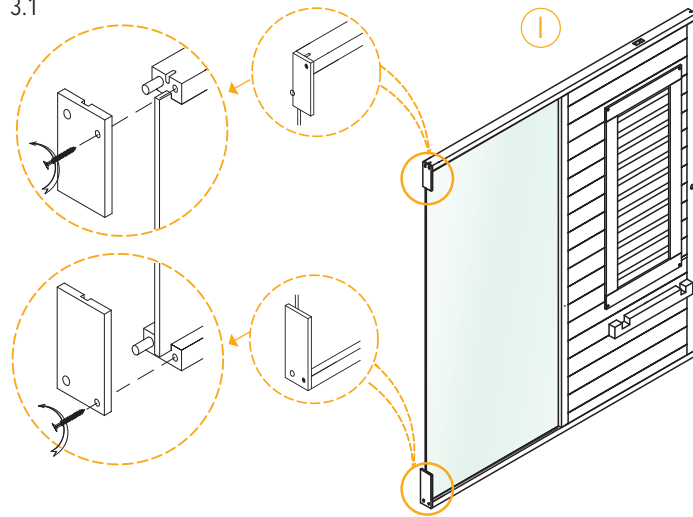
E

Secure plates to glass door (3.1) of left wall I.

Place left wall I on the left side of floor panel. This wall panel should sit flush once properly seated. Make sure no gaps are visible in the corner of the two walls as you insert it. It should be inserted flush.

As you insert each wall segment, you will insert the U-clips in the pre-drilled holes in the corner. This will keep the walls sealed together.

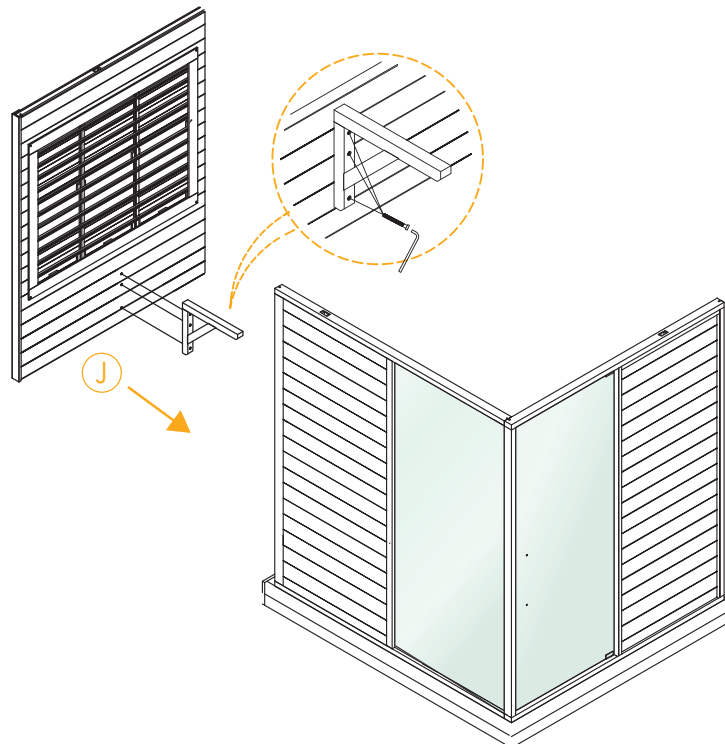
3.1



### STEP 4

The next wall to insert will be the back wall J.

This wall will have three pre-drilled holes underneath the heater frames to insert one of the two bench supports D. Using the labeled bolt and Allen wrench, insert the support once the wall has been placed and a U-clip installed in the top corner of the left and back wall.

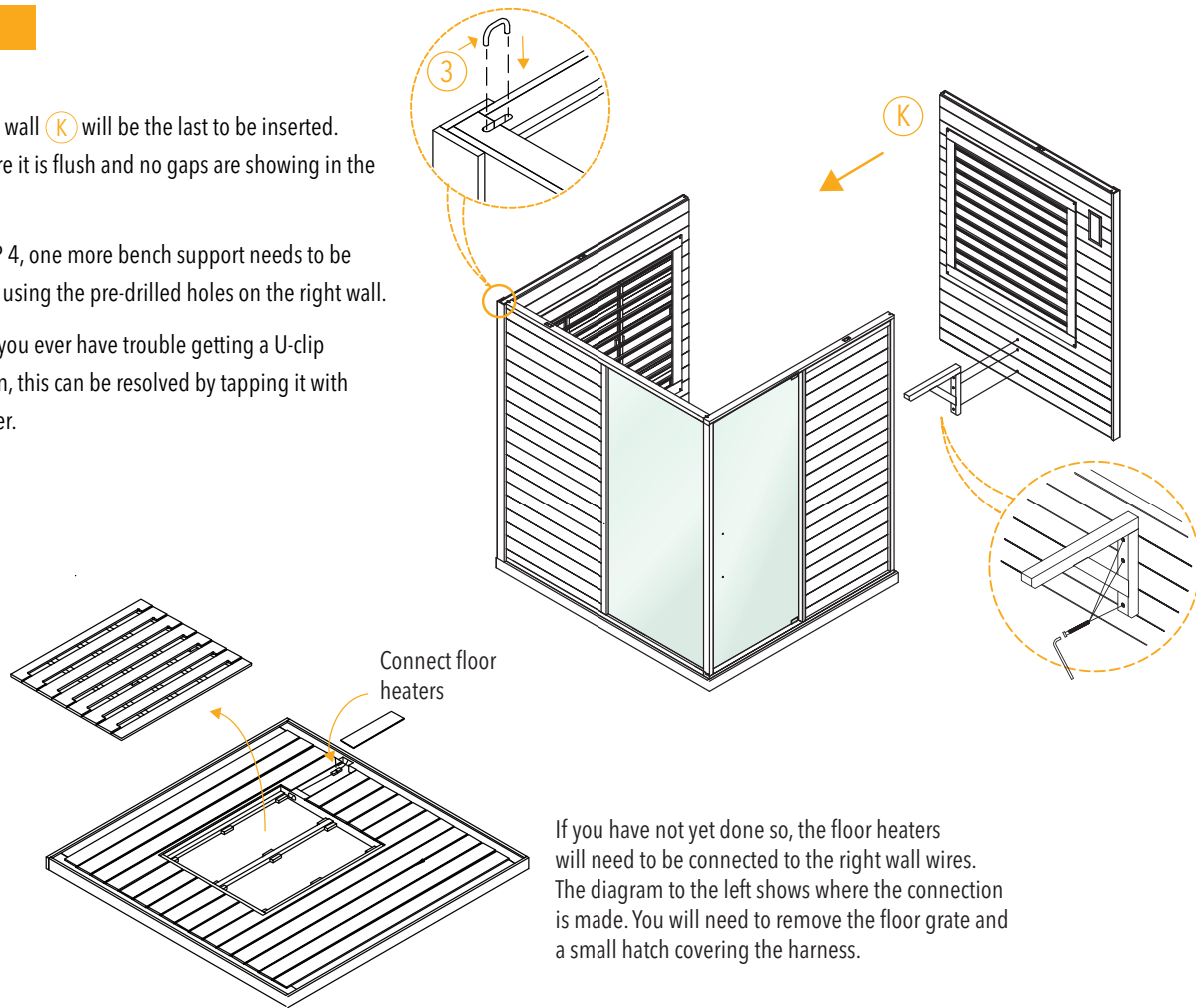


## STEP 5

The right wall (K) will be the last to be inserted. Make sure it is flush and no gaps are showing in the corners.

Like STEP 4, one more bench support needs to be installed using the pre-drilled holes on the right wall.

NOTE: If you ever have trouble getting a U-clip to slide in, this can be resolved by tapping it with a hammer.



If you have not yet done so, the floor heaters will need to be connected to the right wall wires. The diagram to the left shows where the connection is made. You will need to remove the floor grate and a small hatch covering the harness.

## STEP 6

Once all the U-clips have been inserted in the corners, the next step will be to place the roof on top. Make sure the side the main power cord receptacle faces the back.

