

GIMBAL HIGH OUTPUT LED GIMBAL DOWNLIGHT 3.5"

The LED Gimbal High Output downlight combines a sleek design with a small aperture without any compromise to the light output. With up to 950 lumens and a CRI of 90, this small downlight provides an outstanding performance that will suit both residential and commercial applications.

FEATURES AND SPECIFICATIONS

• Construction

Finishing

- Trim finish White, Black and Brushed Nickel
- Available in round in 3.5"

Mounting

- Cutting hole 3 1/2" (90 mm) and can cover up to 4 1/4" (108 mm) cutting hole for retrofit application

• Compliances

- Energy Star
- ETL

• Technical specifications

- 120 V
- Color temperature: 3 000 - 2 200, 3 000 and 4 000 K
- 90+ CRI
- FT6 cable for ceiling plenum applications
- 24° tilt and 360° module rotation to light any direction
- Estimated lifespan of 50 000 hours to L70
- Ambient temperature: -20° - +45°C
- Suitable for wet location
- IC Rated
- Air tight

OVERVIEW

Light source	LED
Watts (W)	12
Lumen output (lm)	660 - 950
Efficiency (lm/W)	55 - 80
Color temperature (K)	3 000 - 2 200, 3 000, 4 000
CRI	90+
Weight (lbs)	1.88



QUICK SHIP AND TECHNICAL SPECIFICATION TABLE 🕒¹

Order code	Part number	Watts (W)	Volts (VAC)	Color temp. (K) ²	Lumen output (lm) ³	Efficiency (lm/W)	CRI	Life L70 (hrs) ⁴	Tested hours LM-80 (hrs) ⁴	Beam angle (°)	Finish	Power factor	THD (%)	Case qty (master)
3.5" Round														
67809	GMB-12WA90/30WH	12	120	3 000	920	77	90+	50 000	10 000	40	White	>0.9	<20	24
67810	GMB-12WA90/30BN	12	120	3 000	920	77	90+	50 000	10 000	40	Brushed Nickel	>0.9	<20	24
67811	GMB-12WA90/30BK	12	120	3 000	920	77	90+	50 000	10 000	40	Black	>0.9	<20	24
67812	GMB-12WA90/40WH	12	120	4 000	950	79	90+	50 000	10 000	40	White	>0.9	<20	24
67813	GMB-12WA90/TWWH	12	120	3 000-2 200	660	55	90+	50 000	6 000	40	White	>0.9	<20	24

¹ **QUICK SHIP:** Product availability is subject to change without notice. Please contact your Stanpro customer service representative to confirm inventory levels at time of order.

² Typical color temperature range: +/- 5 %.

³ Lumen values are derived from photometric testing. Initial lumens range: +/- 10 %.

⁴ Life hours are derived from IESNA LM-80-08 testing report and projected per IESNA TM-21-11 extrapolations.

ACCESSORIES (order separately)

Part number	Description	Type	Opening diameter (in)	Case qty (master)
66049	ACC/MPLATE/3.625IN/SQR/STD	Square mounting plate	3 5/8	96
66056	ACC/MPLATE/3.625IN/ADJ/STD	Adjustable mounting plate	3 5/8	96
66142	ACC/3/VAPOR BARRIER/STD	Vapor barrier extender	3 5/8	50
66820	ACC/MPLATE/3.625IN/HANG.BARS/STD	Mounting plate with hanger bars	3 5/8	25
66964	LPDL/ACC/6FT/EXTCABLE/FT6/STD	6' FT6 Extension cord	-	96

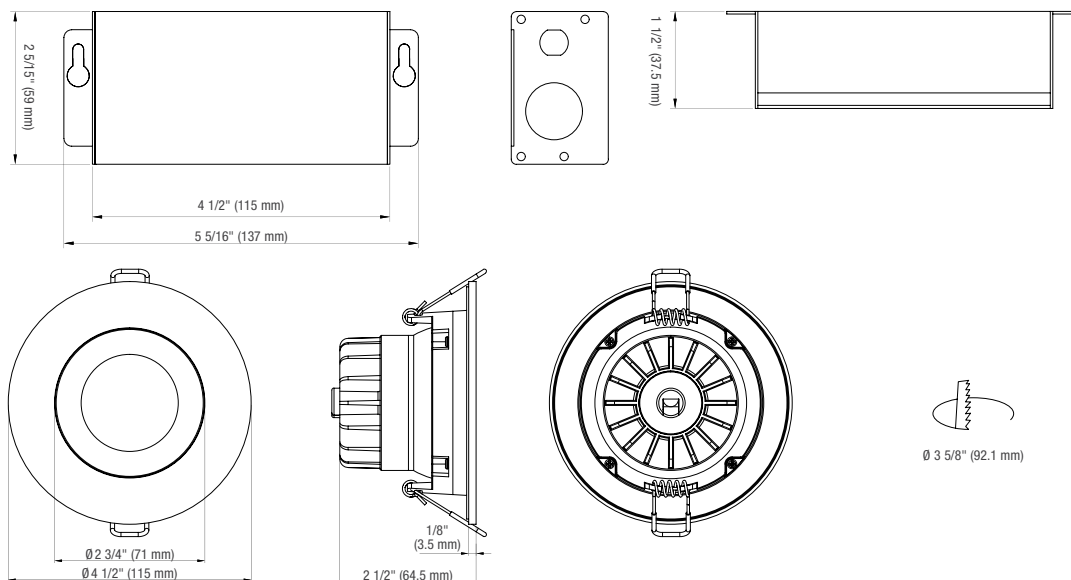


COMPATIBLE DIMMERS

Brand	Model number	
	3 000 K and 4 000 K	3 000 - 2 200 K
Legrand	RH703PTUTC	RH703PTUTC
Cooper	RRD-6NA, AAL06, SLC03P,	RRD-6NA, AAL06, SLC03P,
Leviton	IPL06, 6674, DSL06-1LZ, DSM10-1LZ, IPE04-1LZ, DDMX1	IPL06, 6674, DSL06-1LZ, DSM10-1LZ, IPE04-1LZ, DDMX1
Lutron	PD-5NE, PD-6WCL, DVCL-153P, CTCL-153P, DVCL-253P, AYCL-253P, DVRP-253P, SELV-300P, MAEL-153P	PD-5NE, DVCL-153P, CTCL-153P, DVCL-253P, AYCL-253P, DVRP-253P, SELV-300P, MAEL-153P

Dimming range: 10%-100%

DIMENSIONS

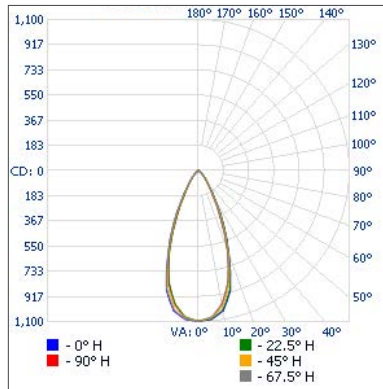


Data is based upon tests performed in a controlled environment. Actual performance can vary depending on operating conditions. All products are subject to change or may be discontinued any time without notice.

PHOTOMETRIC DATA¹

GMBR-12A90/WDWH • 672.9 lm

Polar candela distribution



Zonal lumen summary

Zone	Lumens	% Fixture
0-30	521.2	77.4%
0-40	608.0	90.3%
0-60	661.9	98.4%
60-90	11.1	1.6%
70-100	3.2	0.5%
90-120	0	0%
0-90	672.9	100%
90-180	0	0%
0-180	672.9	100%

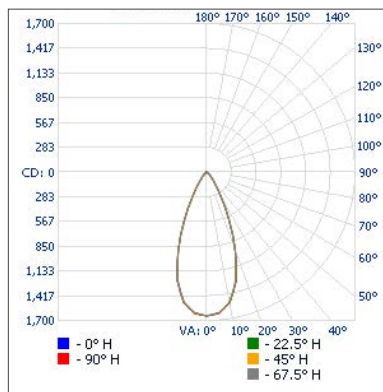
Illuminance at a distance

Center beam fc		Beam width	
1.7'	379	1.4'	1.3'
3.3'	101	2.7'	2.6'
5.0'	43.8	4.1'	3.9'
6.7'	24.4	5.5'	5.3'
8.3'	15.9	6.8'	6.5'
10.0'	10.9	8.2'	7.9'

Vert. spread: 44.7°
Horiz. spread: 42.9°

GMBR-12A90/30WH • 966.6 lm

Polar candela distribution



Zonal lumen summary

Zone	Lumens	% Fixture
0-30	777.5	80.4%
0-40	894.2	92.5%
0-60	955.5	98.9%
60-90	11.1	1.1%
70-100	3.5	0.4%
90-120	0	0%
0-90	966.6	100%
90-180	0	0%
0-180	966.6	100%

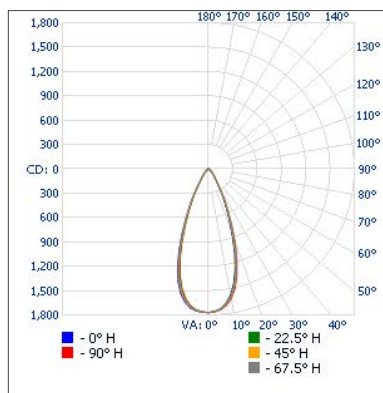
Illuminance at a distance

Center beam fc		Beam width	
1.7'	570	1.4'	1.4'
3.3'	151	2.7'	2.6'
5.0'	65.8	4.0'	4.0'
6.7'	36.7	5.4'	5.4'
8.3'	23.9	6.7'	6.7'
10.0'	16.5	8.0'	8.0'

Vert. spread: 43.8°
Horiz. spread: 43.7°

GMBR-12A90/40WH • 985.5 lm

Polar candela distribution



Zonal lumen summary

Zone	Lumens	% Fixture
0-30	796.1	80.8%
0-40	903.3	91.7%
0-60	972.3	98.7%
60-90	13.2	1.3%
0-90	985.5	100%

Illuminance at a distance

Center beam fc		Beam width	
1.7'	612	1.3'	1.3'
3.3'	162	2.5'	2.5'
5.0'	70.8	3.8'	3.8'
6.7'	39.4	5.1'	5.1'
8.3'	25.7	6.3'	6.3'
10.0'	17.7	7.6'	7.6'

Vert. spread: 41.7°
Horiz. spread: 41.8°

Data is based upon tests performed in a controlled environment. Actual performance can vary depending on operating conditions. All products are subject to change or may be discontinued any time without notice.