

# Albeo® LED Luminaire



LED High Bay Lighting  
(ABC1 - Series)



Project name \_\_\_\_\_  
Date \_\_\_\_\_  
Type \_\_\_\_\_

## Product Description:

The Albeo™ ABC1 LED Series luminaire is an exceptional mixture of value and performance. Ideal for high bay applications in industrial and commercial buildings. Designed to replace 175W-450W HID and four-to eight-lamp T5/T8 HIF fixtures with unmatched reliability and quality.

## Performance Highlights:

**Light Output Range:** 10,000 – 24,000 lumens

**CRI:** 70, 80

**CCT:** 4000K, 5000K

**Distributions:** 120° & 90° open and diffused lens options

**Input Voltage:** 120V-277V, 347V, & 480V

**Efficiency:** 143 - 160 LPW typical

**Fixture Rated:** L70 @ 100,000 hours min.

**Limited Warranty:** 5 Years

**Temperature Rating:** -30°C to +50°C (-22°F to 122°F)

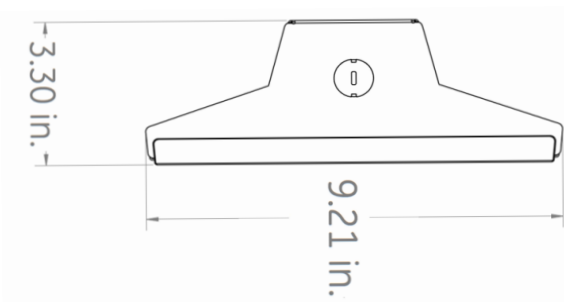
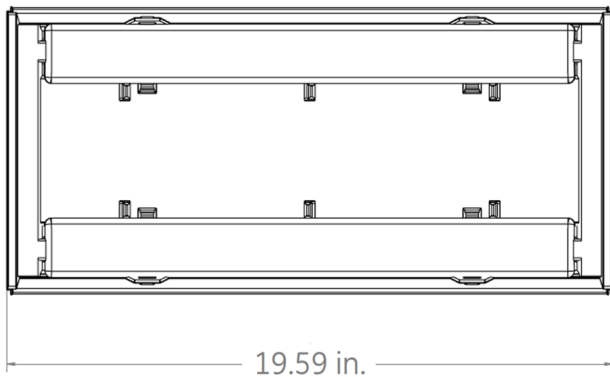
**Controls & Sensors:** 0-10V standard, optional motion & daylight sensor



Certifications:



## Product Dimensions:



**Weight:** 6 lbs

# Ordering Number Logic

Industrial High Bay Lighting  
ABC1-Series



Project name \_\_\_\_\_

Date \_\_\_\_\_

Type \_\_\_\_\_

## ABC1

## W

PRODUCT ID	VOLTAGE	LUMEN OUTPUT	LED COLOR TEMP	OPTICS/ LENS	CONTROLS	MOUNTING	CORD	PLUG	FINISH	OPTIONS
<b>ABC1</b> = Albeo Highbay ABC 1st Gen	<b>0</b> = 120/277 <b>1</b> = 120* <b>4</b> = 277* <b>D</b> = 347* <b>5</b> = 480*	<b>10</b> = 10,000 <b>12</b> = 12,000 <b>18</b> = 18,000 <b>24</b> = 24,000	<b>70 Plus CRI</b> <b>47</b> = 4000K <b>57</b> = 5000K <b>80 Plus CRI</b> <b>48</b> = 4000K <b>58</b> = 5000K	<b>Open Optic:</b> <b>1Q</b> = 120° No Lens <b>9Q</b> = 90° No Lens* <b>Diffused Lens:</b> <b>1D</b> = 120° Diffused Lens <b>9D</b> = 90° Diffused Lens*	<b>QQ</b> = None <b>QV</b> = 0-10V Dimming <b>QA</b> = Occ Sensor On/Off <b>QB</b> = Occ Sensor High/Low Dimming <b>QP</b> = Daylight Sensor w/ Occ On/off	<b>ST</b> = Standard <b>SM</b> = Surface Mount <b>23</b> = 3/4" Pendant Mount Kit <b>41</b> = Y-Cable/ Hook 5 ft. <b>42</b> = Y-Cable/ Hook 10 ft. <b>43</b> = Y-Cable/ Hook 15 ft. <b>44</b> = Y-Cable/ Hook 20 ft.	<b>K</b> = Knockout <b>A</b> = 6 ft. 18ga cord <b>B</b> = 12 ft. 18ga cord <b>C</b> = 15 ft. 18ga cord <b>D</b> = 20 ft. 18ga cord	<b>Q</b> = None <b>A</b> = 15 Straight plug <b>B</b> = 20A Straight plug <b>C</b> = 15A Twist Lock <b>D</b> = 20A Twist Lock	<b>W</b> = White Powder Coat	<b>Blank</b> = No Special Options <b>1PK</b> = Single Pack

\*Specify single voltage if plug, sensor, or wireless needed. Controls not available w/480V

\*90° Options available Early 2020

\*Controls Not Available with 480V



LUMEN PACKAGE	70 CRI @ 4000K OR 5000K CCT				
	TYPICAL DELIVERED LUMENS	TYPICAL POWER		TYPICAL LPW 120- 277V	MAX AMBIENT TEMP
		120-277V	347/480V		
<b>10</b>	9,900	62	64	160	50°C
<b>12</b>	12,000	78	79	154	50°C
<b>18</b>	18,000	126	124	143	50°C
<b>24</b>	23,600	161	159	147	45°C

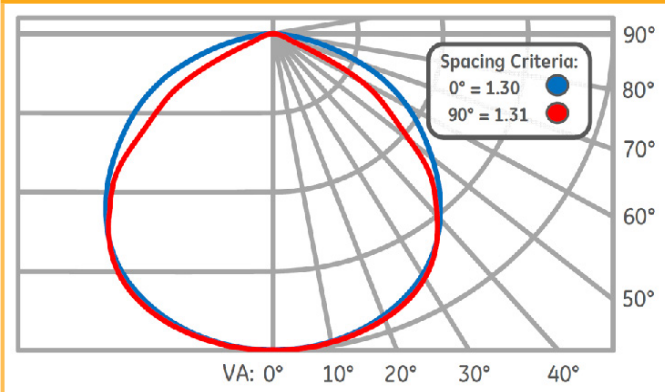
Shown with "1Q" 120° No Lens Option  
De-rate 5°C for "SM" Surface Mount Option

CRI	Lumens	CCT	OUTPUT
<b>70CRI</b>	<b>10/12K Lumens</b>	5000K	100%
		4000K	100%
<b>70CRI</b>	<b>18/24K Lumens</b>	5000K	100%
		4000K	100%
<b>80CRI</b>	<b>10/12K Lumens</b>	5000K	94%
		4000K	92%
<b>80CRI</b>	<b>18/24K Lumens</b>	5000K	96%
		4000K	94%

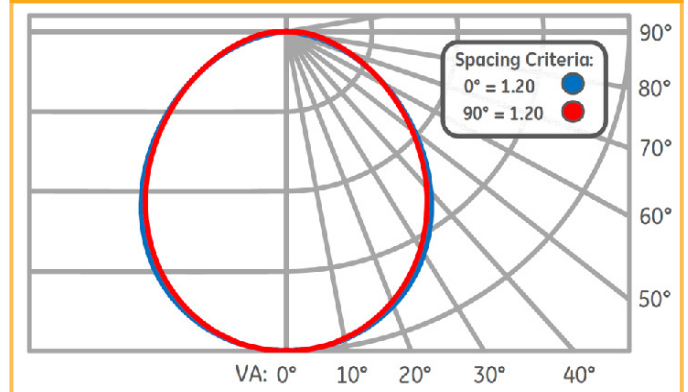
OPTIC LENS CODE	OPTIC DESCRIPTION	OUTPUT MULTIPLIER
<b>1Q</b>	120° No Lens	100%
<b>1D</b>	120° Diffused Lens	91%
<b>9Q</b>	90° No Lens	96%
<b>9D</b>	90° Diffused Lens	87%

# Photometric Data: Albeo® LED Luminaire ABC1 Series - Highbay

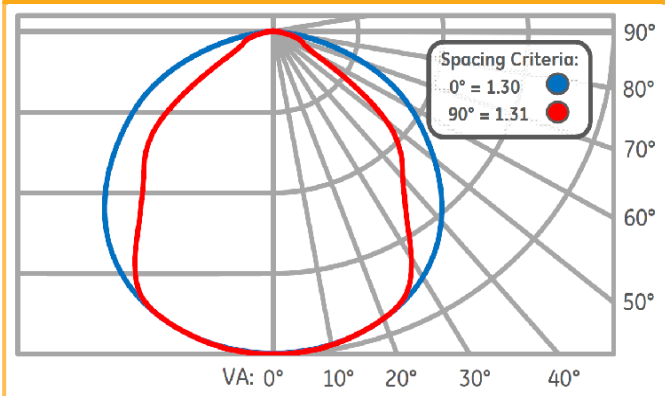
## 1Q = 120° Open



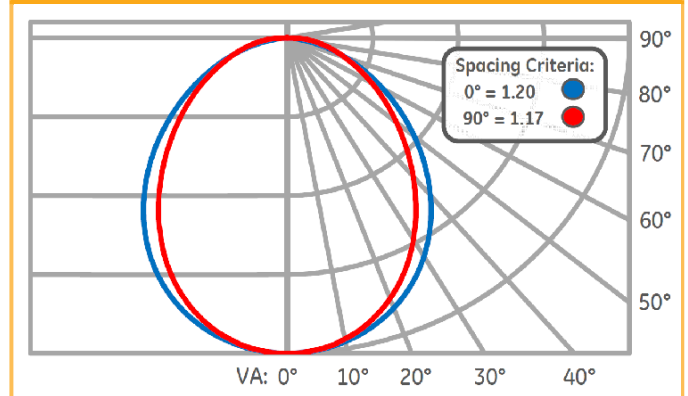
## 1D = 120° Diffused



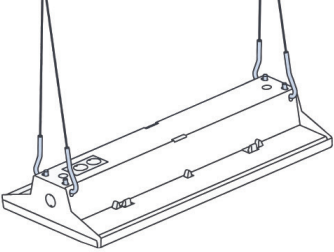
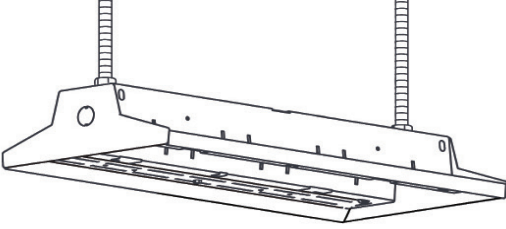
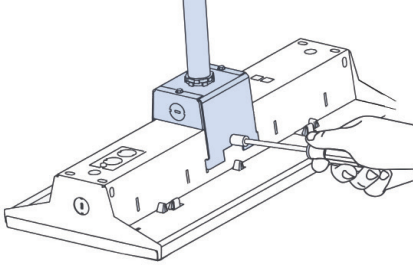
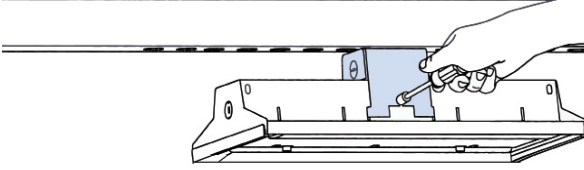
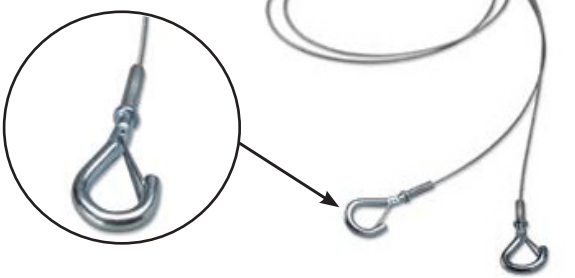
## 9Q = 90° Open



## 9D = 90° Diffused



# Mounting & Accessories

MOUNTING OPTIONS	IMAGE	ORDER LOGIC CODE	ORDER LOGIC CODE
<p><b>Standard Chain/Cable Mount</b> Available on all fixture configurations (chain not included). Y-Cable w/hook can be ordered as an accessory</p>			
<p><b>Rod Mount/Standard Mount</b> Available on all fixture configurations. Attaches to 1/2" threaded rod (rod and nuts not included).</p>		<p><b>ST</b>=Standard</p>	<p><b>Aftermarket:</b> NA</p>
<p><b>Pendant Mount (optional)</b> Available on all fixture configurations. Attaches to 3/4" threaded conduit (conduit not included).</p>		<p><b>23</b> = 3/4" Pendant Mount Kit</p>	<p><b>SKU:</b> 93124931 <b>Description:</b> 3/4" Surface Mounting Kit</p>
<p><b>Surface Mount (optional)</b> Available on all fixture configurations. Attaches to structural member in ceiling. (Hardware not included.)</p>		<p><b>SM</b> = Surface Mount</p>	
<p><b>Standard Chain/Cable Mount</b> Available on all fixture configurations (chain not included). Y-Cable w/hook can be ordered as an accessory.</p>		<p><b>41</b> = Y-Cable/ Hook 5 ft. <b>42</b> = Y-Cable/ Hook 10 ft. <b>43</b> = Y-Cable/ Hook 15 ft. <b>44</b> = Y-Cable/ Hook 20 ft.</p>	<p><b>5ft. Y-Cable/ Hook:</b> 93075756 <b>10ft Y-Cable/ Hook:</b> 93075552 <b>15ft Y-Cable/ Hook:</b> 93075553 <b>20ft Y-Cable/ Hook:</b> 93075554 <b>25ft Y-Cable/ Hook:</b> 93075555</p> <p><b>Max Load: 200 lbs. per pair</b></p>

# Albeo<sup>®</sup> LED Luminaire



LED High Bay Lighting  
(ABC1 - Series)

Project name \_\_\_\_\_  
Date \_\_\_\_\_  
Type \_\_\_\_\_

## LED & Optical Assembly

**CRI:** 70 & 80 CRI

**Fixture Rated Life:** L70 @ 100,000 hrs.

**Distribution /Lenses:**

120°, 90° with open optic

120°, 90° with diffused lens

## Electrical

**Input Voltage:** 120-277V, 347V, or 480V

**Input Frequency:** 50/60Hz

**System Power Factor (PF):** >0.9\*

**Total Harmonic Distortion (THD):** <20%\*

**LED Driver Type:** Class1, 3kV surge protection

**EMI:** FCC CFR Title 47 Part 15, Class A

\* **PF and THD may vary with options**

## Ratings & Evaluations

**Operating Temperature:** -30°C to +50°C (-22°F to 122°F). **Storage Temperature:** -40°C to +70°C

**Surge Protection:** 3kV driver surge protection

**Location:** UL 1598 Suitable for Damp Locations

**Safety:** UL/cUL Listed  

**Environmental:** RoHS compliant



DLC qualified models available

Please refer to <http://www.designlights.org/QPL> for complete information

## Construction & Finish

**Housing:** Steel

**Lensing:** Polycarbonate diffused

**Reflector:** White highly reflective polycarbonate

**Paint:** Powdercoat Painted Housing

No glass in housing or lenses

## Controls

**Standard Dimming:** 0-10VDC

**Minimum Dimming:** Dim down to 10%

**Sensor Options:**

Sensor Switch LSX LSXR Series - Sensor A, B and P

## Mounting

**Typical Mounting:**

Standard Rod/ Chain / Cable mount ready.

Surface and Pendant mount optional.

**Cord & Plugs:**

Standard = knockout access (no cord, no plug)

6ft, 12ft, 15ft, 20ft Cord options

15A, 20A, Straight or twist lock plug

## Packaging

**Packaging:** Standard pack is job pack / bulk pack consisting of up to 72 fixtures in 2, 16 cell dividers stacked on a 44" x 48" pallet. Two Fixtures are placed in each divided cell for quick unload at a jobsite. Orders of <14 fixtures are typically single pack. Single Pack (i.e. for stocking) – Special Option 1PK. Sensor and corded options can be bulk packed or single packed.

## Design Life & Warranty

**Reliability Testing:** Fixture components designed to exceed 100,000 hrs of operation at the worst possible rated conditions. Complete system evaluated at extreme conditions and monitored during production.

**System Warranty:** 5 Year