

Technical Information Bulletin

Worklights



Date: _____ Name of distributor: _____
 In hands date of project: _____ Client #: _____
 Project name/Number: _____ Name of end user: _____

ORDERING INFORMATION

Order code: 67023
 Description: MFL/BTRY/MGN/100-240/10W/CW/BL/STD
 UPC: 69549670235
 Case quantity: 50



PHYSICAL DATA

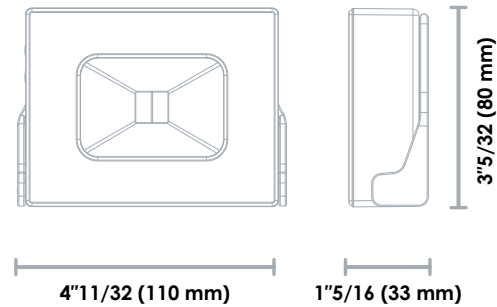
Type: LED Flood Light
 Housing colour: Black
 Housing Material: Aluminium

PERFORMANCE DATA

Watts (W): 10
 Volts (VAC): 100-240
 Colour temp.: Cool White
 Lumen output (lm)¹: 450
 Lumen per Watts (lm/W): 55
 CRI: 70
 Battery Energy saving mode 4
 working time (h): at 100% Brightness 2
 Battery Charging time (h) 3
 Beam angle (°): 120
 Amperage (A): 2.0
 Battery Specifications: 3.7V 2.0AH
 Environment: Dry
 Operating temp. range: -10°C to 40°C (14°F to 104°F)
 Dimming: Yes

¹ Lumen values are derived from photometric testing. Initial lumens range: +/- 10 %

TECHNICAL DRAWINGS AND DIMENSIONS



DESCRIPTION AND OTHER OPTIONS

MLF	/	BTRY	/	MGN	/	100-240	/	10W	/	CW	/	BL	/	STD
Family		Feature 1		Feature 2		Volts (V)		Watts (W)		Colour Temperature		Colour		Brand
MLF Mini Flood Light		BTRY Battery Powered		MGN Magnetic Handle		100-240 100-240 Volts		10W 10 Watts		CW Cool White		BL Black		STD STANDARD

Qty	Description	Price

I accept the specifications of the luminaire configuration mentioned above.

Name: _____
 Company: _____
 Signature: _____

Date: _____

Data is based upon tests performed in a controlled environment and representative of relative performance. Actual performance can vary depending on operating conditions. Specifications are subject to change without notice. February 11, 2019