

UNIVERSAL COMMERCIAL-CDU

ALL-IN-ONE LED DOWNLIGHT

4", 6" & 8"

The Universal Commercial downlight series is an all-in-one luminaire that will bring peace of mind to any project. With its high versatility, it enables to choose the right amount of light required as well as the color temperature that will bring out the best out of any space. The Universal Commercial downlight is perfect for both new construction and retrofit solution to replace existing CFL, HID and incandescent luminaires.

FEATURES AND SPECIFICATIONS

• Construction

Finishing

- White finish
- Aluminium
- Frosted polycarbonate lens
- Smooth recessed white baffle
- Spring mounting clips for easy installation
- Junction box not provided
- 4", 6" and 8" diameter sizes

• Compliances

- Energy Star
- ETL listed and classified

• Technical specifications

- 120-347 V
- Non-dimmable
- Switch on the driver box
- Power selectable
- Colour temperature selectable, 3 000 K / 3 500 K / 4 000 K
- 90+ CRI
- Estimated lifespan of 54 000 hours to L70
- Ambient temperature: -20°C to +40°C
- Suitable for wet location

OVERVIEW

Light source	LED
Diameter (inches)	4, 6, 8
Watts (W)	6 to 35
Lumen output (lm)	500 to 3 000
Efficiency (lm/W)	83 to 90
Color temperature (K)	3 000 / 3 500 / 4 000
CRI	90+
Weight (lbs)	1.82, 2.45, 2.91



QUICK SHIP AND TECHNICAL SPECIFICATION TABLE  ¹

Order code	Part number	Watts (W)	Volts (VAC)	Color temp. (K) ²	Lumen output (lm) ³	Efficiency (lm/W)	CRI	Life L70 (hrs) ⁴	Beam angle (°)	Finish	Power factor	THD (%)	Case qty (master)
4" Round													
67934	CDU4R-PS4Q/3CWH	6 / 9 / 12 / 15	120-347	3 000 / 3 500 / 4 000	500 / 750 / 1 000 / 1 200	83	90+	54 000	75	White	>0.9	<20	8
6" Round													
67935	CDU6R-PS4Q/3CWH	10 / 15 / 20 / 25	120-347	3 000 / 3 500 / 4 000	900 / 1 350 / 1 850 / 2 000	90	90+	54 000	85	White	>0.9	<20	8
8" Round													
67936	CDU8R-PS4Q/3CWH	20 / 25 / 30 / 35	120-347	3 000 / 3 500 / 4 000	1 850 / 2 200 / 2 700 / 3 000	90	90+	54 000	85	White	>0.9	<20	8

¹ **QUICK SHIP:** Product availability is subject to change without notice. Please contact your Stanpro customer service representative to confirm inventory levels at time of order.

² Typical color temperature range: +/- 5 %.

³ Lumen values are derived from photometric testing. Initial lumens range: +/- 10 %.

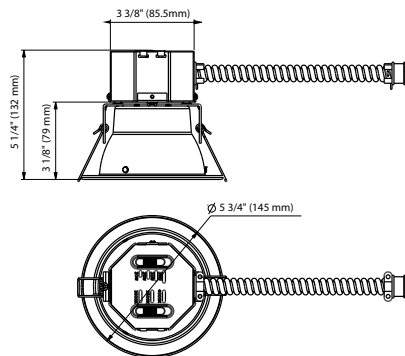
⁴ Life hours are derived from IESNA LM-80-08 testing report and projected per IESNA TM-21-11 extrapolations.

CEILING OPENING / HOUSING COMPATIBILITY

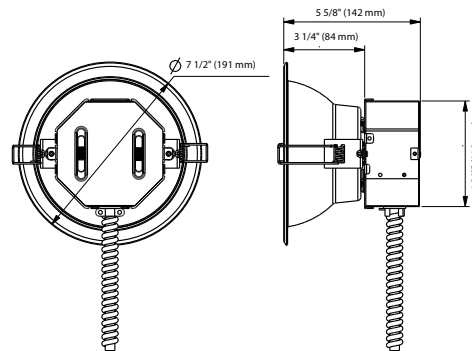
Model	Cutting hole diameter in. (mm)
67934 - CDU4R	4 3/4 (120.50)
67935 - CDU6R	6 3/8 (161.20)
67936 - CDU8R	7 7/8 (199.60)

DIMENSIONS

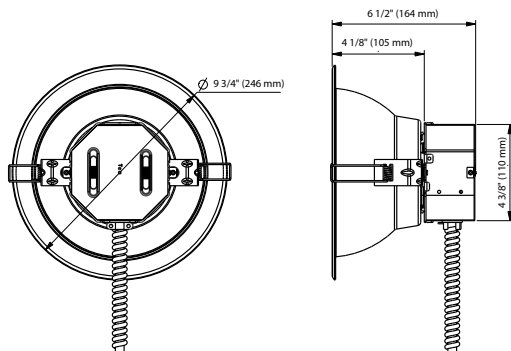
4"



6"



8"

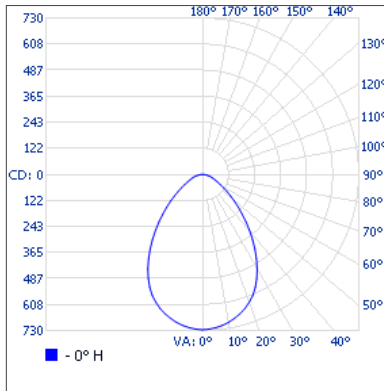


Data is based upon tests performed in a controlled environment. Actual performance can vary depending on operating conditions. All products are subject to change or may be discontinued any time without notice.

PHOTOMETRIC DATA¹

CDU4R-PS4Q/3CWH (15 W, 3 000 K) • 1 219.3 lm

Polar candela distribution



Zonal lumen summary

Zone	Lumens	% Fixture
0-30	523.6	42.4%
0-40	789.1	63.9%
0-60	1 117.8	90.5%
60-90	117.2	9.5%
0-90	1 235.0	100%

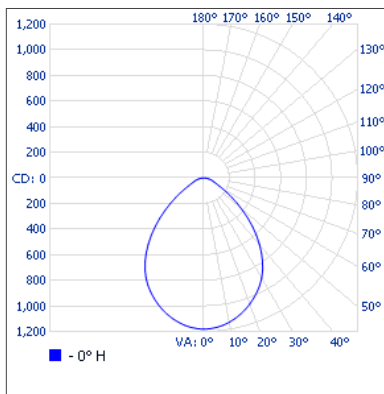
Illuminance at a distance

Center beam fc	Beam width
1.7'	2.7'
3.3'	5.3'
5.0'	8.0'
6.7'	10.7'
8.3'	13.3'
10.0'	16.0'

Vert. spread: 77.5°

CDU6R-PS4Q/3CWH (25 W, 3 000 K) • 2 321.6 lm

Polar candela distribution



Zonal lumen summary

Zone	Lumens	% Fixture
0-30	872.6	39.4%
0-40	1 368.8	61.8%
0-60	2 024.8	91.4%
60-90	190.2	8.6%
0-90	2 214.9	100%

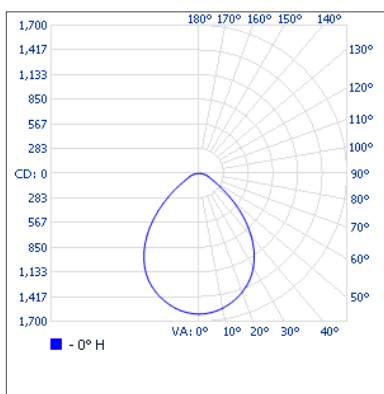
Illuminance at a distance

Center beam fc	Beam width
1.7'	3.2'
3.3'	6.2'
5.0'	9.3'
6.7'	12.5'
8.3'	15.5'
10.0'	18.7'

Vert. spread: 86.1°

CDU8R-PS4Q/3CWH (35 W, 3 000 K) • 3 188.5 lm

Polar candela distribution



Zonal lumen summary

Zone	Lumens	% Fixture
0-30	1 209.2	37.9%
0-40	1 900.1	59.6%
0-60	2 806.2	88%
60-90	290.3	9.1%
0-90	134.1	4.2%

Illuminance at a distance

Center beam fc	Beam width
1.7'	3.2'
3.3'	6.2'
5.0'	9.4'
6.7'	12.6'
8.3'	15.6'
10.0'	18.8'

Vert. spread: 86.4°

¹ Complete IES files available on our website.

Data is based upon tests performed in a controlled environment. Actual performance can vary depending on operating conditions. All products are subject to change or may be discontinued any time without notice.