

C-TR-A-BT22 Series

LED Architectural Basket Troffer - 2' x 2'

Replaces 2 x F32T8/U6 / 3 x F32T8/U6



HIGH EFFICIENCY, LIGHT WEIGHT DESIGN, FULLY BACKED BY CREE LIGHTING

Expect efficiency at an affordable price. A cost saving LED solution that delivers energy savings benefits while also offering an attractive design that blends into any ceiling.



PRODUCT SPECIFICATIONS

OVERVIEW

- Initial Delivered Lumens: 3,300 or 4,500
- CRI: ≥ 80
- CCT: Warm White 3500K, Neutral White 4000K, Cool White 5000K
- Mounting: Recessed
- Input Power: 26 or 35 Watts
- Dimmable: 0-10V dimming to 10%
- Operating Range: -20°C (-4°F) - 40°C (104°)
- Lifespan: Estimated >100,000 Hours
- Power Factor: > 0.9
- Total Harmonic Distortion: < 20%
- Limited Warranty: 5-Years*
- Replaces 2 x F32T8/U6 (33L) / 3 x F32T8/U6 (45L)

FEATURES	BENEFITS	RECOMMENDED USE
<ul style="list-style-type: none"> • Pre-installed driver • Powder coated aluminum frame • Opaque white acrylic lens 	<ul style="list-style-type: none"> • An easy-to-install upgrade from linear fluorescent lighting • Delivers optimal performance with up to 129 lumens per watt • Fully tested and backed by Cree Lighting 	<ul style="list-style-type: none"> • Offices • Educational & Retail • Commercial & Institutional

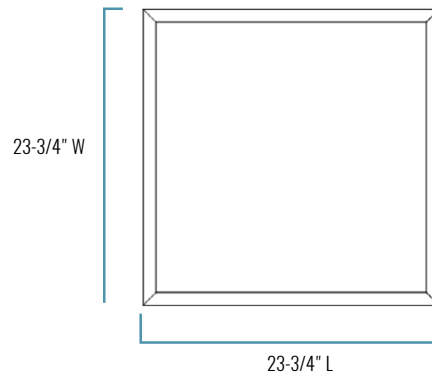
ORDERING INFORMATION

Example: C-TR-A-BT22-33L-35K-WH

C-TR	A	BT22			WH		
PRODUCT	SERIES	STYLE	LUMEN PACKAGE	CCT	COLOR	OPTIONS	CASE PACK QUANTITY
C-TR	A	BT22 LED Architectural Basket Troffer 2' x 2'	33L 3,300 Lumens 26W 45L 4,500 Lumens 35W	35K Warm White (3500K) 40K Neutral White (4000K) 50K Cool White (5000K)	WH White	EB Integrated Emergency Back Up Driver - Provides 90 minutes of emergency operation - 3,170 (33L) or 3,210 (45L) lumens in emergency mode - Maximum mounting height: 15' (4.6m)	4 - Not available with EB option

CERTIFICATIONS:

C-TR-A-BT22 Series



SERIES OVERVIEW

DIMENSIONS	PRODUCT WEIGHT	MOUNTING HEIGHT	SPACING
23-3/4" L x 23-3/4" W x 2-3/4" H	8.0 lbs.	8 to 15 feet	8' x 8' – 10' x 10'

FIXTURE SPECIFICATIONS

HOUSING	Durable aluminum construction White polyester powder-coat Sealed, maintenance-free fixture design
LENS ASSEMBLY	Precision engineered acrylic lens and polystyrene diffuser prevents hot spots, shadows and glare, while providing uniform illumination
MOUNTING	Recessed Installs into conventional grid ceiling Pre-installed driver

ELECTRICAL PERFORMANCE

OPERATING RANGE	LIFESPAN L ₇₀ AT 25°C (77°F)	POWER FACTOR	TOTAL HARMONIC DISTORTION	DIMMABLE
-20°C (-4°F) - 40°C (104°F)	Estimated >100,000 Hours	> 0.9	< 20%	0-10V dimming to 10%

LUMEN PACKAGE	SYSTEM WATTS (120-277V)	CURRENT DRAW (AMPS)			
		120V	208V	240V	277V
33L	26	0.22A	0.13A	0.11A	0.09A
45L	35	0.29A	0.17A	0.15A	0.13A

WARRANTY & CERTIFICATIONS

WARRANTY	ETL LISTED	DLC
5-Year Limited*	Damp Locations	DLC Premium Qualified Please refer to www.designlights.org/QPL for most current information

CA RESIDENTS WARNING: Cancer and Reproductive Harm –
www.p65warnings.ca.gov

© 2020 Cree Lighting, A company of IDEAL INDUSTRIES. All rights reserved. For informational purposes only. Content is subject to change. Patent www.creelighting.com/patents. C-LITE® and the C-LITE logo are registered trademarks of Cree Lighting, A company of IDEAL INDUSTRIES. The ETL Listed Intertek logo is a trademark of Intertek Testing Services NA, Inc. The DLC QPL Premium logo is a registered trademark of Efficiency Forward, Inc.

US: c-lite.com T (800) 236-6800 F (262) 504-5415

Canada: creelighting-canada.com T (800) 473-1234 F (800) 890-7507

Rev. Date: V301/10/2020

For informational purposes only. Content is subject to change. *See creelighting.com/warranty for details

C-LITE
LED LIGHTING