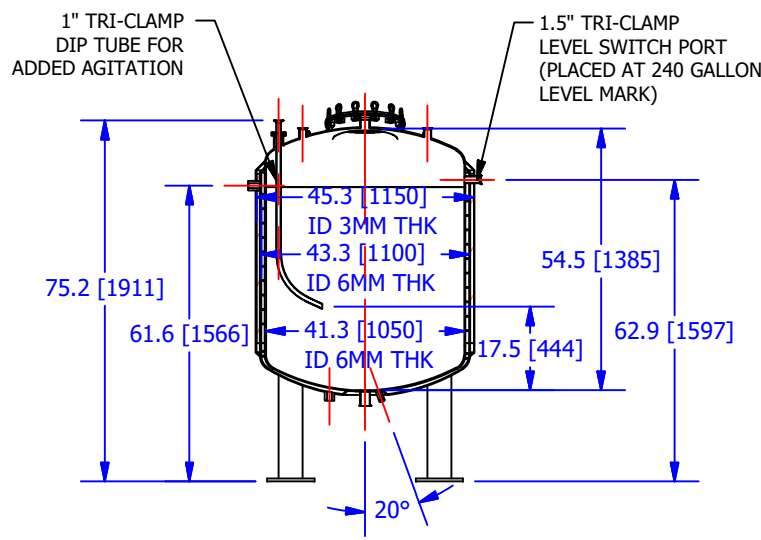
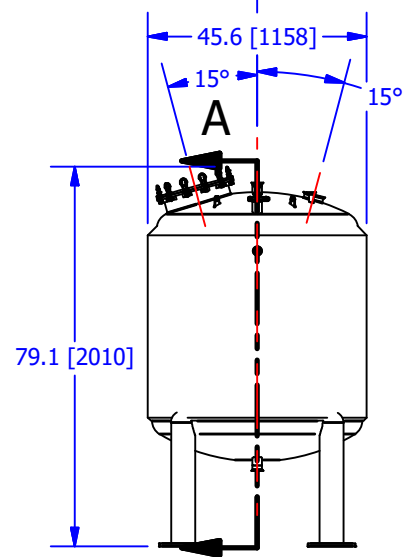
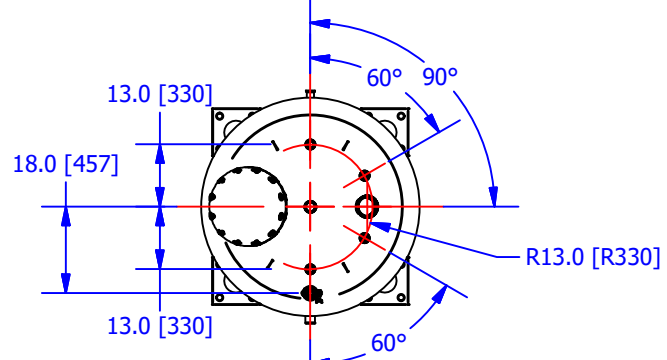
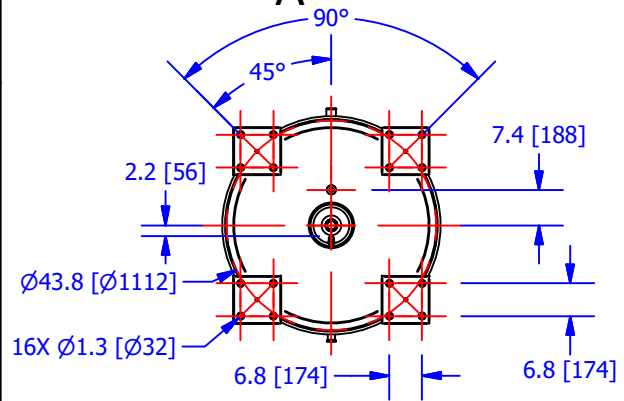


THIS DOCUMENT IS FOR REFERENCE ONLY AND IS PROPRIETARY INFORMATION BELONGING TO INTERNATIONAL FILTER PRODUCTS UNAUTHORIZED COPIES OR USE FOR OTHER PURPOSES STRICTLY PROHIBITED.

REVISIONS				
ZONE	REV	DESCRIPTION	DATE	APPROVED
	-	SALES DRAWING	1/15/2020	CD Morland
	A	ADDED LEVEL SWITCH PORT, CHANGED TOP 3/8" PORT TO 1" DIP TUBE PORT, CHANGED BOTTOM PORT 3/8" PORT TO 1/2" THERMOWELL PORT, AND UPDATED NOTES.	1/29/2020	CD Morland
	B	REMOVED ADJUSTABLE FOOT MOUNT TO HARD MOUNTING FOOT MOUNT FLANGE.	2/4/2020	CD Morland



SECTION A-A
SCALE 0.025 : 1



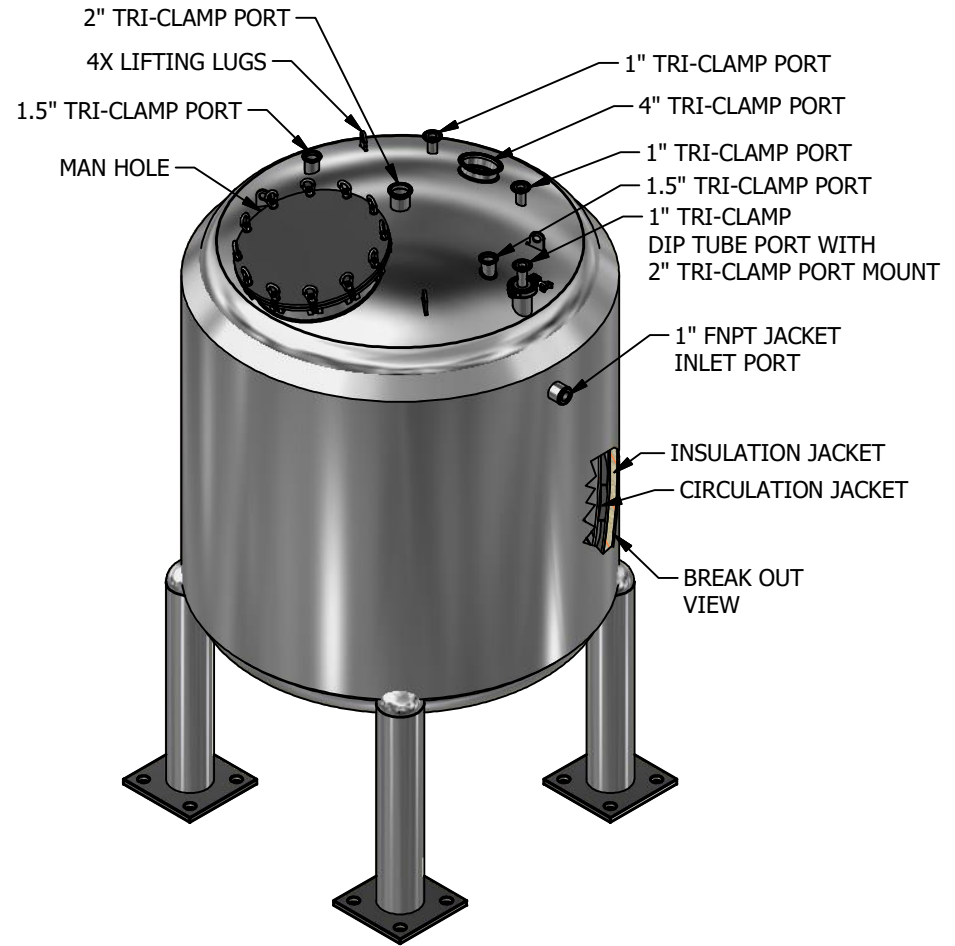
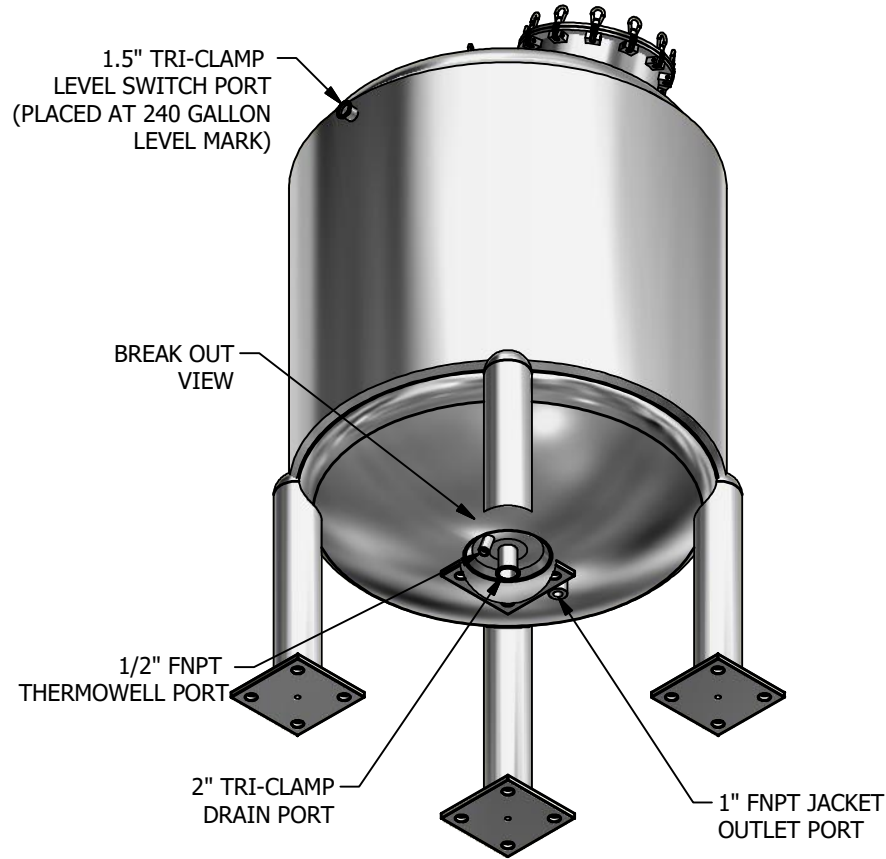
NOTES:

- 1.0 MATERIAL: 316L SS
- 2.0 WORKING VOLUME: 238 GALLONS [900 LITERS];
ACTUAL VOLUME: 295 GALLONS [1,116 LITERS]
- 3.0 THE DRAIN PORT: 2.0 INCH TRI-CLAMP
- 4.0 THE PROCESS VESSEL MUST BE JACKETED ON THE OUTSIDE, JACKET MATERIAL: 304 SS
- 5.0 INTERNAL WETTED SURFACES ARE 16 RA FINISH; EXTERNAL EXPOSED SURFACES ARE 25 RA FINISHED.
- 6.0 ALL SURFACES ARE TO BE PICKLED AND PASSIVATED. VISIBLE SURFACES TO BE ELECTRO-POLISHED.
- 7.0 GASKET MATERIAL: EPDM
- 8.0 THE TANK DESIGN CONDITIONS
HIGH 100 PSI [6.8 kPa] @ 212°F [100°C]
LOW 100 PSI [6.8 kPa] @ -40 °F [-40°C];
THE JACKET DESIGN PRESSURE IS
HIGH 100 PSI [6.8 kPa] @ 212°F [100°C]
LOW 100 PSI [6.8 kPa] @ -40 °F [-40 °C]
- 9.0 JACKET HAS BAFFLES TO ENSURE FLUID CIRCULATES EVENLY AROUND THE PROCESS FLUID VESSEL.
- 10.0 THE JACKET FLUID IS REFRIGERATION COOLANT, INLET/OUTLET PORT: 1 INCH FNPT
- 11.0 THE MATERIAL THICKNESSES FOR: (INNER VESSEL 6mm; JACKET LINING 6mm; INSULATION OUTER LINING 3mm)
- 12.0 FOUR LEGS ARE WELDED FOR SUPPORT.
- 13.0 THE VESSEL IS DESIGNED TO BE STEAM STERILIZED AT 126 C FOR 60 MINUTES.
- 14.0 THE TANK 1 INCH DIP TUBE IS MEANT FOR FILLING AND AGITATION.
- 15.0 THERMOWELL PORT: 1/2" FNPT

DRAWN YA Zanki CHECKED OS Ahmad APPROVED CD Morland	1/15/2020 1/15/2020 1/15/2020	International Filter Products 11070 Fleetwood St., Unit B Sun Valley, CA 91352 PHONE: 818-504-8115 FAX: 818-841-2947 email: www.internationalfilterproducts.com
UNLESS OTHERWISE SPECIFIED DIMENSIONS ARE IN INCHES DECIMALS FRACTIONS +/- 1/16 X +/- .030 ANGLES +/- 1/2 XX +/- .015 SURFACE ROUGHNESS 125 XXX +/- .005 CONCENTRICITIES .010 (FIM) INTERNAL RADII .015~.030 BREAK CORNERS .005~.015		TITLE TANK-E, JACKETED, PRESS, 900L
SIZE A SCALE NA	ISOF NO DWG NO IFP-021-1893	REV B WEIGHT 1880.404 lbmass SHEET 1 OF 2

THIS DOCUMENT IS FOR REFERENCE ONLY AND IS PROPRIETARY INFORMATION BELONGING TO INTERNATIONAL FILTER PRODUCTS UNAUTHORIZED COPIES OR USE FOR OTHER PURPOSES STRICTLY PROHIBITED.

REVISIONS				
ZONE	REV	DESCRIPTION	DATE	APPROVED
	-	SALES DRAWING	1/15/2020	CD Morland
	A	ADDED LEVEL SWITCH PORT, CHANGED TOP 3/8" PORT TO 1" DIP TUBE PORT, CHANGED BOTTOM PORT 3/8" PORT TO 1/2" THERMOWELL PORT, AND UPDATED NOTES.	1/29/2020	CD Morland
	B	REMOVED ADJUSTABLE FOOT MOUNT TO HARD MOUNTING FOOT MOUNT FLANGE.	2/4/2020	CD Morland



DRAWN YA Zanki	1/15/2020
CHECKED OS Ahmad	1/15/2020
APPROVED CD Morland	1/15/2020

International Filter Products

11070 Fleetwood St., Unit B
Sun Valley, CA 91352

PHONE: 818-504-8115
FAX: 818-941-2947
email: www.internationalfilterproducts.com

UNLESS OTHERWISE SPECIFIED
DIMENSIONS ARE IN INCHES

DECIMALS FRACTIONS +/- 1/16
X +/- .030 ANGLES +/- 1/2
XX +/- .015 SURFACE ROUGHNESS 125
XXX +/- .005

CONCENTRICITIES .010 (FIM)
INTERNAL RADII .015~.030
BREAK CORNERS .005~.015

TANK-E, JACKETED, PRESS, 900L			
SIZE A	ISOF NO	DWG NO IFP-021-1893	REV B
SCALE NA	WEIGHT 1880.404 lbmass	SHEET 2 OF 2	