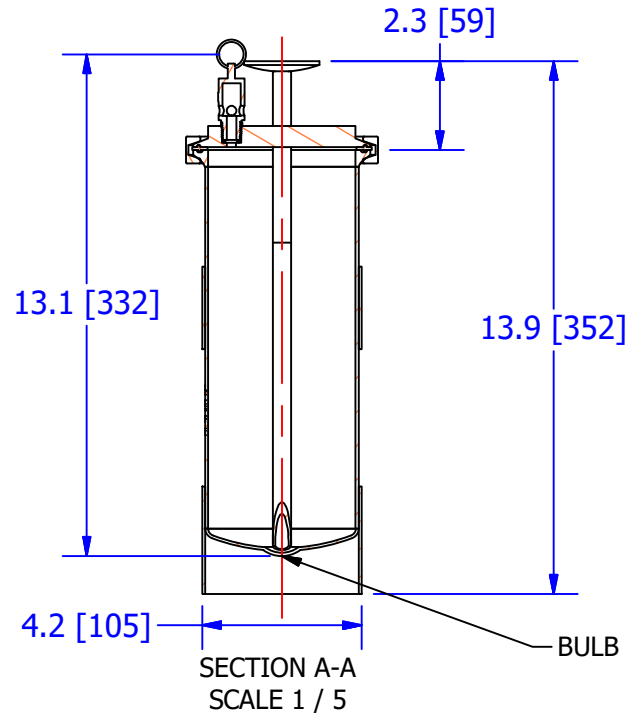
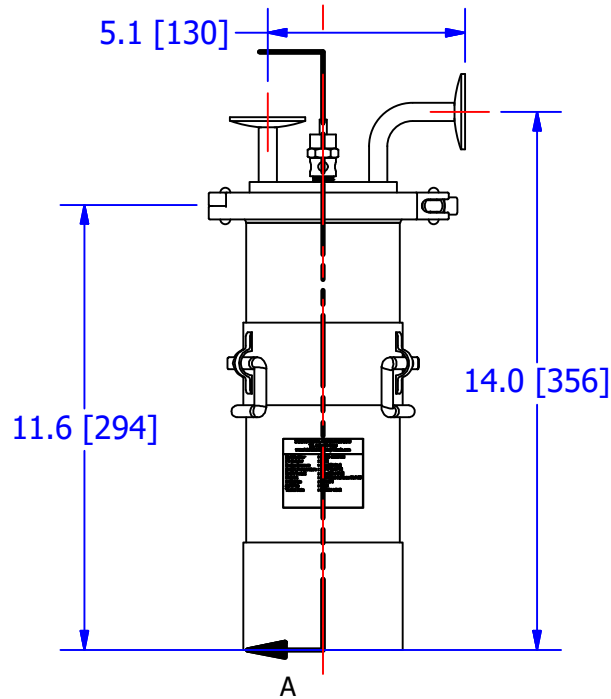
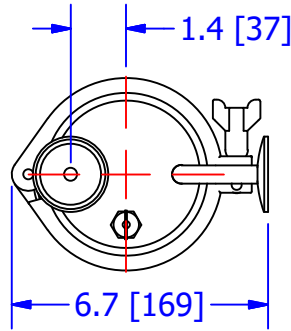


THIS DOCUMENT IS FOR REFERENCE ONLY AND IS PROPRIETARY INFORMATION BELONGING TO INTERNATIONAL FILTER PRODUCTS UNAUTHORIZED COPIES OR USE FOR OTHER PURPOSES STRICTLY PROHIBITED.

REVISIONS				
ZONE	REV	DESCRIPTION	DATE	APPROVED
	-	SALES DRAWING	7/16/2019	CD Morland
	A	ADDED O-RING FOR PRESSURE RELIEF VALVE	8/21/2020	CD Morland



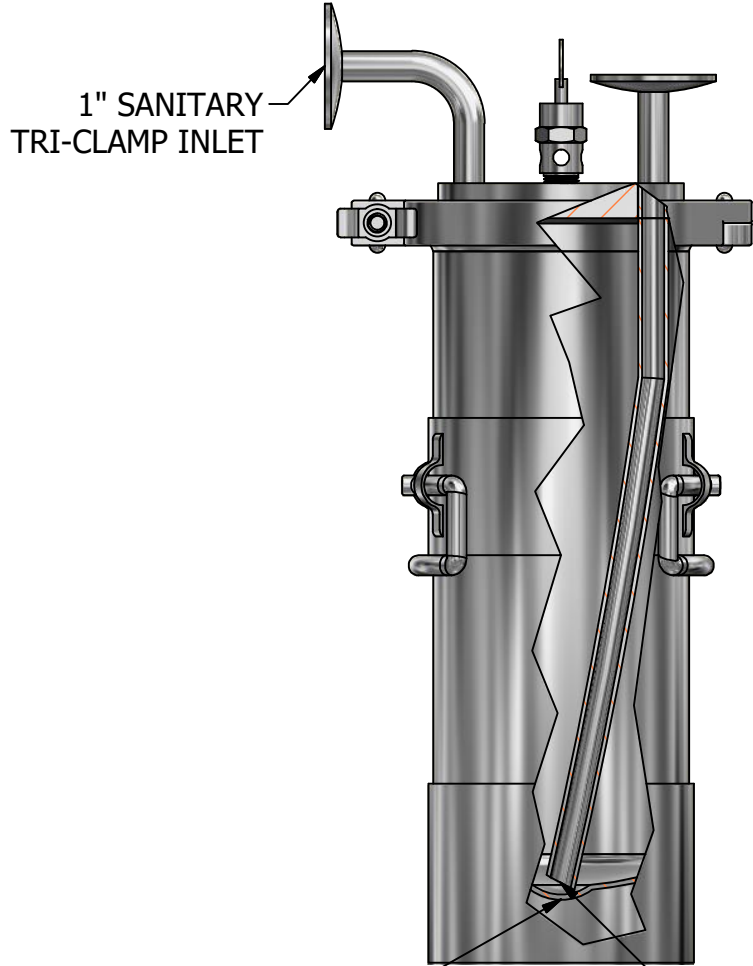
NOTES:

- 1.0 ALL WETTED SURFACES ARE: 316 L SS
- 2.0 INTERNAL SURFACE FINISH IS 16 RA; EXTERNAL 25 RA
- 3.0 PRESSURE POT DESIGNED FOR 57 PSI [4 BAR] @ 212 °F [100 °C]
- 4.0 PRESSURE POT WORKING VOLUME: 2L
- 5.0 INLET AND OUTLET PORTS: 1 INCH TRI-CLAMP
- 6.0 DOME SEAL MATERIAL: EPDM
- 7.0 HOUSING IS DESIGNED TO BE STEAM STERILIZED @ 270 °F [132 °C] FOR 30 MIN

DRAWN Owner CHECKED YA Zanki APPROVED CD Morland	9/24/2019 9/27/2019 9/27/2019	International Filter Products 7914 Ajay Dr. Sun Valley, CA 91352 PHONE: 818-504-8115 FAX: 818-941-2947 email: www.internationalfilterproducts.com	
UNLESS OTHERWISE SPECIFIED DIMENSIONS ARE IN INCHES DECIMALS FRACTIONS +/- 1/16 X +/- .030 ANGLES +/- 1/2 XX +/- .015 SURFACE ROUGHNESS 125 XXX +/- .005 CONCENTRICITIES .010 (FIM) INTERNAL RADII .015~.030 BREAK CORNERS .005~.015		TITLE PRESSURE POT, 2L, 316L SS	
SIZE A SCALE NA	ISOF NO	DWG NO IFP-021-1102	REV A
WEIGHT 8.951 lbmass		SHEET 1 OF 4	

THIS DOCUMENT IS FOR REFERENCE ONLY AND IS PROPRIETARY INFORMATION BELONGING TO INTERNATIONAL FILTER PRODUCTS UNAUTHORIZED COPIES OR USE FOR OTHER PURPOSES STRICTLY PROHIBITED.

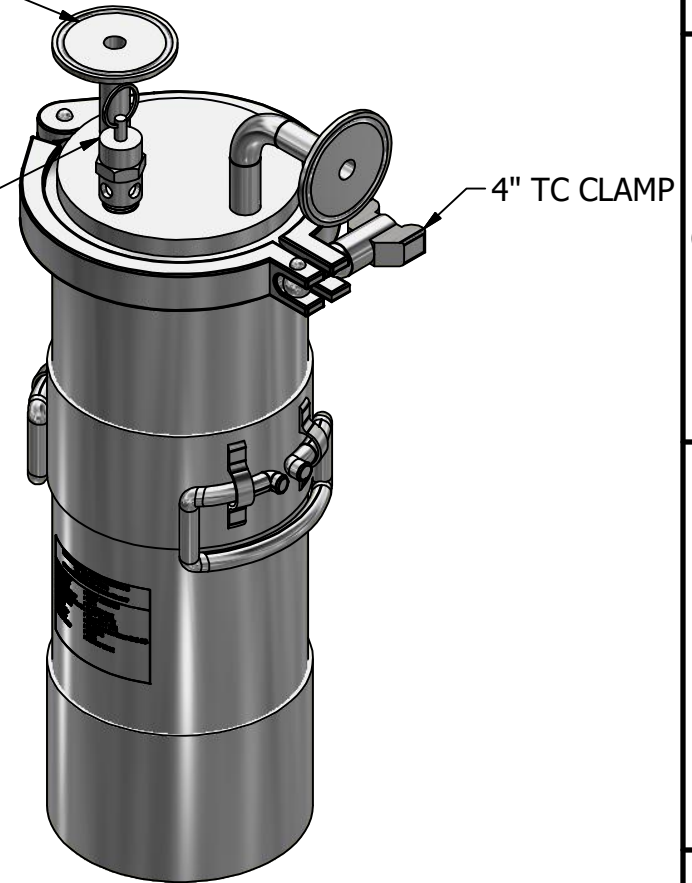
REVISIONS				
ZONE	REV	DESCRIPTION	DATE	APPROVED
	-	SALES DRAWING	7/16/2019	CD Morland
	A	ADDED O-RING FOR PRESSURE RELIEF VALVE	8/21/2020	CD Morland



BULB
DIP TUBE
(ASSIST WITH LIQUID EXTRACTION)

1" SANITARY TRI-CLAMP OUTLET

PRESSURE RELIEF VALVE
(SET @ 30 PSI [2 BAR])



DRAWN Owner	9/24/2019
CHECKED YA Zanki	9/27/2019
APPROVED CD Morland	9/27/2019

International Filter Products

7914 Ajay Dr. PHONE: 818-504-8115
Sun Valley, CA 91352 FAX: 818-941-2947
email: www.internationalfilterproducts.com

UNLESS OTHERWISE SPECIFIED
DIMENSIONS ARE IN INCHES

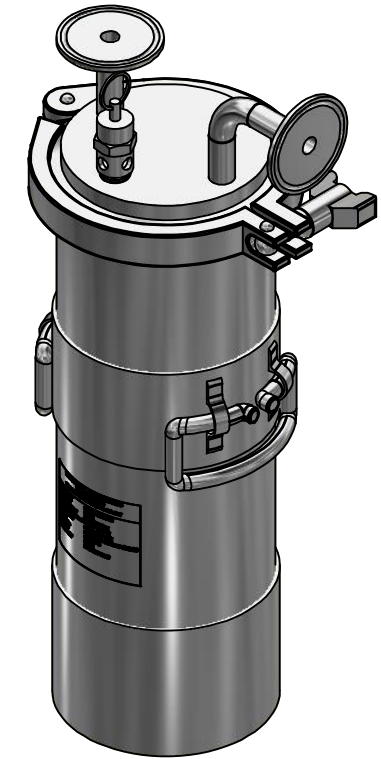
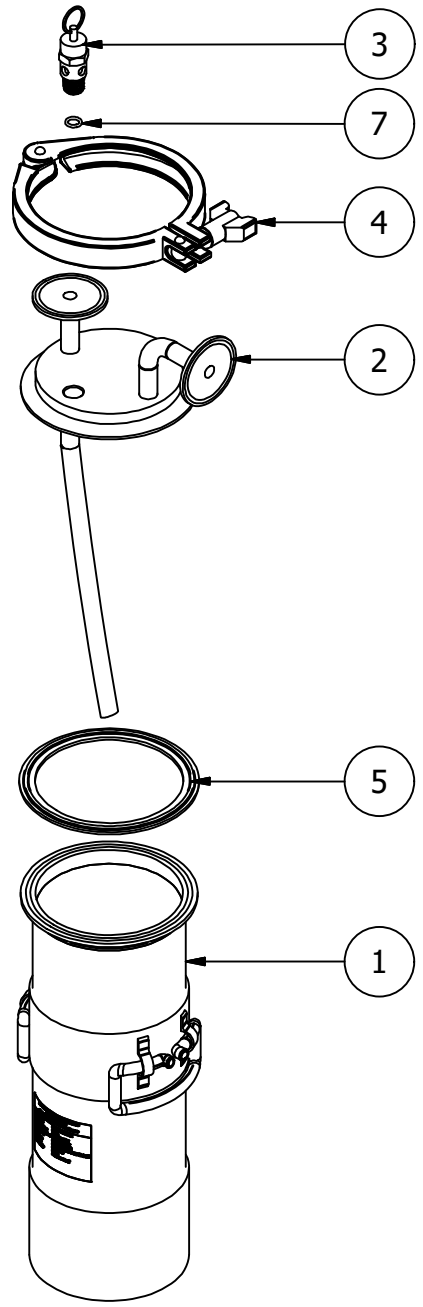
DECIMALS FRACTIONS +/- 1/16
X +/- .030 ANGLES +/- 1/2
XX +/- .015 SURFACE ROUGHNESS 125
XXX +/- .005

CONCENTRICITIES .010 (FIM)
INTERNAL RADII .015~.030
BREAK CORNERS .005~.015

TITLE			
PRESSURE POT, 2L, 316L SS			
SIZE A	ISOF NO	DWG NO IFP-021-1102	REV A
SCALE NA	WEIGHT 8.951 lbmass	SHEET 2 OF 4	

THIS DOCUMENT IS FOR REFERENCE ONLY AND IS PROPRIETARY INFORMATION BELONGING TO INTERNATIONAL FILTER PRODUCTS UNAUTHORIZED COPIES OR USE FOR OTHER PURPOSES STRICTLY PROHIBITED.

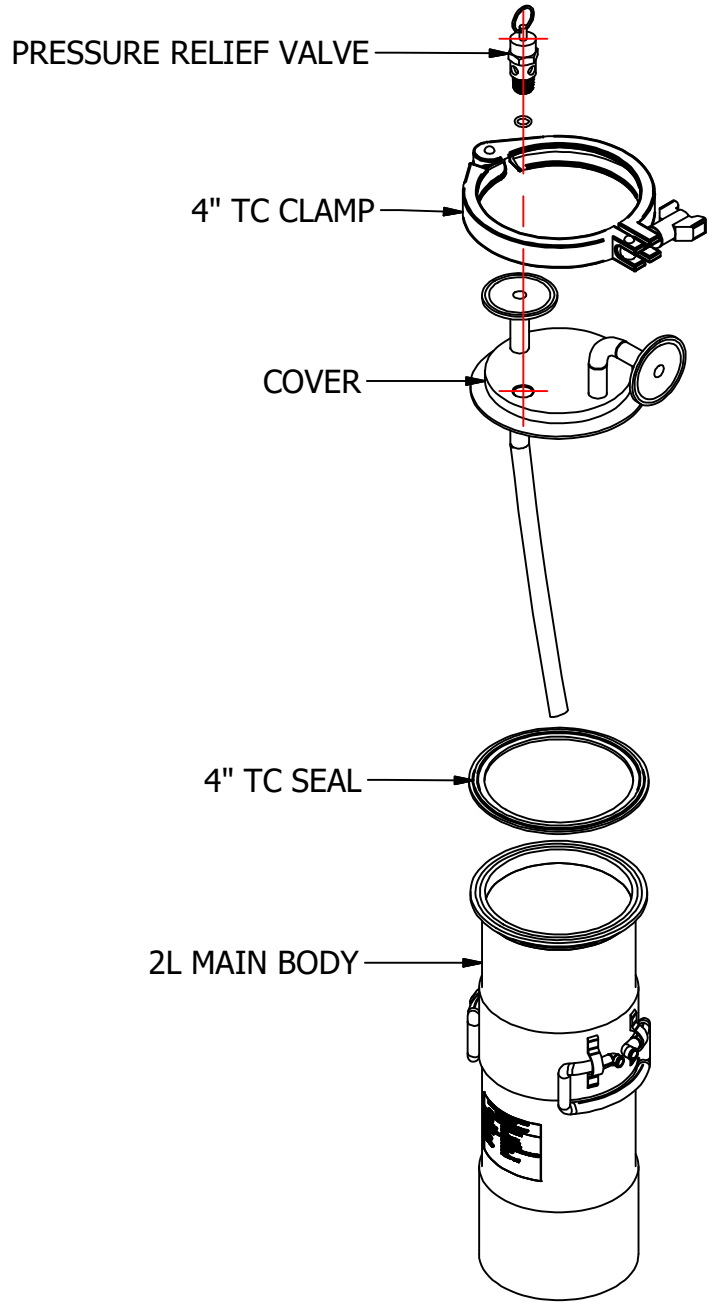
REVISIONS				
ZONE	REV	DESCRIPTION	DATE	APPROVED
	-	SALES DRAWING	7/16/2019	CD Morland
	A	ADDED O-RING FOR PRESSURE RELIEF VALVE	8/21/2020	CD Morland



ITEM	QTY	PART NUMBER	DESCRIPTION
7	1	IFP-09T-0002	SEAL, O-RING, 011, SILICONE
5	1	IFP-09U-0106	SEAL, TC, 4.0 INCH, EPDM
4	1	IFP-02D-1103	CLAMP, TC, 4.0 INCH
3	1	IFP-02E-1104	RELIEF VALVE, BSP PIPE THREAD, 0.25 INCH
2	1	IFP-021-1104	COVER, PRESS POT, 2L, 316L SS
1	1	IFP-021-1103	BASE, PRESS POT, 2L, 316L SS

BILL OF MATERIALS			
DRAWN Owner	9/24/2019	International Filter Products 7914 Ajay Dr. PHONE: 818-504-8115 Sun Valley, CA 91352 FAX: 818-941-2947 email: www.internationalfilterproducts.com	
CHECKED YA Zanki	9/27/2019		
APPROVED CD Morland	9/27/2019		
UNLESS OTHERWISE SPECIFIED DIMENSIONS ARE IN INCHES DECIMALS FRACTIONS +/- 1/16 X +/- .030 ANGLES +/- 1/2 XX +/- .015 SURFACE ROUGHNESS 125 XXX +/- .005 CONCENTRICITIES .010 (FIM) INTERNAL RADII .015~.030 BREAK CORNERS .005~.015		TITLE	
		PRESSURE POT, 2L, 316L SS	
SIZE A	ISOF NO	DWG NO IFP-021-1102	REV A
SCALE NA	WEIGHT 8.951 lbmass	SHEET 3	OF 4

THIS DOCUMENT IS FOR REFERENCE ONLY AND IS PROPRIETARY INFORMATION BELONGING TO INTERNATIONAL FILTER PRODUCTS UNAUTHORIZED COPIES OR USE FOR OTHER PURPOSES STRICTLY PROHIBITED.



DRAWN Owner		9/24/2019	International Filter Products 7914 Ajay Dr. Sun Valley, CA 91352 PHONE: 818-504-8115 FAX: 818-841-2947 email: www.internationalfilterproducts.com		
CHECKED YA Zanki		9/27/2019			
APPROVED CD Morland		9/27/2019			
UNLESS OTHERWISE SPECIFIED DIMENSIONS ARE IN INCHES					
DECIMALS	FRACTIONS +/- 1/16	TITLE PRESSURE POT, 2L, 316L SS			
X +/- .030	ANGLES +/- 1/2				
XX +/- .015	SURFACE ROUGHNESS 125				
XXX +/- .005					
CONCENTRICITIES .010 (FIM)		SIZE A	ISOF NO	DWG NO IFP-021-1102	REV A
INTERNAL RADII .015~.030		SCALE NA	WEIGHT 8.951 lbmass	SHEET 4 OF 4	
BREAK CORNERS .005~.015					