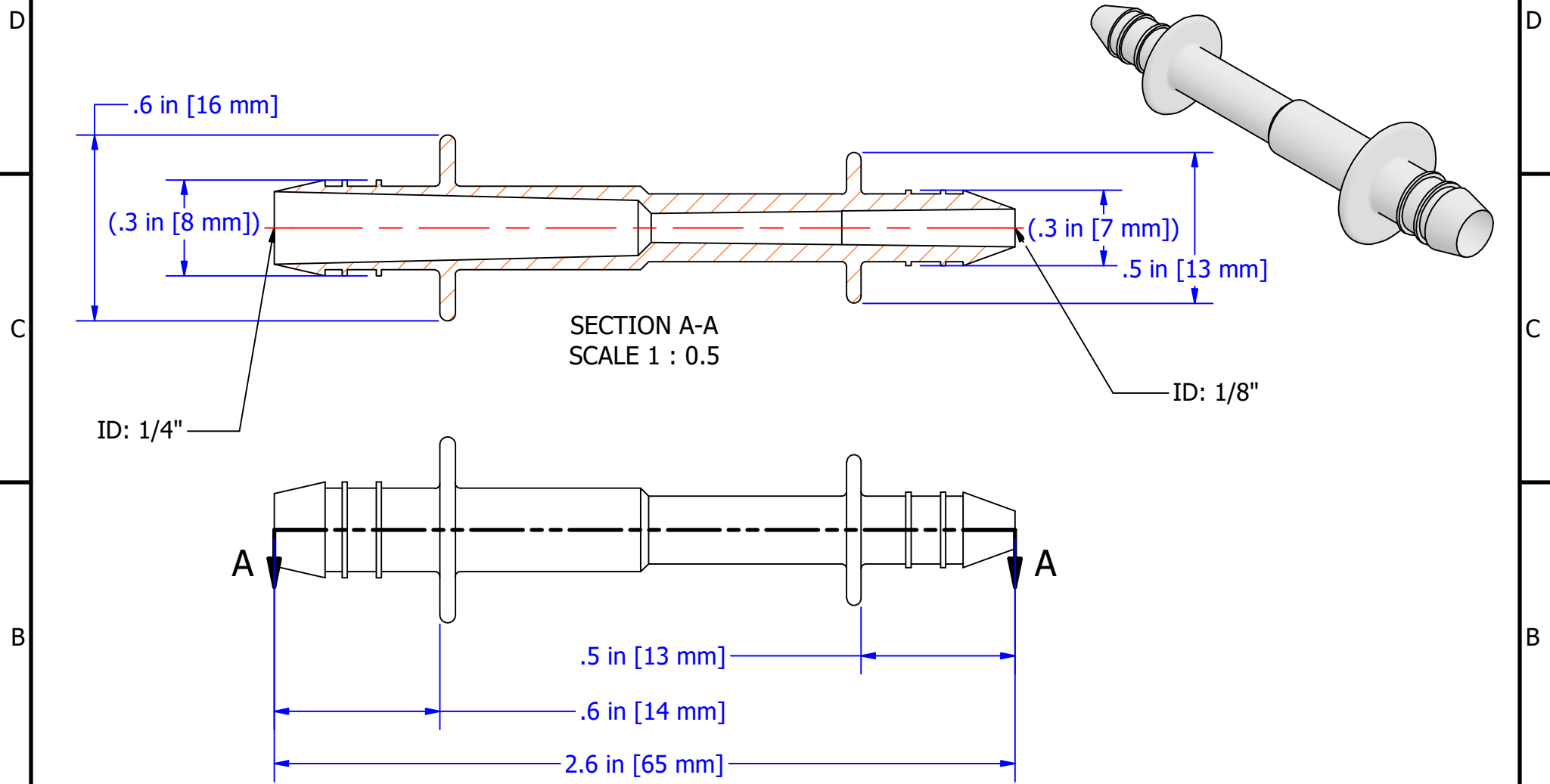


THIS DOCUMENT IS FOR REFERENCE ONLY AND IS PROPRIETARY INFORMATION BELONGING TO INTERNATIONAL FILTER PRODUCTS UNAUTHORIZED COPIES OR USE FOR OTHER PURPOSES STRICTLY PROHIBITED.

REVISIONS				
ZONE	REV	DESCRIPTION	DATE	APPROVED
	-	SALES DRAWING	10/28/2022	YA ZANKI



- NOTE:**
- 1.0 Material: Polypropylene
 - 2.0 Can be Sterilized by Gamma Radiation
 - 3.0 Max. Working Pressure @ 200 °F (93.3 °C): 100 PSI
 - 4.0 Max. Working Pressure @ 72 °F (22.2 °C): 250 PSI
 - 5.0 Max. Working Temperature: 200 °F (93.3 °C)
 - 6.0 Manufactured and Packaged in a Certified Clean Room
 - 7.0 Regulatory Information is Found in Catalog

DRAWN NV GABRIEL 10/7/2022		International Filter Products 7914 AJAY DRIVE PHONE: 818-504-8115 SUN VALLEY, CA 91352 FAX: 818-841-2947 email: charlie@internationalfilterproducts.com				
CHECKED YA ZANKI 10/28/2022					TITLE FITTING, REDUCER 2 WAY, ID 0.125 in x 0.25 in, PP	
APPROVED YA ZANKI 10/28/2022					SIZE A	DWG NO PFR125X250PPAF
UNLESS OTHERWISE SPECIFIED DIMENSIONS ARE IN INCHES						
DECIMALS	FRACTIONS +/- 1/16	ANGLES +/- 1/2				
XX +/- .015	SURFACE ROUGHNESS 125					
XXX +/- .005	CONCENTRICITIES .010 (FIM)					
INTERNAL RADII .015~.030						
BREAK CORNERS .005~.015						
SCALE	NA	WEIGHT	SHEET 1 OF 1			