

4

3

2

1

THIS DOCUMENT IS FOR REFERENCE ONLY AND IS PROPRIETARY INFORMATION BELONGING TO INTERNATIONAL FILTER PRODUCTS UNAUTHORIZED COPIES OR USE FOR OTHER PURPOSES STRICTLY PROHIBITED.

REVISIONS				
ZONE	REV	DESCRIPTION	DATE	APPROVED
	1	Production Release	8/25/2020	CD Morland

D

D

C

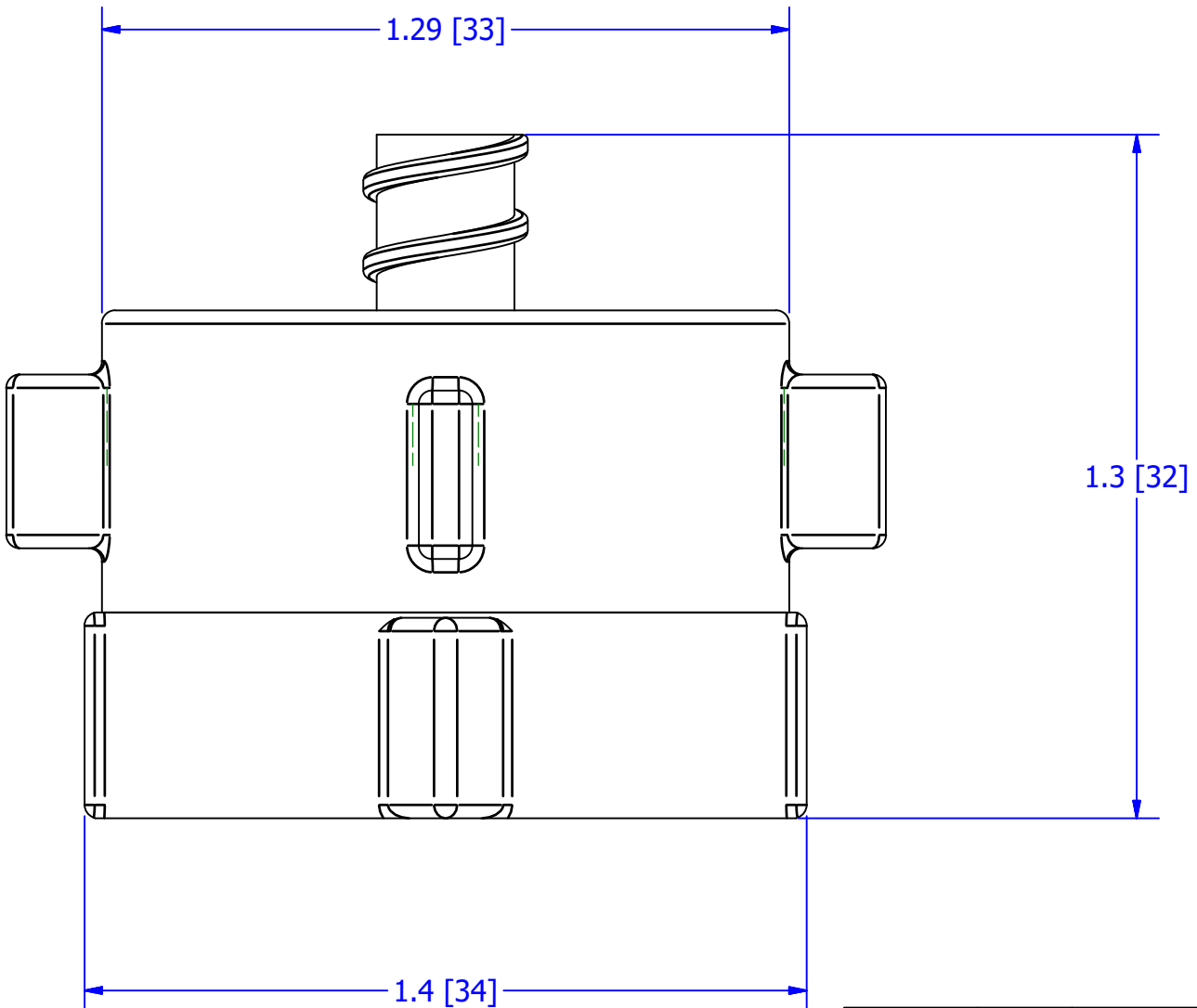
C

B

B

A

A



DRAWN ONYX A	8/12/2020
CHECKED YA ZANKI	8/25/2020
APPROVED CD MORLAND	8/25/2020

**International Filter Products**  
 11070 Fleetwood St., Unit B    PHONE: 818-504-8115  
 Sun Valley, CA 91352    FAX: 818-841-2947  
 email: www.internationalfilterproducts.com

UNLESS OTHERWISE SPECIFIED  
 DIMENSIONS ARE IN INCHES  
 DECIMALS    FRACTIONS +/- 1/16  
 X +/- .030    ANGLES +/- 1/2  
 XX +/- .015    SURFACE ROUGHNESS 125  
 XXX +/- .005  
 CONCENTRICITIES .010 (FIM)  
 INTERNAL RADII .015~.030  
 BREAK CORNERS .005~.015

TITLE <b>DISC HOLDER, 25MM, PP</b>			
SIZE <b>A</b>	ISOF NO	DWG NO <b>IFP-141-1025-P</b>	REV <b>1</b>
SCALE NA	WEIGHT N/A	SHEET <b>1</b> OF <b>3</b>	

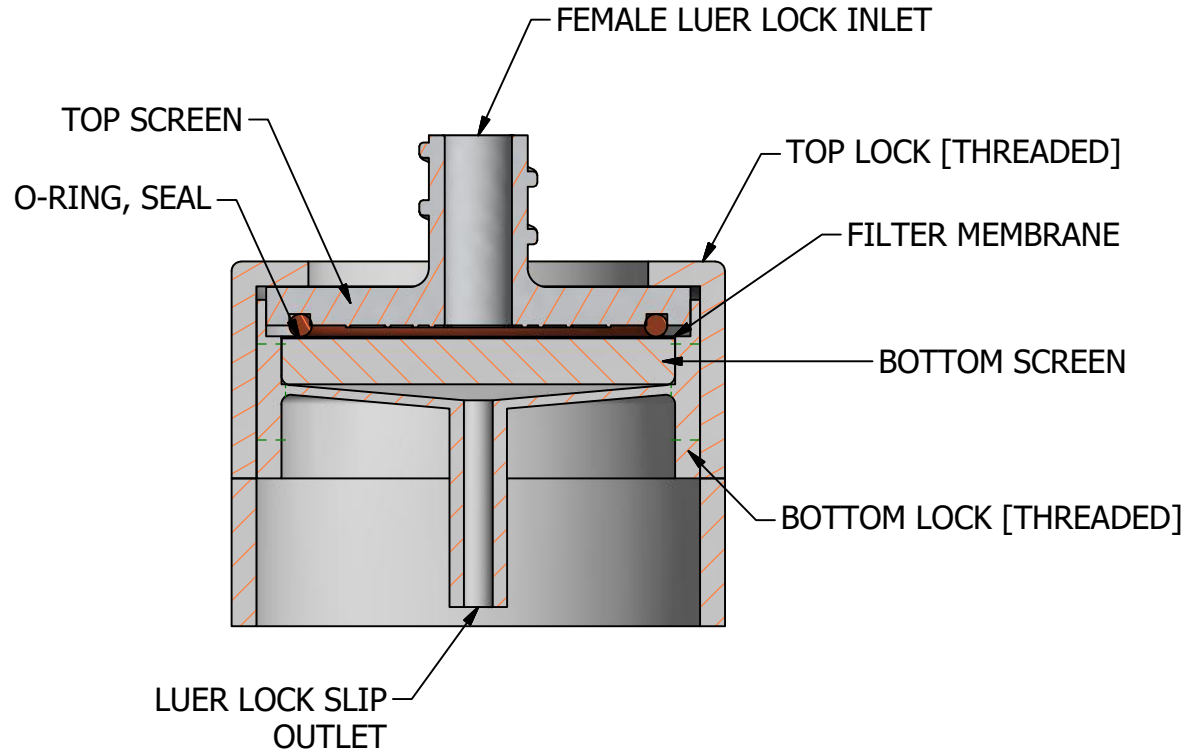
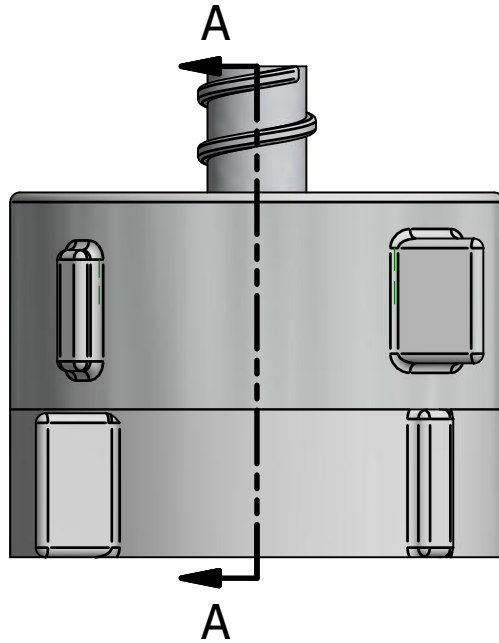
4

3

2

1

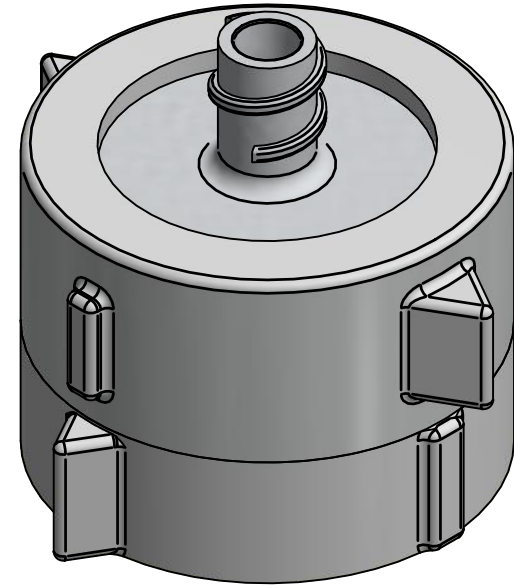
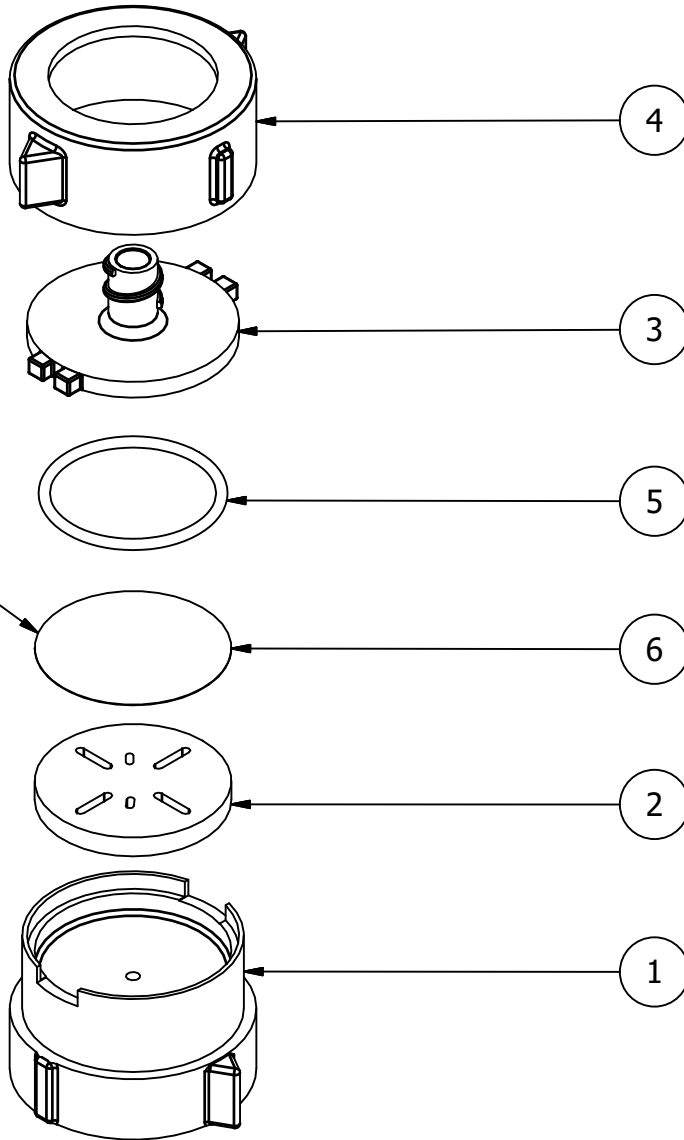
THIS DOCUMENT IS FOR REFERENCE ONLY AND IS PROPRIETARY INFORMATION BELONGING TO INTERNATIONAL FILTER PRODUCTS UNAUTHORIZED COPIES OR USE FOR OTHER PURPOSES STRICTLY PROHIBITED.



SECTION A-A  
SCALE 2 : 1

DRAWN ONYX A		8/12/2020		<b>International Filter Products</b> 11070 Fleetwood St., Unit B      PHONE: 818-504-8115 Sun Valley, CA 91352      FAX: 818-841-2947 email: www.internationalfilterproducts.com	
CHECKED YA ZANKI		8/25/2020			
APPROVED CD MORLAND		8/25/2020			
UNLESS OTHERWISE SPECIFIED DIMENSIONS ARE IN INCHES				TITLE	
DECIMALS      FRACTIONS +/- 1/16		X +/- .030      ANGLES +/- 1/2		<b>DISC HOLDER, 25MM, PP</b>	
XX +/- .015      SURFACE ROUGHNESS 125		XXX +/- .005			
CONCENTRICITIES .010 (FIM)		SIZE	ISOF NO	DWG NO	REV
INTERNAL RADII .015~.030		A		IFP-141-1025-P	1
BREAK CORNERS .005~.015		SCALE	WEIGHT	SHEET	OF
		NA	N/A	2	3

THIS DOCUMENT IS FOR REFERENCE ONLY AND IS PROPRIETARY INFORMATION BELONGING TO INTERNATIONAL FILTER PRODUCTS UNAUTHORIZED COPIES OR USE FOR OTHER PURPOSES STRICTLY PROHIBITED.



6	1	IFP-14J-2505	FILTER MEMBRANE, DISC HOLDER, 25MM, PP
5	1	IFP-09T-0028	O-RING, DISC-HOLDER, 25MM, T
4	1	IFP-14J-2501	TOP, DISC HOLDER, 25MM PP
3	1	IFP-14J-2504	SCREEN, TOP, DISC HOLDER, 25MM, PP
2	1	IFP-14J-2503	SCREEN, BOTTOM, DISC HOLDER, 25MM, PP
1	1	IFP-14J-2502	BOTTOM, DISC HOLDER, 25MM, PP
ITEM	QTY	PART NUMBER	DESCRIPTION

BILL OF MATERIALS

DRAWN ONYX A		8/12/2020		<b>International Filter Products</b> 11070 Fleetwood St., Unit B      PHONE: 818-504-8115 Sun Valley, CA 91352      FAX: 818-841-2947 email: www.internationalfilterproducts.com	
CHECKED YA ZANKI		8/25/2020			
APPROVED CD MORLAND		8/25/2020			
UNLESS OTHERWISE SPECIFIED DIMENSIONS ARE IN INCHES					
DECIMALS	FRACTIONS +/- 1/16				
X +/- .030	ANGLES +/- 1/2				
XX +/- .015	SURFACE ROUGHNESS 125				
XXX +/- .005					
CONCENTRICITIES .010 (FIM)					
INTERNAL RADII .015~.030					
BREAK CORNERS .005~.015					
TITLE		DISC HOLDER, 25MM, PP			
SIZE A	ISOF NO	DWG NO IFP-141-1025-P	REV 1		
SCALE NA	WEIGHT N/A	SHEET 3 OF 3			