



## MZP Series PES Dual Layer Filter Capsules

MZP-Series PES capsules are gamma-irradiatable, easy-to-use filtration units, ideally suited for integration into single-use sterile assemblies. The hydrophilic, asymmetric Polyethersulfone (PES) membrane demonstrates exceptional throughput capacity and flow performance in liquid applications. The materials and design were carefully selected to ensure quick and reliable pre- and post-use integrity testing in critical biopharmaceutical applications. The filter capsules are available in a complete spectrum of sizes to simplify scale-up throughout each stage of the drug development process

### Application

- Buffers and Media
- SVP (Small Volume Parenteral)
- Vaccines
- Scale up processing
- Product Sterilization
- Bio Bags
- Biologics
- Ultrapure Water
- Fermentation Broths
- Pharmaceuticals
- Antibiotics
- Serums

Part# **MZPXS020D3H3H**: MZP Filter Capsule with 3/8" Hose Barb Inlet/outlet Connection





## Technical Data Sheet

### Popular Configuration:

Catalog Number	Micron Rating	Inlet Connection	Outlet Connection	Vent Connection	Gamma Sterilization
MZPXS020D3H3H	0.65 µm / 0.2 µm (Dual Layer)	3/8" Hose Barb	3/8" Hose Barb	Luer Loc Cap	up to 50kGy

❖ Find the complete list of available standard inlet and outlet fittings in page 5.

### Micron Rating:

**Final Membrane:** 0.2 µm PES [Sterilizing Grade Membrane]

**Pre-Filter:** Highly Asymmetric 0.65 µm PES

### Effective Filtration Area:

Mini Capsule; 77.5 in<sup>2</sup> (500 cm<sup>2</sup>)

### Materials of Construction:

Membrane: Pharmaceutical Grade PES (Polyethersulfone) Sterilizing Grade

Membrane Feature: Hydrophilic, Low Protein Binding, High Flow Rate

Media Supports: Polypropylene

Cage, Core, End Caps: Polypropylene

Valve O-Rings: Silicon (Standard)

Sealing: Thermally Bonded

### Operating Conditions:

Maximum Forward Differential Pressure: **Liquid:** 5.5 bar (80psi) at 77°F/25°C

**Gas:** 4.1 bar (60psi) at 77°F/25°C

Minimum Burst Pressure: 8.3 bar (120psi) at 77°F/25°C

Maximum Reverse Differential Pressure: 3.0 bar (44psi) at 68°F/20°C

Maximum Operating Temperature: 176°F/80°C



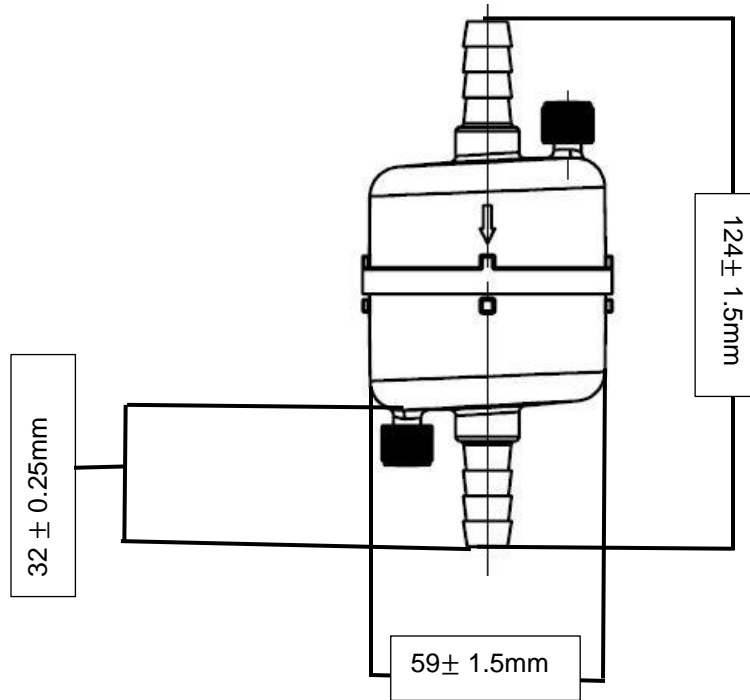


# International Filter Products

*Revolutionary systems for your industry*

## Nominal Dimension:

**Part Number:** MZPXS020D3H3H



## Hold-Up Volume (Approx.):

Upstream Volume: 36 ml

Downstream Volume: 13 ml

## Typical Filtered Volume:

10.0L – 28.0L

## Filter Integrity:

The finished product was sampled and shown to exhibit a minimum bubble point of  $\geq 18$  psi (1.2 bar) in 60%IPA / 40% water and  $\geq 50$  psi (3.5 bar) in DI Water ( at 22°C ).

## Sterilization:

Gamma Irradiation: The filters can be Gamma Sterilized up to 50kGy.

Autoclave: The filters can be autoclaved up to 10 cycles at 125°C (257°F) for 30 minutes.

*Warning:* The filters cannot be sterilized by steam-in-place (SIP)

## Shelf Life:

The MZP capsules have a shelf life of 3 years from the date of manufacture.



**International Filter Products**  
*Revolutionary systems for your industry*

[www.internationalfilterproducts.com](http://www.internationalfilterproducts.com)  
11070 Fleetwood St. Unit B  
Sun Valley, CA 91352  
Tel: (818) 504-8115 - Office  
Tel: (818) 917-9538 - Cell  
E-mail: [sales@internationalfilterproducts.com](mailto:sales@internationalfilterproducts.com)



# International Filter Products

*Revolutionary systems for your industry*

## Regulatory Compliance:

Category	Standard or Reference Test
Physiochemical	<ul style="list-style-type: none"> <li>• USP Oxidizable Substances</li> <li>• USP &lt;645&gt; Conductivity</li> <li>• USP &lt;643&gt; Non-Volatile Residue</li> <li>• Total Organic Carbon (TOC) Analysis</li> </ul>
Cleanliness	<ul style="list-style-type: none"> <li>• USP &lt;85&gt; Bacterial Endotoxin Test</li> <li>• USP &lt;788&gt; Particulate Matter</li> <li>• 21 CFR 210.72 and 2010.3 (b) (6) Fiber Shedding</li> </ul>
Biocompatibility	<ul style="list-style-type: none"> <li>• ASTM F756-17 Hemolysis</li> <li>• USP &lt;88&gt; (USP Class VI Plastics) Biological Reactivity Tests, In Vivo</li> <li>• USP &lt;87&gt; / ISO 10993-5, In Vitro Cytotoxicity</li> <li>• 21 CFR 177 FDA Indirect Food Additive</li> </ul>
Bacterial Retention	Quantitative retention of $10^7$ CFU/cm <sup>2</sup> <i>Brevundimonas diminuta</i> per ASTM methodology
USP Bacterial Endotoxins	A representative sample from the lot is tested to confirm that an aqueous extraction of the product contains <0.25 EU/mL as determined by the Limulus Amebocyte Lysate (LAL) Test.
Animal-derived Components	No animal-derived material is intentionally added or used during the manufacture of PureFlo Z Series PES Capsules.
RoHS	Restriction of Hazardous Substances (RoHS 3) Directive 2015/863
REACH	REACH (Registration, Evaluation, Authorization and Restriction of Chemicals) Article 57, Regulation No. 1907/2006)
Traceability	<p>For traceability and easy identification:</p> <ul style="list-style-type: none"> <li>• A Certificate of Conformance is provided with each capsule.</li> <li>• Each filter bag and box are labeled with the product part number, lot number, and identifying characteristics.</li> <li>• Each capsule is engraved and labeled with the product part number, lot number, and identifying characteristics.</li> </ul>



**International Filter Products**  
*Revolutionary systems for your industry*

[www.internationalfilterproducts.com](http://www.internationalfilterproducts.com)  
11070 Fleetwood St. Unit B  
Sun Valley, CA 91352  
Tel: (818) 504-8115 - Office  
Tel: (818) 917-9538 - Cell  
E-mail: [sales@internationalfilterproducts.com](mailto:sales@internationalfilterproducts.com)





# International Filter Products

Revolutionary systems for your industry

## MZP- PureFlo® Z Series PES Mini Capsules

### Ordering Guide



[1]	[2]	[3] Inlet and [4] Outlet	[5]	[6]
Micron Rating (Pre-Filter/Final Filter)	Filter Size Code [Filtration Area]	Inlet and Outlet Connection	Optional Feature	Optional Vent Configuration
<ul style="list-style-type: none"> <li>S010 : 0.1 μm</li> <li>S020 : 0.2 μm</li> <li>ZS010 : 0.2/0.1 μm</li> <li>ZS020 : 0.45/0.2 μm</li> <li>XS010 : 0.45/0.1 μm</li> <li>XS020 : 0.65/0.2 μm</li> </ul> <p>Note: All final membranes are sterilizing grade.</p>	<p><b>.B</b> [Filtration Area: 360 cm<sup>2</sup>]</p> <p><b>.C</b> [Filtration Area: 420 cm<sup>2</sup>]</p> <p><b>.D</b> [Filtration Area: 500 cm<sup>2</sup>]</p>	<ul style="list-style-type: none"> <li>1H : 1/8" Hose Barb</li> <li>2H : 1/4" Hose Barb</li> <li>3H : 3/8" Hose Barb</li> <li>4H : 1/2" Hose Barb</li> <li>5H : 9/16" Hose Barb</li> <li>LF : Female Luer Lock</li> <li>LM : Male Luer Lock</li> <li>MT : 1/2" Tri-Clamp</li> <li>TC : 1 1/2" Tri-Clamp</li> </ul>	<p><b>-FC</b> Filling Bell (2H only)</p>	<p><b>-NO</b> No vent near outlet</p> <p><b>-NI</b> No vent near inlet</p>

### Example:

**MZPXS020D3H3H**

PureFlo MZP Series Mini Capsule, Highly Asymmetric Dual Layer PES 0.65μm / 0.2μm PES membrane (Sterilizing Grade), Filtration Area 500 cm<sup>2</sup>, 3/8" Hose Barb (Inlet/Outlet)

Part Number

Description



# International Filter Products

Revolutionary systems for your industry

www.internationalfilterproducts.com  
 11070 Fleetwood St. Unit B  
 Sun Valley, CA 91352  
 Tel: (818) 504-8115 - Office  
 Tel: (818) 917-9538 - Cell  
 E-mail: sales@internationalfilterproducts.com



# International Filter Products

*Revolutionary systems for your industry*

## Special Configuration:

### Layer Option:

- Single Layer
- Dual Layer

### Micron Rating Option:

- 0.04 Micron
- 0.1 Micron
- 0.2 Micron
- 0.45 Micron
- 0.65 Micron
- 0.8 Micron
- 1.2 Micron

### Inlet Fitting Option:

- 1H : 1/8" Hose Barb
- 1Q : 1/8" Male Quick Coupling with Metal Latch
- 2H : 1/4" Hose Barbs
- 2H-FB : 1/4" Hose barbs with Filling Bell
- 2Q : 1/4" Male Quick Coupling for Metal Latch
- 2N : 1/4" MNPT
- LF : Luer Loc Female
- MT : 1/2" Tri clamps

### Outlet Fitting Option:

- 1H : 1/8" Hose Barb
- 1Q : 1/8" Male Quick Coupling with Metal Latch
- 2H : 1/4" Hose Barbs
- 2H-FB : 1/4" Hose barbs with Filling Bell
- 2Q : 1/4" Male Quick Coupling for Metal Latch
- 2N : 1/4" MNPT
- LM : Luer Loc Male
- MT : 1/2" Tri clamps



**International Filter Products**

*Revolutionary systems for your industry*

[www.internationalfilterproducts.com](http://www.internationalfilterproducts.com)  
11070 Fleetwood St. Unit B  
Sun Valley, CA 91352

Tel: (818) 504-8115 - Office

Tel: (818) 917-9538 - Cell

E-mail: [sales@internationalfilterproducts.com](mailto:sales@internationalfilterproducts.com)