

THIS DOCUMENT IS FOR REFERENCE ONLY AND IS PROPRIETARY INFORMATION BELONGING TO INTERNATIONAL FILTER PRODUCTS. UNAUTHORIZED COPIES OR USE FOR OTHER PURPOSES STRICTLY PROHIBITED.

REVISIONS				
ZONE	REV	DESCRIPTION	DATE	APPROVED
	-	SALES DRAWING	6/30/2020	CD Morland

4

3

2

1

D

D

C

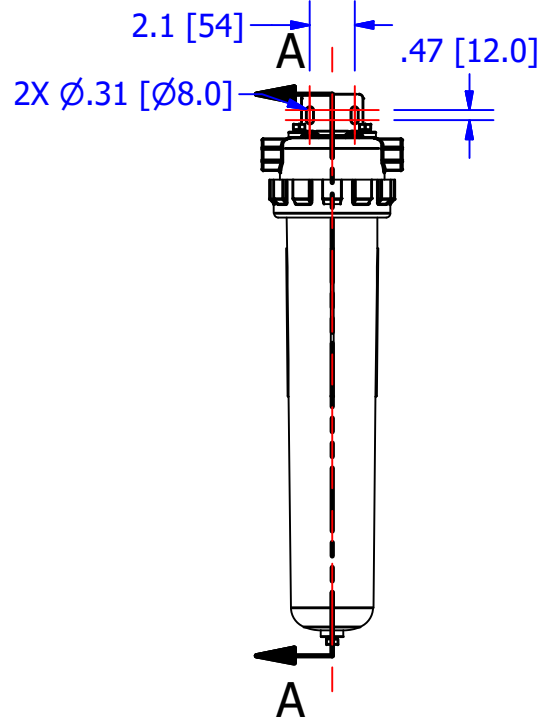
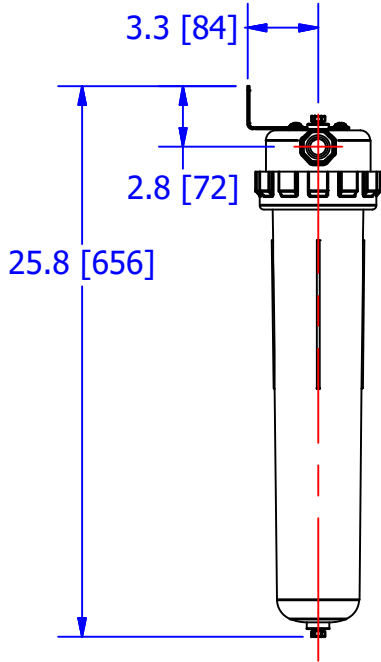
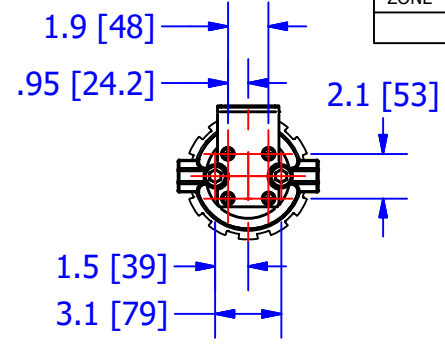
C

B

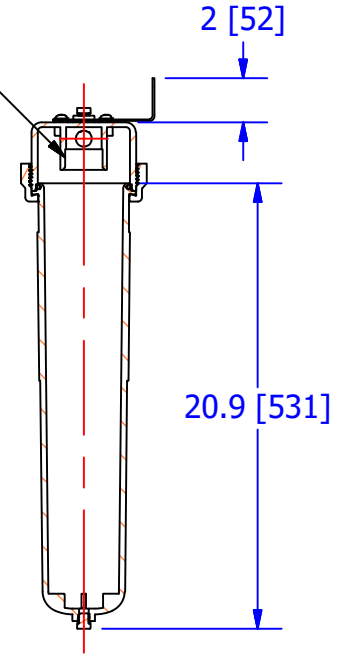
B

A

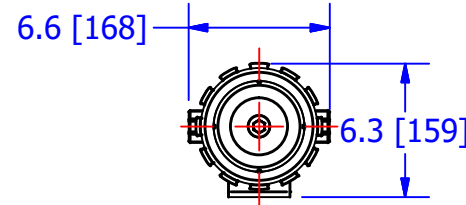
A



222 CARTRIDGE CONNECTION



SECTION A-A
SCALE 1 / 9

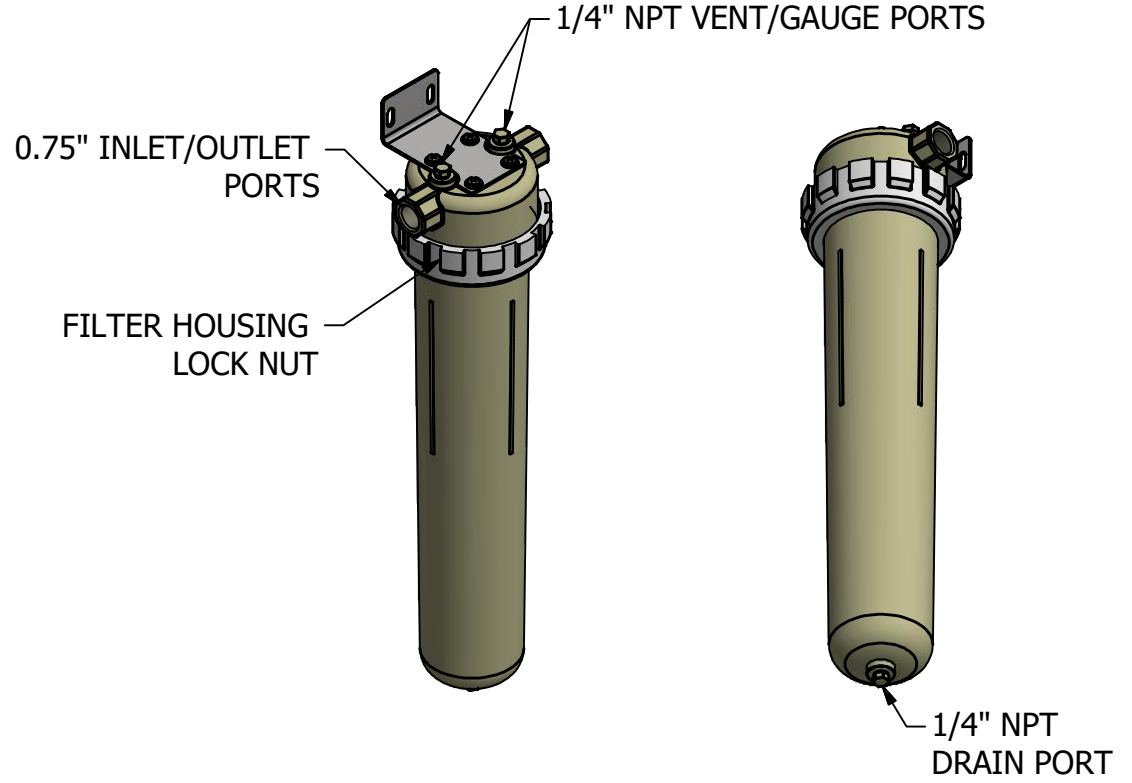
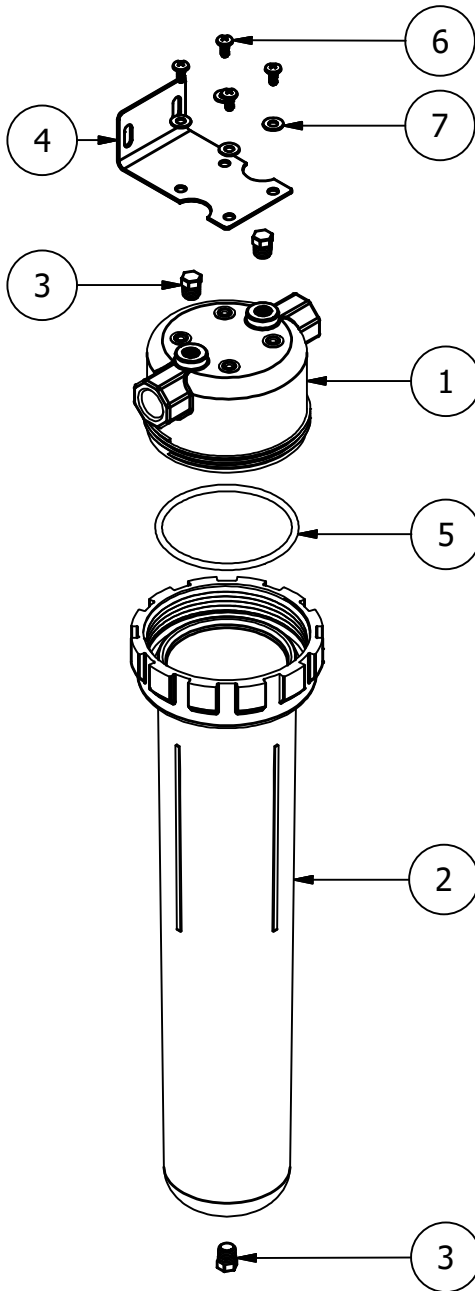


- NOTES:
- 1.0 ALL WETTED SURFACES: VIRGIN POLYPROPYLENE
ALL NON WETTED SURFACES: POLYPROPYLENE
 - 2.0 MAX OPERATING PRESSURE: 100 PSI [6.9 BAR] @125 °F [52 °C].
 - 3.0 INLET & OUTLET PORTS: 3/4 INCH FNPT
 - 4.0 BOWL CONNECTION: LOCK NUT
 - 5.0 VENT PORTS: 1/4 INCH FNPT
 - 6.0 GASKET MATERIALS AVAILABLE: VITON, EPDM, SILICONE, BUNA
 - 7.0 FILTER TYPE USED: 222 FLAT END
 - 8.0 ALL PLUGS, HARDWARE, AND BRACKETS ARE INCLUDED.

DRAWN YA Zanki CHECKED OS Ahmad APPROVED CD Morland 6/30/2020 6/30/2020 6/30/2020	6/30/2020 6/30/2020 6/30/2020	International Filter Products 7914 Ajay Dr. Sun Valley, CA 91352 PHONE: 818-504-8115 FAX: 818-941-2947 email: www.internationalfilterproducts.com
UNLESS OTHERWISE SPECIFIED DIMENSIONS ARE IN INCHES DECIMALS FRACTIONS +/- 1/16 X +/- .030 ANGLES +/- 1/2 XX +/- .015 SURFACE ROUGHNESS 125 XXX +/- .005 CONCENTRICITIES .010 (FIM) INTERNAL RADII .015~.030 BREAK CORNERS .005~.015		
TITLE FILTER, HSG, 20X0.75 INCH, 222, VPP		
SIZE A	ISOF NO	DWG NO PHV01020PTG
SCALE NA	WEIGHT 3.848 lbmass	SHEET 1 OF 2

THIS DOCUMENT IS FOR REFERENCE ONLY AND IS PROPRIETARY INFORMATION BELONGING TO INTERNATIONAL FILTER PRODUCTS UNAUTHORIZED COPIES OR USE FOR OTHER PURPOSES STRICTLY PROHIBITED.

REVISIONS				
ZONE	REV	DESCRIPTION	DATE	APPROVED
	-	SALES DRAWING	6/30/2020	CD Morland



ITEM	PART NUMBER	DESCRIPTION	QTY
7	IFP-10C-3006	WASHER, FLAT, 0.25, SS	4
6	IFP-10C-1922	SCREW, PHILL 0.25-20X.5L, SS	4
5	IFP-09V-0026	SEAL, O-RING, 345, VITON	1
4	PHV010-BK	BRACKET, FILTER HSG, 10-20 INCH, 304 SS	1
3	IFP-04T-0262	FITTING, PLUG, .25MNPT, PP	3
2	PHV01020P-B	FILTER, HSG, BOWL, 20 INCH	1
1	PHV010XXPTG	FILTER, HSG, HEAD, 0.75 INCH FNPT, PP	1

BILL OF MATERIALS

DRAWN YA Zanki 6/30/2020 CHECKED OS Ahmad 6/30/2020 APPROVED CD Morland 6/30/2020	7914 Ajay Dr. Sun Valley, CA 91352 PHONE: 818-504-8115 FAX: 818-941-2947 email: www.internationalfilterproducts.com	International Filter Products TITLE FILTER, HSG, 20X0.75 INCH, 222, VPP SIZE A ISOF NO DWG NO PHV01020PTG REV - SCALE NA WEIGHT 3.848 lbmass SHEET 2 OF 2
---	---	---

UNLESS OTHERWISE SPECIFIED DIMENSIONS ARE IN INCHES
 DECIMALS FRACTIONS +/- 1/16
 X +/- .030 ANGLES +/- 1/2
 XX +/- .015 SURFACE ROUGHNESS 125
 XXX +/- .005
 CONCENTRICITIES .010 (FIM)
 INTERNAL RADII .015~.030
 BREAK CORNERS .005~.015